

[54] BAITCAST FISHING REEL

[75] Inventors: Richard J. Robbins, Derby, Kans.; Steven W. Vogts, Broken Arrow, Okla.

[73] Assignee: Zebco Corporation, Tulsa, Okla.

[\*\*] Term: 14 Years

[21] Appl. No.: 304,334

[22] Filed: Jan. 31, 1989

[52] U.S. Cl. .... D22/140

[58] Field of Search ..... D22/140; 242/257-260, 242/261, 279

[56] References Cited

U.S. PATENT DOCUMENTS

- D. 284,209 6/1986 Iwama et al. .... D22/140
- D. 290,635 6/1987 Nakamura ..... D22/140
- D. 291,473 8/1987 Nakamura ..... D22/140
- D. 294,380 2/1988 Robbins et al. .... D22/140

- D. 299,511 1/1989 Kameda et al. .... D22/140
- D. 308,406 6/1990 Robbins ..... D22/140

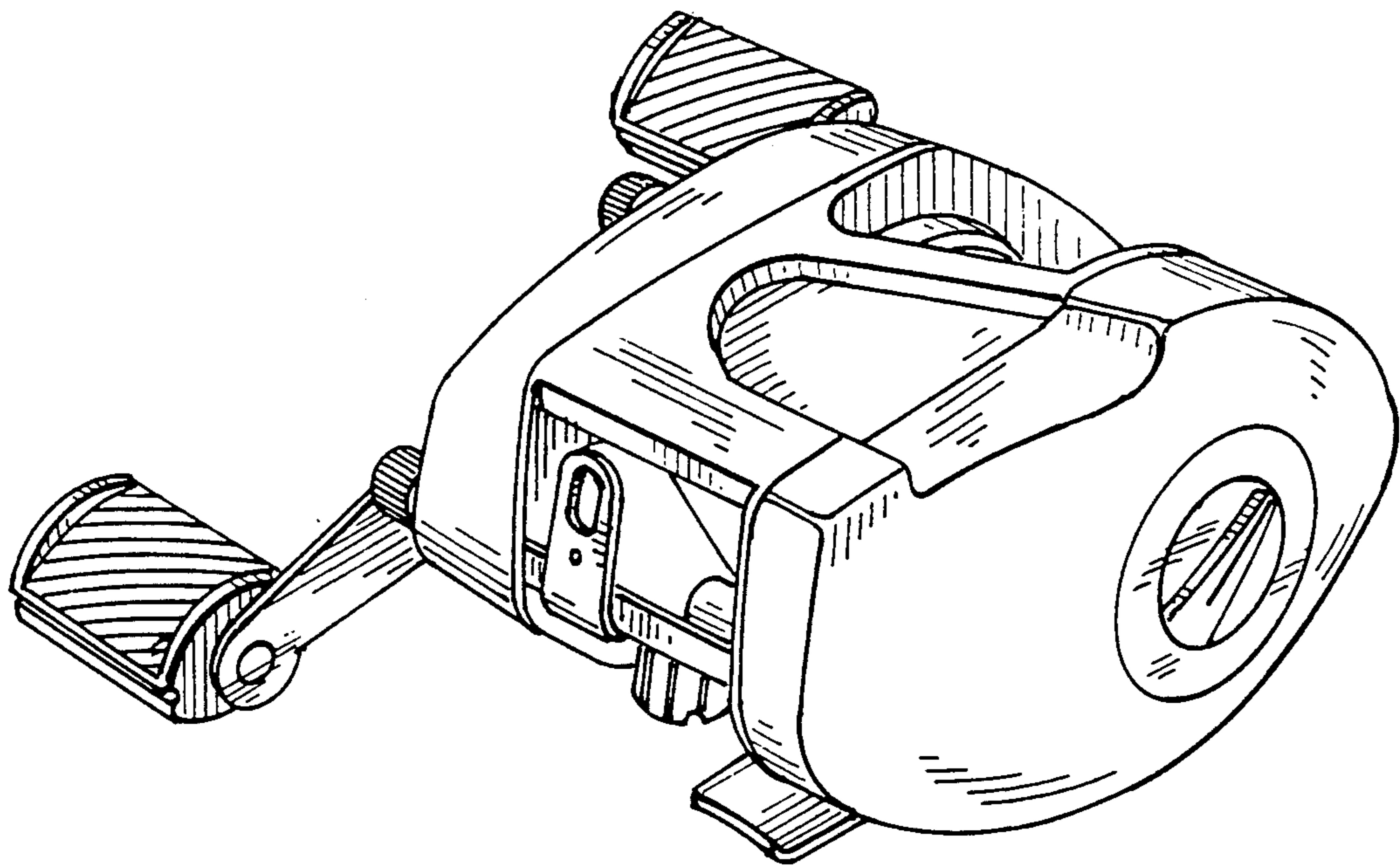
Primary Examiner—A. Hugo Word  
Assistant Examiner—Doris V. Coles  
Attorney, Agent, or Firm—Wood, Phillips, Mason, Recktenwald & Van Santen

[57] CLAIM

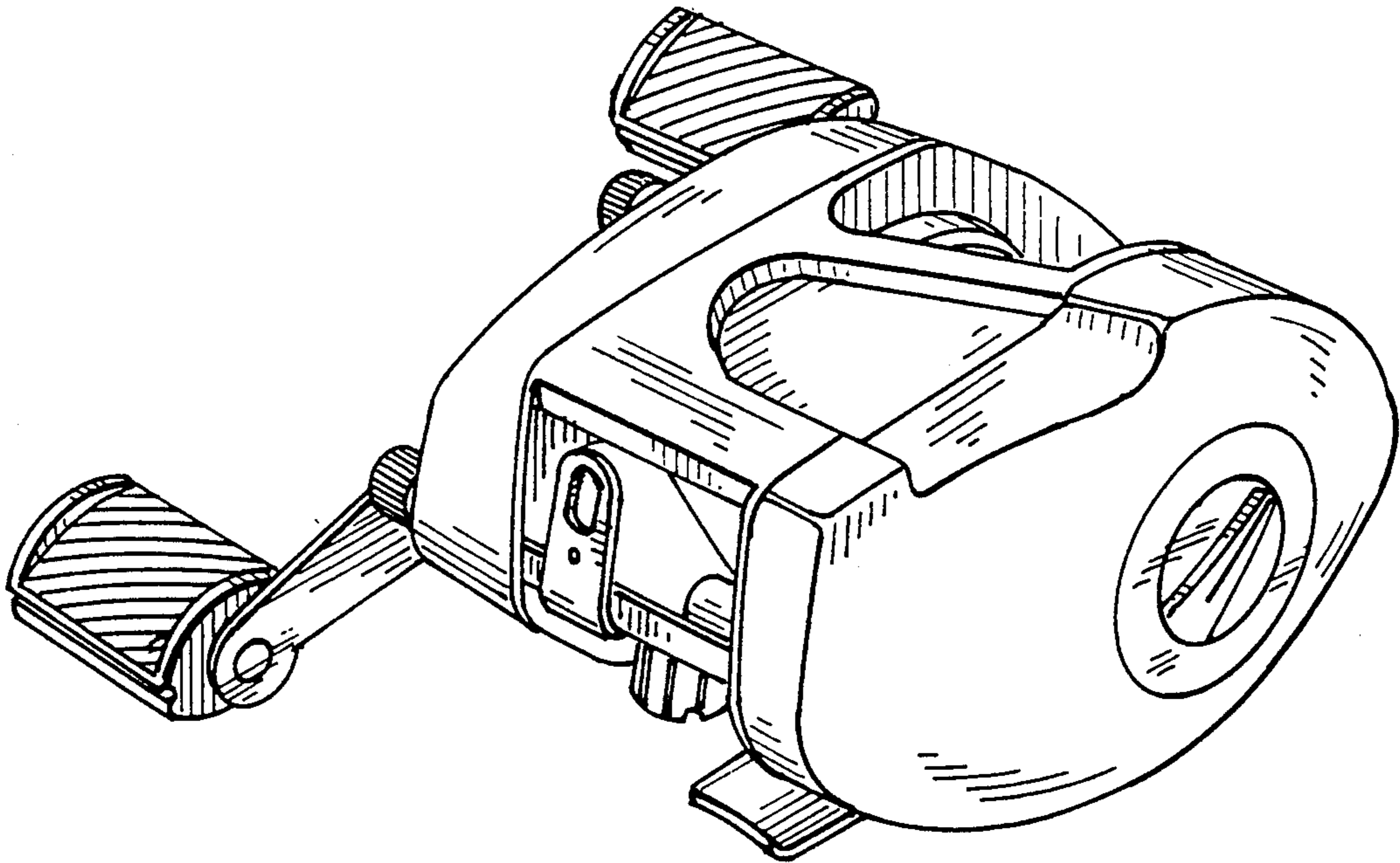
The ornamental design of a baitcast fishing reel, as shown and described.

DESCRIPTION

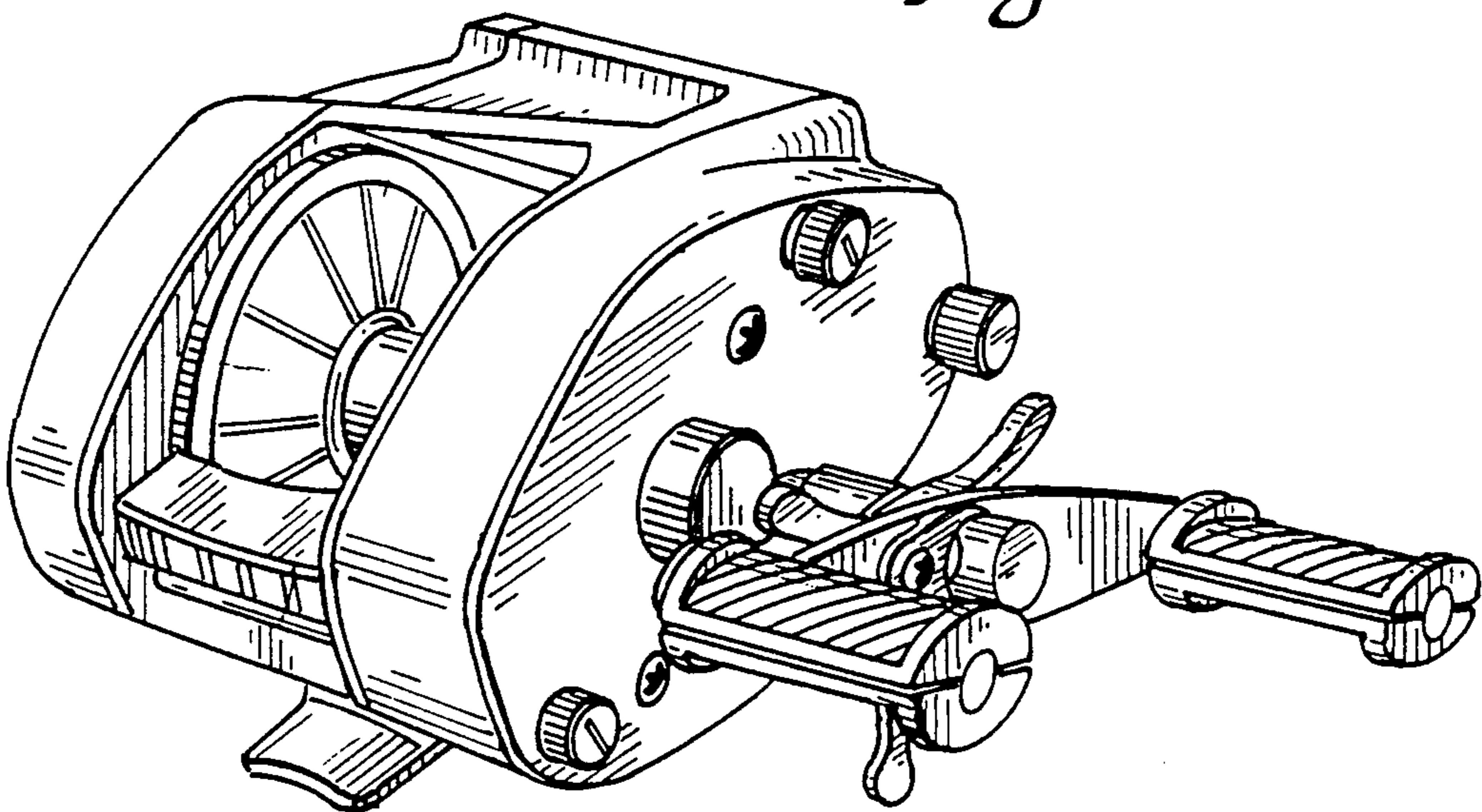
FIG. 1 is a perspective view of a front and side portion a baitcast fishing reel showing our new design; FIG. 2 is a perspective view of the rear and side thereof; FIG. 3 is a side elevational view thereof; FIG. 4 is the opposite side elevational view thereof; FIG. 5 is a front elevational view thereof; FIG. 6 is a rear elevational view thereof. FIG. 7 is a top plan view thereof; and FIG. 8 is a bottom plan view thereof.

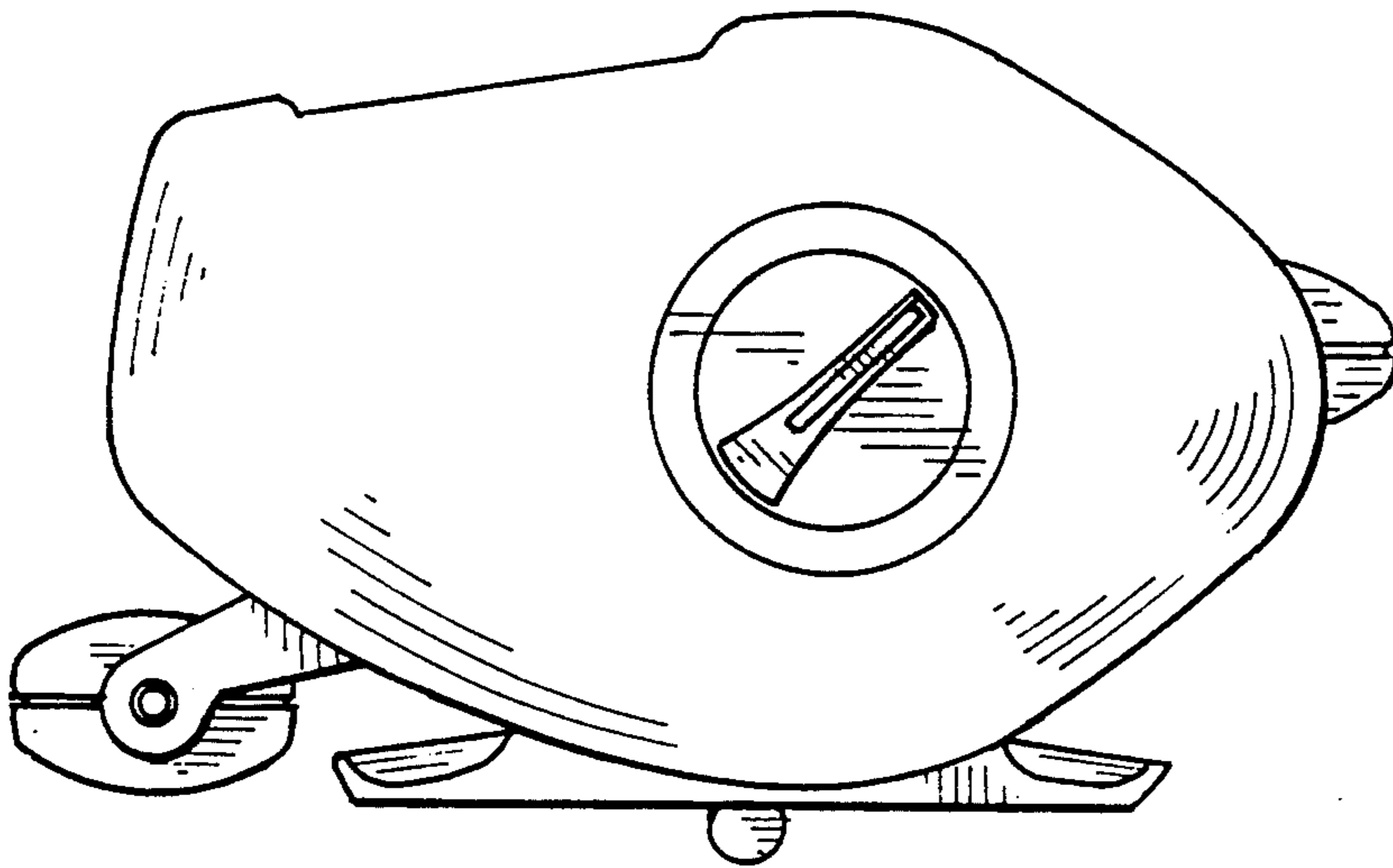


*Fig. 1*

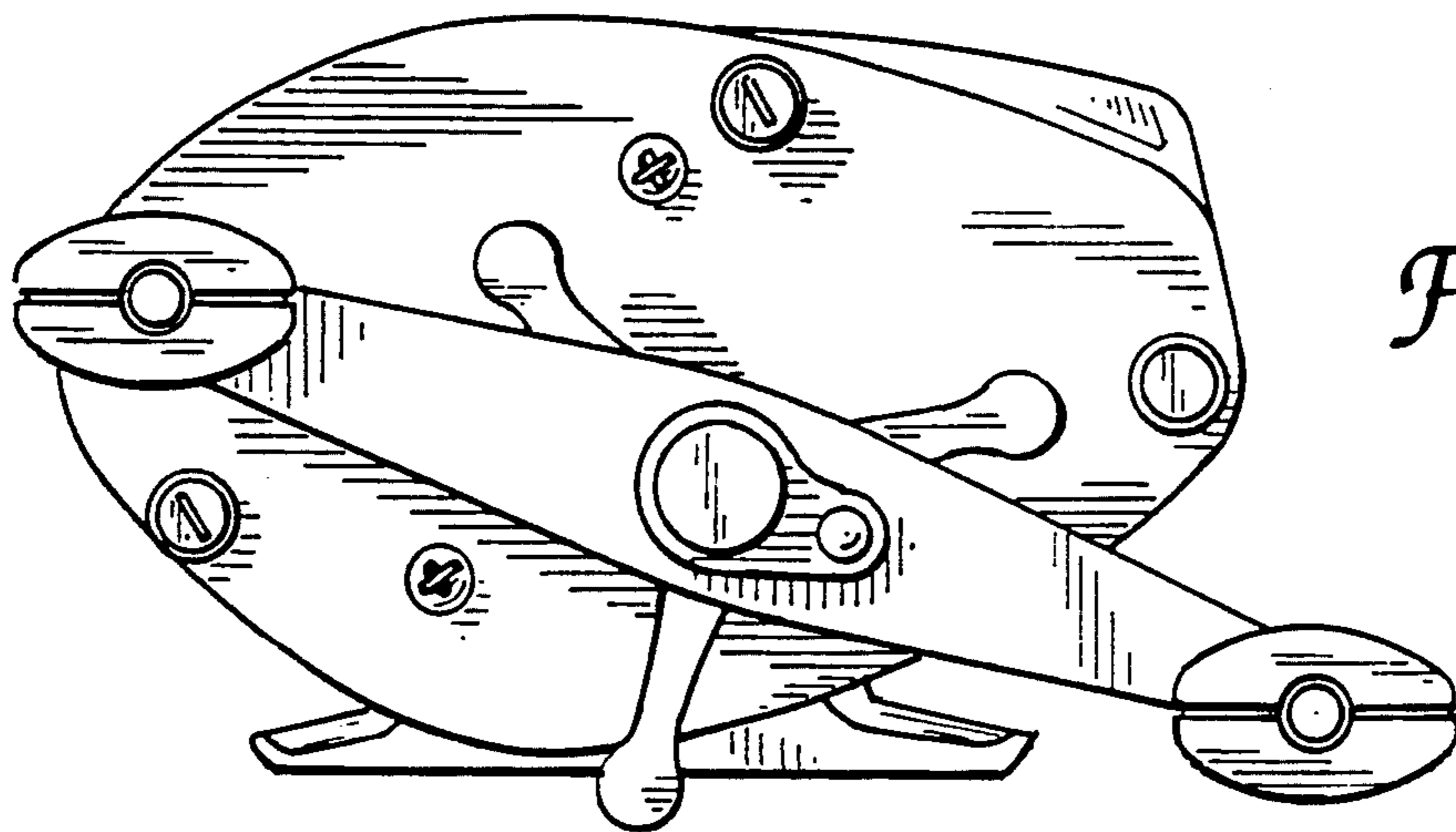


*Fig. 2*



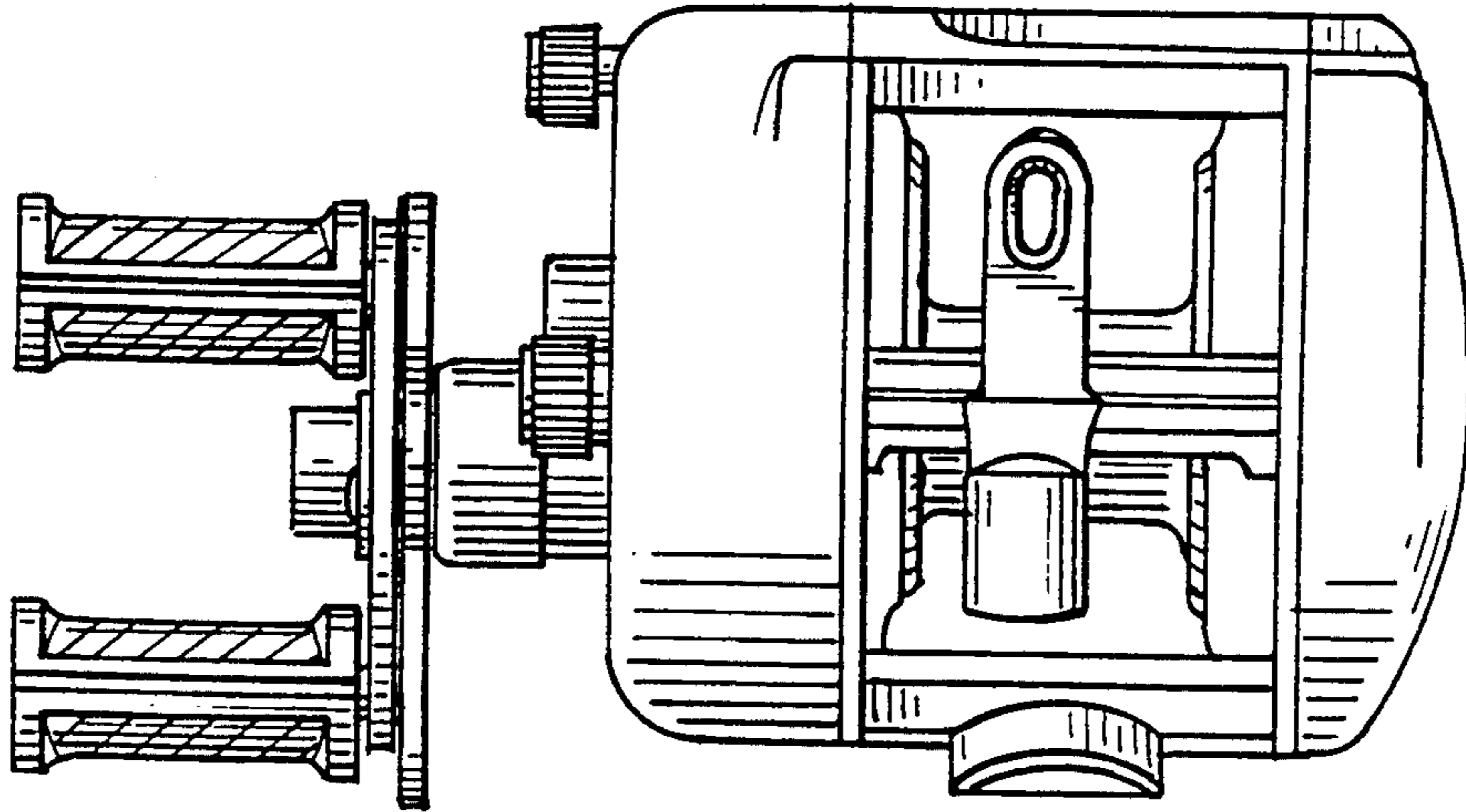


*Fig. 3*

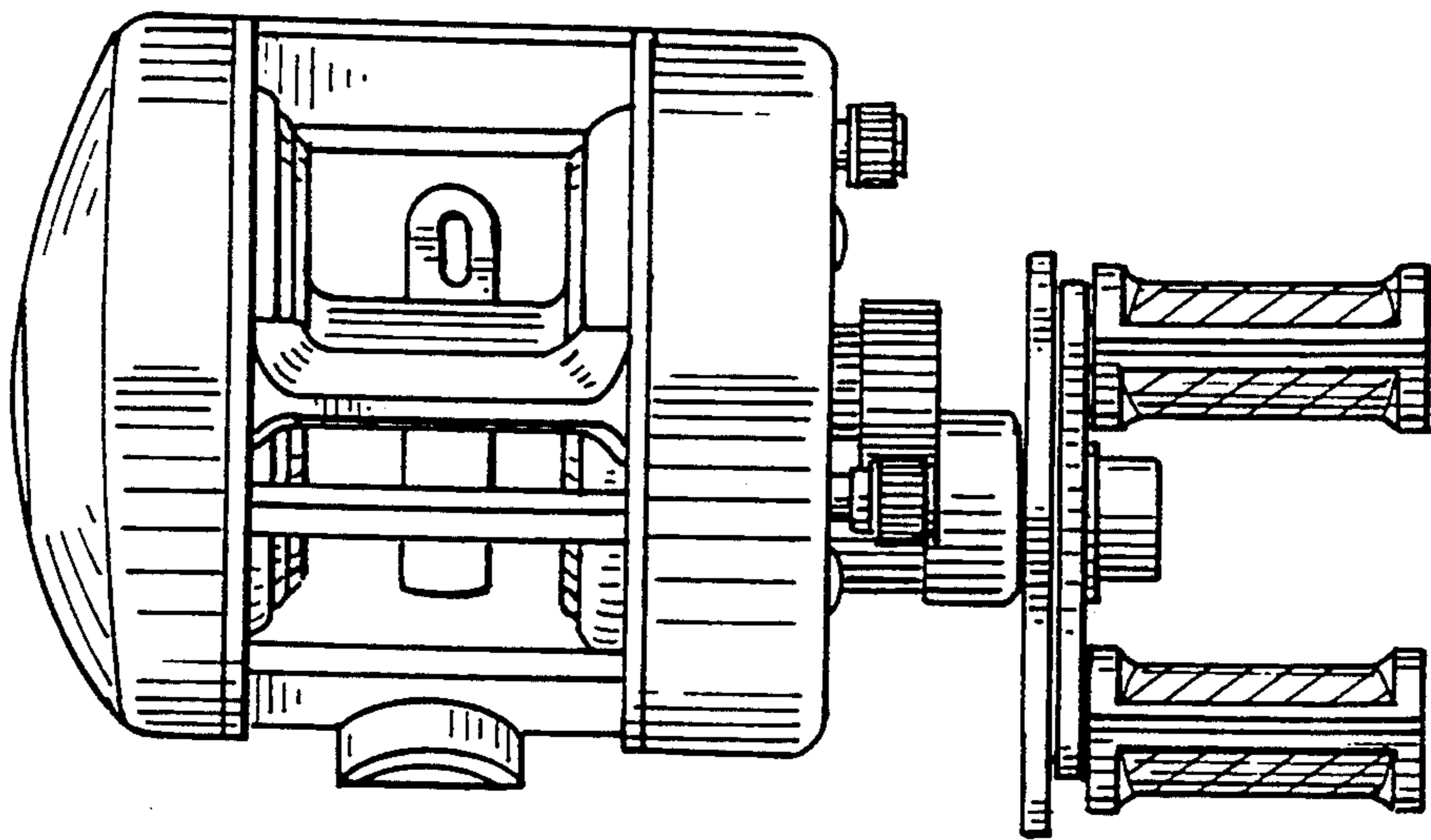


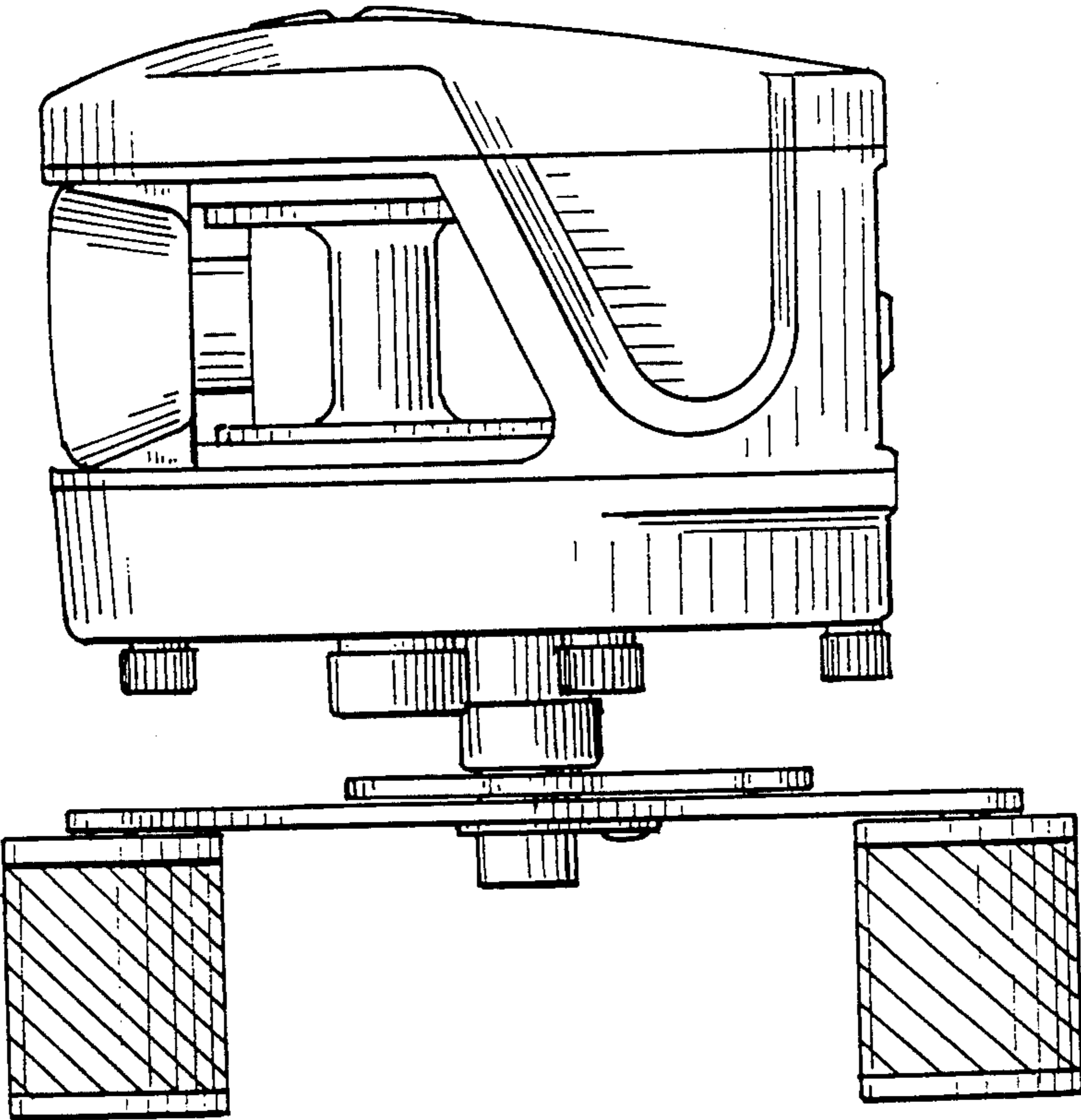
*Fig. 4*

*Fig. 5*

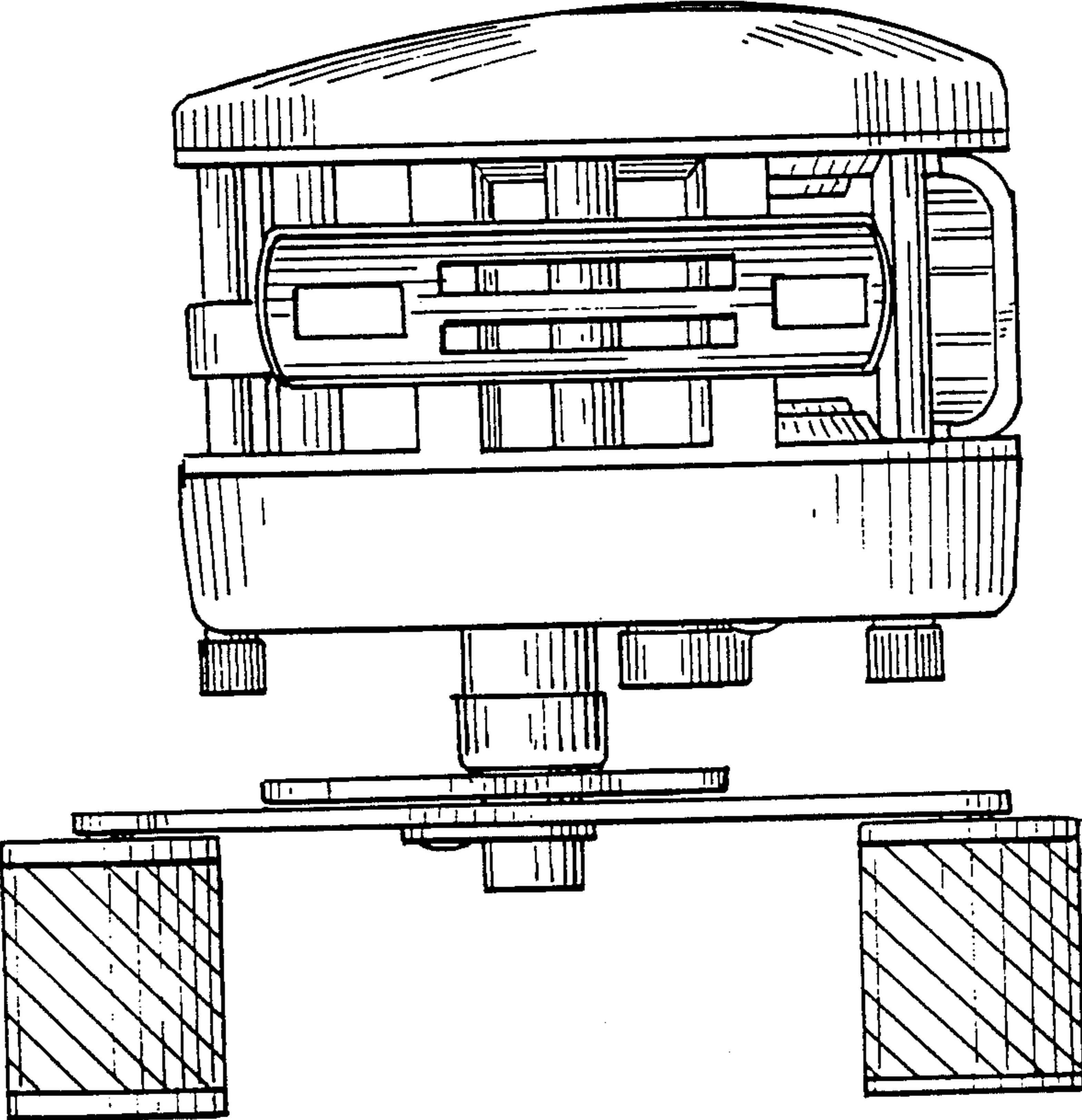


*Fig. 6*





*Fig. 7*



*Fig. 8*