

[54] MOUSE TRAP

[75] Inventor: Dennis Lumsden, Auckland, New Zealand

[73] Assignee: Podbore PTY Limited, Southport, Australia

[**] Term: 14 Years

[21] Appl. No.: 576,186

[22] Filed: Aug. 27, 1990

FOREIGN PATENT DOCUMENTS

338761 7/1921 Fed. Rep. of Germany 43/85

Primary Examiner—A. Hugo Word
Assistant Examiner—Doris V. Coles
Attorney, Agent, or Firm—Fleit, Jacobson, Cohn, Price, Holman & Stern

[57] CLAIM

The ornamental design for a mouse trap, as shown and described.

Related U.S. Application Data

[63] Continuation of Ser. No. 162,584, Mar. 1, 1988, abandoned.

[30] Foreign Application Priority Data

Sep. 1, 1987 [NZ] New Zealand 21421

[52] U.S. Cl. D22/119

[58] Field of Search D22/119; 43/58, 60, 43/61, 69, 62, 81, 81.5, 82, 83, 83.5, 77, 85

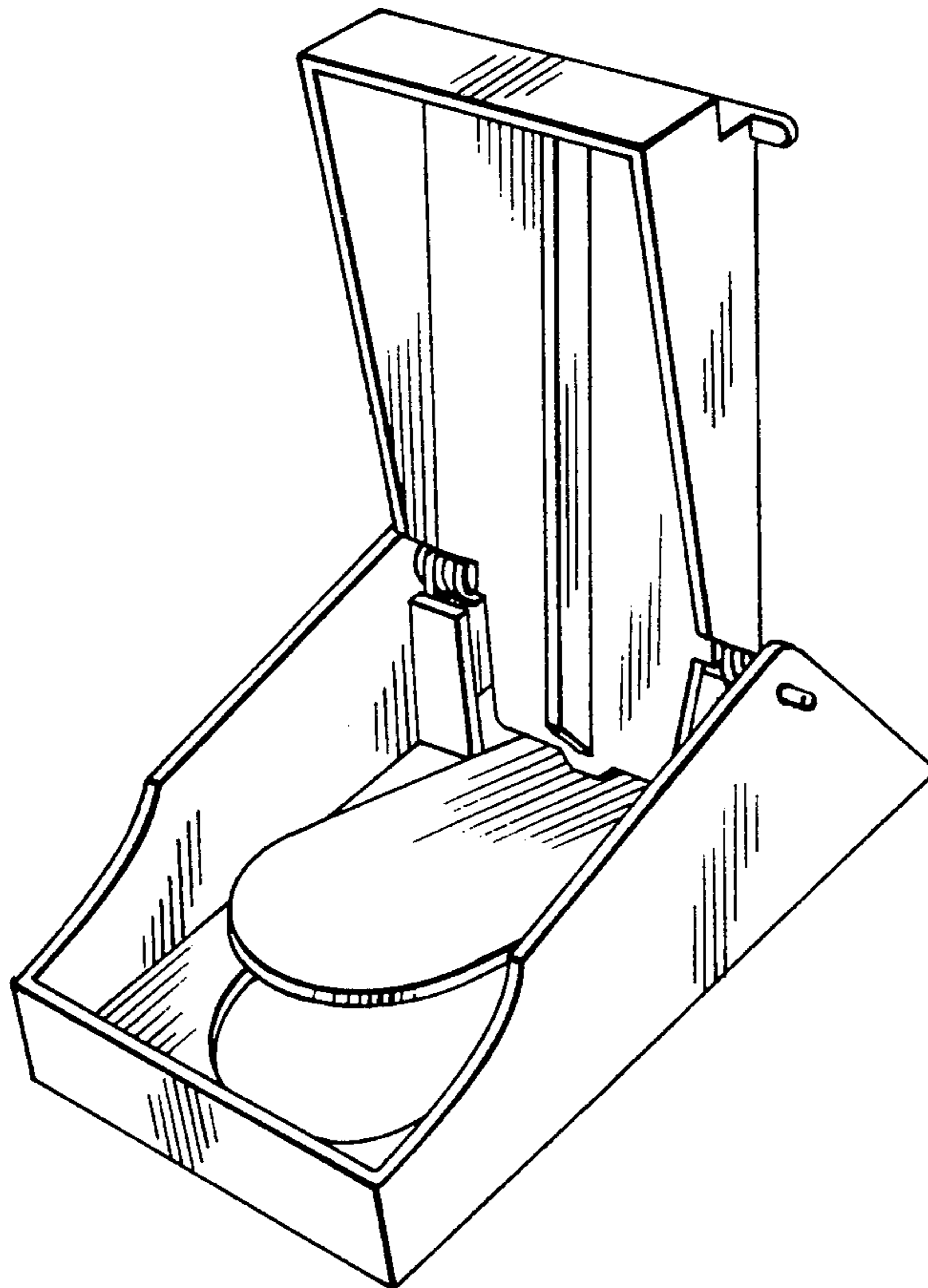
[56] References Cited

U.S. PATENT DOCUMENTS

1,798,541	3/1931	Kleffman	43/83
2,258,549	10/1941	Drake	43/83
4,232,472	11/1980	Muelling	43/61
4,578,893	4/1986	Wickenberg	43/77

DESCRIPTION

FIG. 1 is a top plan view of a mouse trap, in the closed position, showing my new design;
FIG. 2 is a bottom plan view thereof;
FIG. 3 is a side elevational view in the closed position, the opposite side being a mirror image thereof;
FIG. 4 is a front elevational view thereof;
FIG. 5 is a side elevational view thereof in the open position, the opposite side being a mirror image thereof;
FIG. 6 is a front elevational view thereof in the open position;
FIG. 7 is a rear perspective view thereof in the closed position;
FIG. 8 is a rear perspective view thereof in the open position; and
FIG. 9 is a top front perspective view thereof.



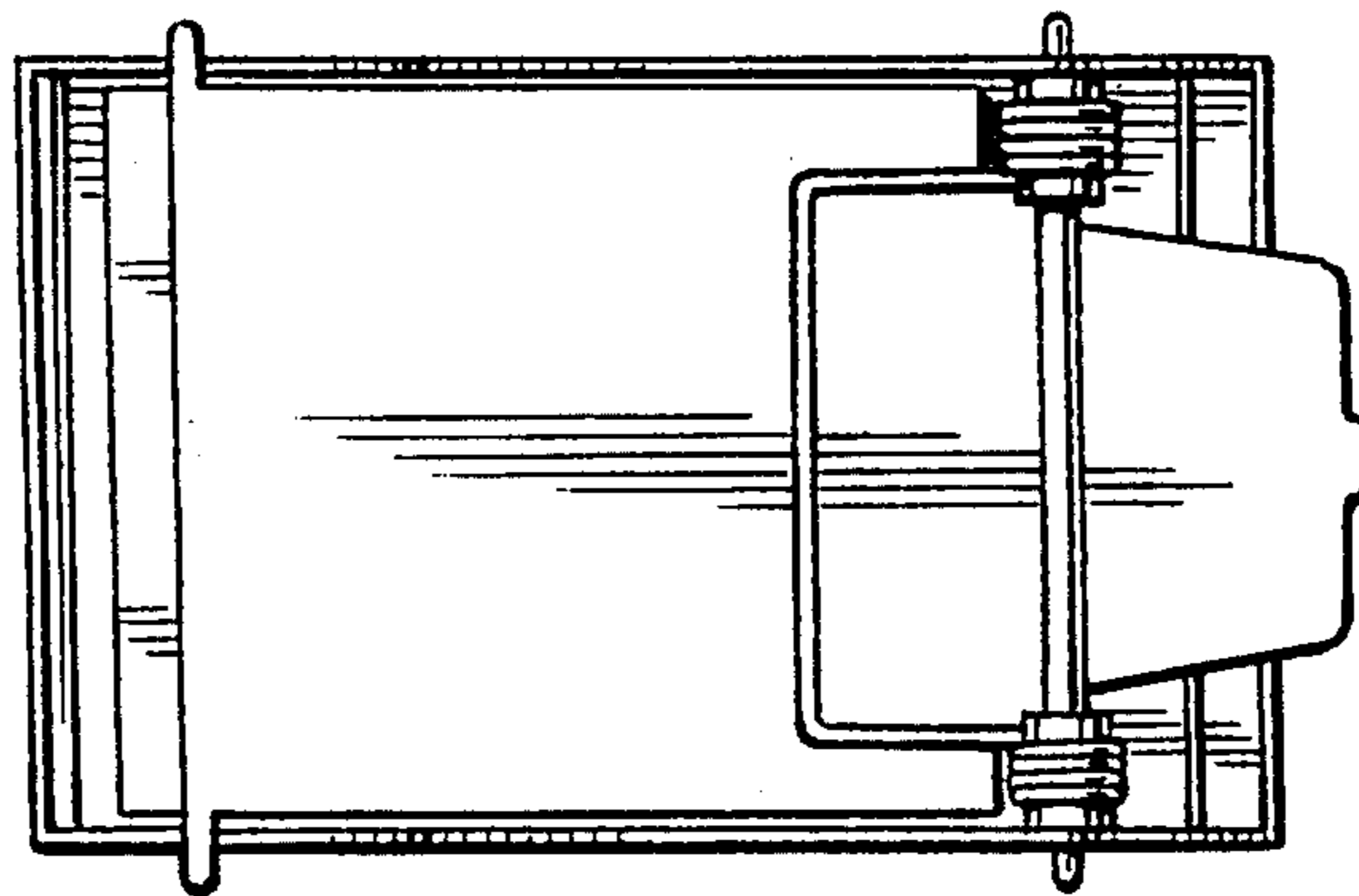


FIG. 1

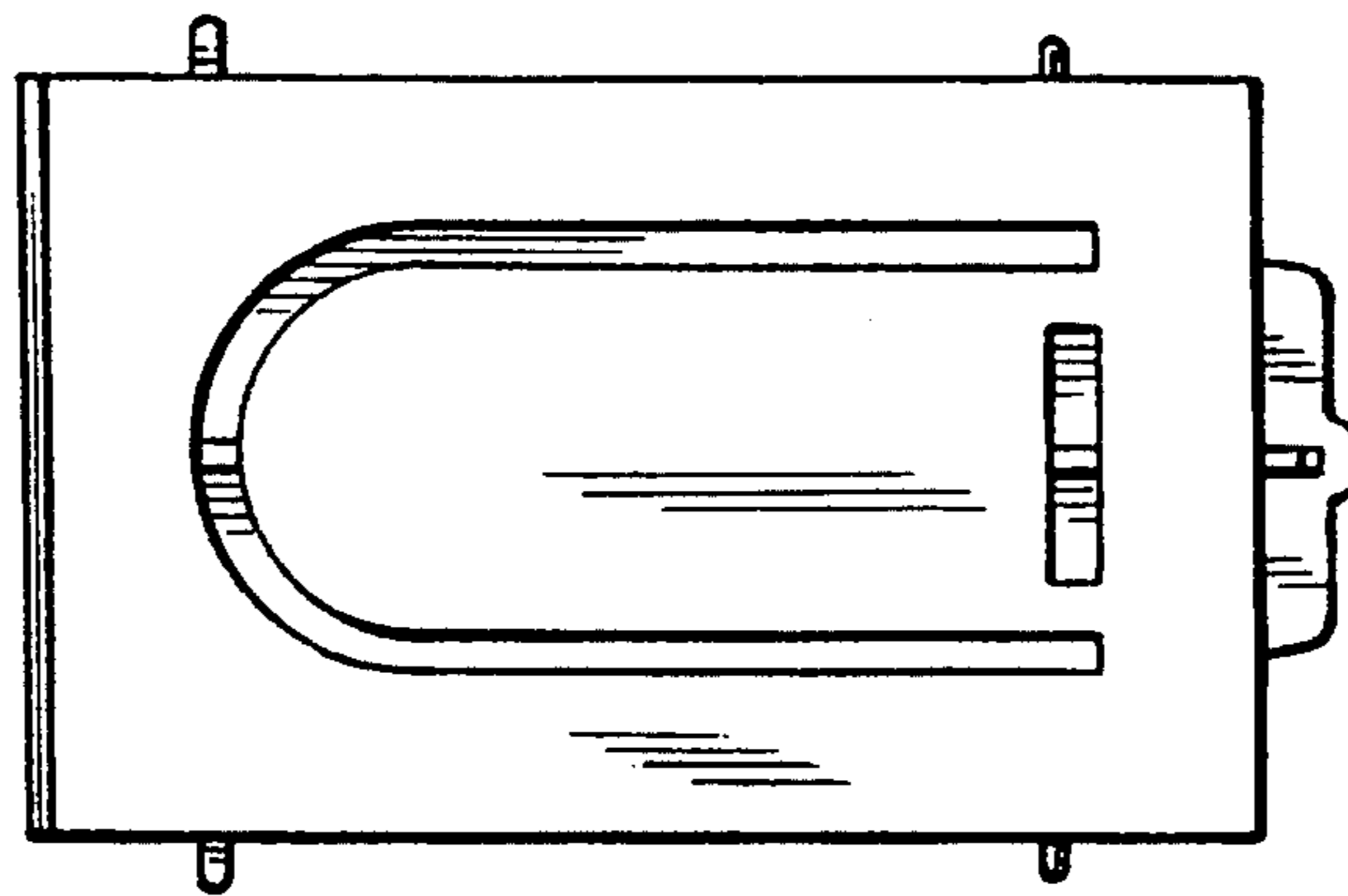


FIG. 2

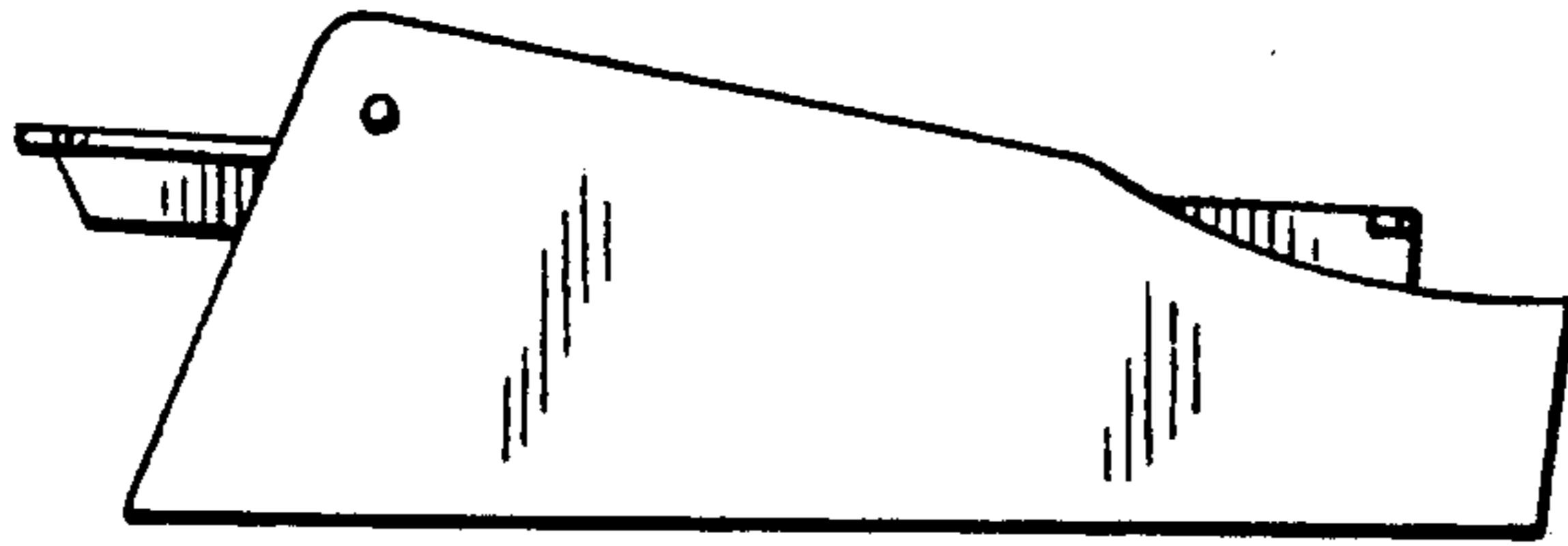


FIG. 3

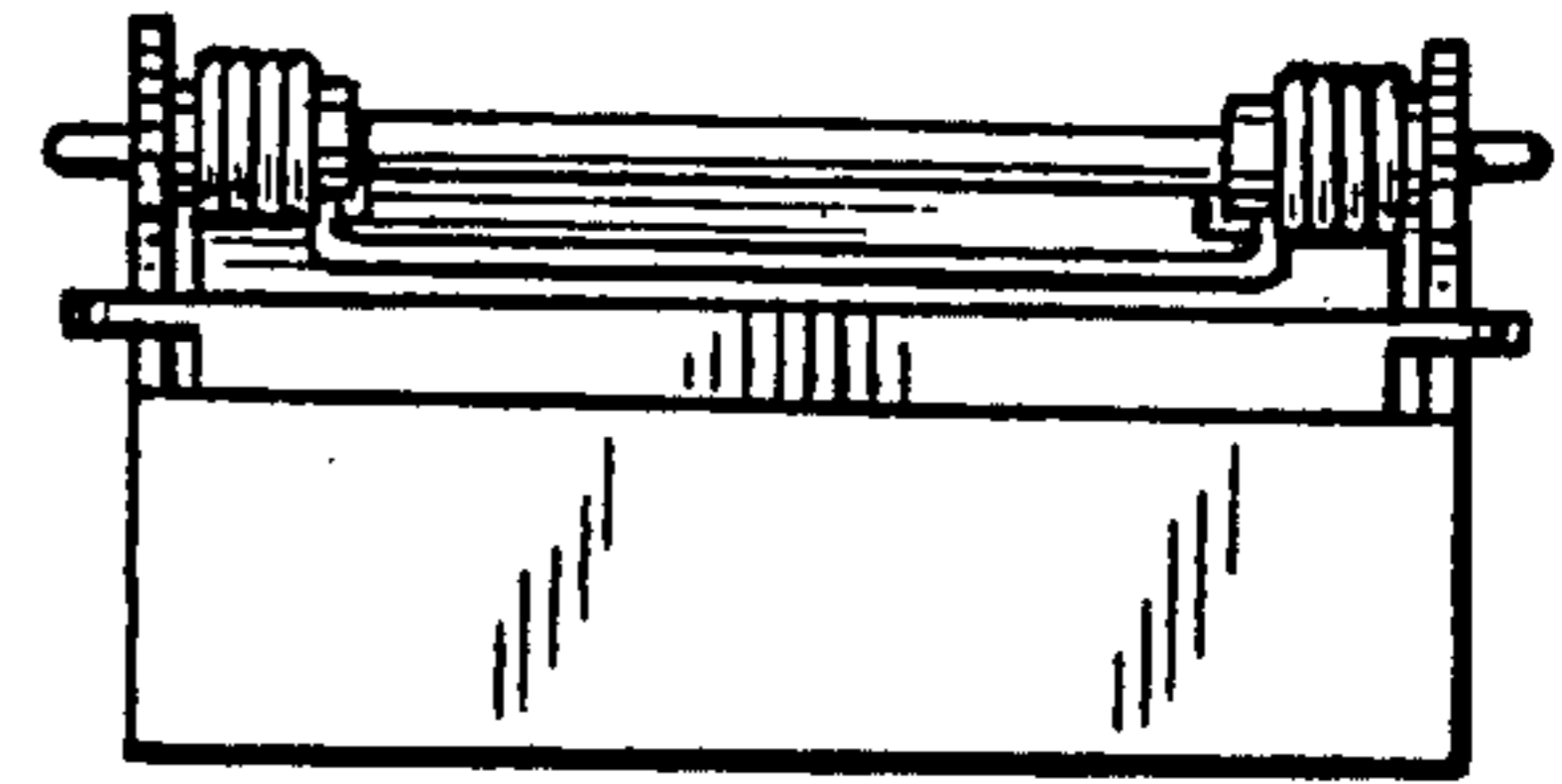


FIG. 4

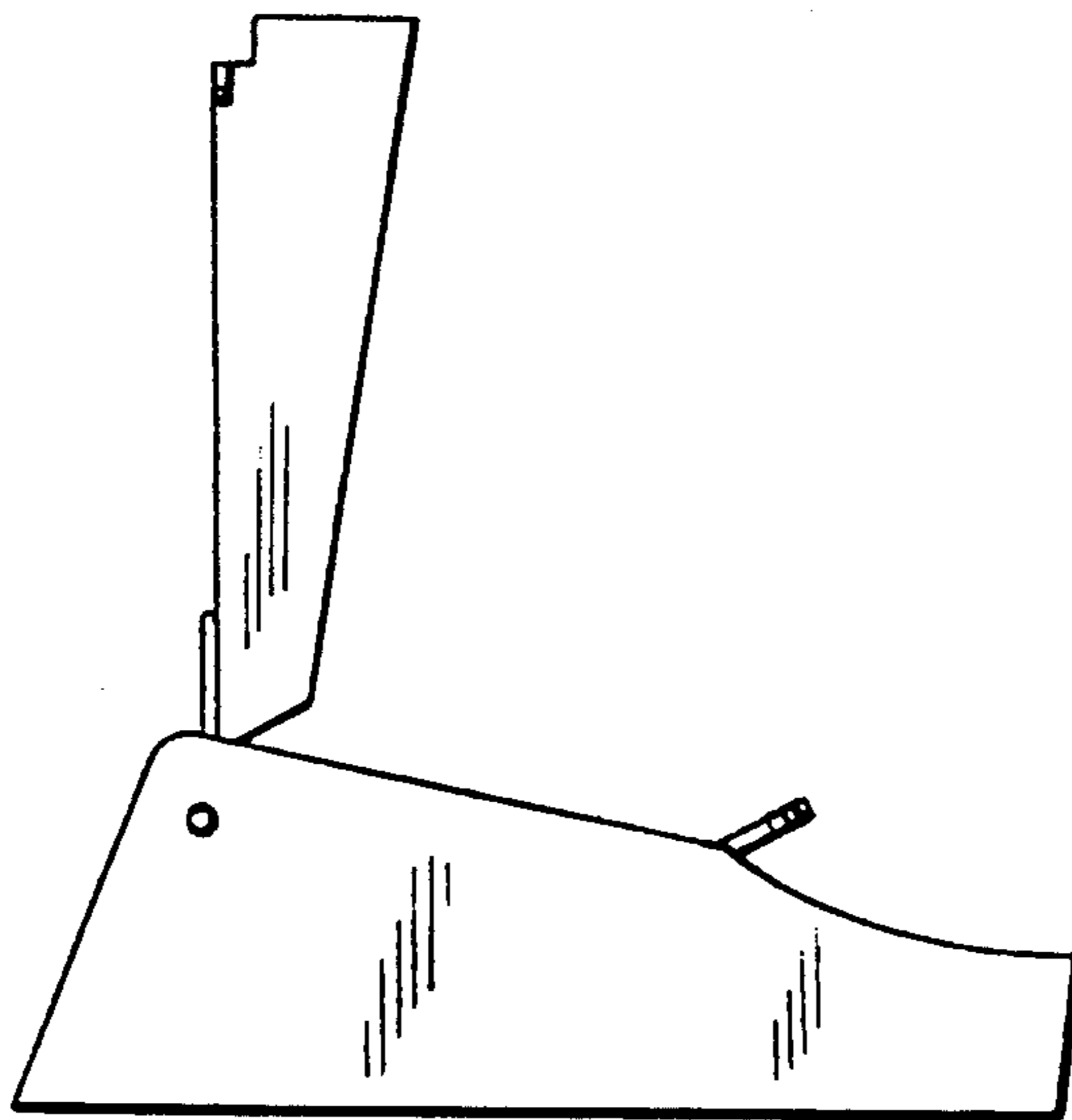


FIG. 5

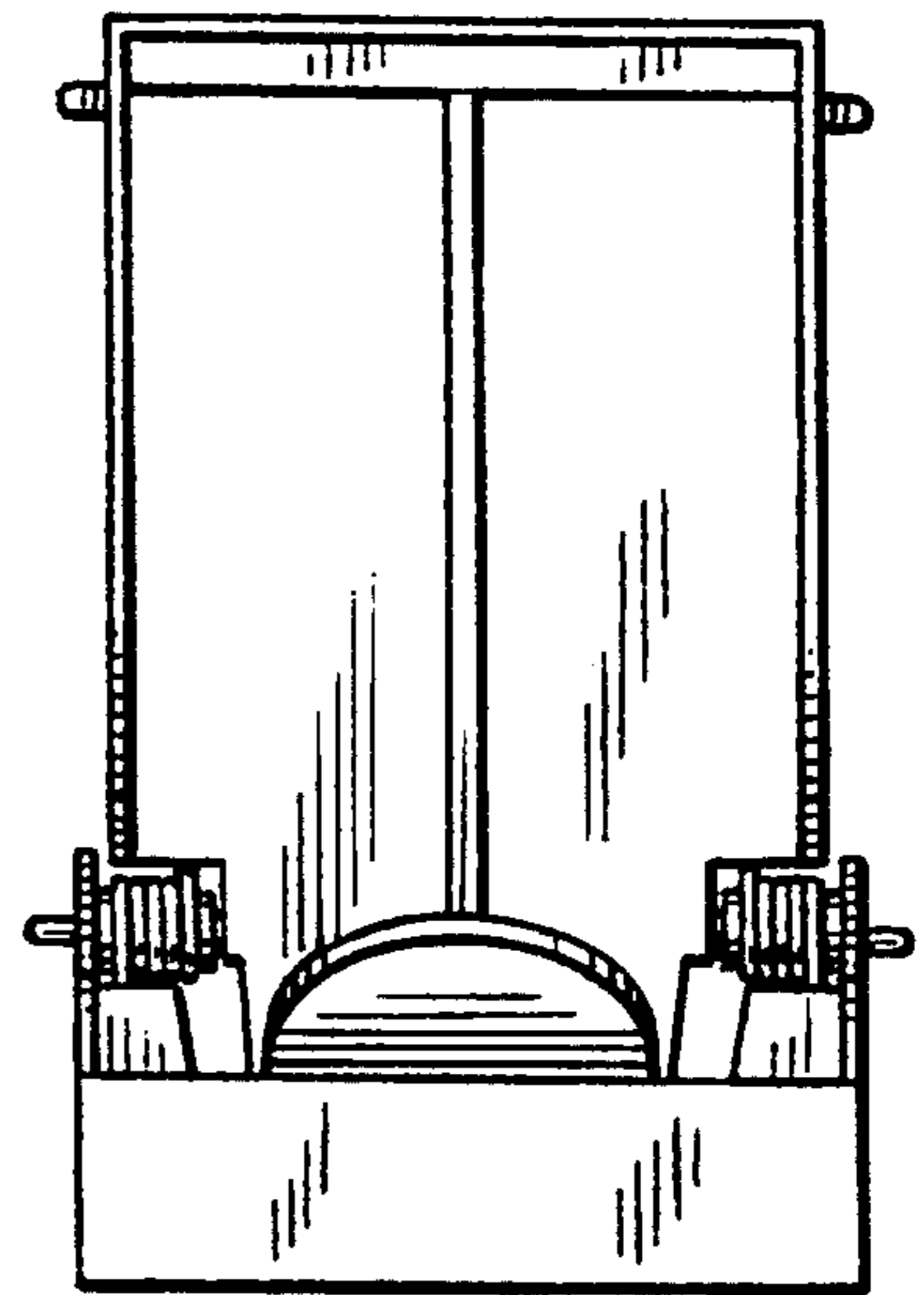


FIG. 6

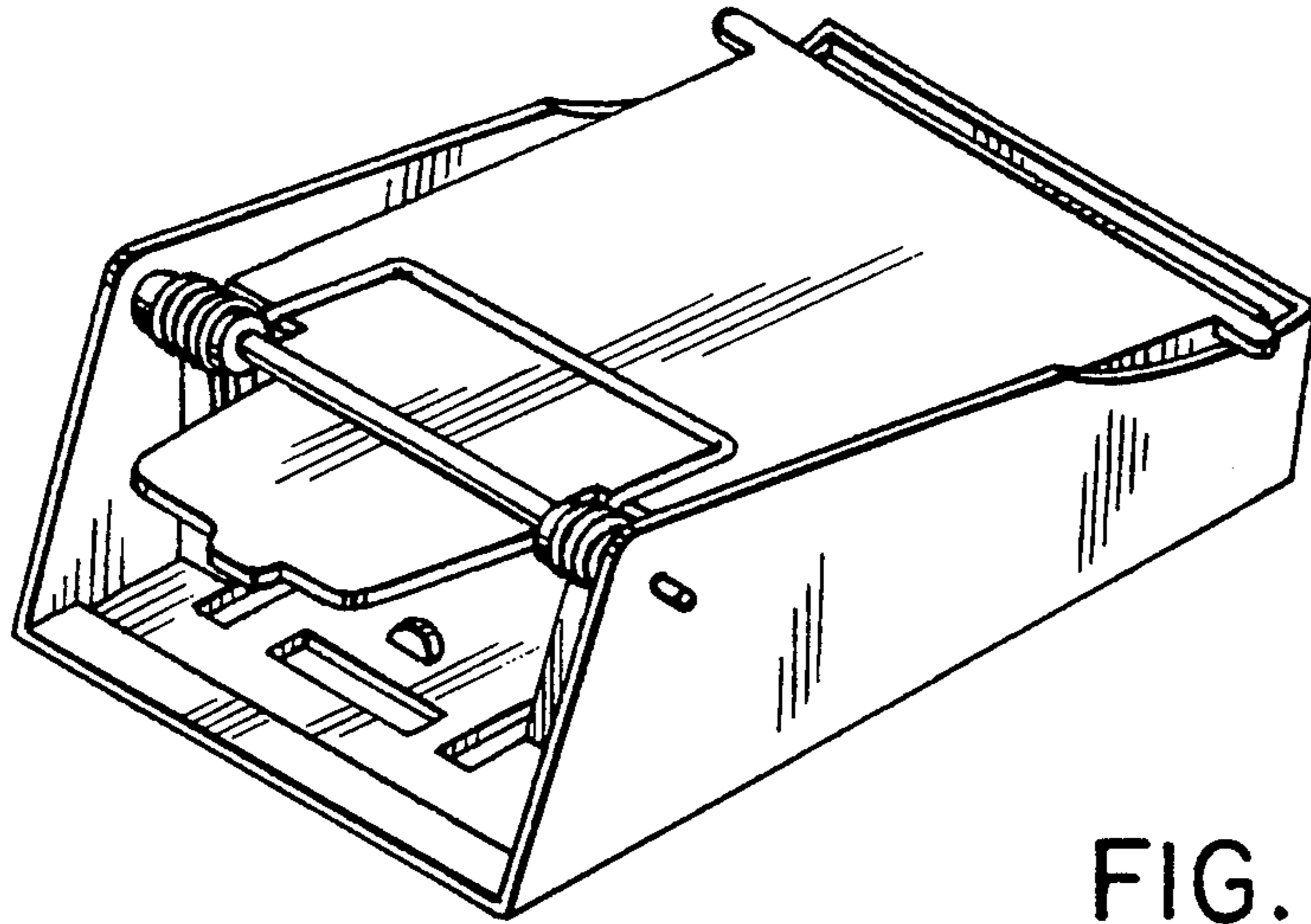


FIG. 7

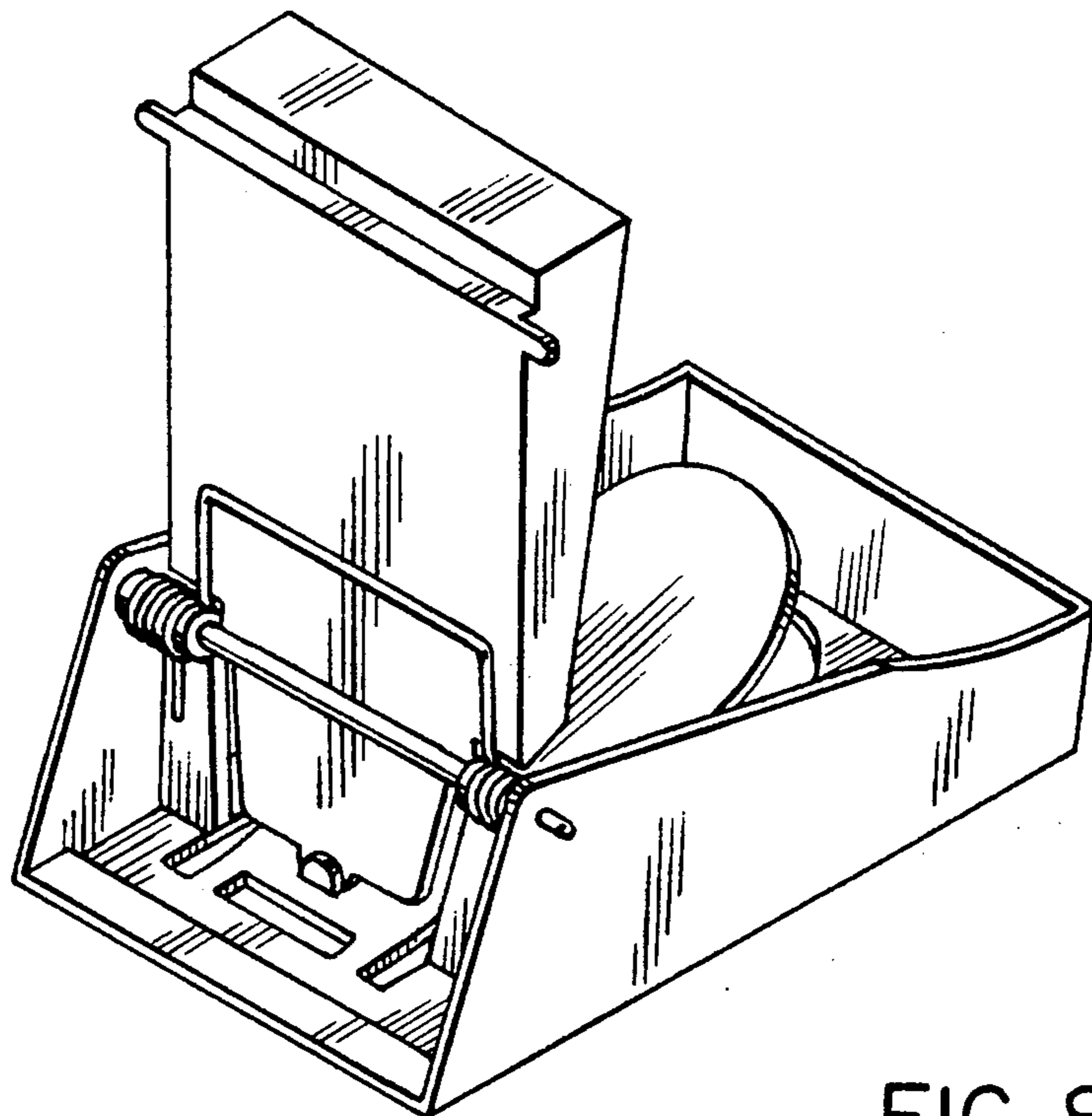


FIG. 8

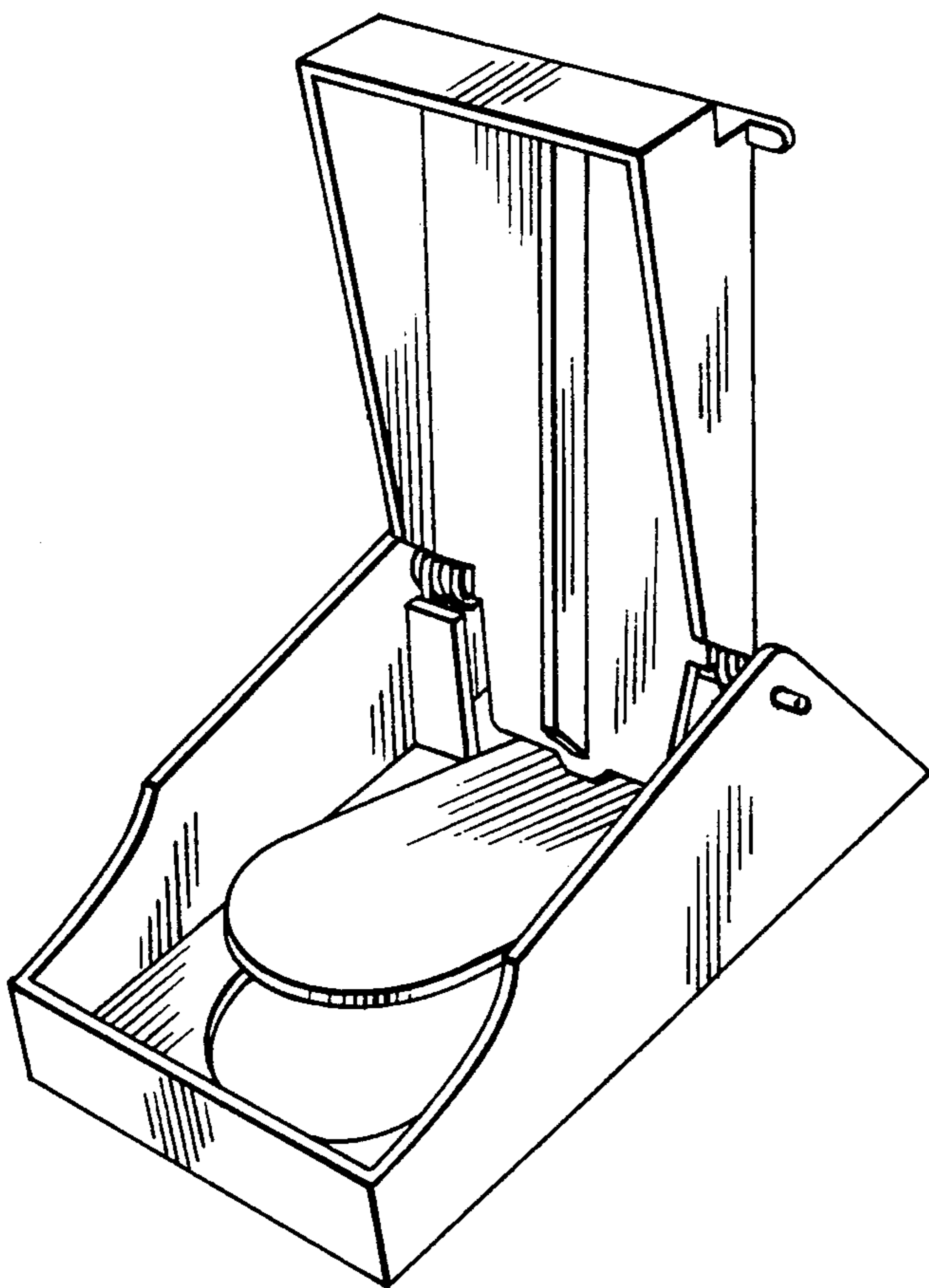


FIG. 9