

[54] GOLF COURSE HOLE MARKER

[76] Inventor: Willie H. Stephens, 4420 Point Degada, Oceanside, Calif. 92054

[**] Term: 14 Years

[21] Appl. No.: 326,264

[22] Filed: Mar. 21, 1989

[52] U.S. Cl. D21/234; D20/41

[58] Field of Search D21/234; D20/41; 40/606, 607; 273/DIG. 26

[56] References Cited

U.S. PATENT DOCUMENTS

D. 116,338 8/1939 Gist D20/41

D. 246,864 1/1978 Genova D21/234
D. 265,746 8/1982 Robillard D20/41
D. 312,291 11/1990 Blasbalg D21/234

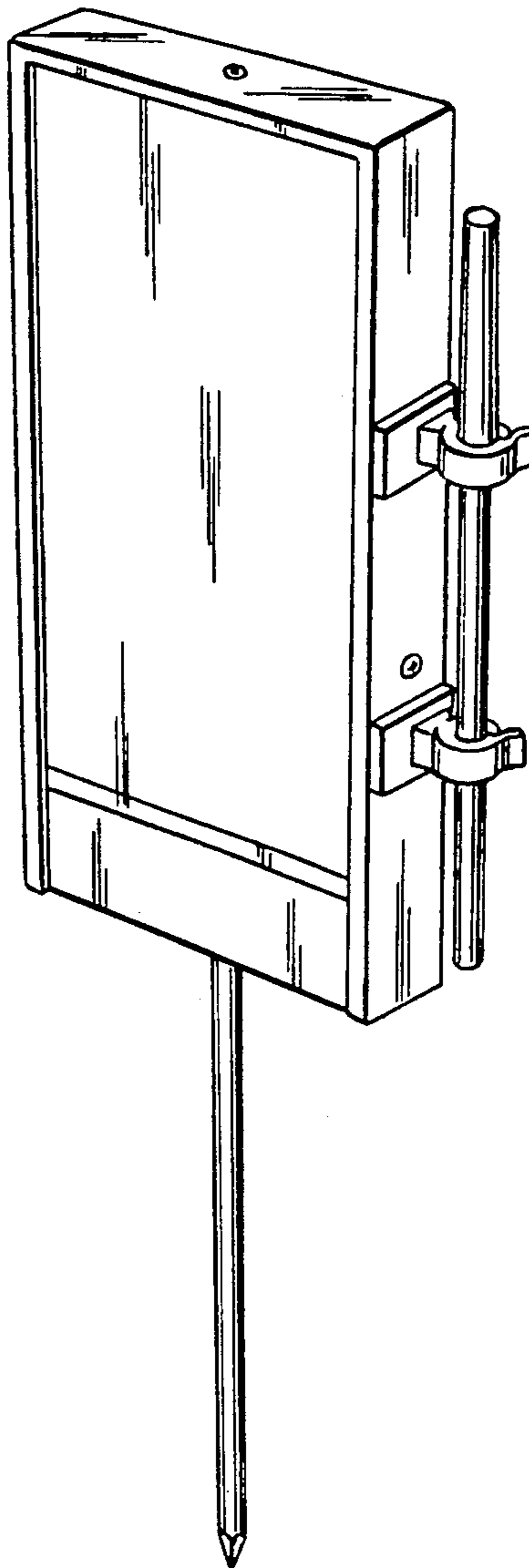
Primary Examiner—Melvin B. Feifer
Attorney, Agent, or Firm—Duane C. Bowen

[57] CLAIM

The ornamental design for golf course hole marker, as shown.

DESCRIPTION

FIG. 1 is a perspective view of a golf course hole marker showing my new design; FIG. 2 is a perspective view taken oppositely to FIG. 1; FIG. 3 is a reduced front elevational view thereof; FIG. 4 is a right end elevational view thereof; and FIG. 5 is a rear elevational view thereof.



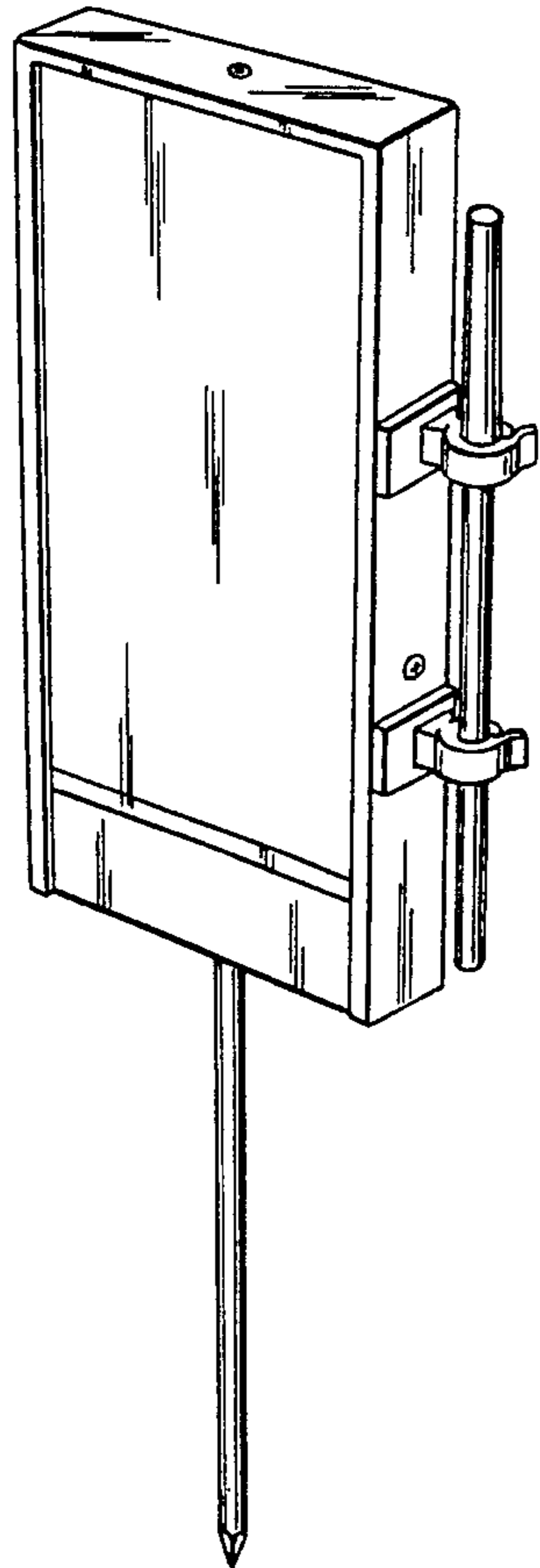


Fig. 1

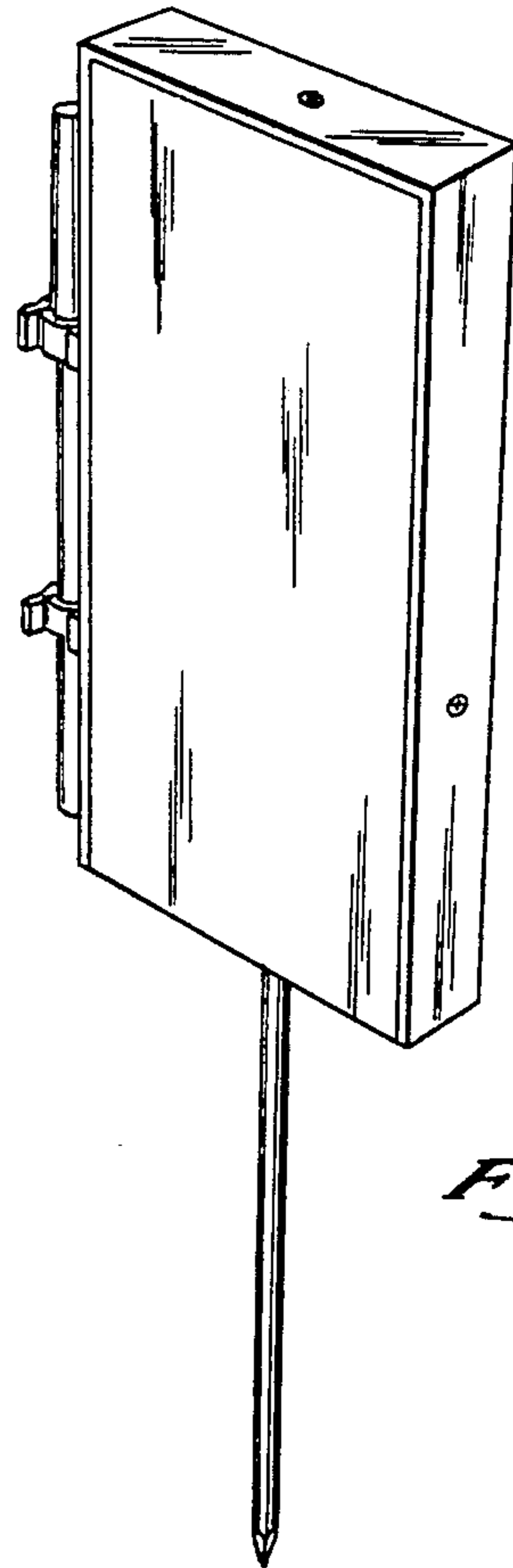


Fig. 2

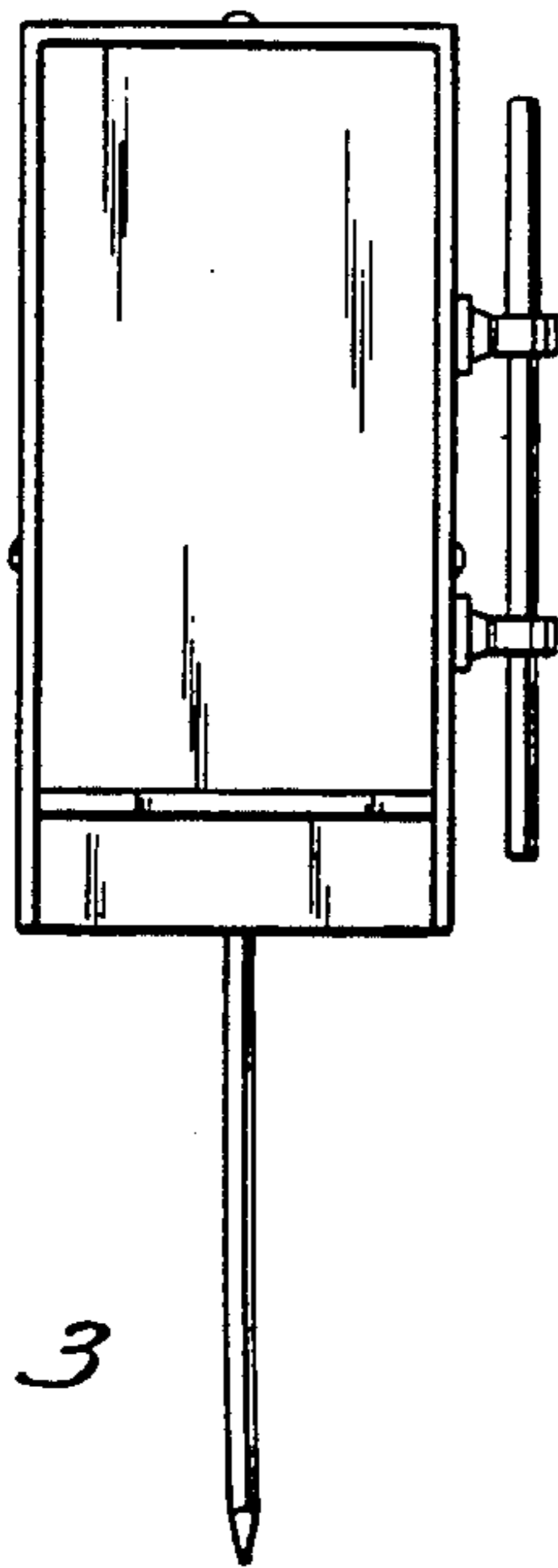


Fig. 3



Fig. 4

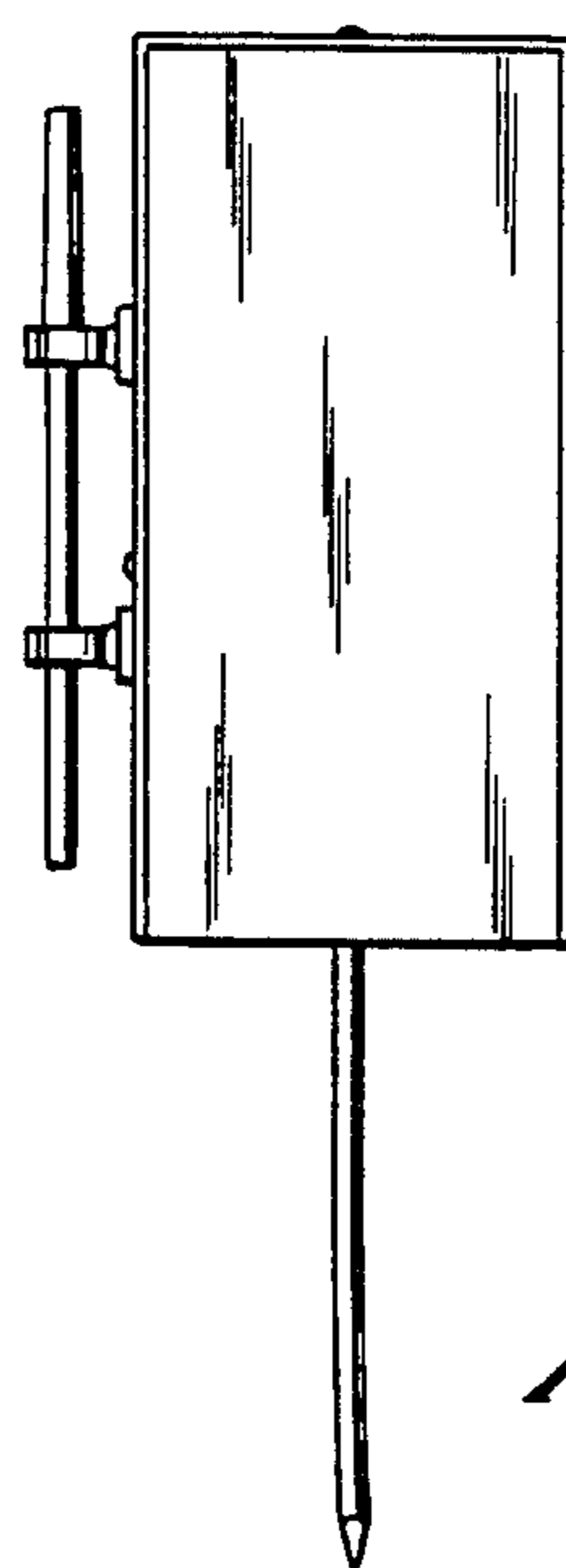


Fig. 5