

[54] SPINNING EXERCISER

[76] Inventor: Rocco Centafanti, 925 Shore Crest Ave., Deltona, Fla. 32725

[**] Term: 14 Years

[21] Appl. No.: 407,015

[22] Filed: Sep. 14, 1989

[52] U.S. Cl. D21/198; D21/98

[58] Field of Search D21/59, 62, 98, 191-199; 272/67, 68, 93, 130, 133, 134

[56] References Cited

U.S. PATENT DOCUMENTS

D. 165,752	1/1952	Heim	D21/98
D. 187,801	5/1960	Samuel	D21/98
D. 193,012	6/1962	Agrillo	D21/98
D. 193,566	9/1962	Agrillo	D21/98
D. 218,053	7/1970	Wohlstrom	D21/98

195,365	9/1877	Henninger	D21/98
911,582	2/1909	Evans	D21/62
3,269,727	8/1966	Samuel	D21/198
3,737,162	6/1973	Wood	272/68
4,953,854	9/1990	Pizur	272/93

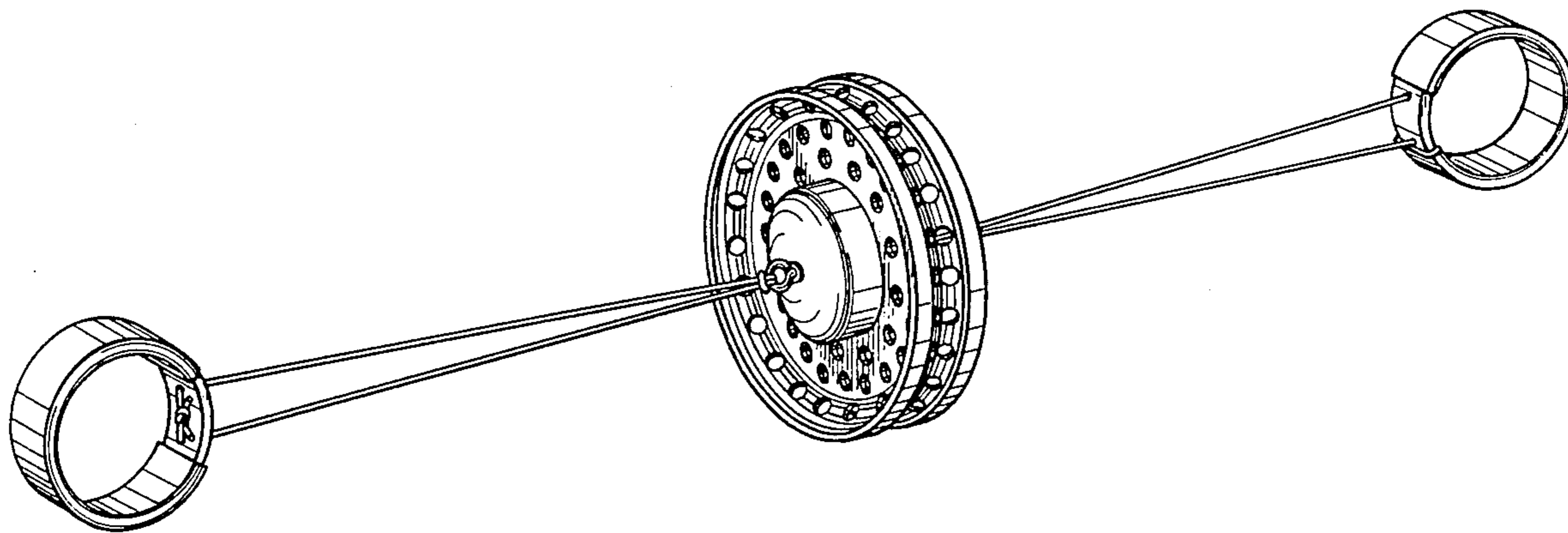
Primary Examiner—Charles A. Rademaker

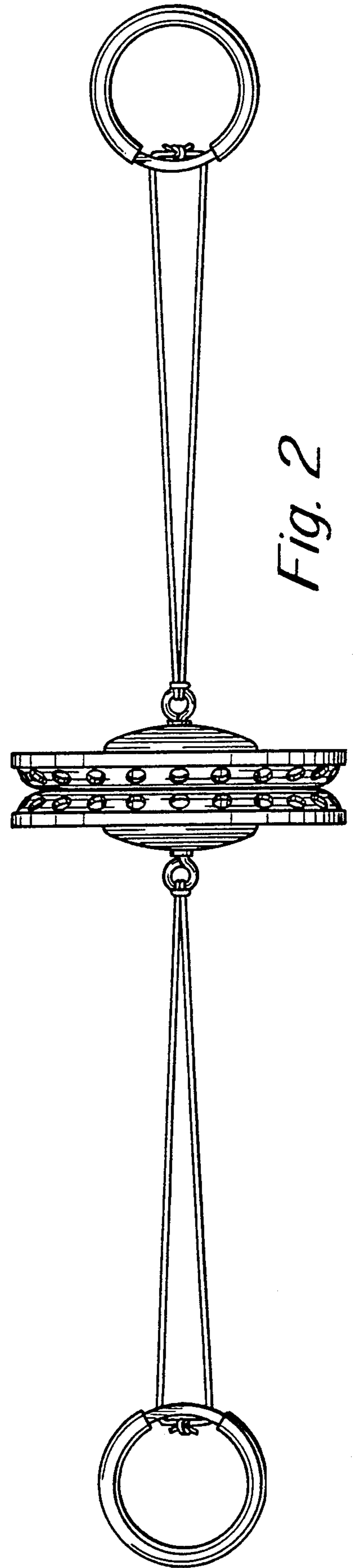
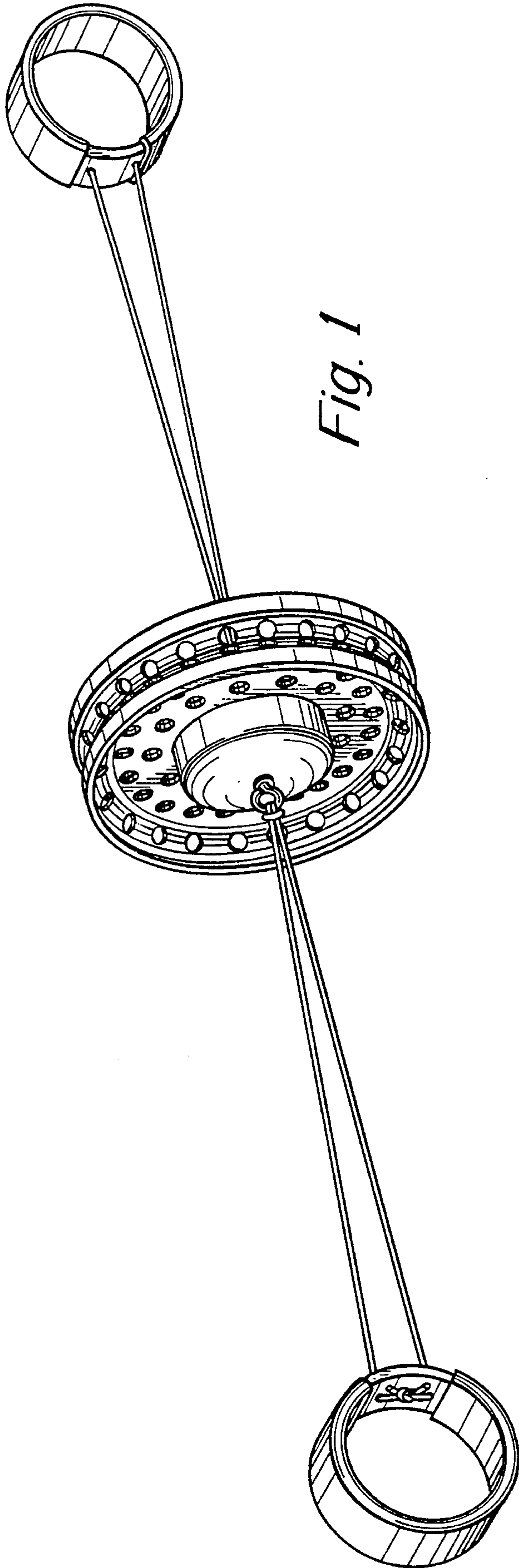
[57] CLAIM

The ornamental design for a spinning exerciser, as shown and described.

DESCRIPTION

FIG. 1 is a perspective view of a spinning exerciser showing my new design;
 FIG. 2 is a front elevational view thereof, the side opposite being a mirror image;
 FIG. 3 is a top plan view thereof, the side opposite being a mirror image; and,
 FIG. 4 is a left side elevational view thereof, the side opposite being a mirror image.





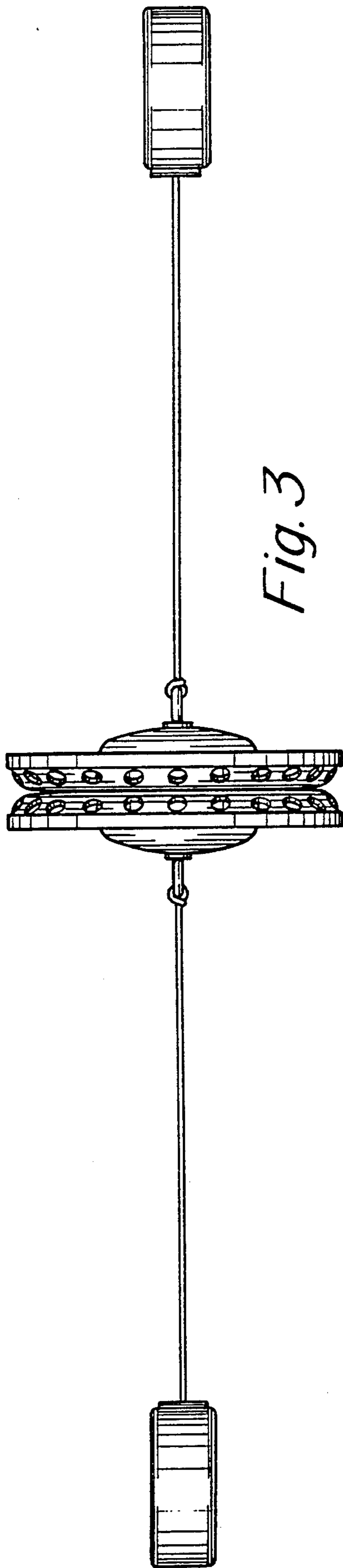


Fig. 3

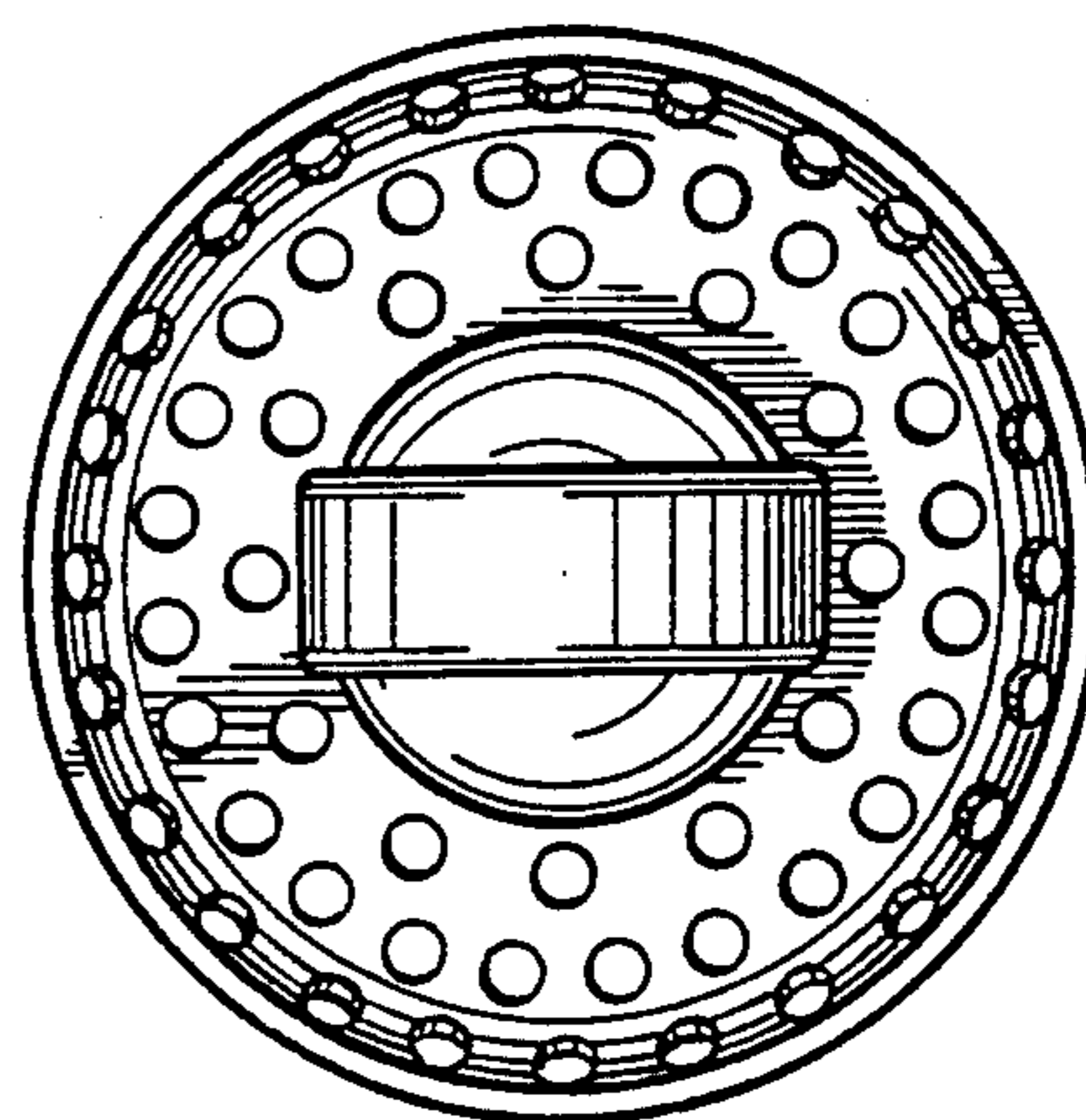


Fig. 4