

[54] EXERCISE BICYCLE

[75] Inventors: Mark D. Hildebrandt; Richard N. Sarns, both of Ann Arbor; Miles A. Conklin, Battle Creek, all of Mich.

[73] Assignee: Life Plus, Inc., Ann Arbor, Mich.

[\*\*] Term: 14 Years

[21] Appl. No.: 346,007

[22] Filed: May 1, 1989

[52] U.S. Cl. .... D21/194

[58] Field of Search ..... D21/191-199; 272/70.1, 70.2, 70.3, 73.1, 132; 73/379; D6/374, 375

[56] References Cited

U.S. PATENT DOCUMENTS

- D. 218,107 7/1970 Feather et al. .... D21/194
- D. 298,641 11/1988 Sheltra ..... D21/194
- D. 305,677 1/1990 Beistegui ..... D21/194
- D. 308,085 5/1990 Alberta ..... D21/194

OTHER PUBLICATIONS

Hammacher Schlemmer, Catalog—1987, p. 54, Recumbent Exercise Bike.  
 The Fitness Store Catalog, p. 7, "PTS Turbo 1000" Recumbent Bike.  
 The Sharper Image Catalog, 1985, p. 27, "AMF Benchmark 940" Exercise Bike.

Primary Examiner—Charles A. Rademaker  
Attorney, Agent, or Firm—Michael J. Weins

[57] CLAIM

The ornamental design for an exercise bicycle, as shown and described.

DESCRIPTION

FIG. 1 is a perspective view of an exercise bicycle showing our new design;  
 FIG. 2 is a front elevational view thereof;  
 FIG. 3 is a rear elevational view thereof;  
 FIG. 4 is a top plan view thereof;  
 FIG. 5 is a left side elevational view thereof, the side opposite being substantially a mirror image; and,  
 FIG. 6 is an elevational view taken along line 6—6 in FIG. 5 shown in fragment and on an enlarged scale.

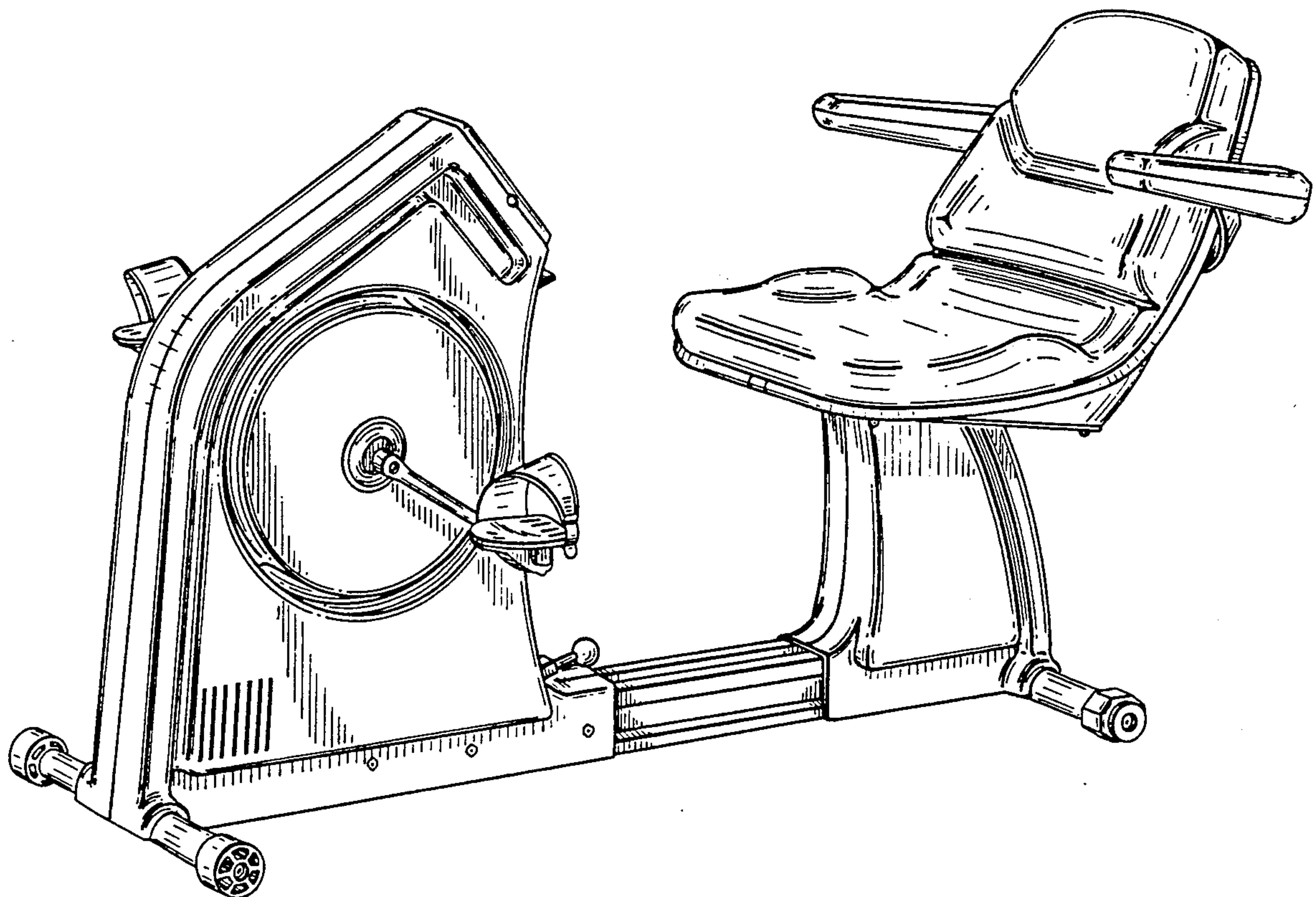
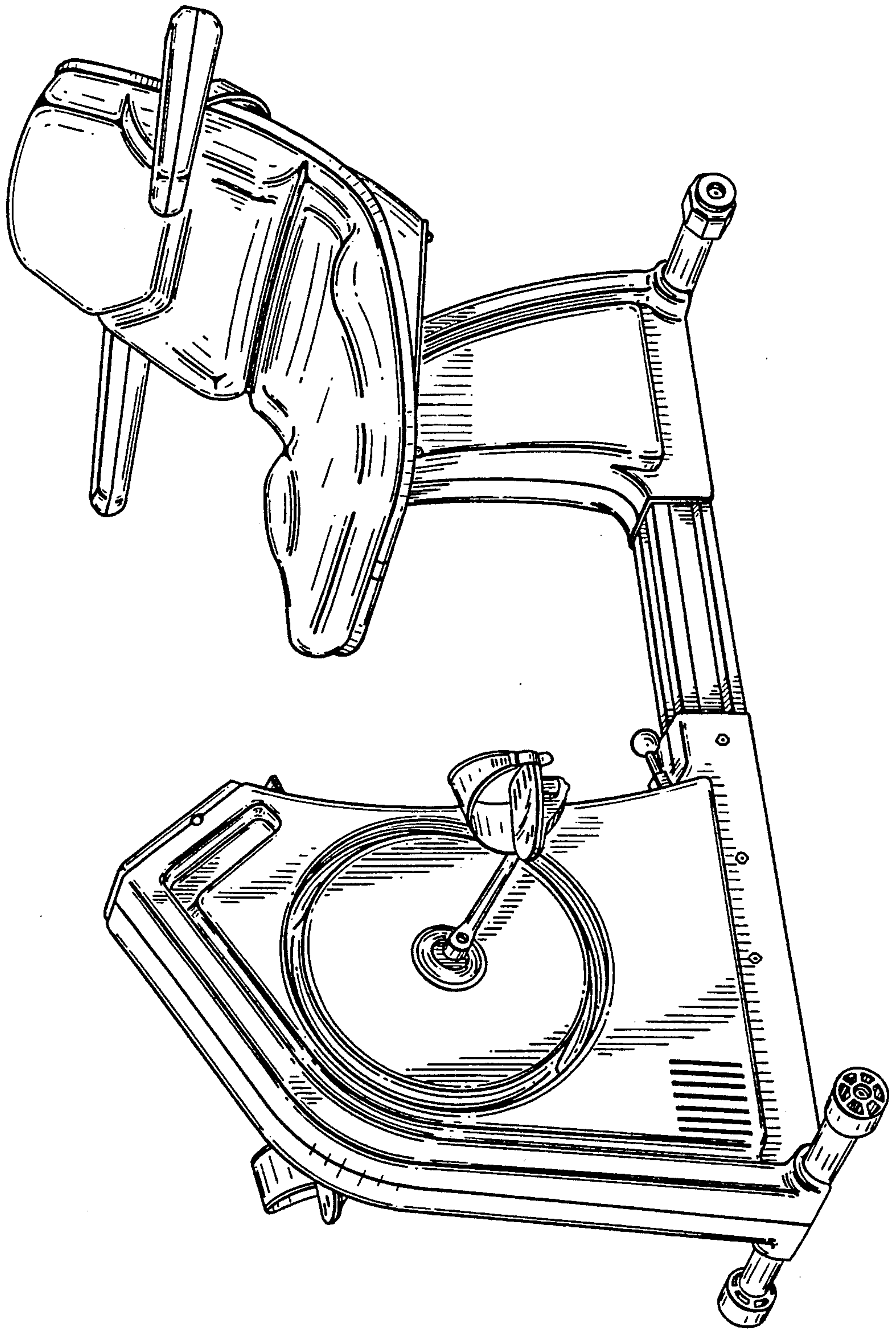
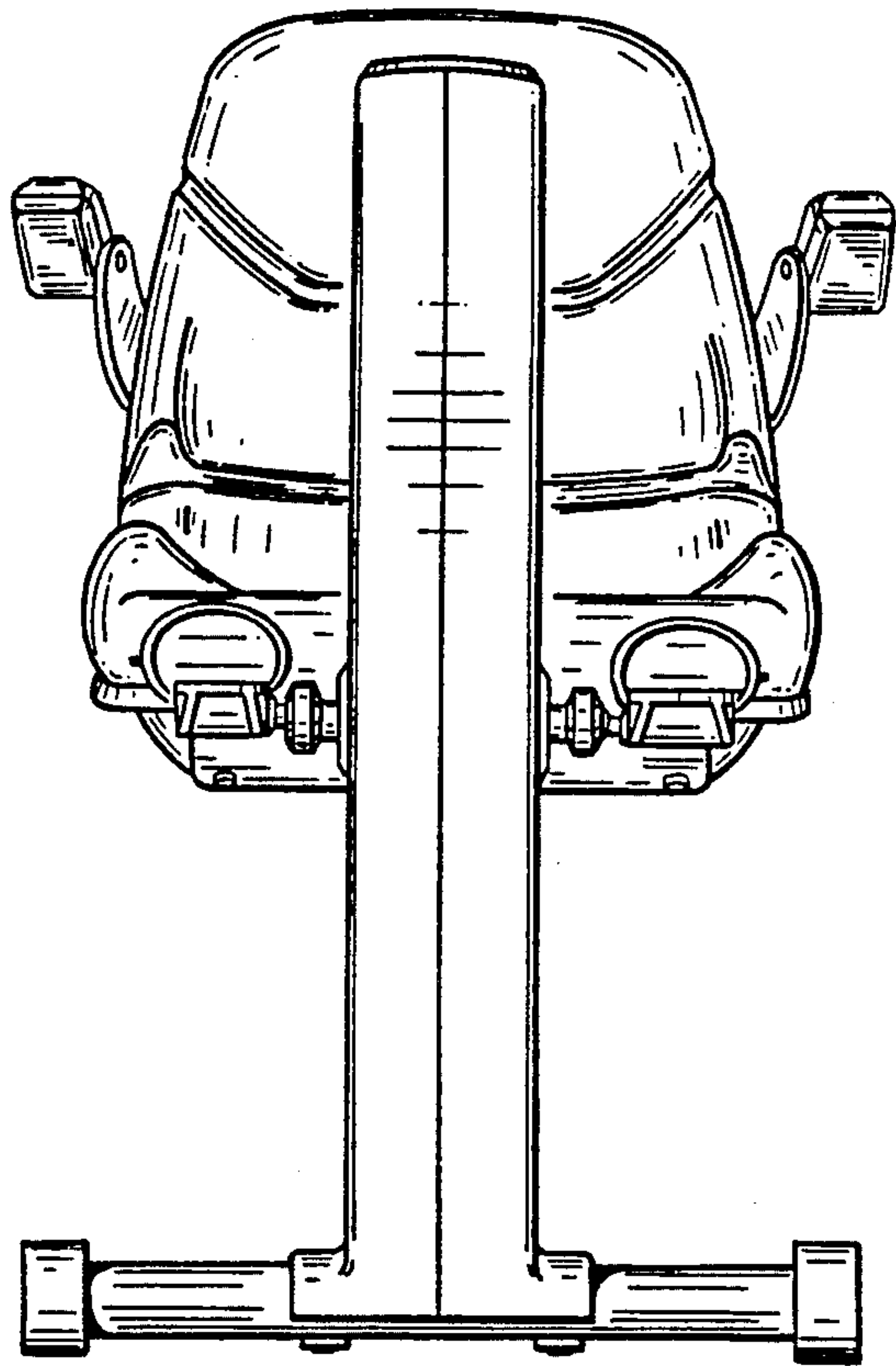


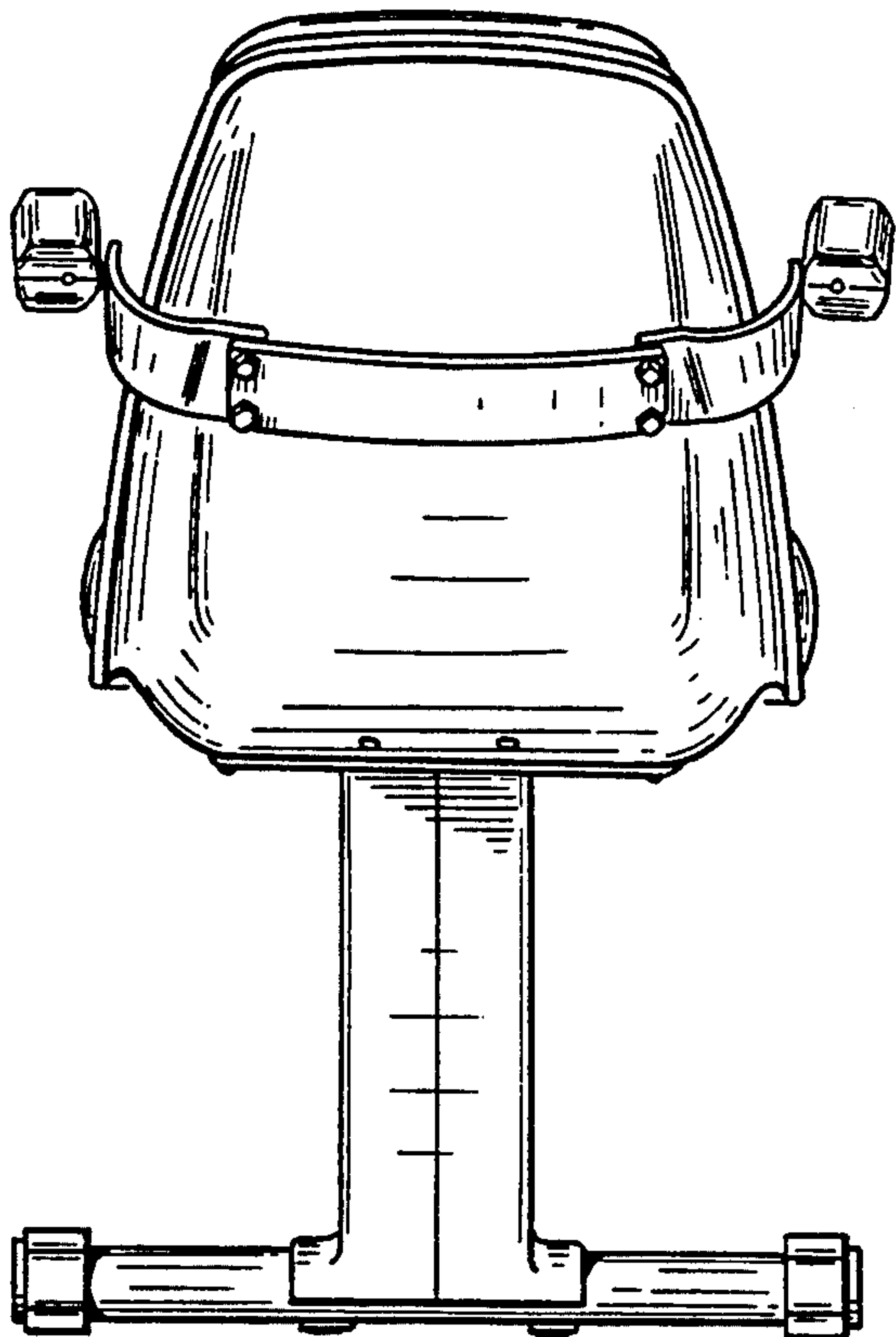
FIG-1



*FIG-2*



*FIG-3*





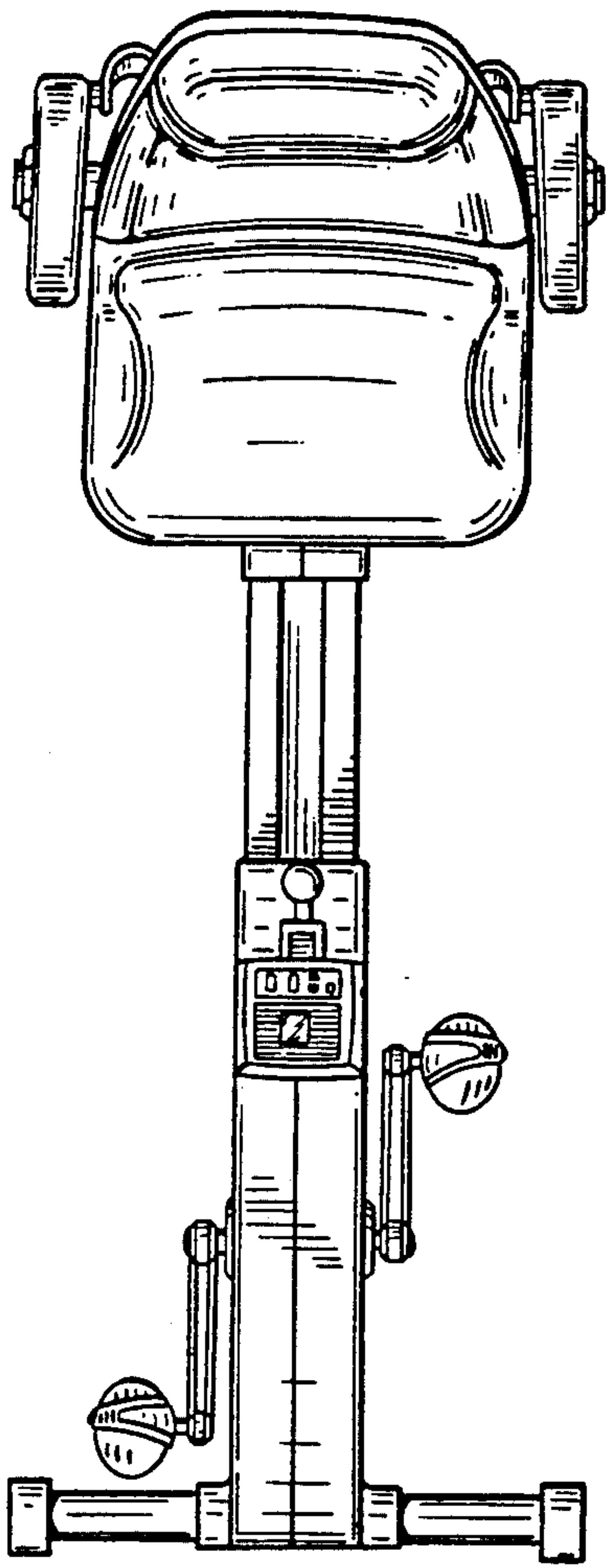


FIG-4

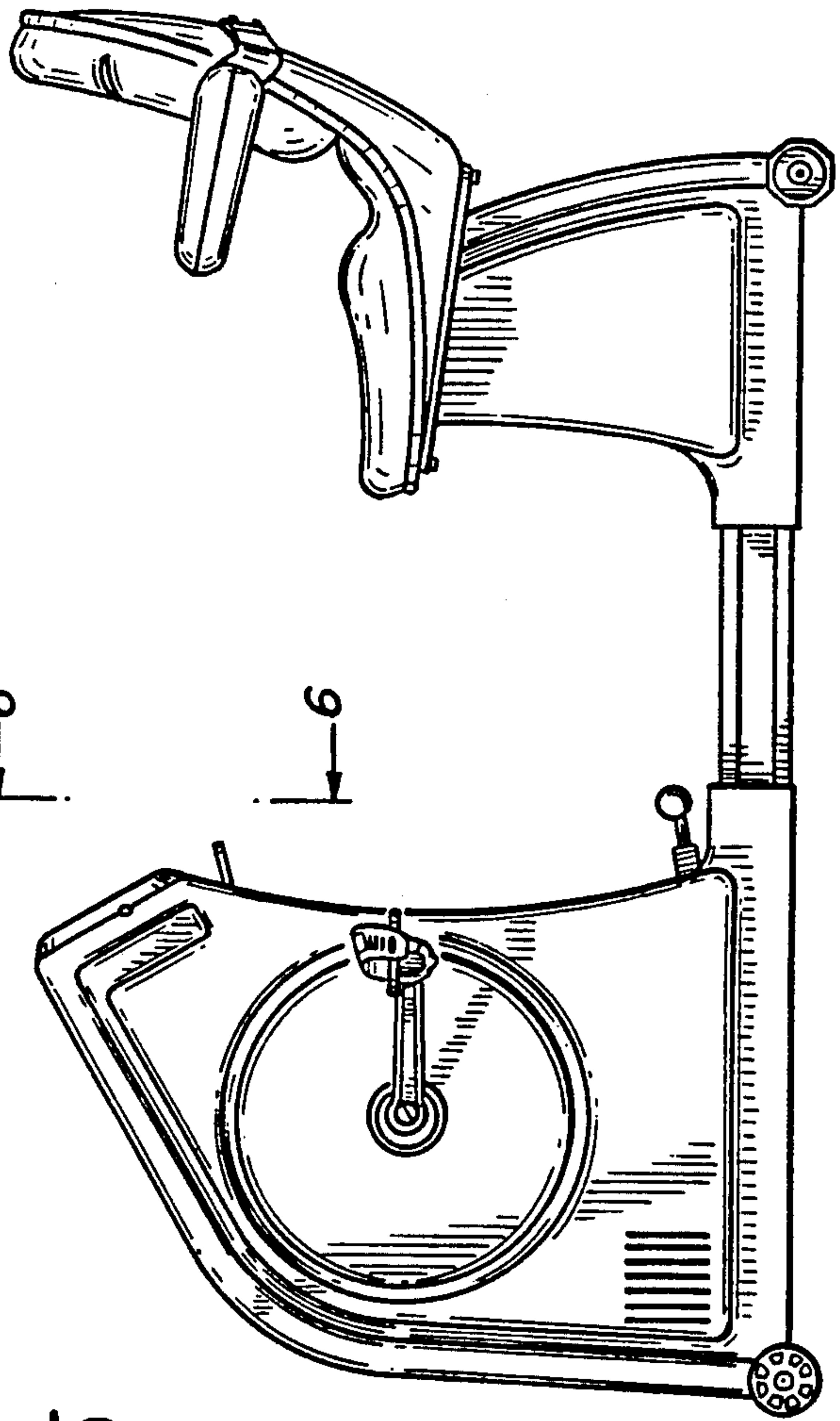


FIG-5

FIG-6

