

[54] PHYSICAL EXERCISE FRAME

[76] Inventor: Manuel F. A. Cordon, 41 calle, 6-31 zona 8, Guatemala City, Guatemala

[**] Term: 14 Years

[21] Appl. No.: 364,248

[22] Filed: Jun. 9, 1989

[52] U.S. Cl. D21/191

[58] Field of Search D21/191-199; 272/143, 144, 145

[56] References Cited

U.S. PATENT DOCUMENTS

D. 280,922	10/1985	Sieder	D21/191
D. 293,007	12/1987	Dittig	D21/191
D. 299,257	1/1989	Naboshek	D21/191
D. 314,025	1/1991	Shimer	D21/191
4,611,806	9/1986	Terry	272/144

Primary Examiner—Charles A. Rademaker

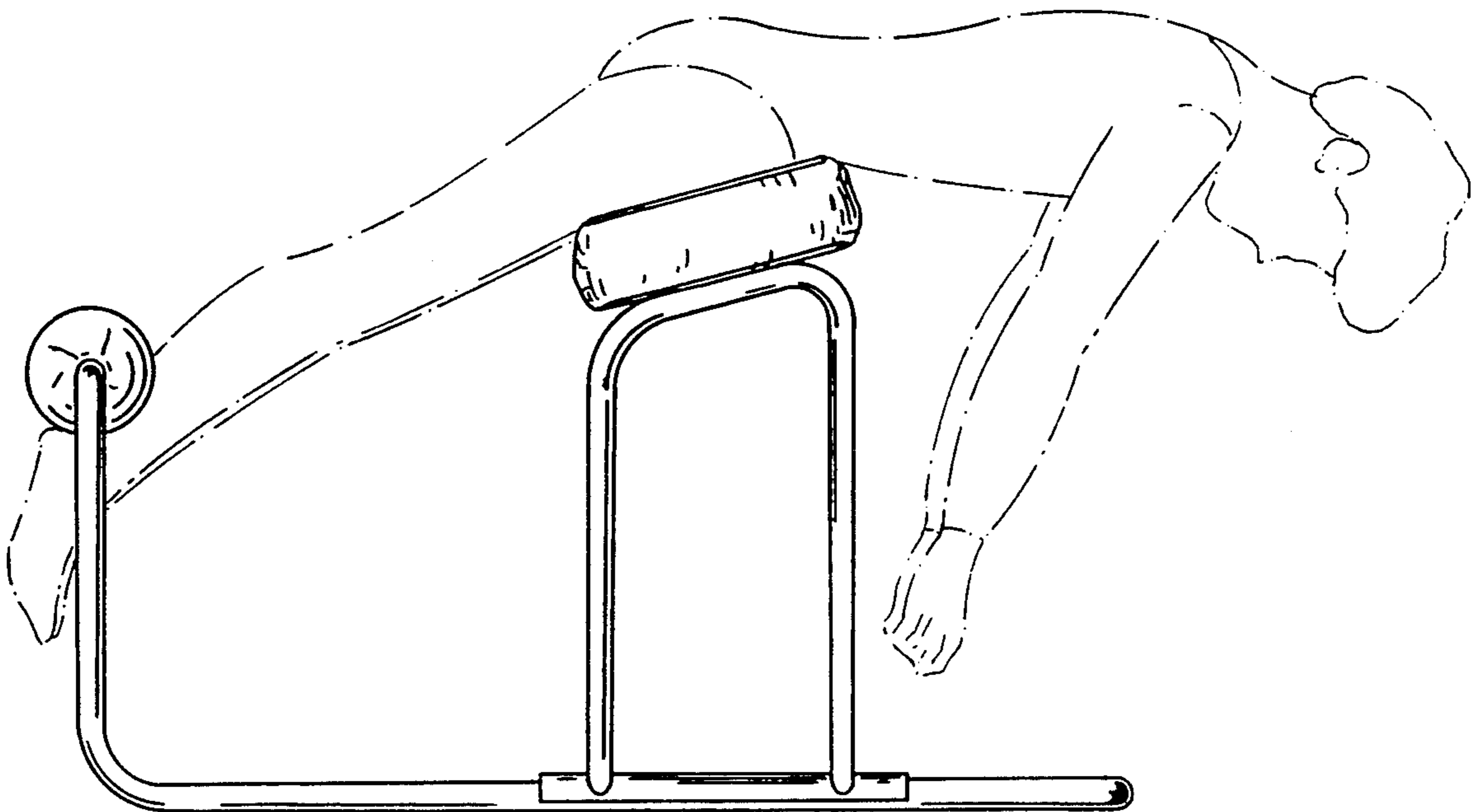
Attorney, Agent, or Firm—Fish & Richardson

[57] CLAIM

The ornamental design for a physical exercise frame, as shown and described.

DESCRIPTION

FIG. 1 is a front perspective view of a physical exercise frame showing my new design;
 FIG. 2 is a side elevational view thereof, the side opposite being a mirror image;
 FIG. 3 is an end elevational view thereof;
 FIG. 4 is an end elevational view of the end opposite that shown in FIG. 3;
 FIG. 5 is a top plan view thereof;
 FIG. 6 is a side elevational view thereof with the broken lines representing a human figure as environment;
 FIG. 7 is another side elevational view thereof with the broken lines representing a human figure as environment; and,
 FIG. 8 is another side elevational view thereof showing the adjustable rest member in an alternate position.



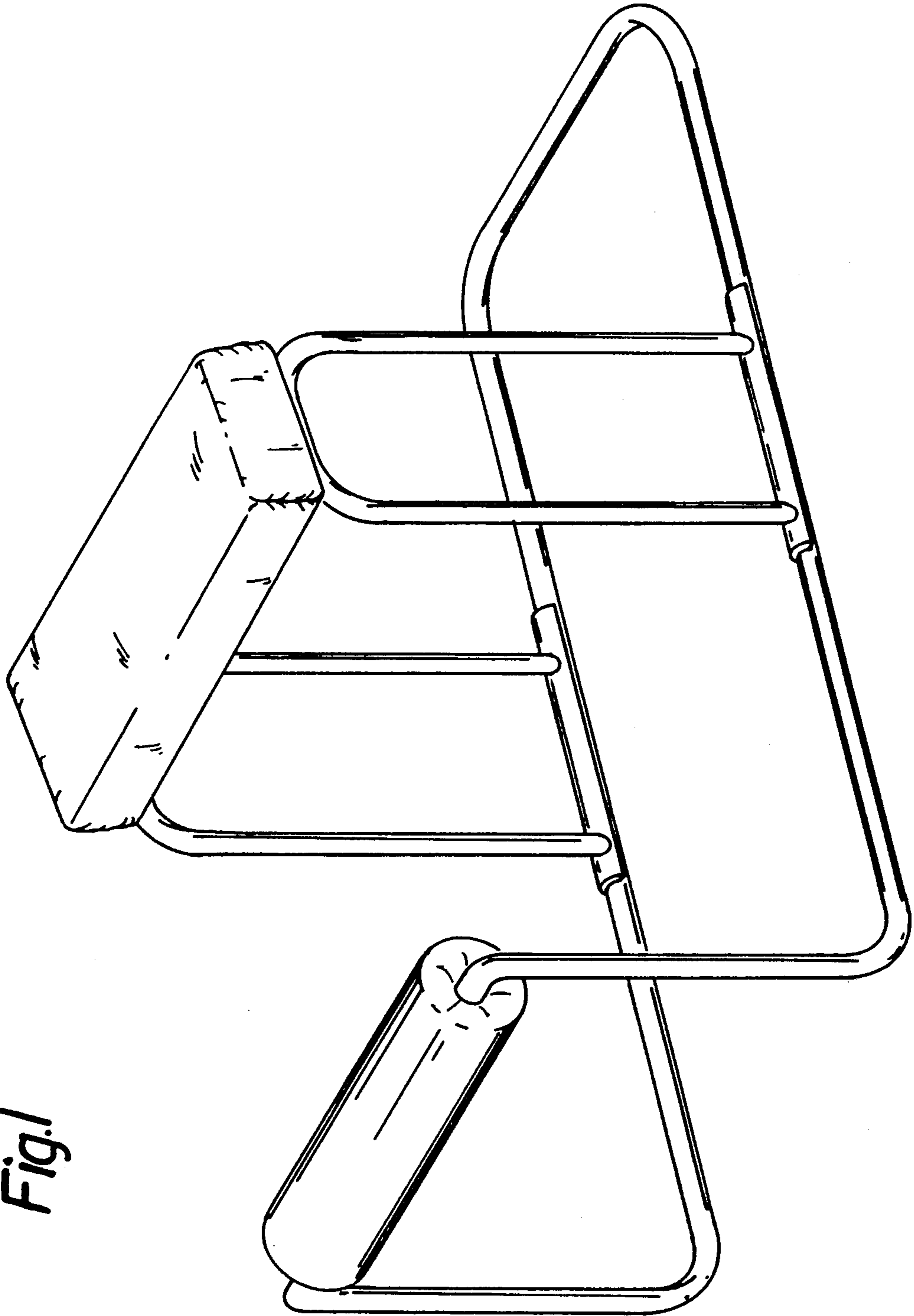


Fig. 1

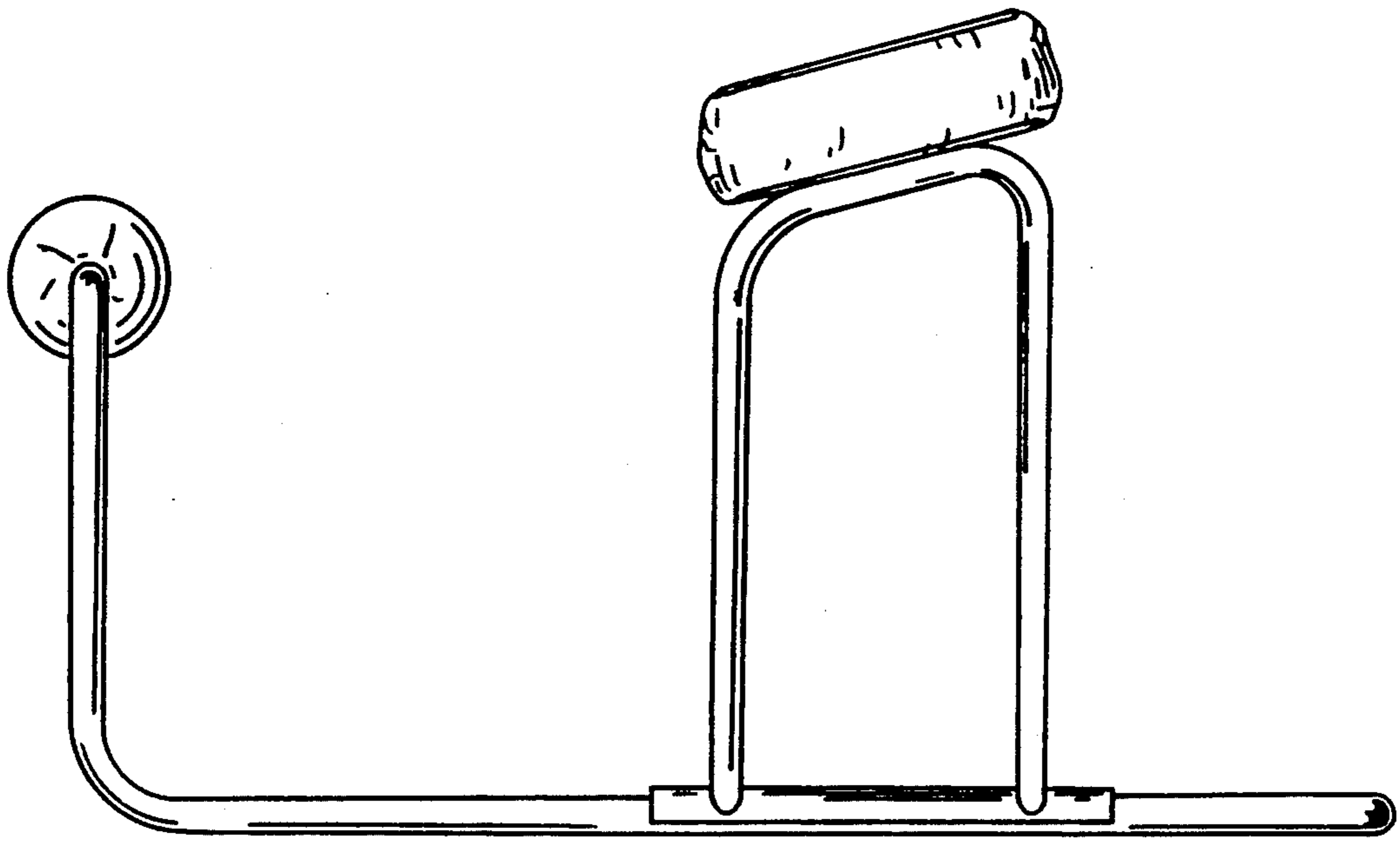


Fig. 2

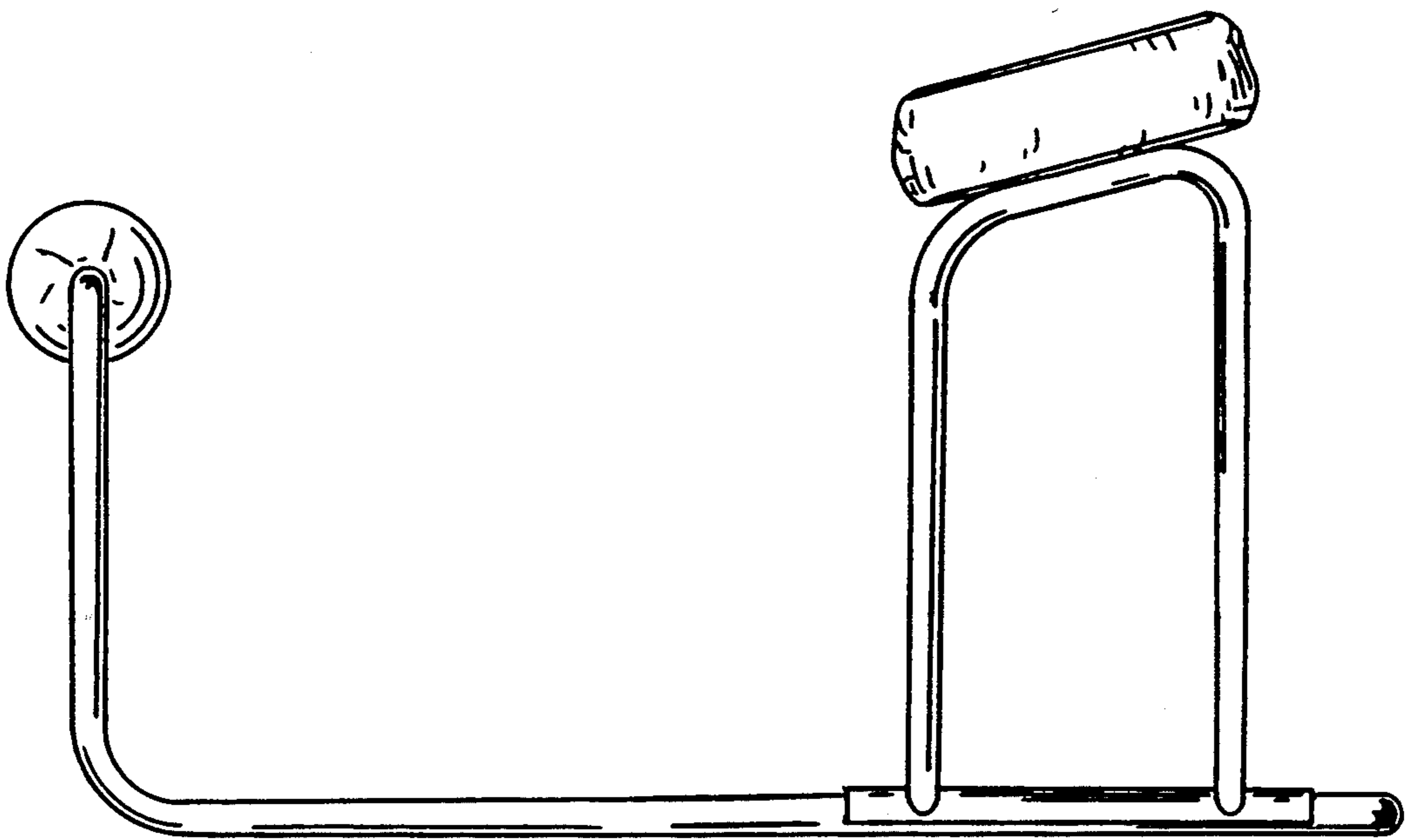


Fig. 8

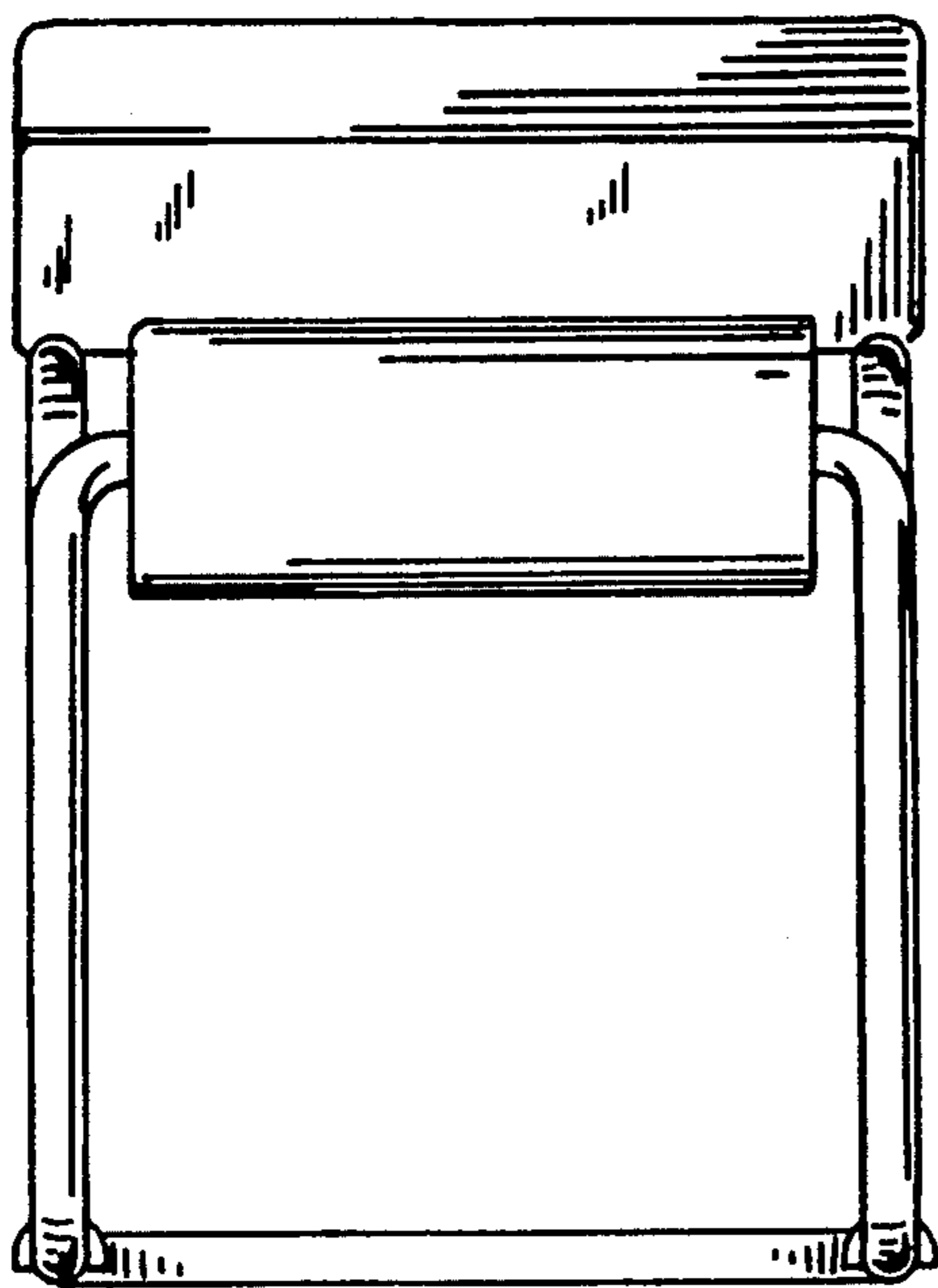


Fig. 3

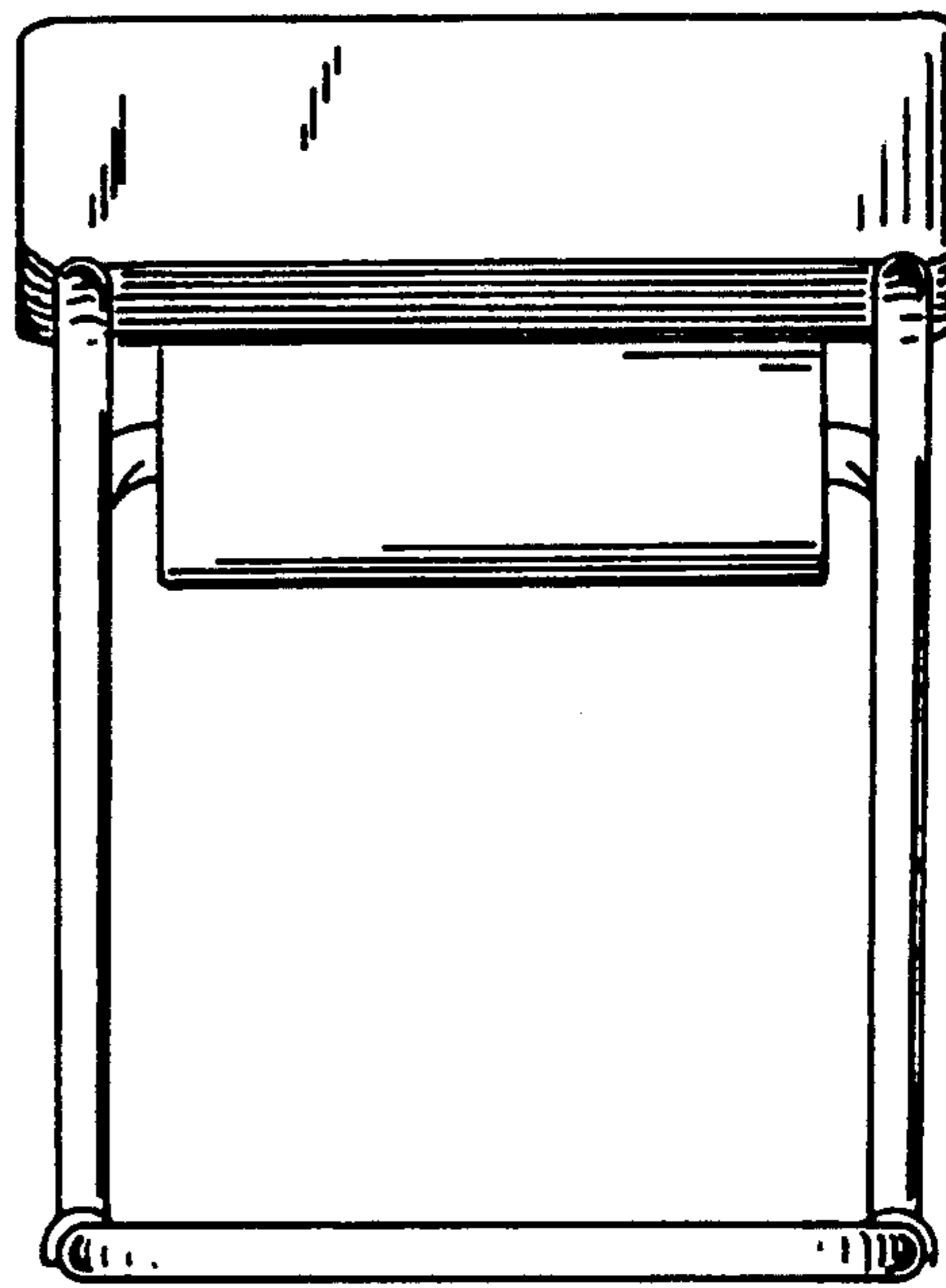


Fig. 4

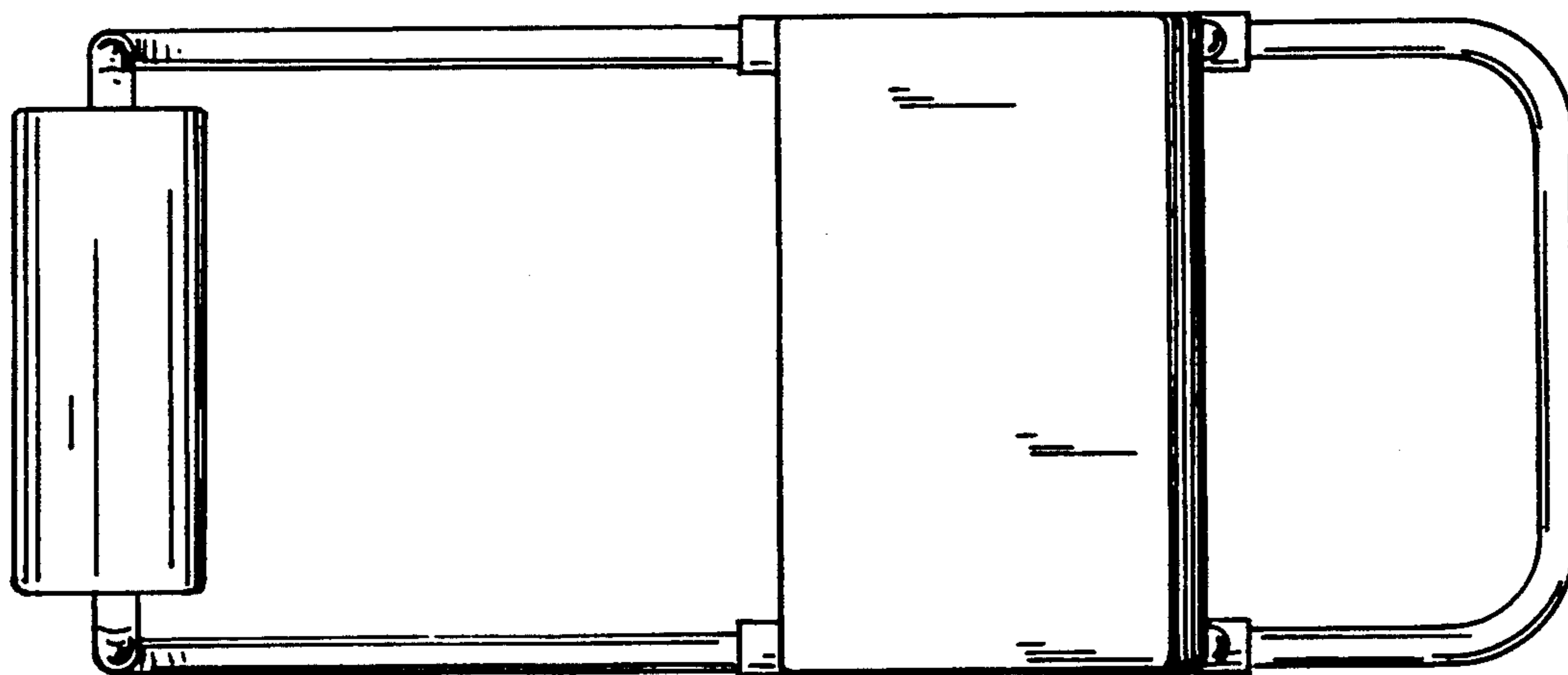


Fig. 5

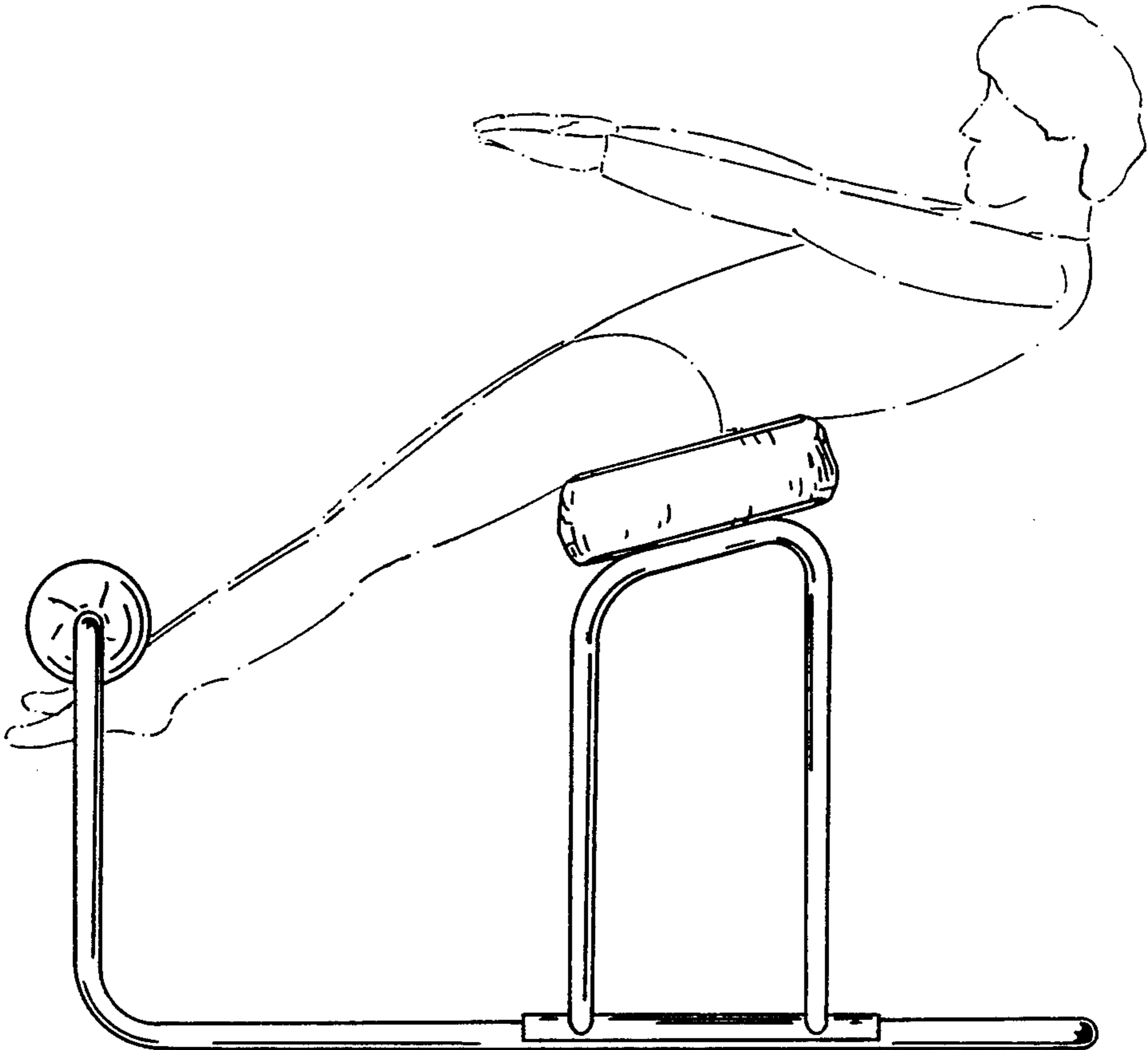


Fig.6

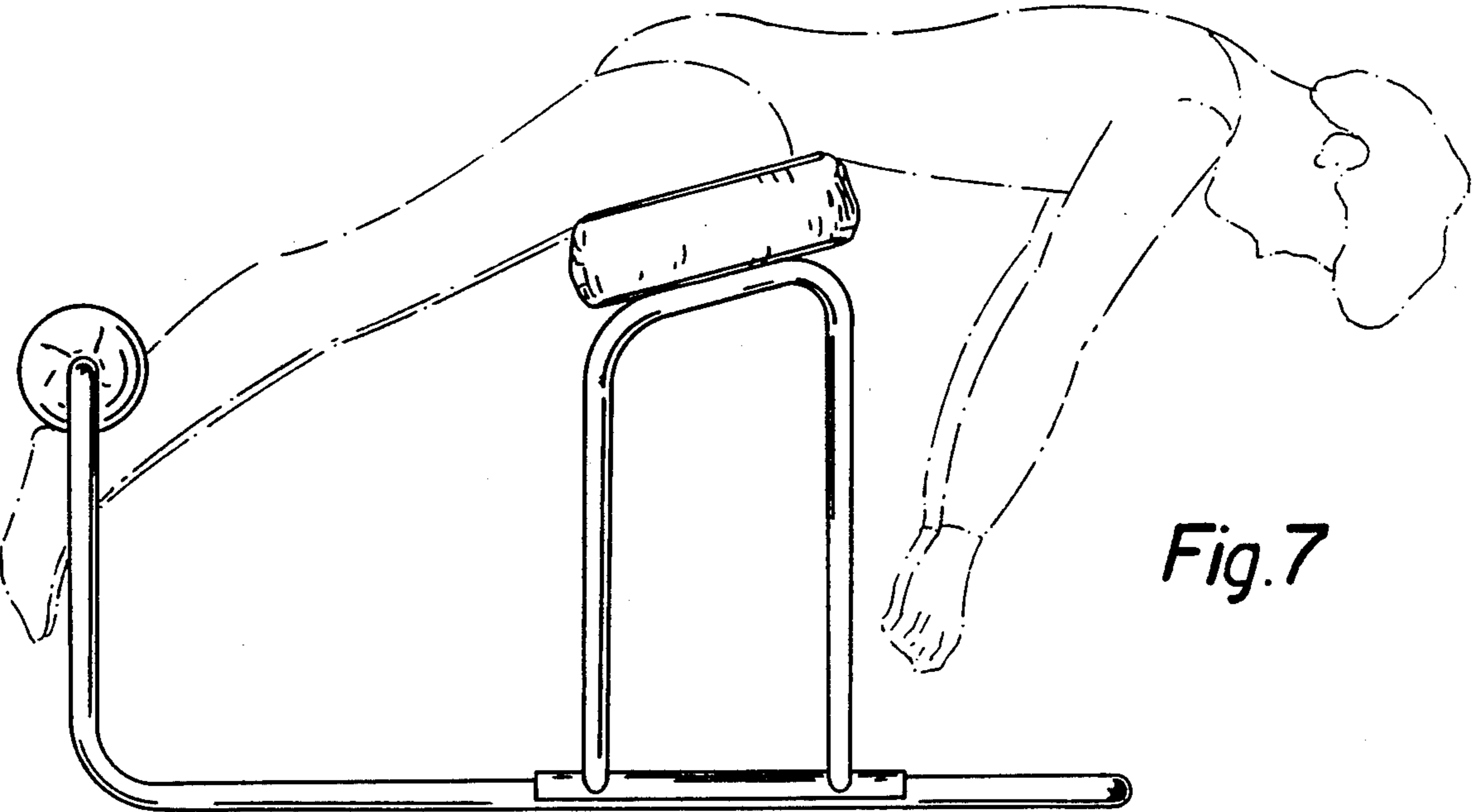


Fig.7