

[54] PLAYING CARD HOLDER

[76] Inventor: Frederick Anderson, 25011 Kerilyn La., Hemet, Calif. 92344

[**] Term: 14 Years

[21] Appl. No.: 304,821

[22] Filed: Jan. 30, 1989

[52] U.S. Cl. D21/54

[58] Field of Search D21/54-58; 273/148 A, 148 R, 150

[56] References Cited

U.S. PATENT DOCUMENTS

D. 45,817	5/1914	Peltier	D21/54
D. 80,668	3/1930	Beyer	D21/54
D. 160,906	11/1950	Ungar	D21/54
D. 164,641	9/1951	Jones	D21/54
D. 280,112	8/1985	Calabro	D21/54
1,184,196	5/1916	Michell	.	
1,246,297	11/1917	Michell	273/148 A
2,307,726	1/1943	Holstein	273/148
2,607,594	8/1952	Rubinoff	273/148
2,631,042	3/1953	Bertram	273/148
2,740,632	4/1956	Balmer	273/148
4,669,732	6/1987	Zebrowski et al.	273/148 A

Primary Examiner—Bernard Ansher
Assistant Examiner—Prabhakar Deshmukh

Attorney, Agent, or Firm—Baker, Maxham, Jester & Meador

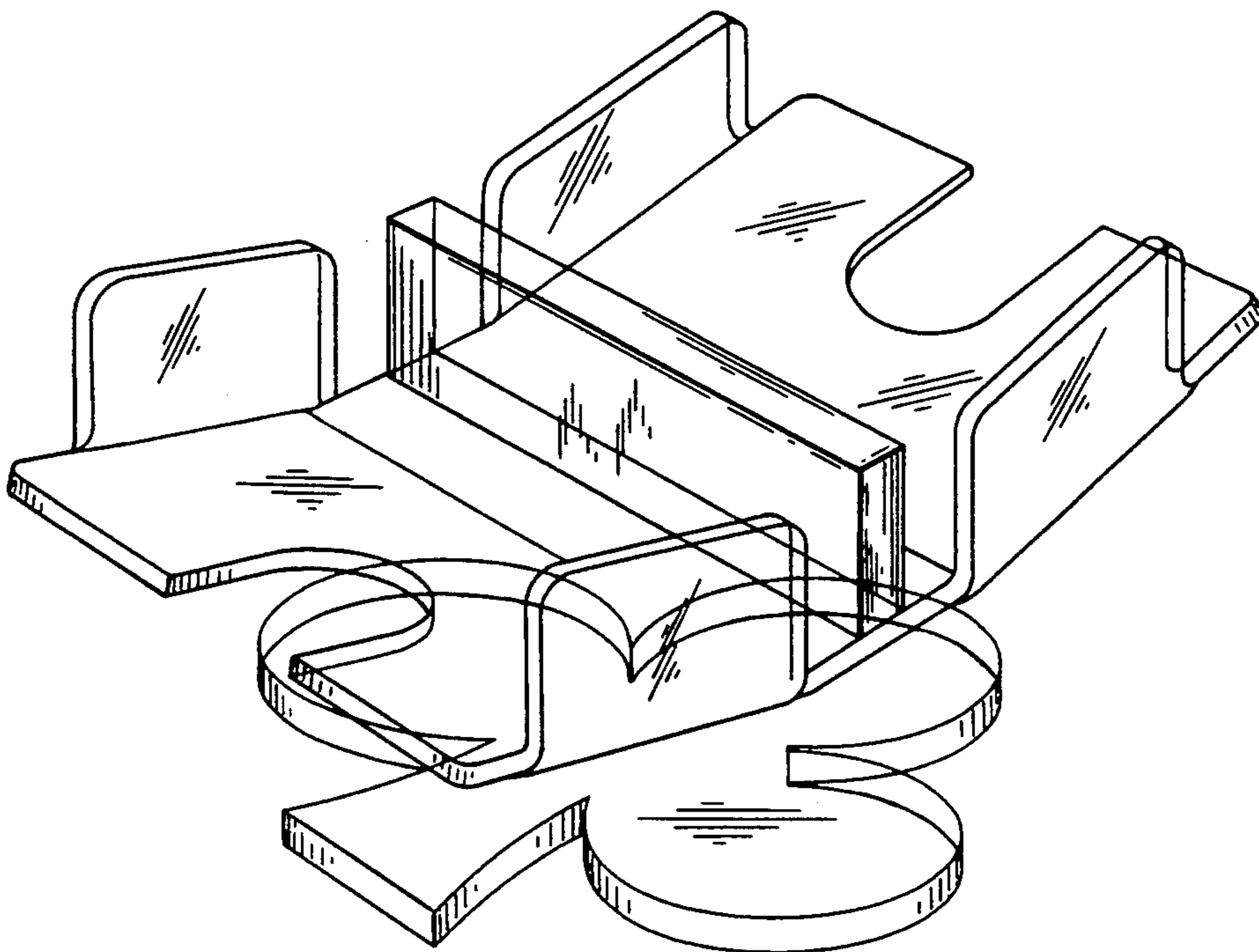
[57] CLAIM

The ornamental design for a playing card holder, as shown and described.

DESCRIPTION

FIG. 1 is a perspective view of a playing card holder showing my new design;
 FIG. 2 is a top plan view thereof;
 FIG. 3 is a bottom plan view thereof;
 FIG. 4 is a right side elevation thereof, the left side elevation being a mirror image of the right side elevation;
 FIG. 5 is a front elevation thereof, the rear side elevation being a mirror image of the front side elevation;
 FIG. 6 is a top plan view of a second embodiment of the invention of FIG. 1;
 FIG. 7 is a bottom plan view of the embodiment of FIG. 6;
 FIG. 8 is a top plan view of a third embodiment of the invention of FIG. 1;
 FIG. 9 is a bottom plan view of the FIG. 8 embodiment;
 FIG. 10 is a top plan view of a fourth embodiment of the invention of FIG. 1; and
 FIG. 11 is a bottom plan view of the embodiment of FIG. 10.

The front, rear, left and right side elevations to all the embodiments are the same as shown in FIGS. 4 and 5.



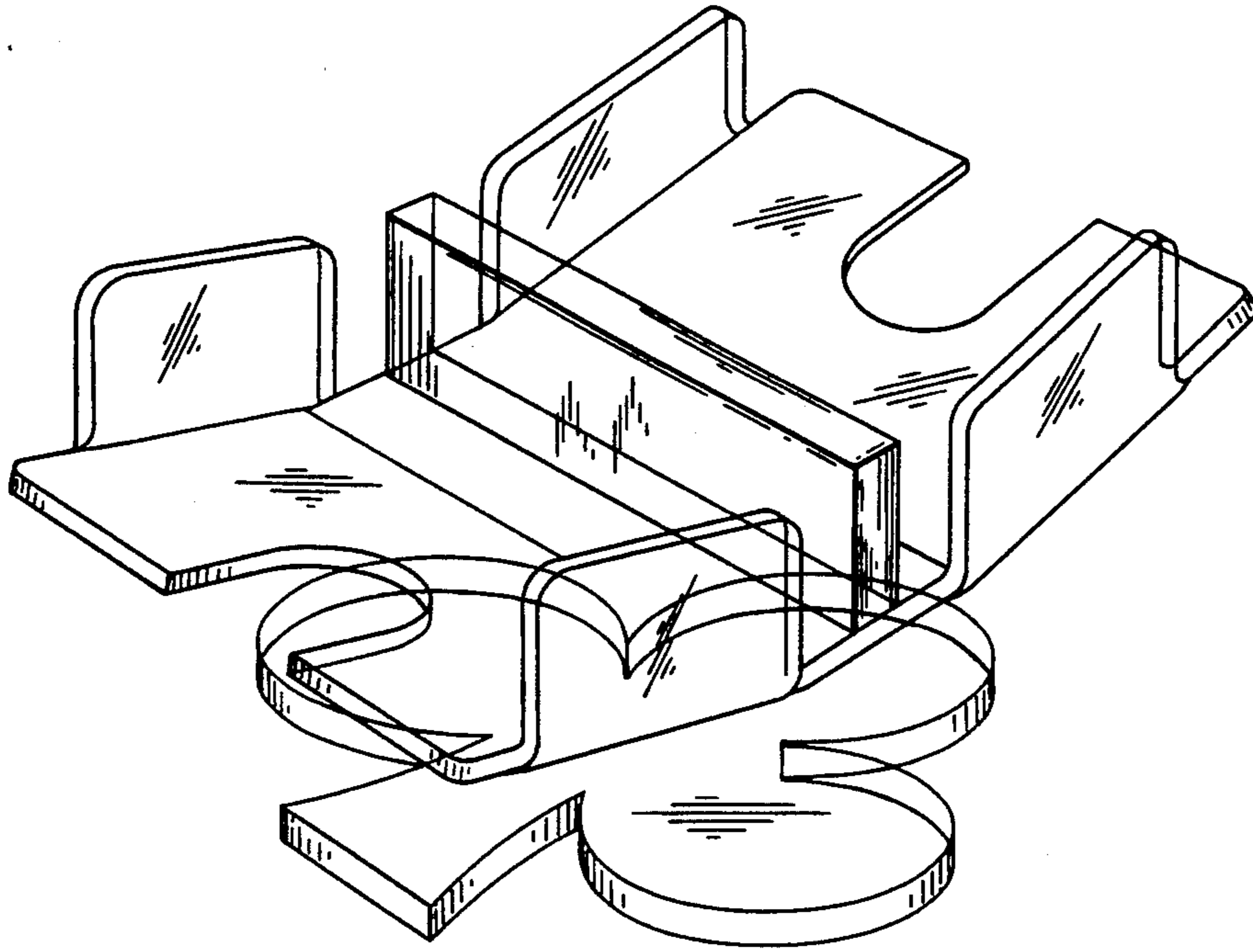


FIG. 1

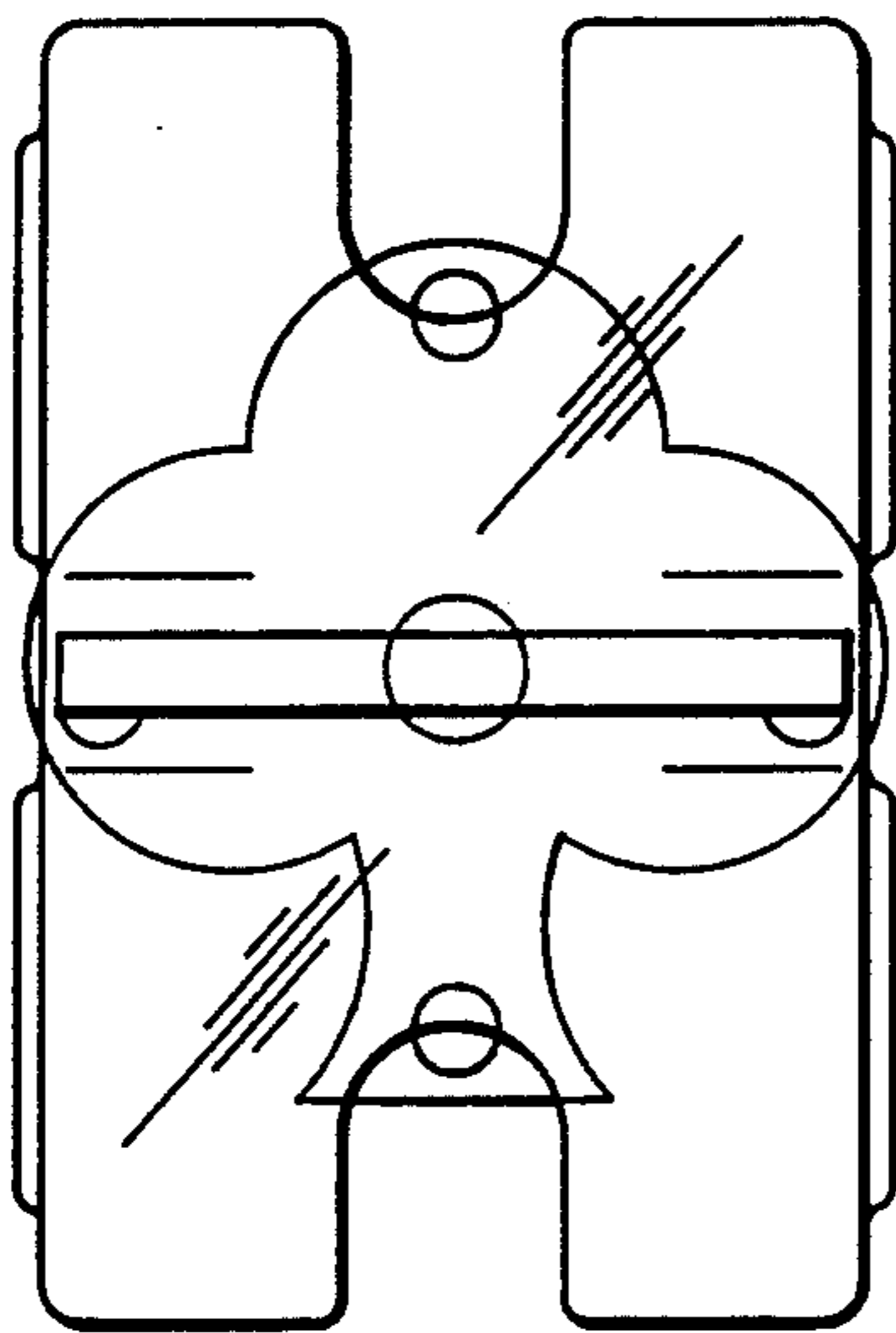


FIG. 2

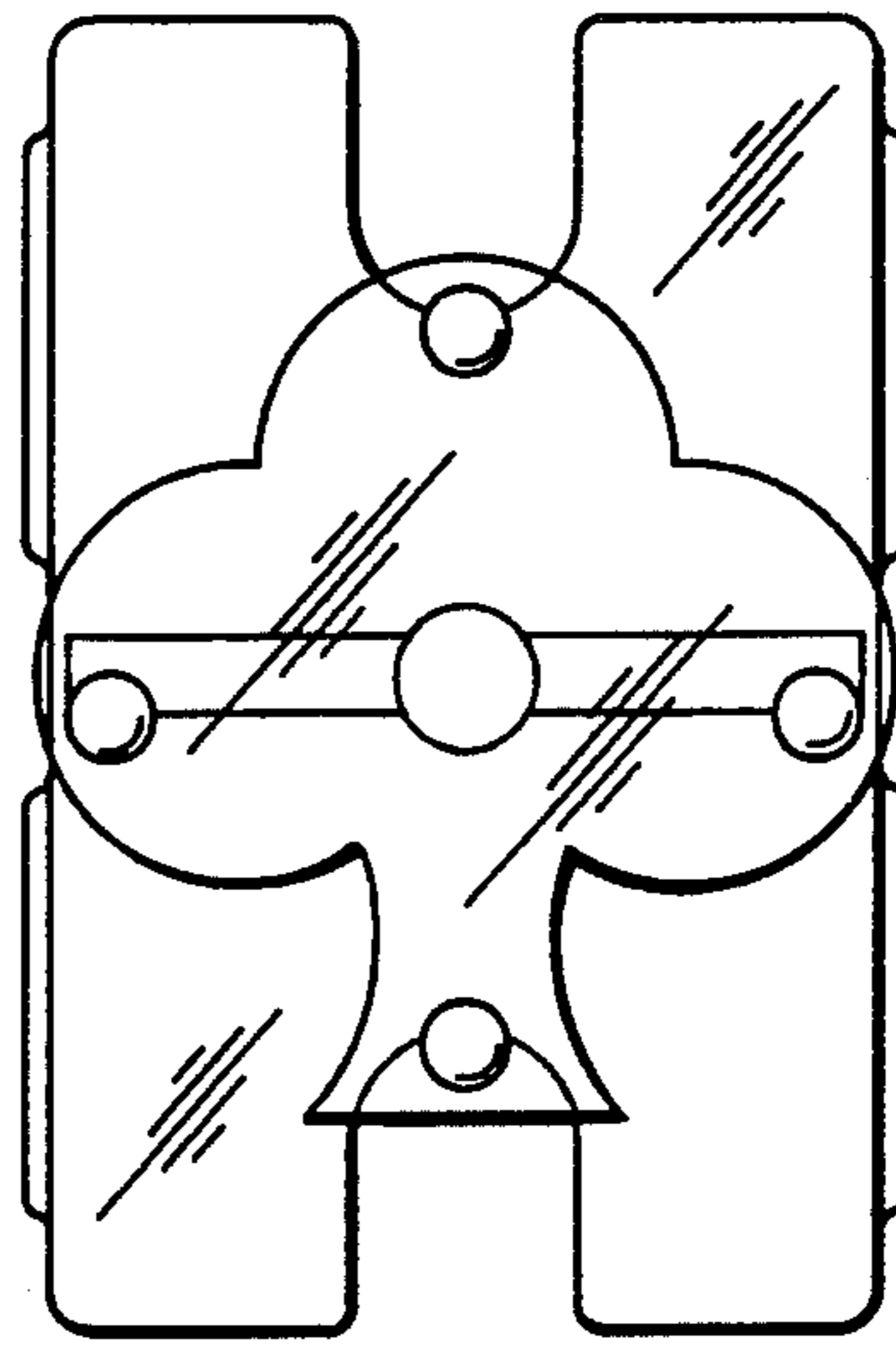


FIG. 3

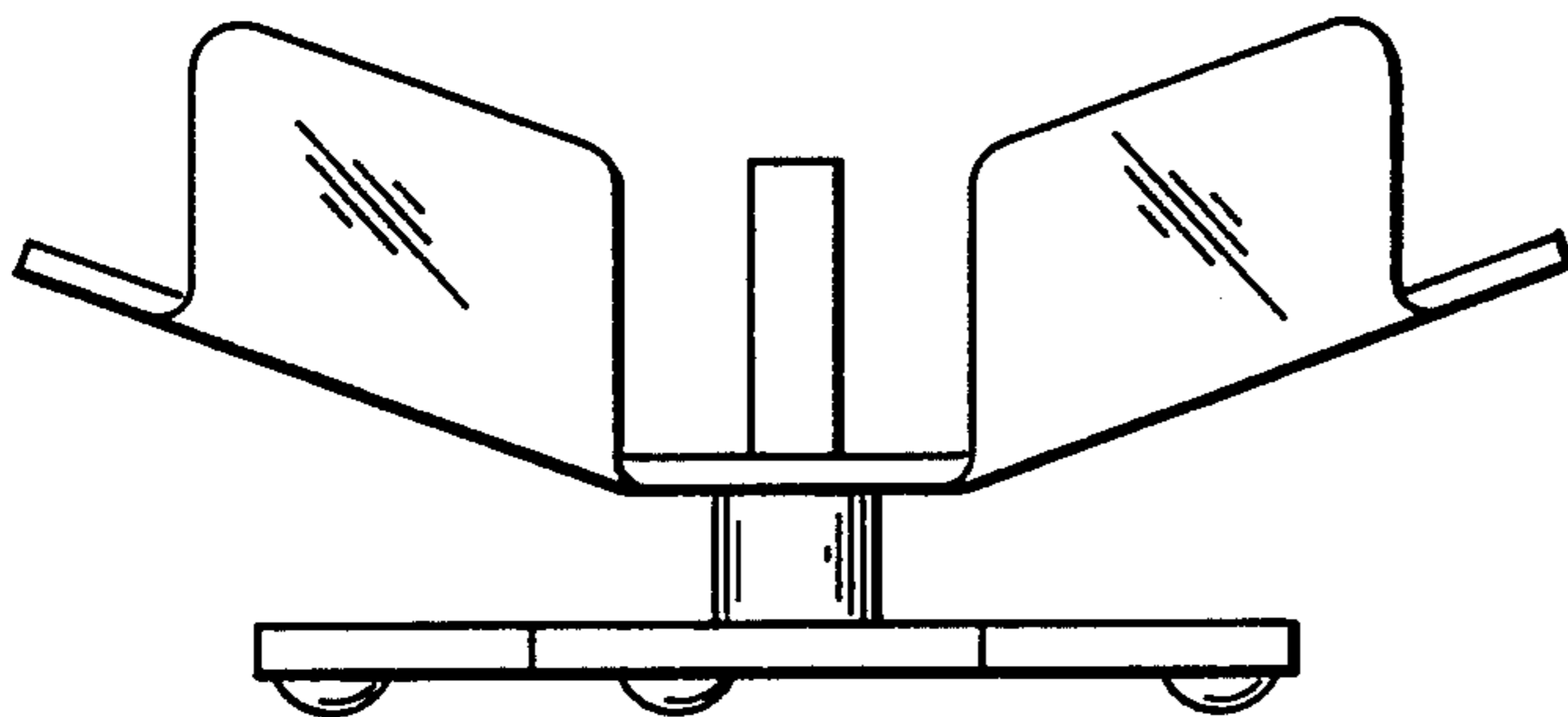


FIG. 4

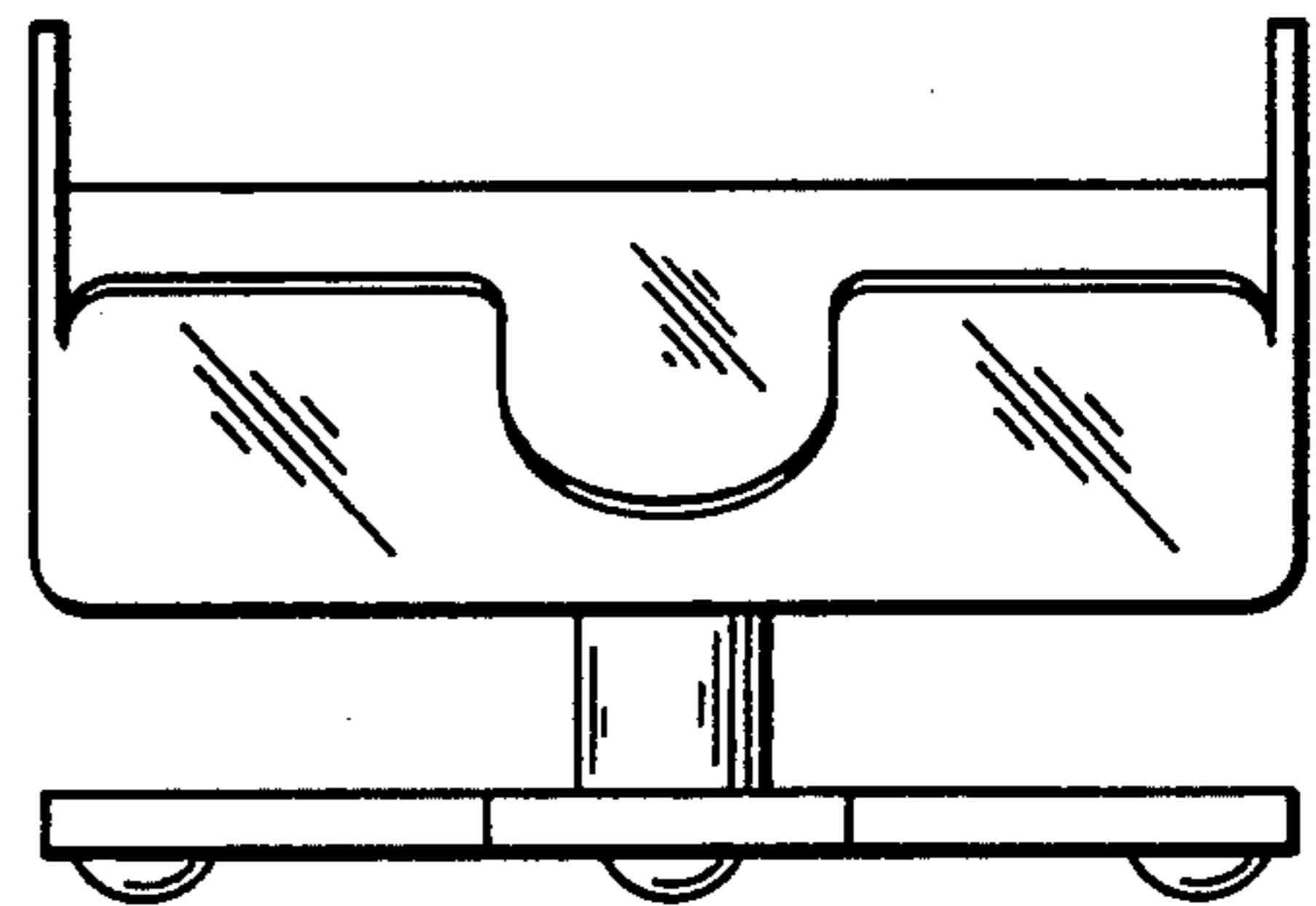


FIG. 5

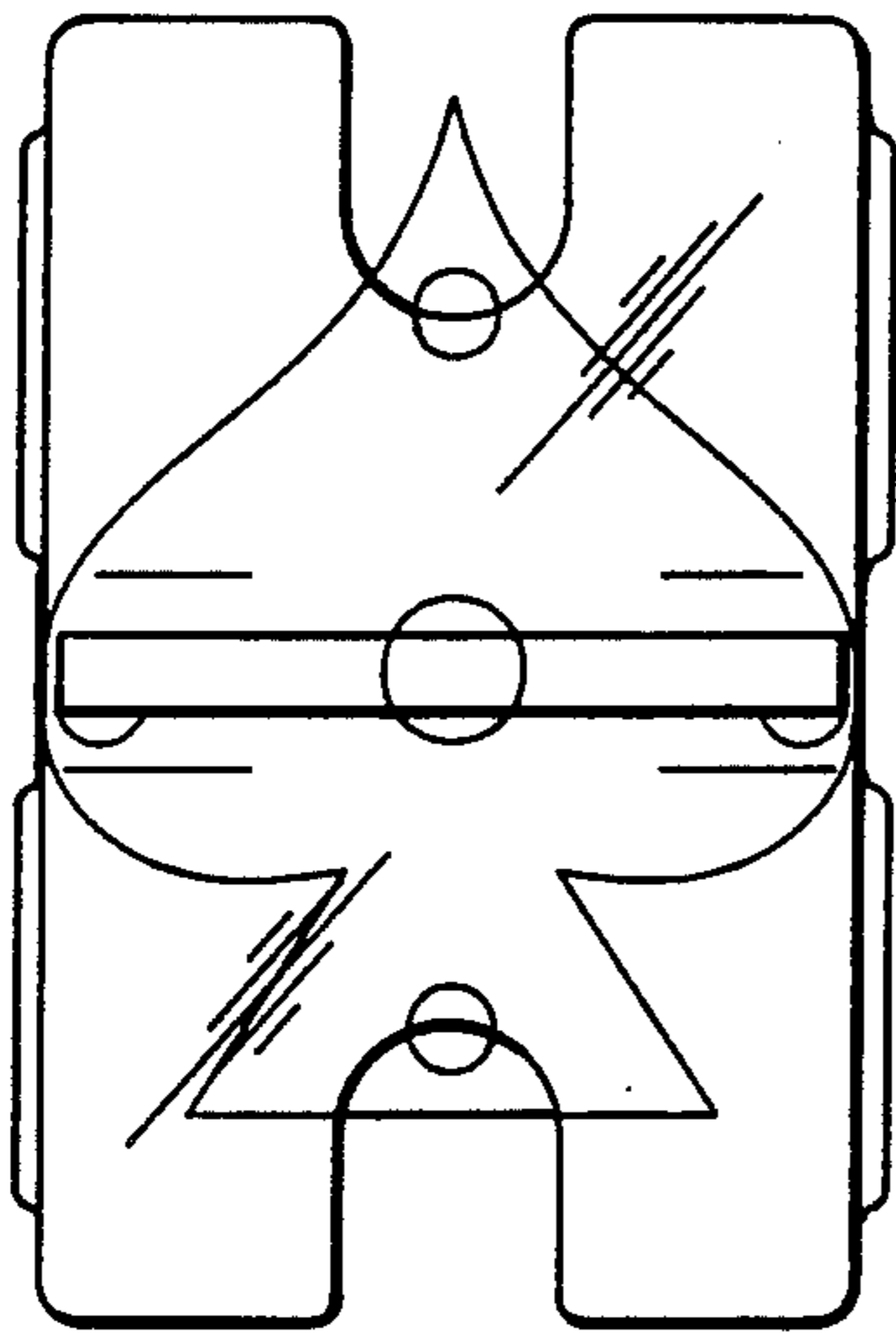


FIG. 6

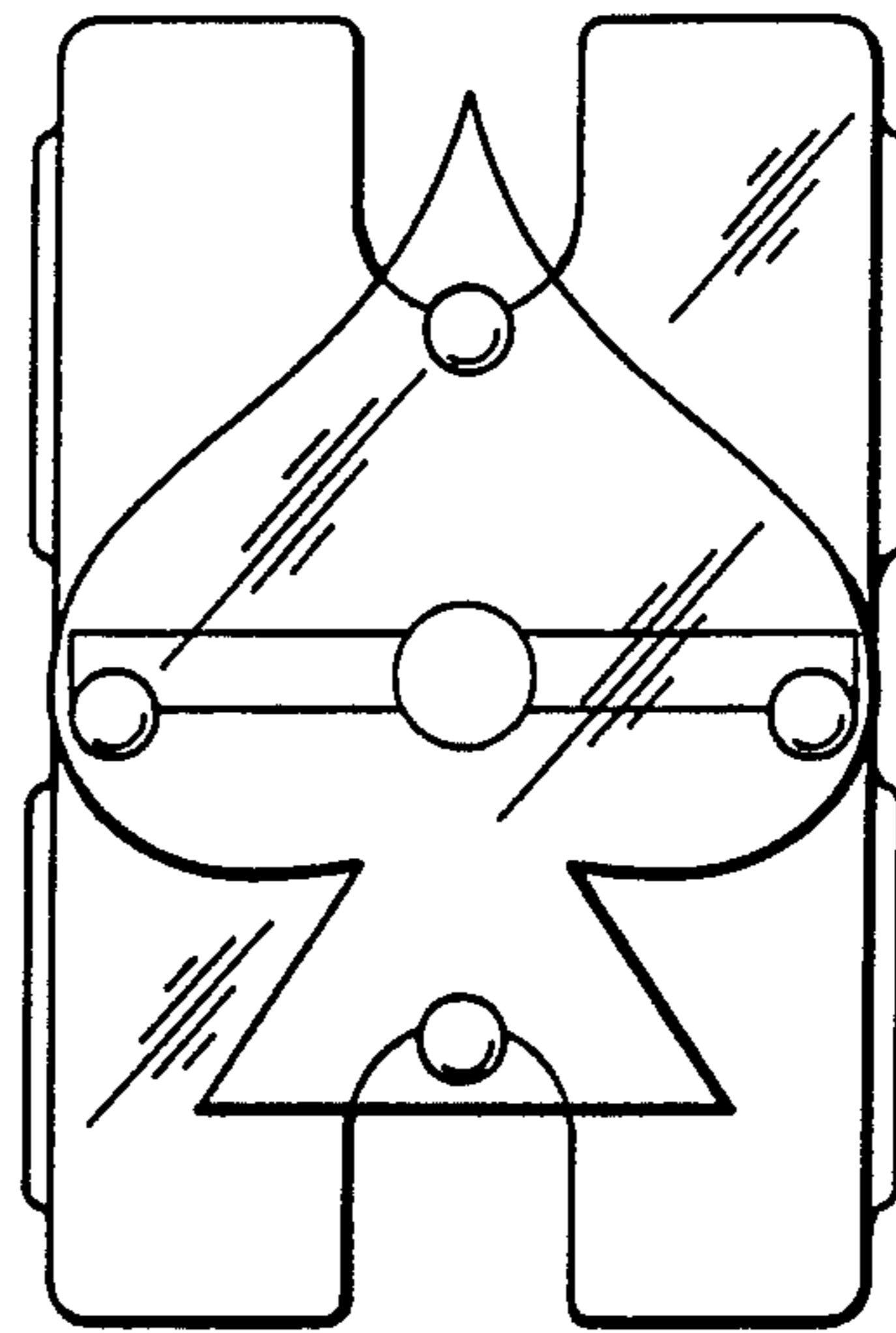


FIG. 7

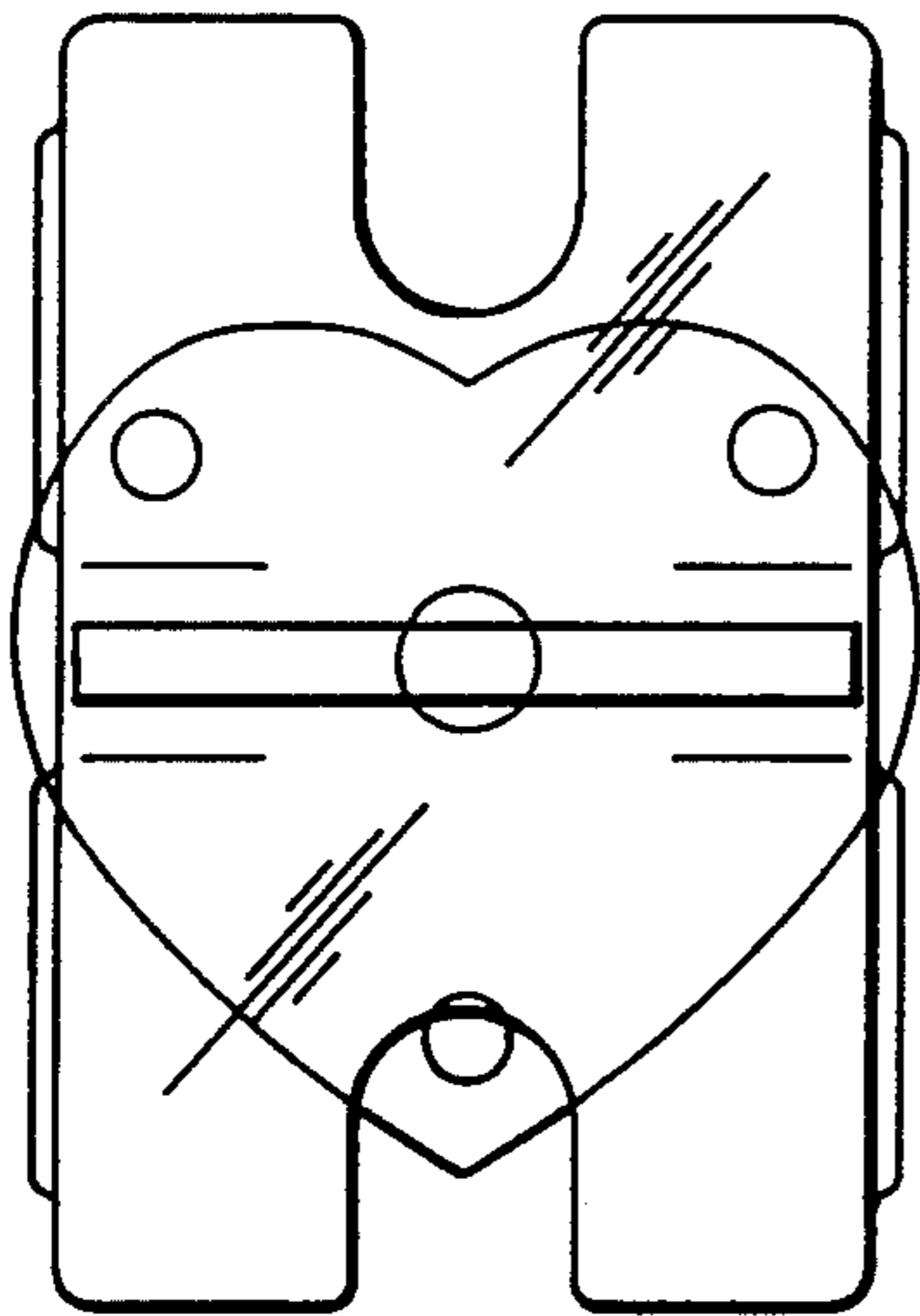


FIG. 8

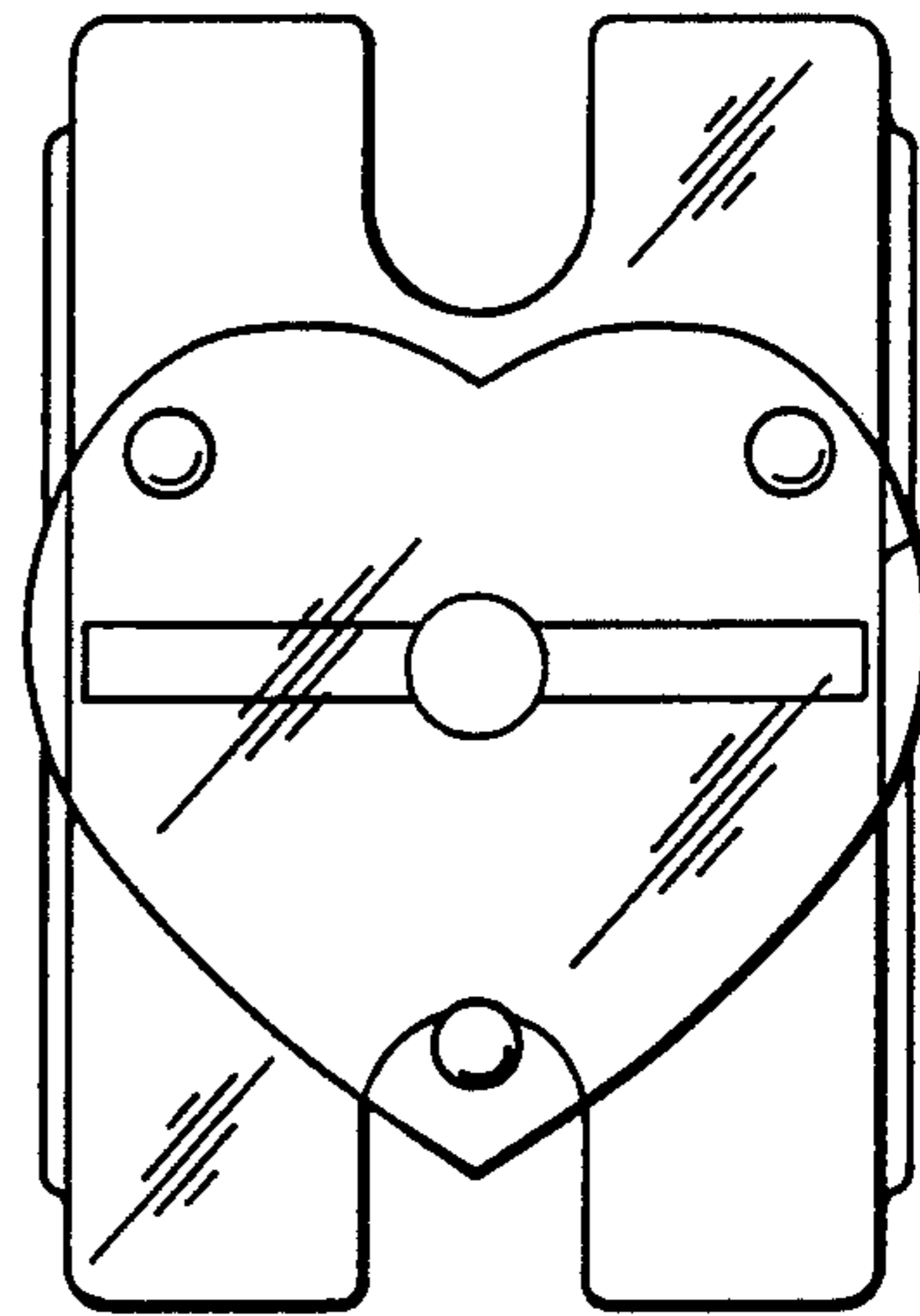


FIG. 9

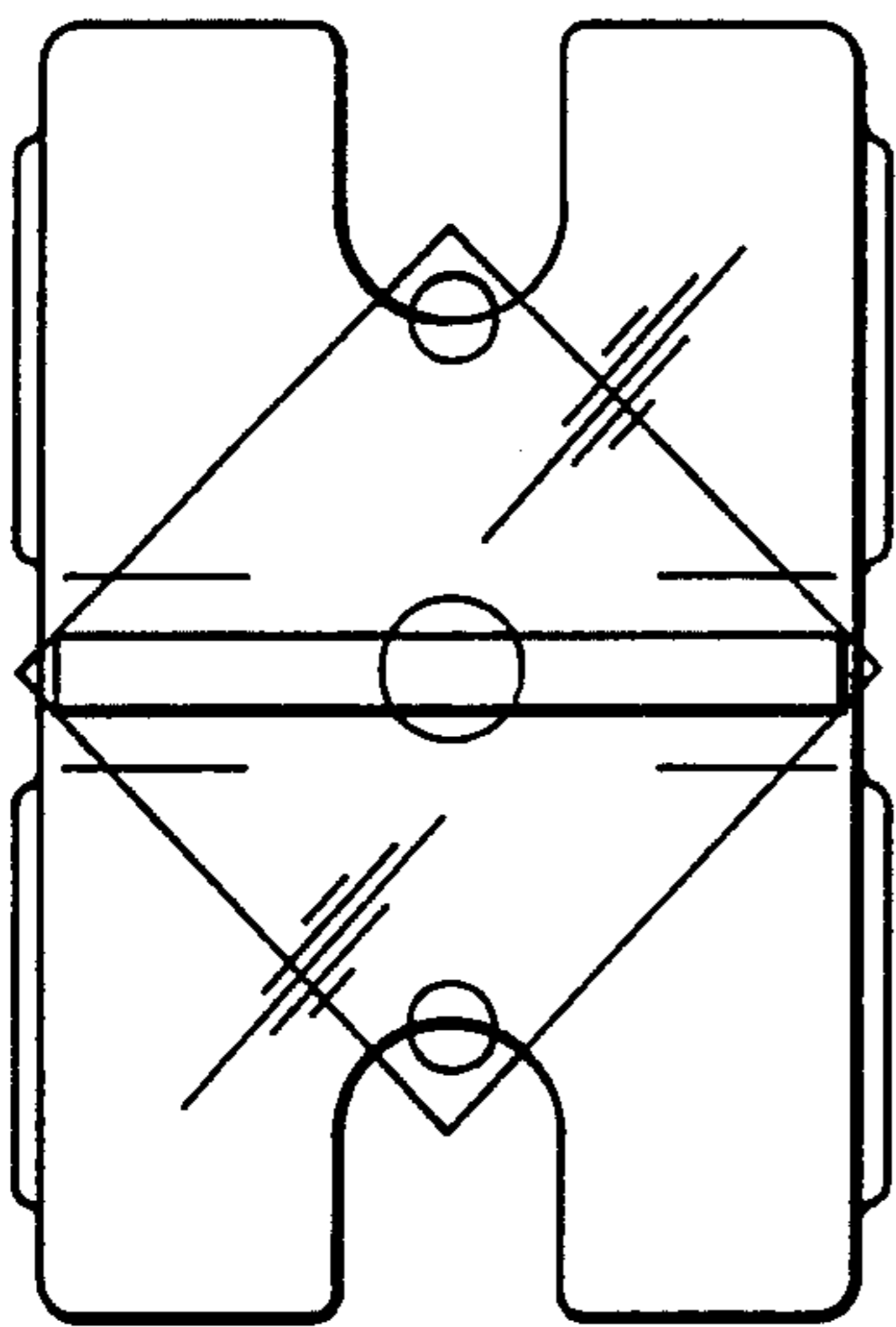


FIG. 10

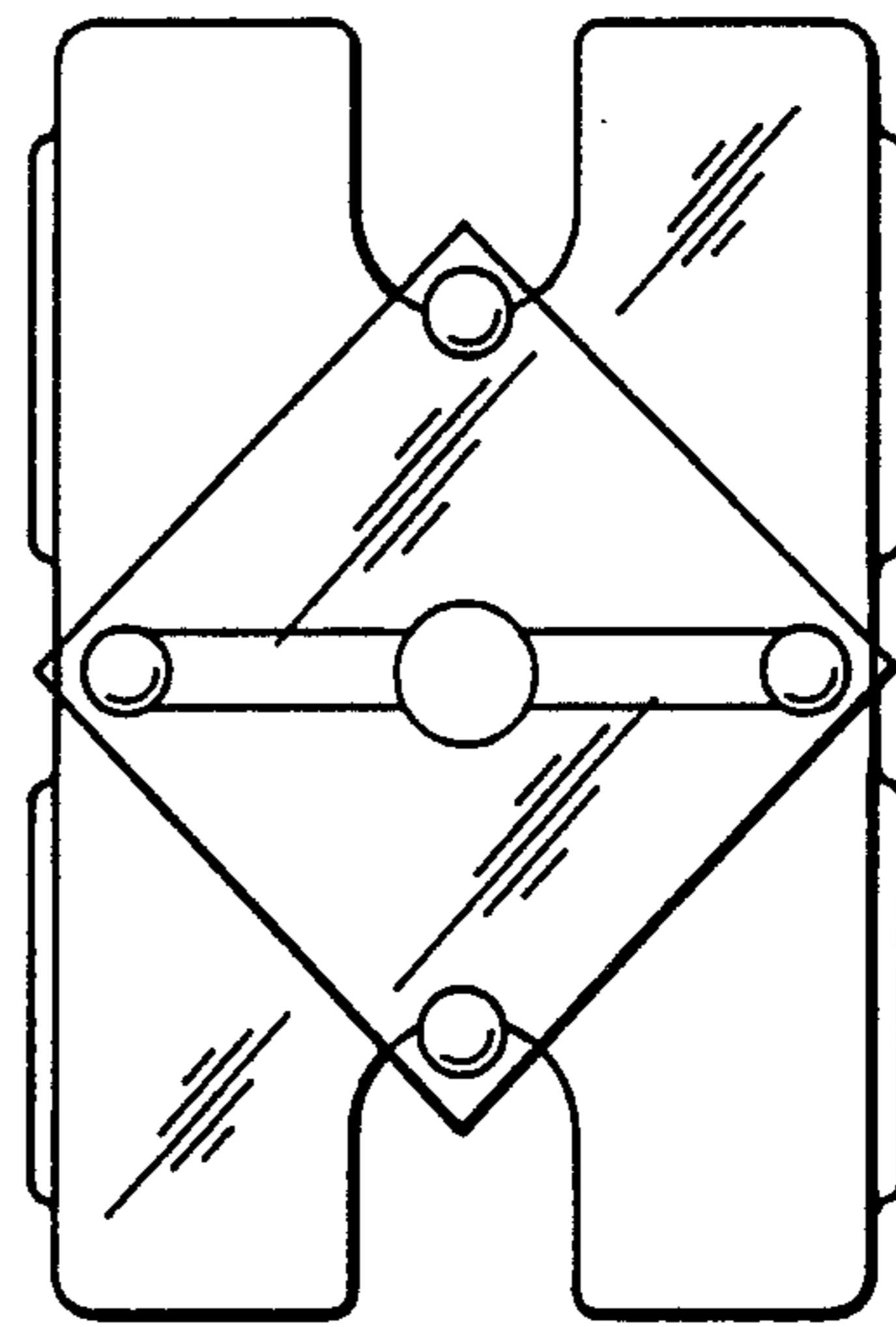


FIG. 11