

[54] COMBINED PENCIL SHARPENER AND LETTER OPENER

[75] Inventor: John S. Yuen, Kowloon, Hong Kong

[73] Assignee: John Manufacturing Limited, Kowloon, Hong Kong

[\*\*] Term: 14 Years

[21] Appl. No.: 323,983

[22] Filed: Mar. 15, 1989

[30] Foreign Application Priority Data

Sep. 22, 1988 [GB] United Kingdom ..... 1053688

[52] U.S. Cl. .... D19/73; D19/65; D19/100

[58] Field of Search ..... D19/36, 65, 72, 73, D19/95, 99, 100; D8/102; 30/451-457, 459; 144/28.1-28.9, 28.71, 28.11

[56] References Cited

U.S. PATENT DOCUMENTS

D. 219,719 1/1971 Fleming ..... D19/73

D. 238,669 2/1976 MacGregor ..... D19/73

D. 240,223 6/1976 MacGregor ..... D19/73

D. 250,035 10/1978 Kajiwara ..... D19/73

D. 251,008 2/1979 Kajiwara ..... D19/73

D. 265,323 7/1982 Macowski ..... D19/73

D. 297,438 8/1988 Evenson ..... D19/73

D. 298,340 11/1988 Yuen ..... D19/73

OTHER PUBLICATIONS

Home Furnishings Daily, 1/17/77, p. 19—ad for Sunbeam/Mr. Sharpy.

Primary Examiner—Bruce W. Dunkins

Assistant Examiner—Martha Thompson

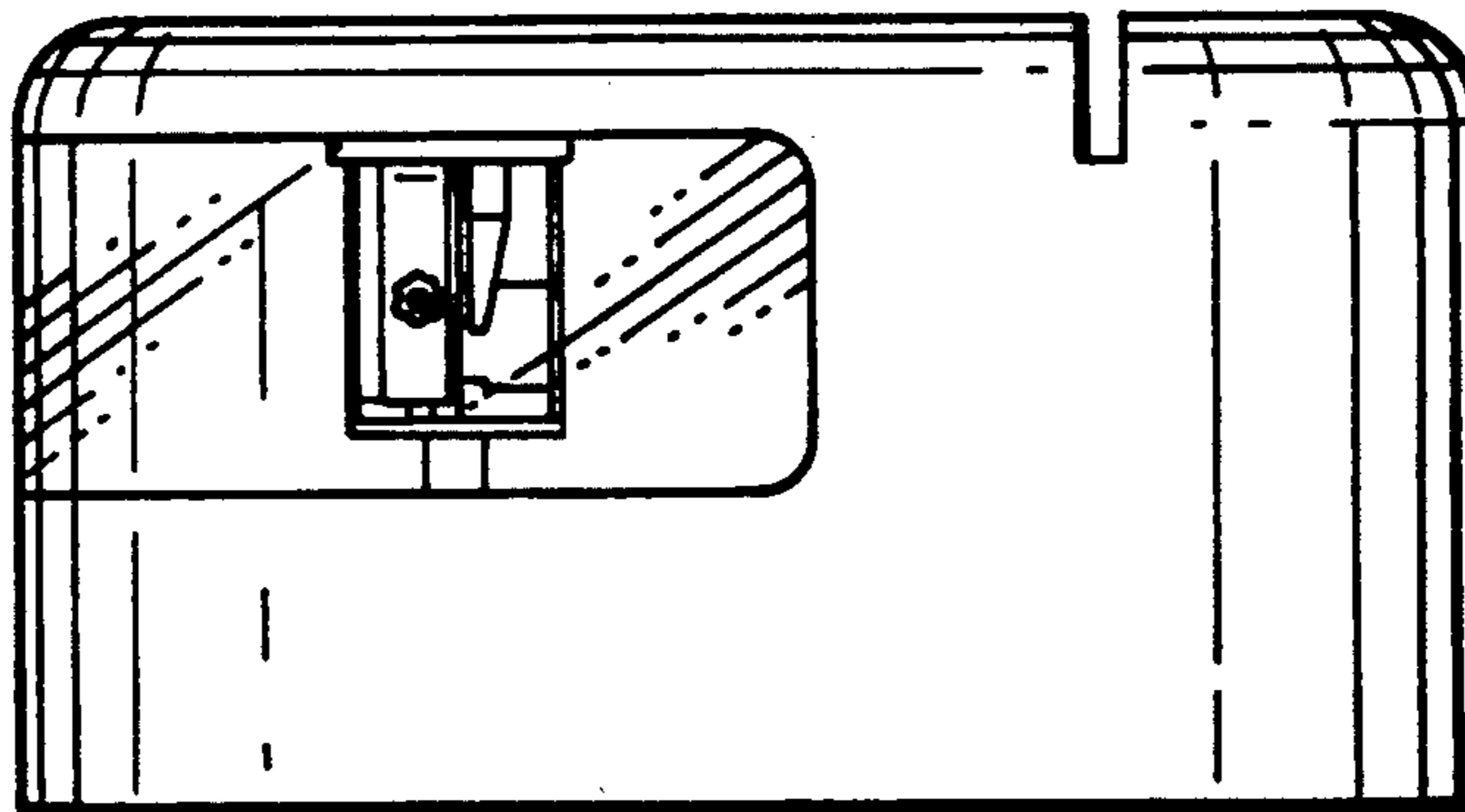
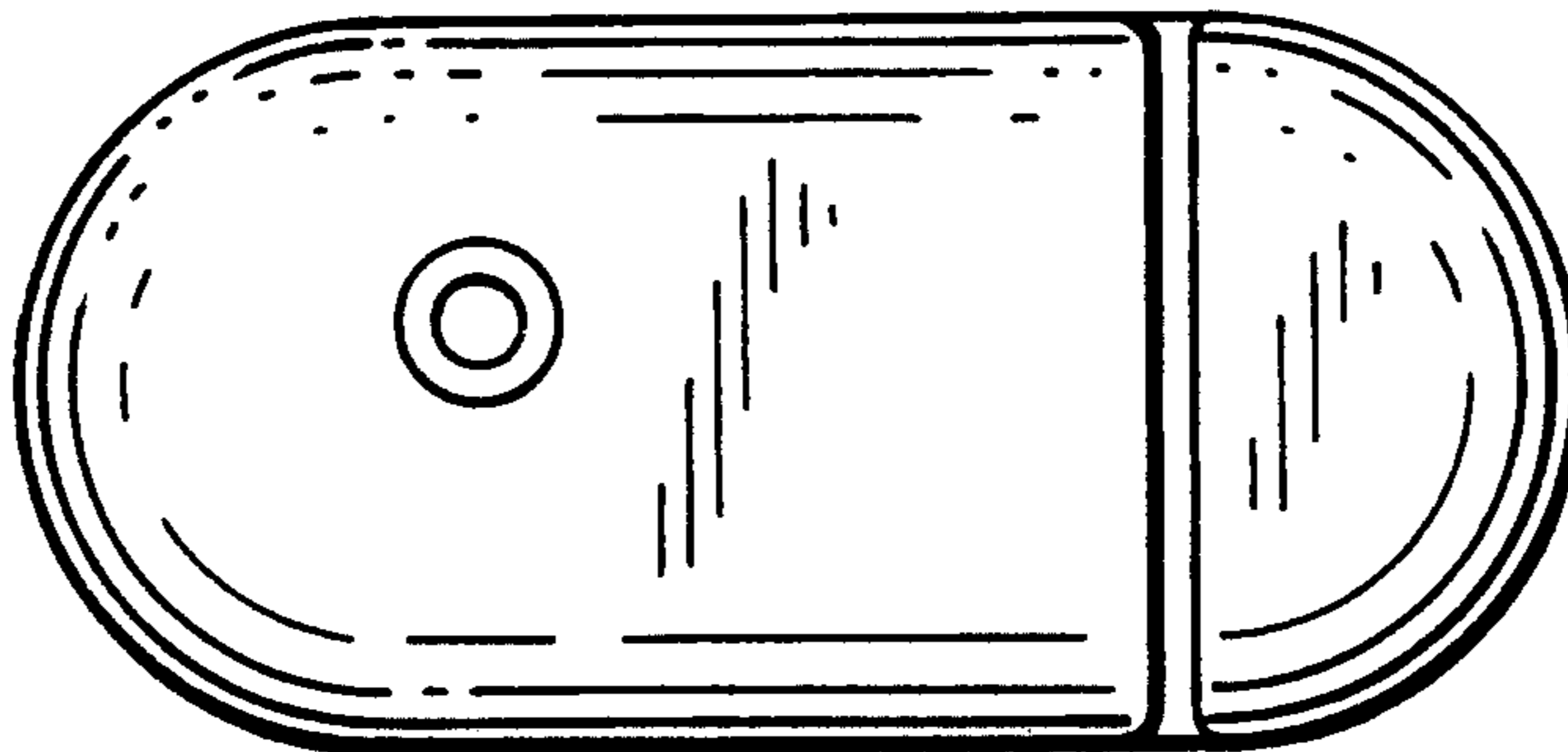
Attorney, Agent, or Firm—Fay, Sharpe, Beall, Fagan, Minnich & McKee

[57] CLAIM

The ornamental design for a combined pencil sharpener and letter opener, as shown and described.

DESCRIPTION

FIG. 1 is a top plan view of a combined pencil sharpener and letter opener showing my new design; FIG. 2 is a right side elevational view thereof; FIG. 3 is a bottom plan view thereof; FIG. 4 is a front elevational view thereof; FIG. 5 is a rear elevational view thereof; and FIG. 6 is a left side elevational view thereof.



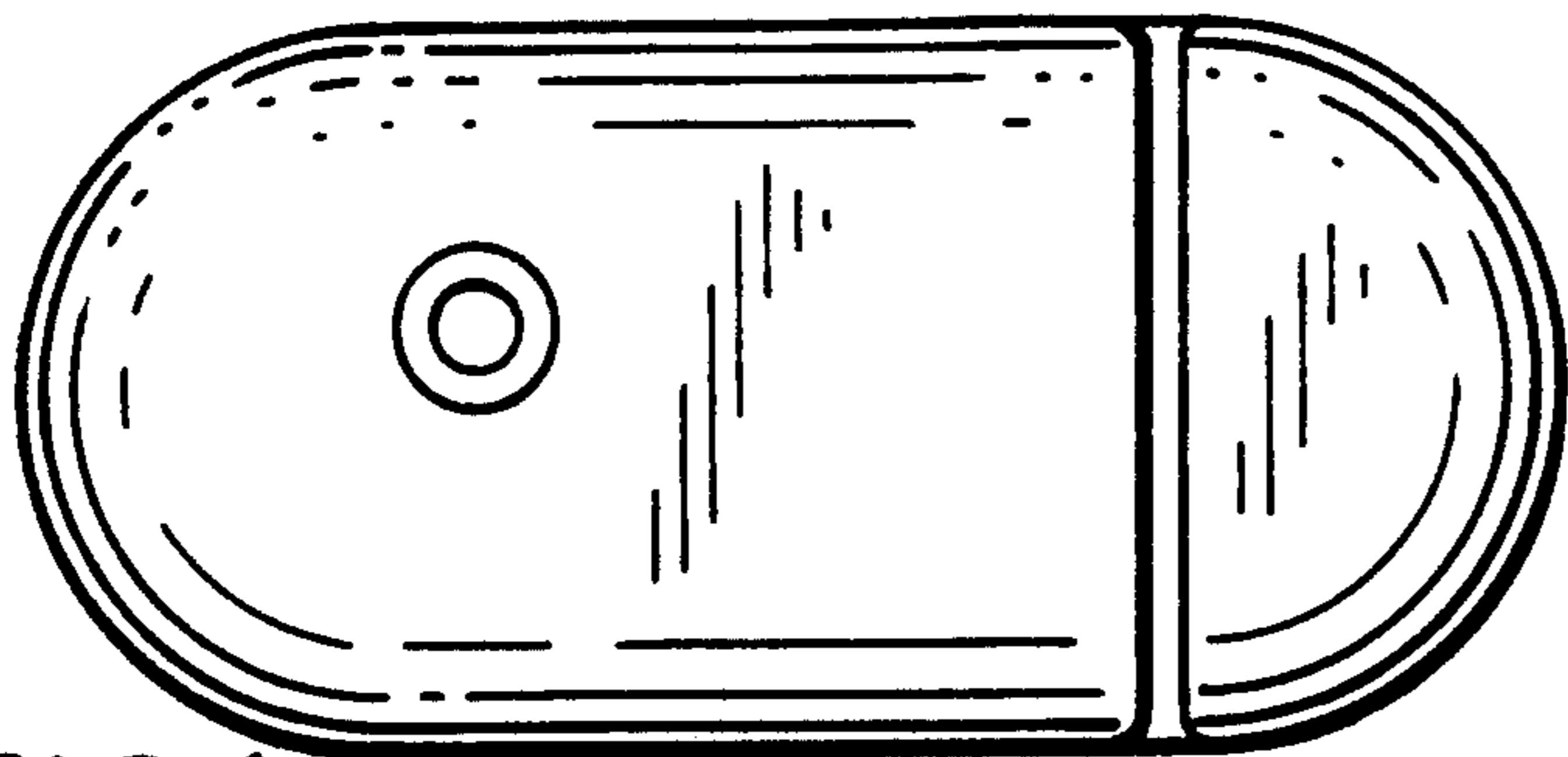


FIG. 1.

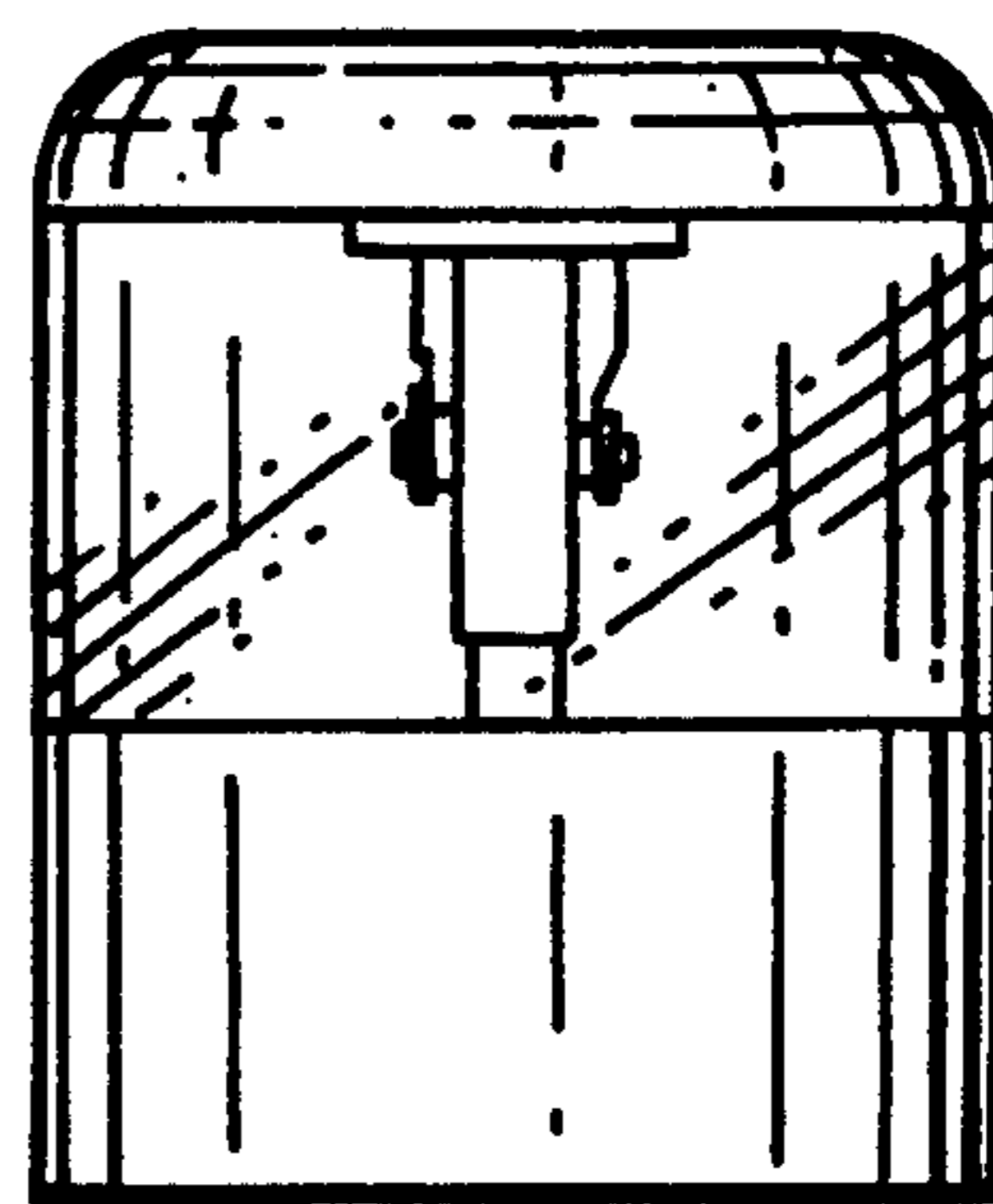


FIG. 4.

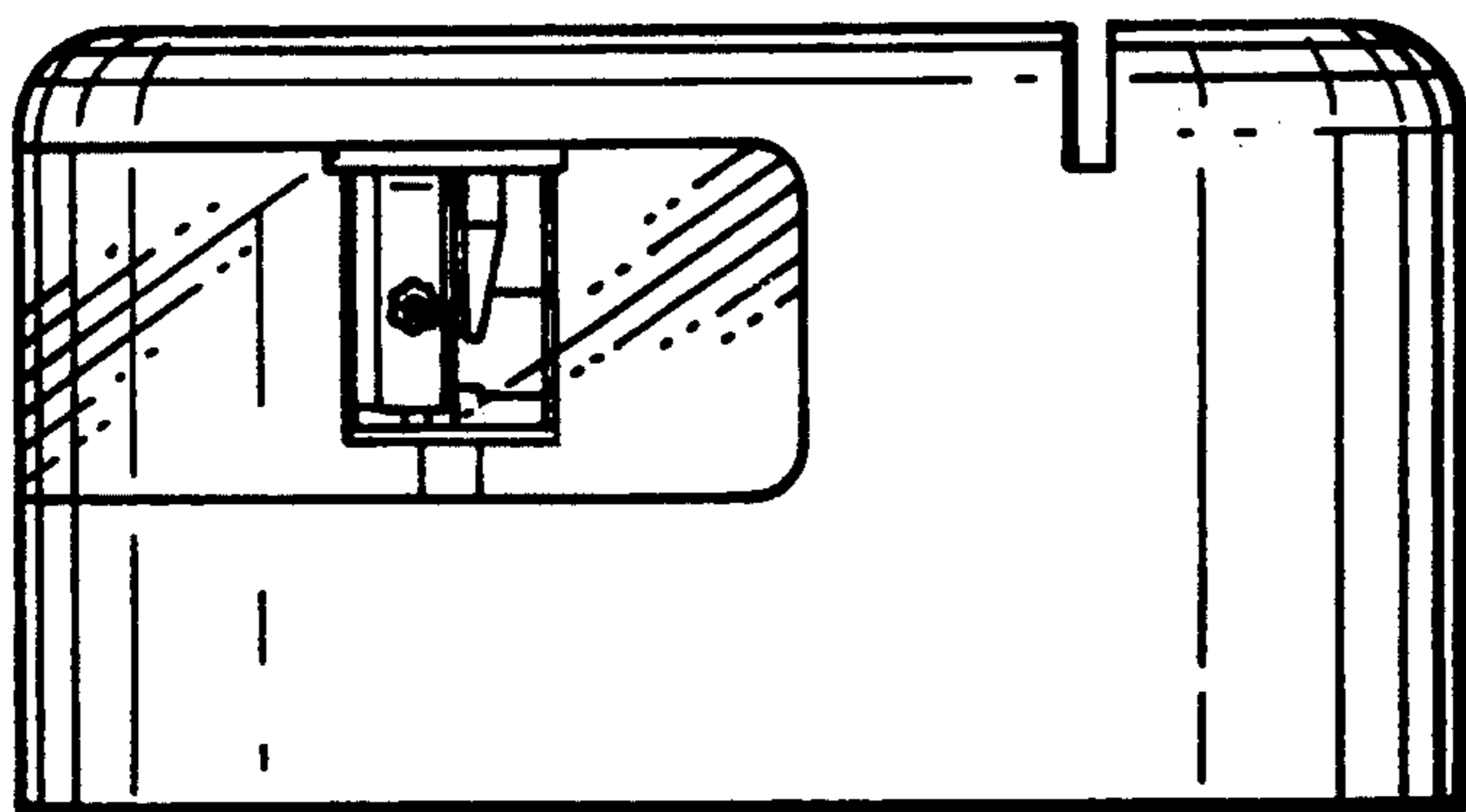


FIG. 2.

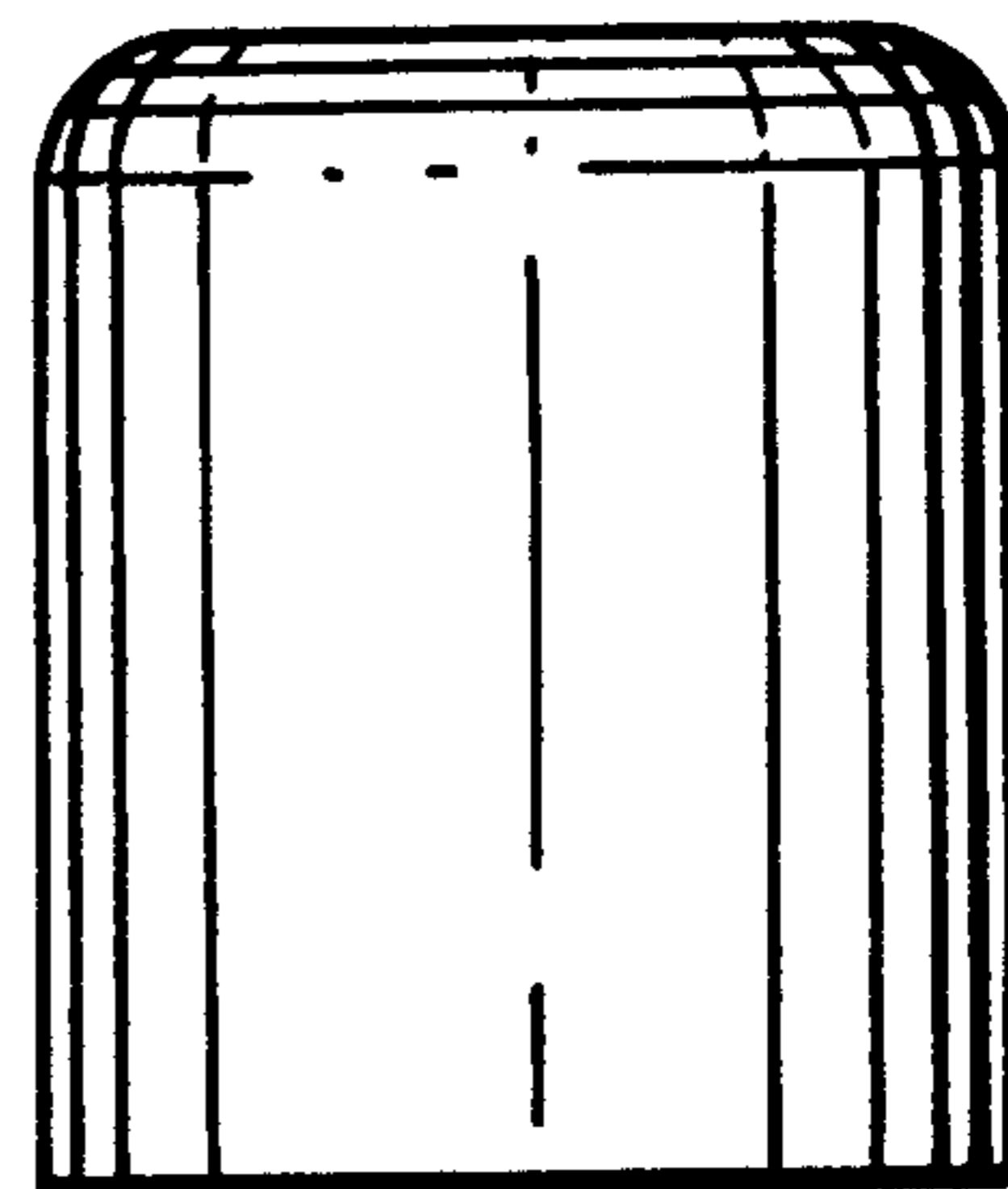


FIG. 5.

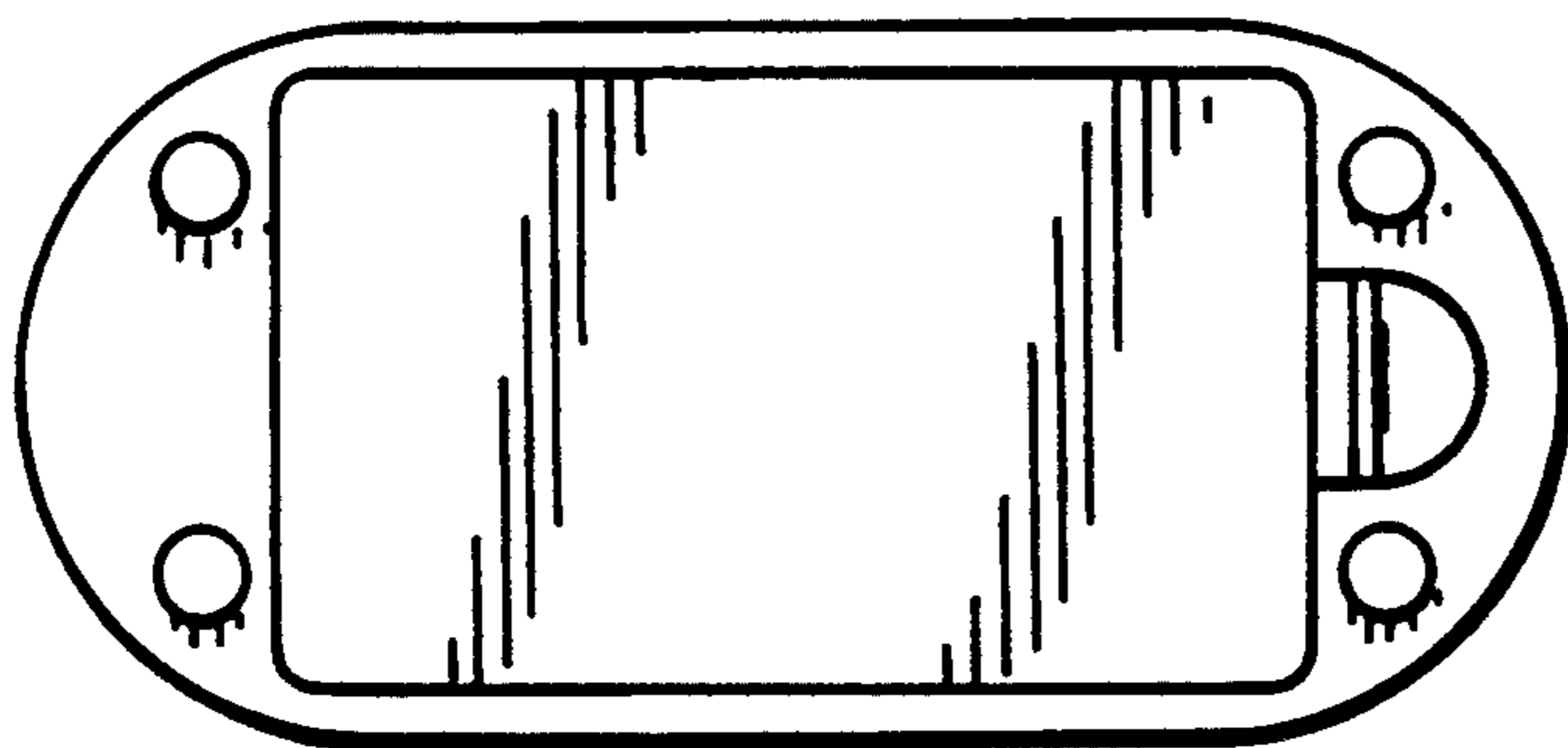


FIG. 3.

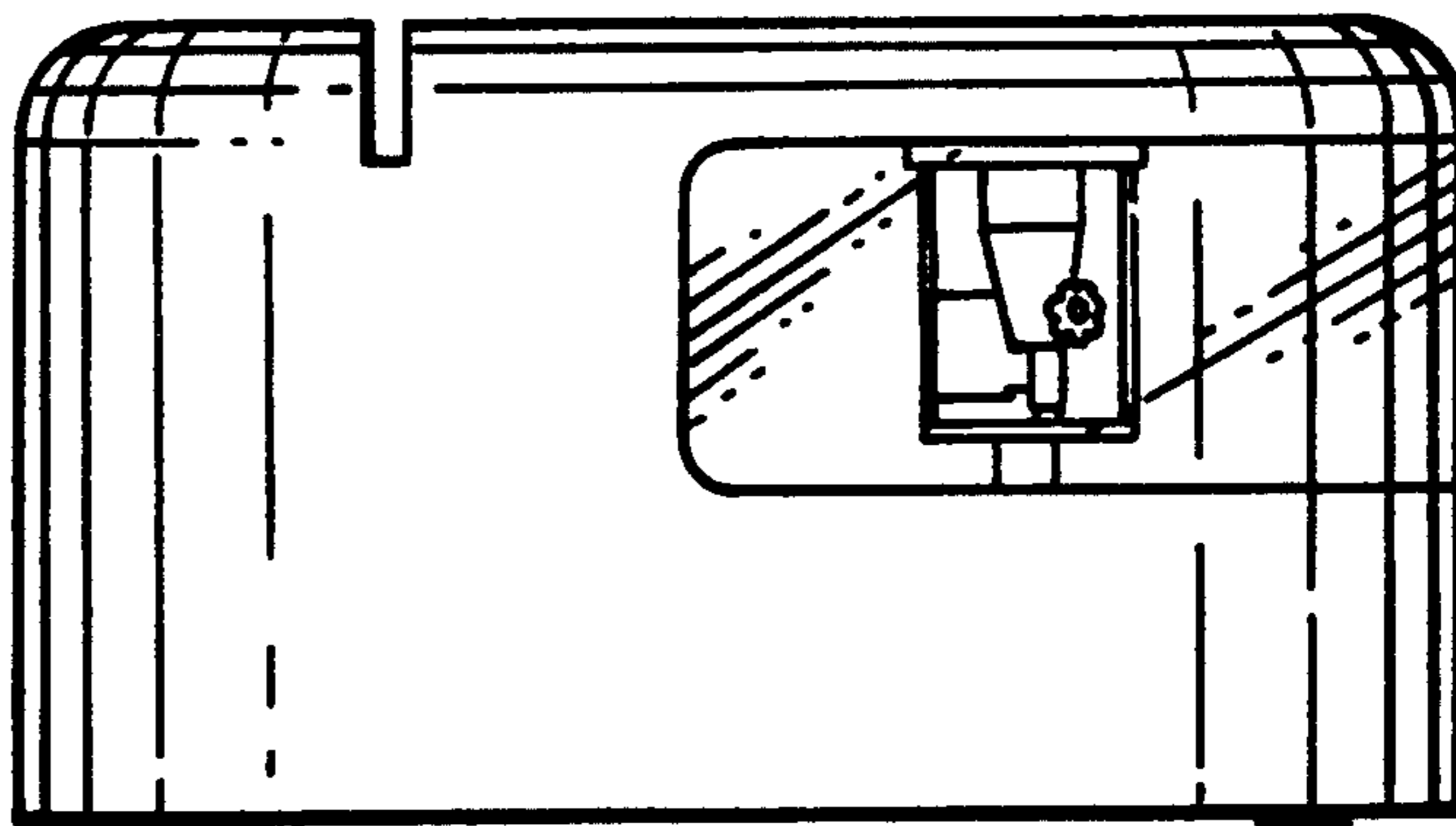


FIG. 6.