

[54] TONER CARTRIDGE FOR COPIER

[75] Inventors: Jun-ichi Koiso; Atsuo Omura, both of Hachioji, Japan

[73] Assignee: Konica Corporation, Tokyo, Japan

[**] Term: 14 Years

[21] Appl. No.: 461,456

[22] Filed: Jan. 5, 1990

[30] Foreign Application Priority Data

Jul. 17, 1989 [JP] Japan 1-26185

[52] U.S. Cl. D18/43

[58] Field of Search D18/43; D3/30.1; 118/657; 141/1; 206/216, 316, 446, 461, 467, 474, 495, 527, 532, 601, 628, 631, 633; 222/166, 240, 325, 541, DIG. 1; 355/200, 207, 244, 245, 260, 298, 309; D9/434-436, 438

[56] References Cited

U.S. PATENT DOCUMENTS

- D. 274,767 7/1984 Fuller D3/30.1
- D. 276,285 11/1984 Tober et al. D3/30.1
- D. 284,360 6/1986 Pollitz D3/30.1 X
- D. 284,865 7/1986 Gendron D18/43
- D. 298,332 11/1988 Yoshiyama D18/43
- 3,923,391 12/1975 Washio et al. 355/309 X
- 4,688,926 8/1987 Manno 355/260
- 4,732,277 3/1988 Smith 206/633
- 4,827,307 5/1989 Zoltner 355/260 X

- 4,878,603 11/1989 Ikesue et al. 355/245 X
- 4,963,940 10/1990 Nemoto et al. 355/260

FOREIGN PATENT DOCUMENTS

- 0021166 2/1981 Japan 355/260
- 0049381 3/1987 Japan 355/260
- 0173482 7/1987 Japan 355/260
- 0291680 12/1987 Japan 355/207

OTHER PUBLICATIONS

U.S. S.I.R. H803, Sherrington, published 8/1990, filed 3/1989.

Primary Examiner—Nelson C. Holtje
Assistant Examiner—Caron D. Veynar
Attorney, Agent, or Firm—Jordan B. Bierman

[57] CLAIM

The ornamental design for a toner cartridge for copier, as shown and described.

DESCRIPTION

FIG. 1 is a top, front and right side perspective view of a toner cartridge for copier showing our new design; FIG. 2 is a bottom and right side perspective view thereof; FIG. 3 is a front elevational view thereof; FIG. 4 is a rear elevational view thereof; FIG. 5 is a top plan view thereof; FIG. 6 is a bottom plan view thereof; FIG. 7 is a left side elevational view thereof; and FIG. 8 is a right side elevational view thereof.

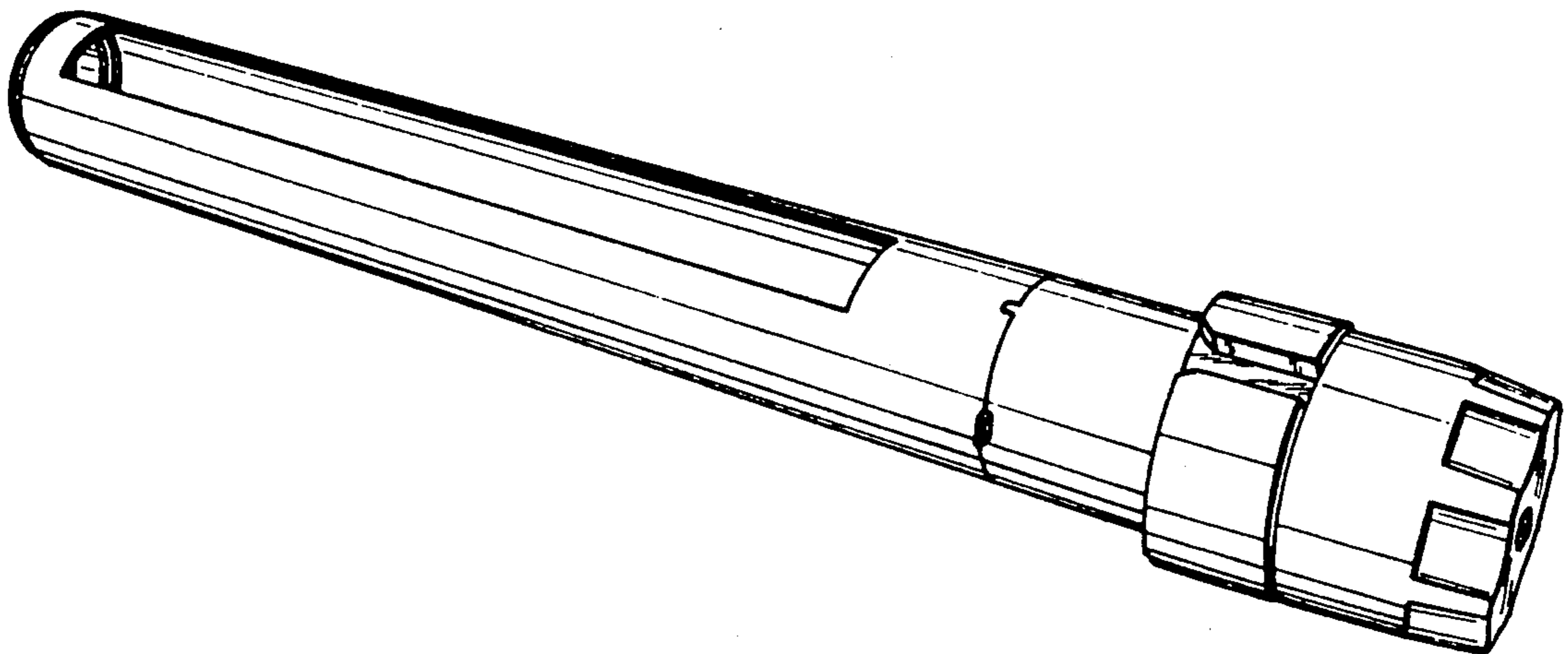


FIG. 1

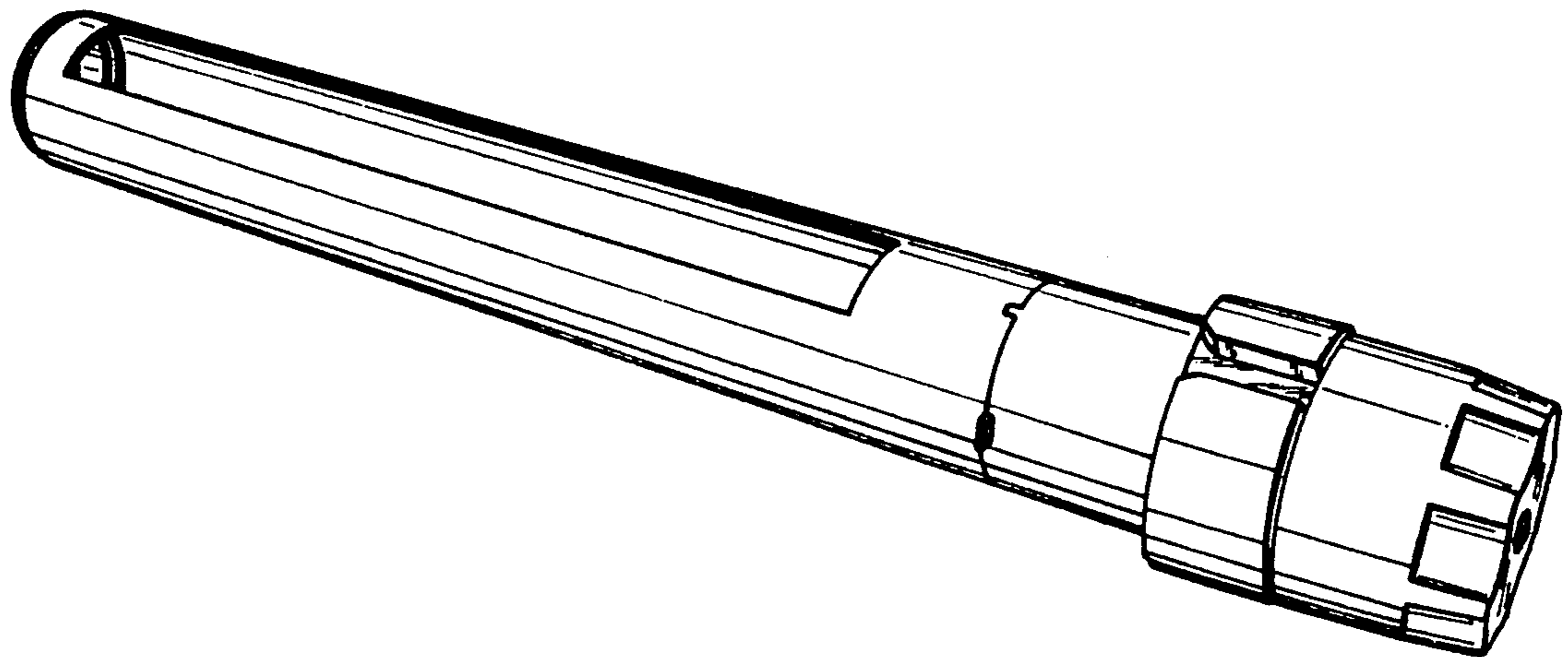


FIG. 2

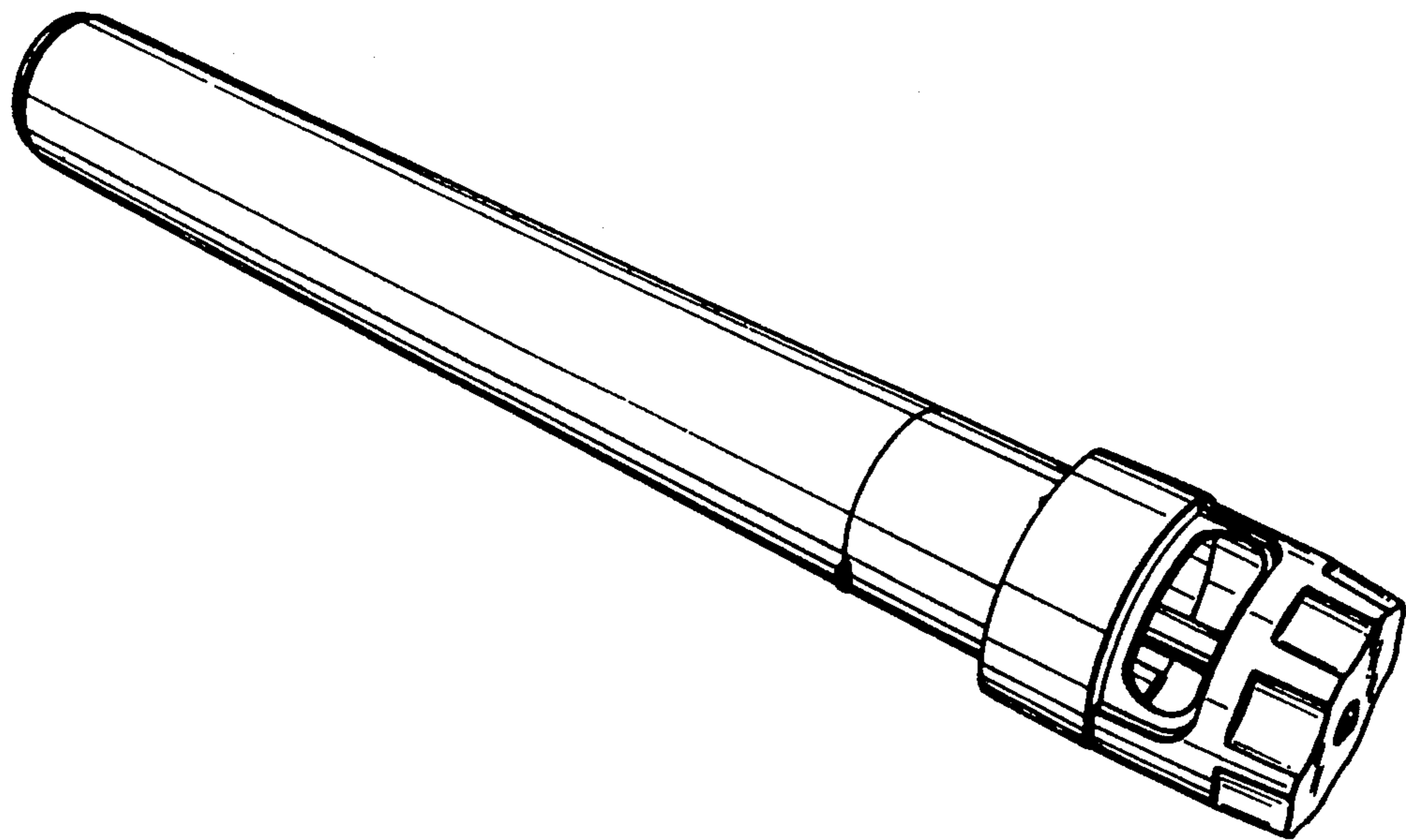


FIG. 3

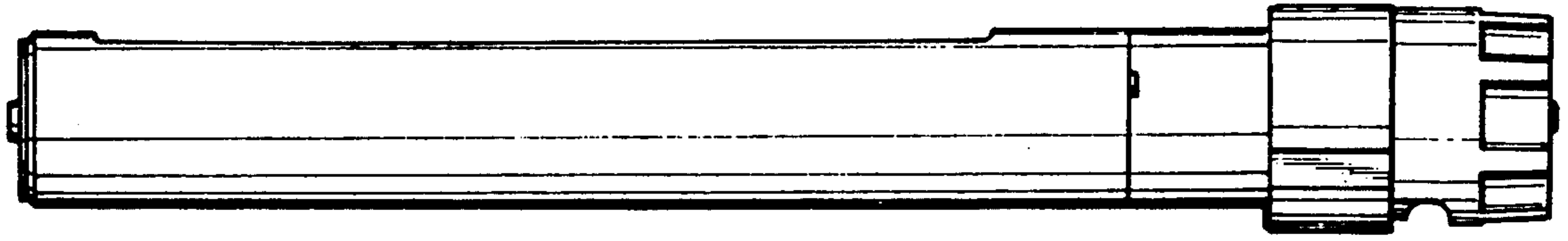


FIG. 4

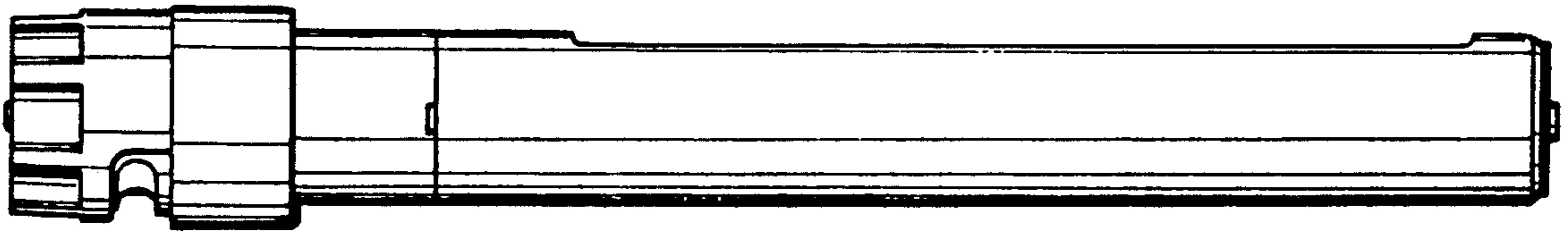


FIG. 5

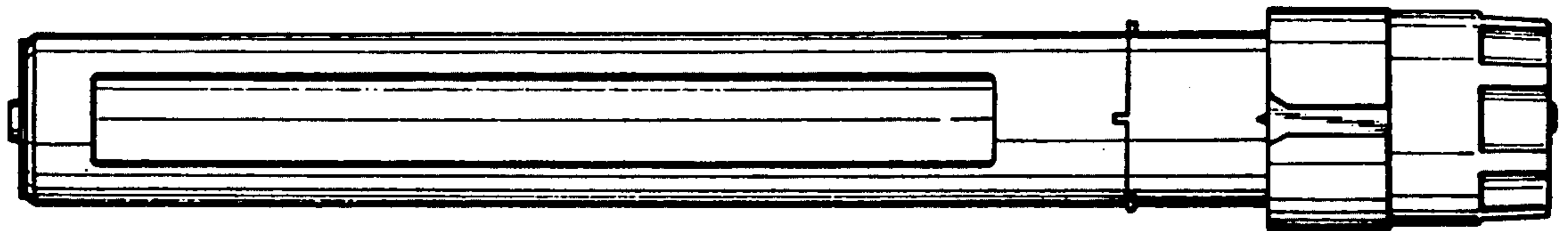


FIG. 6

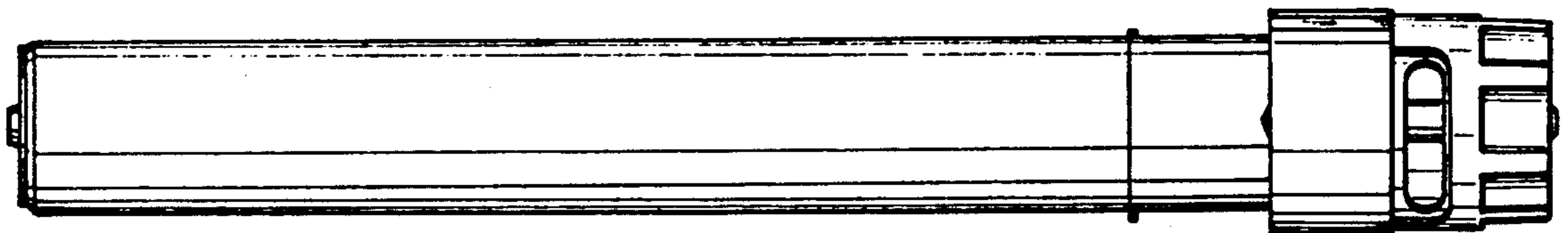


FIG. 7

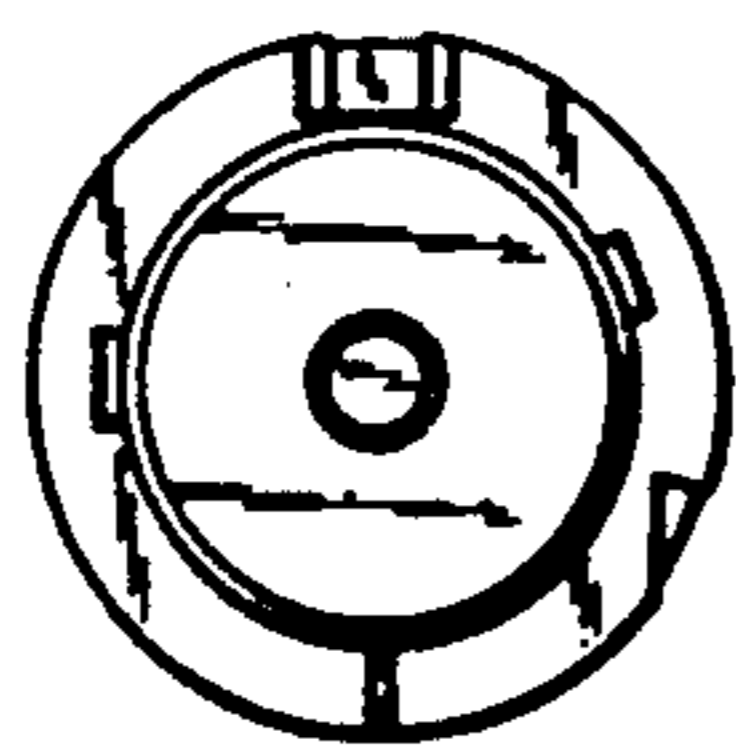


FIG. 8

