

[54] DOCUMENT SHREDDER

[75] Inventors: Klaus-Diether Krause, Diethenhofen; Florian Stolzenberger, Altenthann, both of Fed. Rep. of Germany

[73] Assignee: TA Triumph-Adler AG, Nuremberg, Fed. Rep. of Germany

[**] Term: 14 Years

[21] Appl. No.: 338,063

[22] Filed: Apr. 14, 1989

[30] Foreign Application Priority Data

Oct. 25, 1988 [DE] Fed. Rep. of Germany DM/012040

[52] U.S. Cl. D18/34

[58] Field of Search D18/34; D15/127; 241/285 R, 285 A, 285 B

[56] References Cited

U.S. PATENT DOCUMENTS

D. 225,179	11/1972	Macourki	D18/34
D. 277,190	1/1985	Sadler	D18/34
D. 293,684	1/1988	Sadler et al.	D18/34
D. 298,435	11/1988	Buteau	D18/34
4,798,116	1/1989	Suiver et al.	241/285 R X

Primary Examiner—Susan J. Lucas
Assistant Examiner—M. H. Tung
Attorney, Agent, or Firm—Browdy and Neimark

[57] CLAIM

The ornamental design for a document shredder, as shown and described.

DESCRIPTION

FIG. 1 is a front, top, left side perspective view of a document shredder showing our new design; FIG. 2 is a rear elevational view thereof; FIG. 3 is a top plan view thereof; FIG. 4 is a bottom plan view thereof; and FIG. 5 is a right side elevational view thereof.

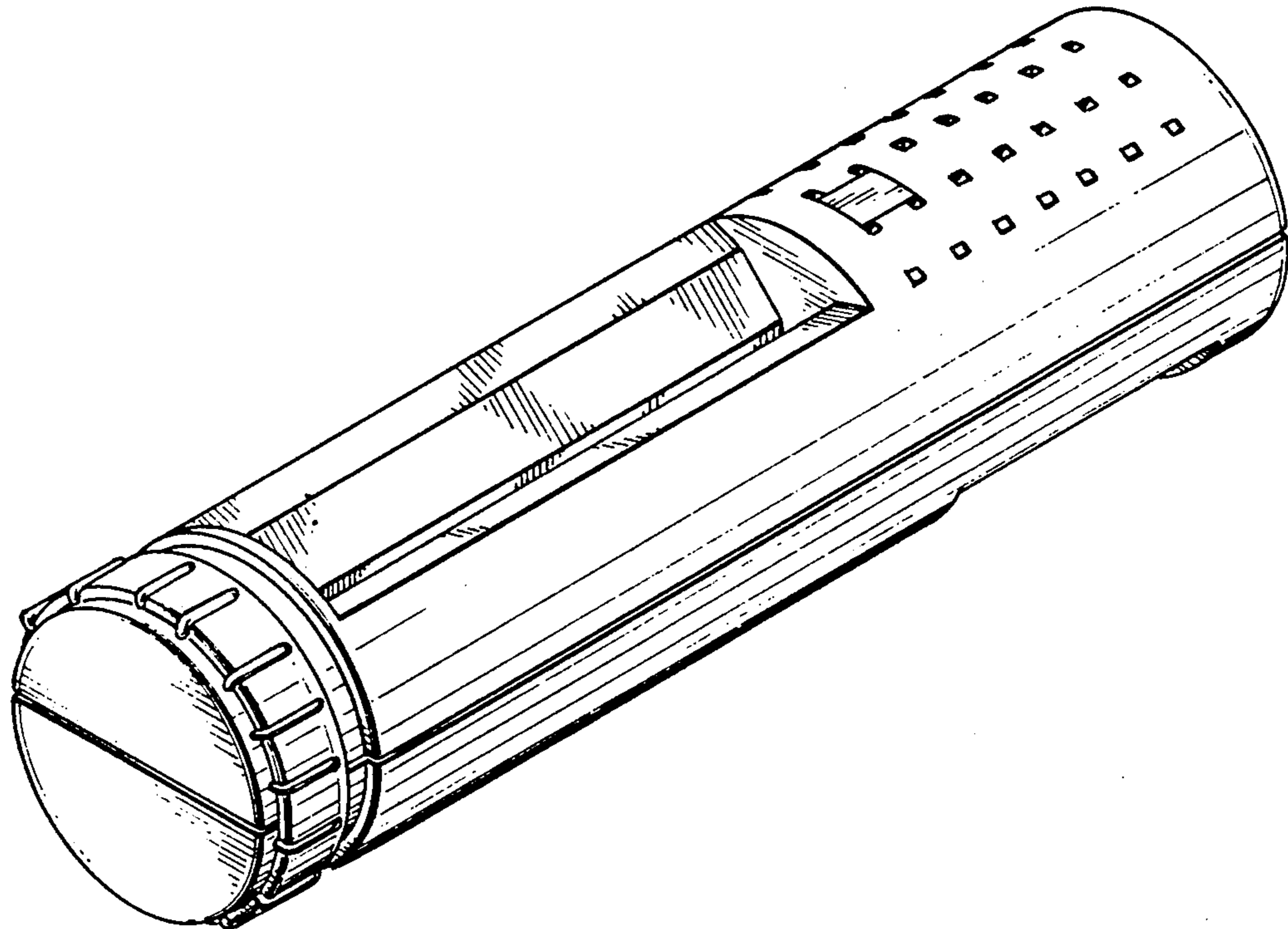


FIG. 1

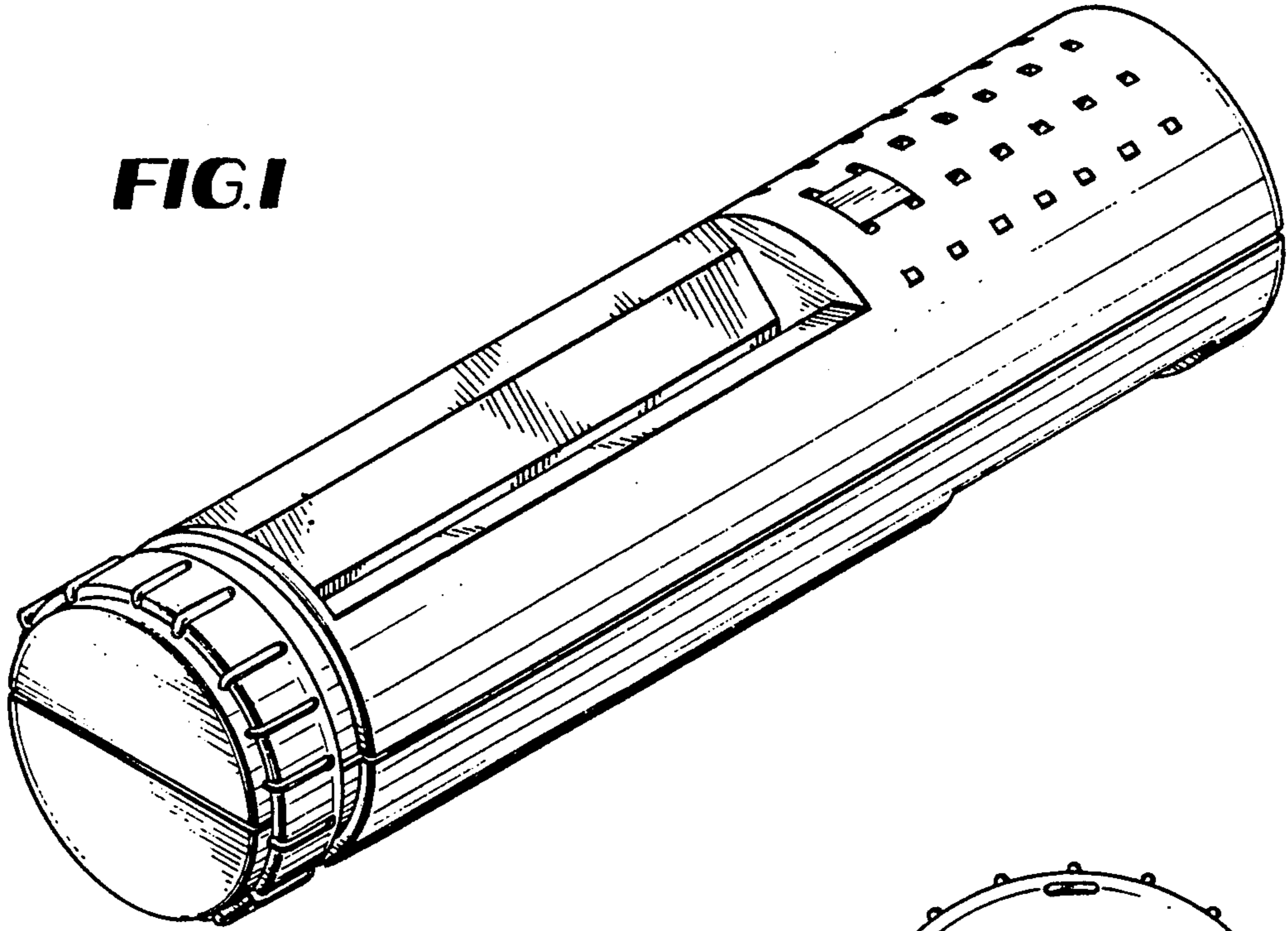


FIG. 5

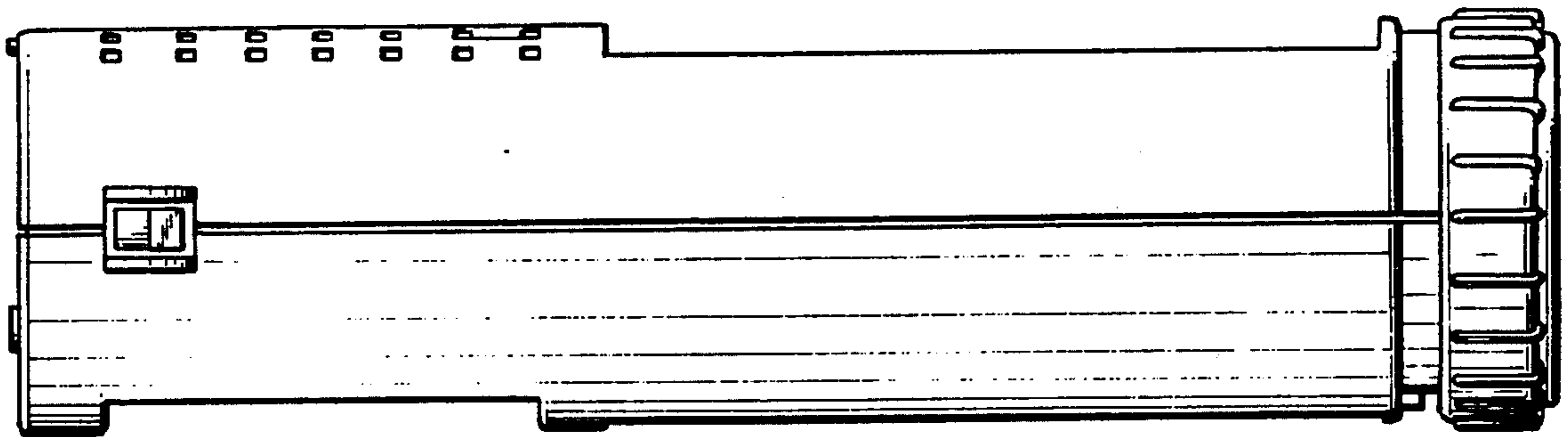
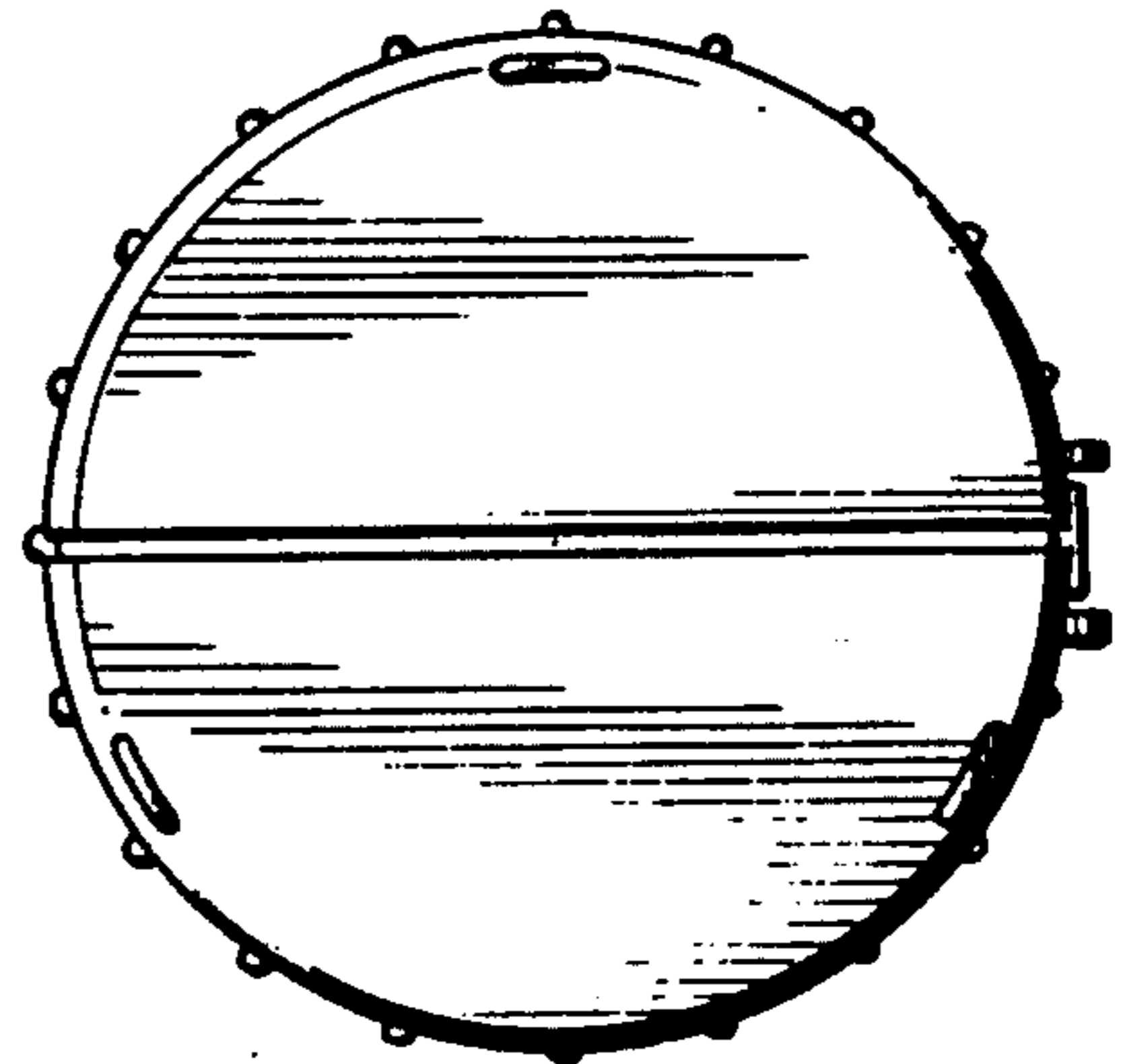


FIG. 2

FIG.3

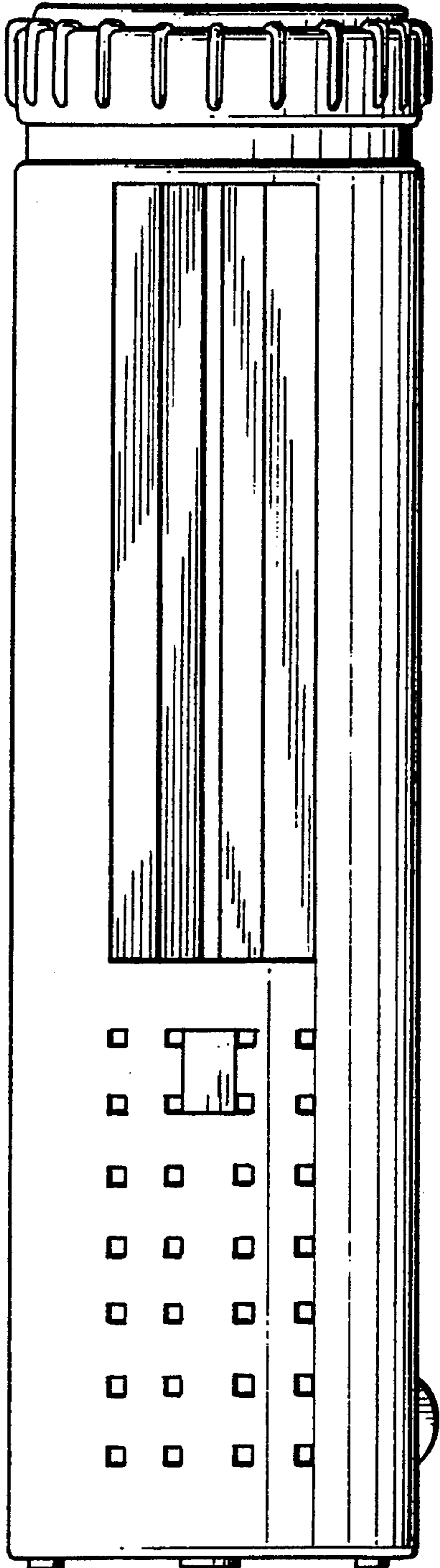


FIG.4

