

# United States Patent [19]

Sassmannshausen et al.

[11] Patent Number: Des. 320,805

[45] Date of Patent: \*\* Oct. 15, 1991

[54] THUMBSCREW FOR DRUMS OR THE LIKE

[56]

### References Cited

[75] Inventors: **Werner Sassmannshausen; Werner Sassmannshausen**, both of Bad Berleburg, Fed. Rep. of Germany

[73] Assignee: **Johs. Link GmbH & Co. KG**, Bad Berleburg, Fed. Rep. of Germany

[\*\*] Term: **14 Years**

[21] Appl. No.: **452,957**

[22] Filed: **Dec. 19, 1989**

### [30] Foreign Application Priority Data

Jun. 19, 1989 [DE]	Fed. Rep. of Germany .....	M8904320.0
Jun. 19, 1989 [DE]	Fed. Rep. of Germany .....	M8904321.9
[52] U.S. Cl. ....	D17/22; D8/387	
[58] Field of Search .....	D8/387, 398; D17/22; 84/413; 411/378, 409, 411	

### U.S. PATENT DOCUMENTS

2,639,622	5/1953	Ginder .....	411/409
3,405,588	10/1968	Della-Porta .....	D17/22
3,427,917	2/1969	Thompson .....	D17/22
4,870,883	10/1989	Gauger .....	84/413

### FOREIGN PATENT DOCUMENTS

1446871	8/1976	United Kingdom .....	84/413
---------	--------	----------------------	--------

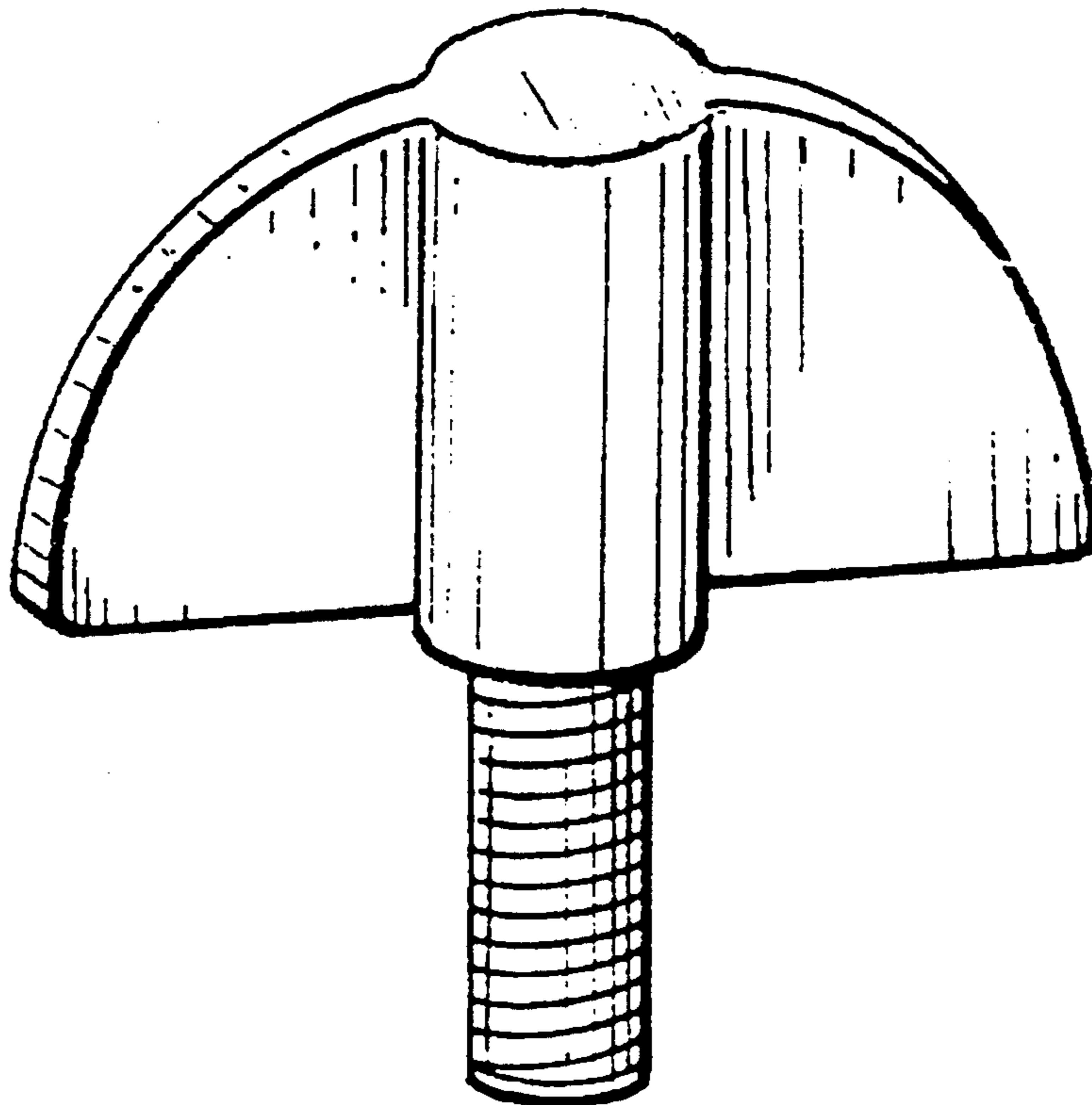
*Primary Examiner*—B. J. Bullock  
*Attorney, Agent, or Firm*—Toren, McGeedy & Associates

### [57] CLAIM

The ornamental design for a thumbscrew for drums or the like, as shown.

### DESCRIPTION

FIG. 1 is a perspective view of a thumbscrew for drums or the like showing our new design; FIG. 2 is a side view thereof, both sides being identical; FIG. 3 is a front view thereof, the rear being identical; FIG. 4 is a bottom view thereof; and FIG. 5 is a top view thereof.



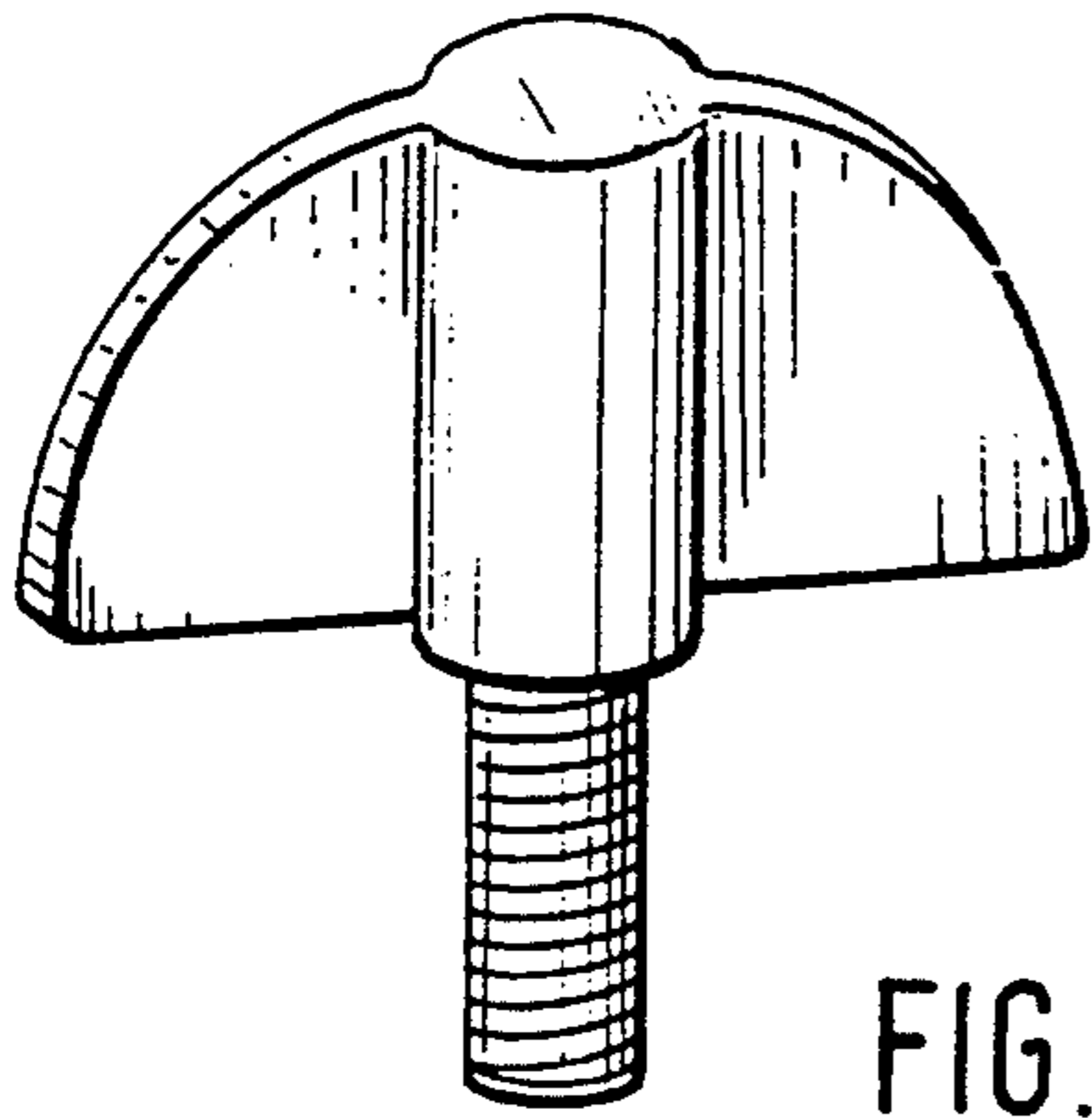


FIG. 1

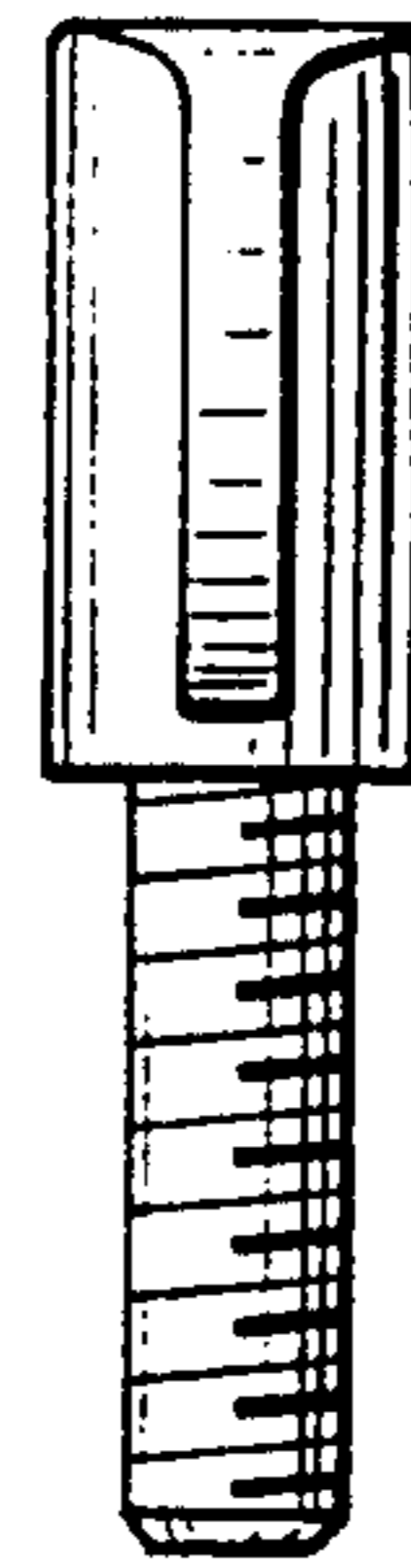


FIG. 2

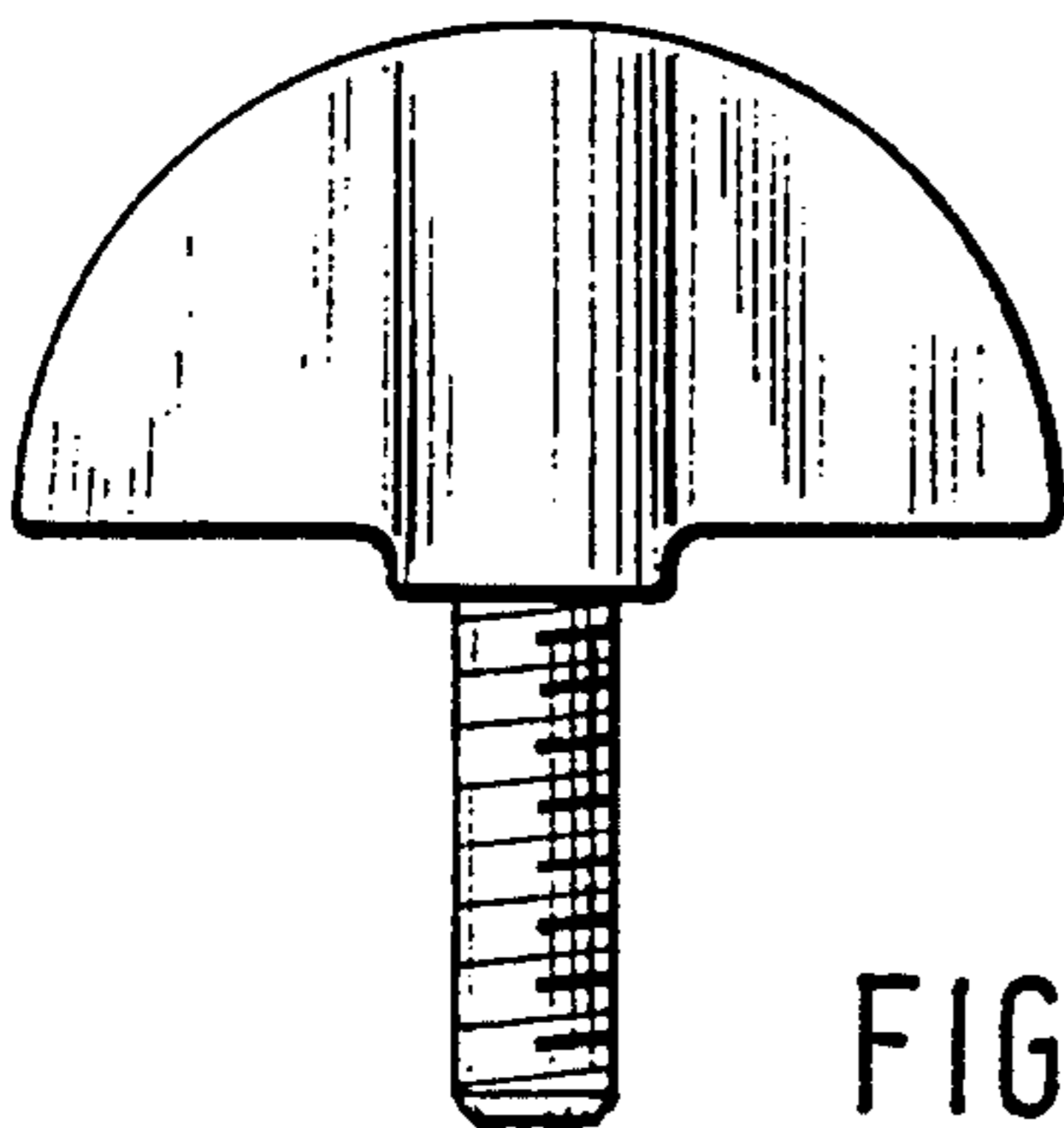


FIG. 3



FIG. 4



FIG. 5