

[54] BEVERAGE CAN CRUSHER
 [75] Inventor: Roger D. McIntosh, Yelm, Wash.
 [73] Assignee: American Eco-Tech Corporation,
 Shelton, Wash.
 [**] Term: 14 Years
 [21] Appl. No.: 223,994
 [22] Filed: Jul. 25, 1988
 [52] U.S. Cl. D15/123
 [58] Field of Search D15/122, 123; 100/295,
 100/240, 268, 289, 226, 227, 229 R, 296, 902,
 293

3,934,498 1/1976 Hochanadel 100/293 X
 4,240,341 12/1980 Whippel et al. 100/902 X
 4,414,891 11/1983 Kitzman 100/295 X
 4,570,536 2/1986 Dodd 100/268 X
 4,848,222 7/1989 Fleissner 100/246 X

Primary Examiner—Nelson C. Holtje
 Assistant Examiner—Antoine D. Davis
 Attorney, Agent, or Firm—Brian J. Coyne

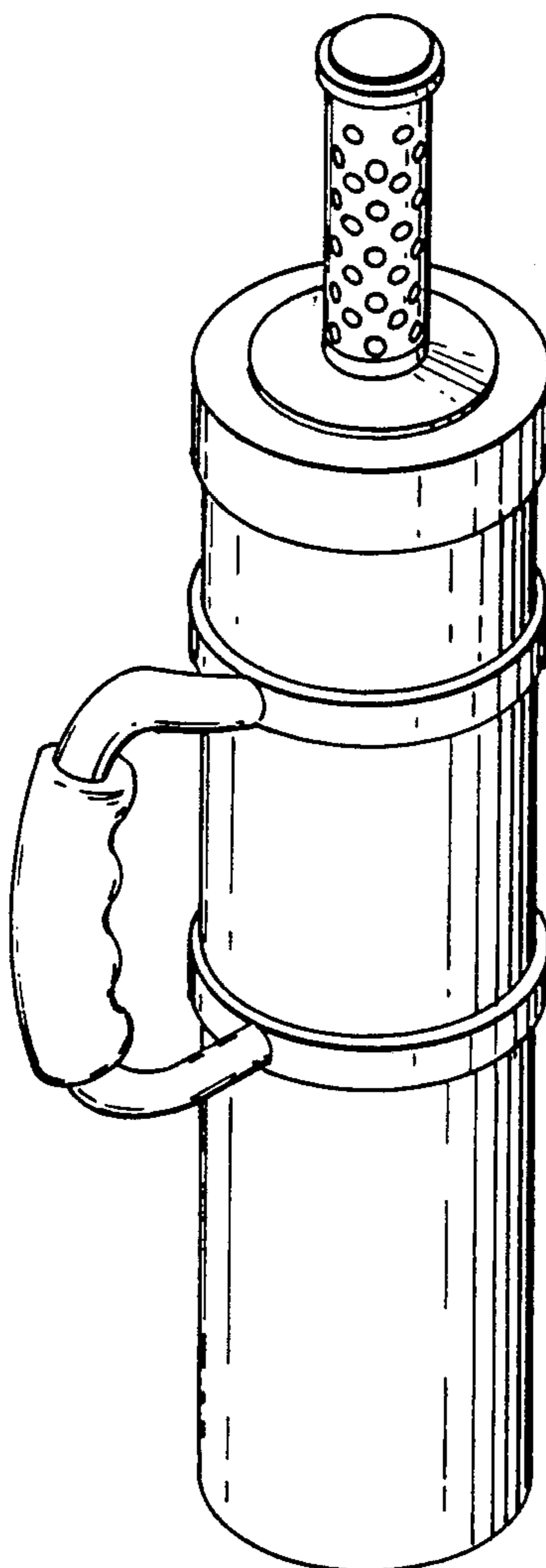
[57] CLAIM

The ornamental design for a beverage can crusher, as shown and described.

DESCRIPTION

FIG. 1 is a front, top and right side perspective view of a beverage can crusher, showing my new design;
 FIG. 2 is a top plan view;
 FIG. 3 is a rear elevational view;
 FIG. 4 is a right side elevational view, the left side elevational view being a mirror image; and
 FIG. 5 is a bottom plan view thereof.

[56] References Cited
 U.S. PATENT DOCUMENTS
 29,633 11/1898 Worth D15/123
 D. 210,621 3/1968 Tezuka D15/123
 D. 253,771 12/1979 Hubbard et al. D15/123



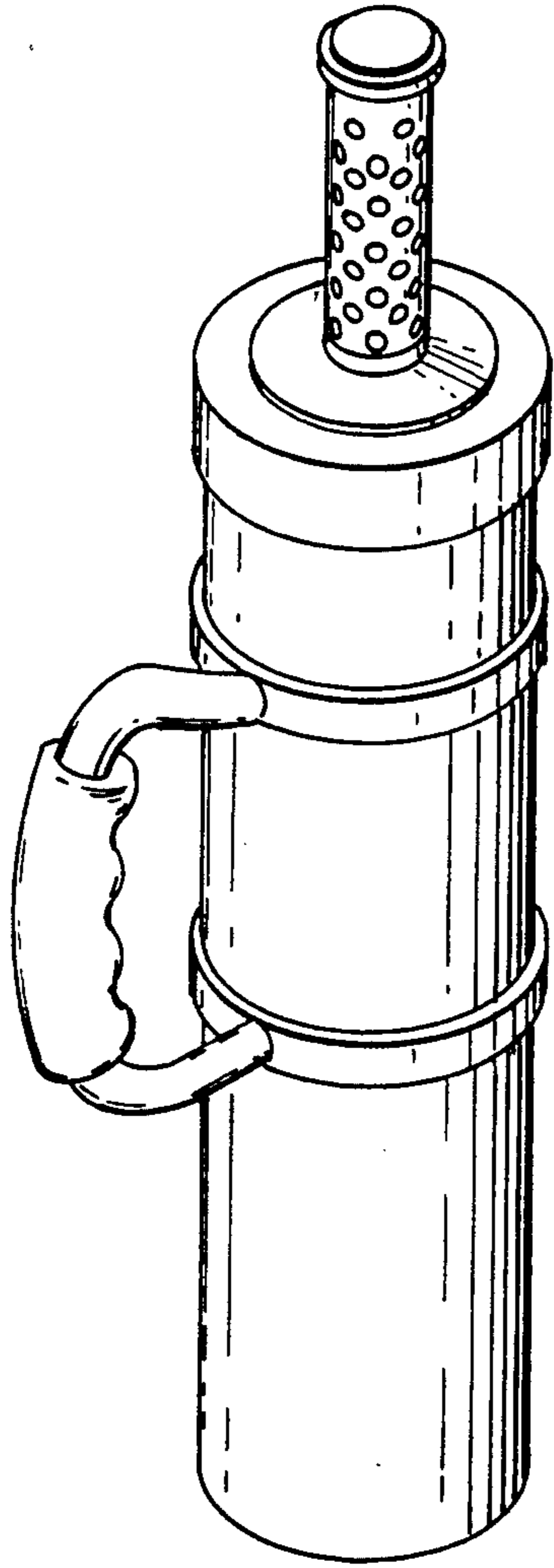


FIG. 1

FIG. 3

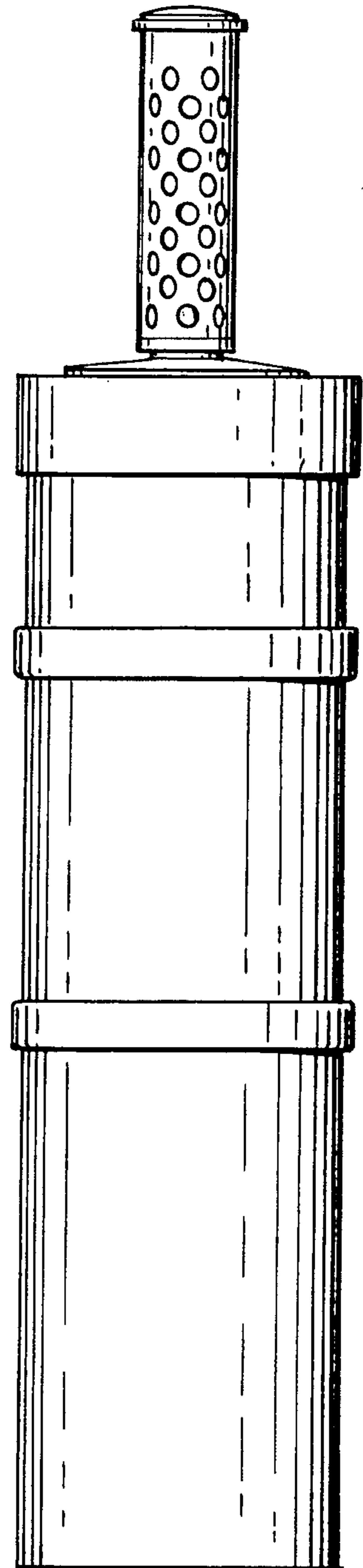


FIG. 2

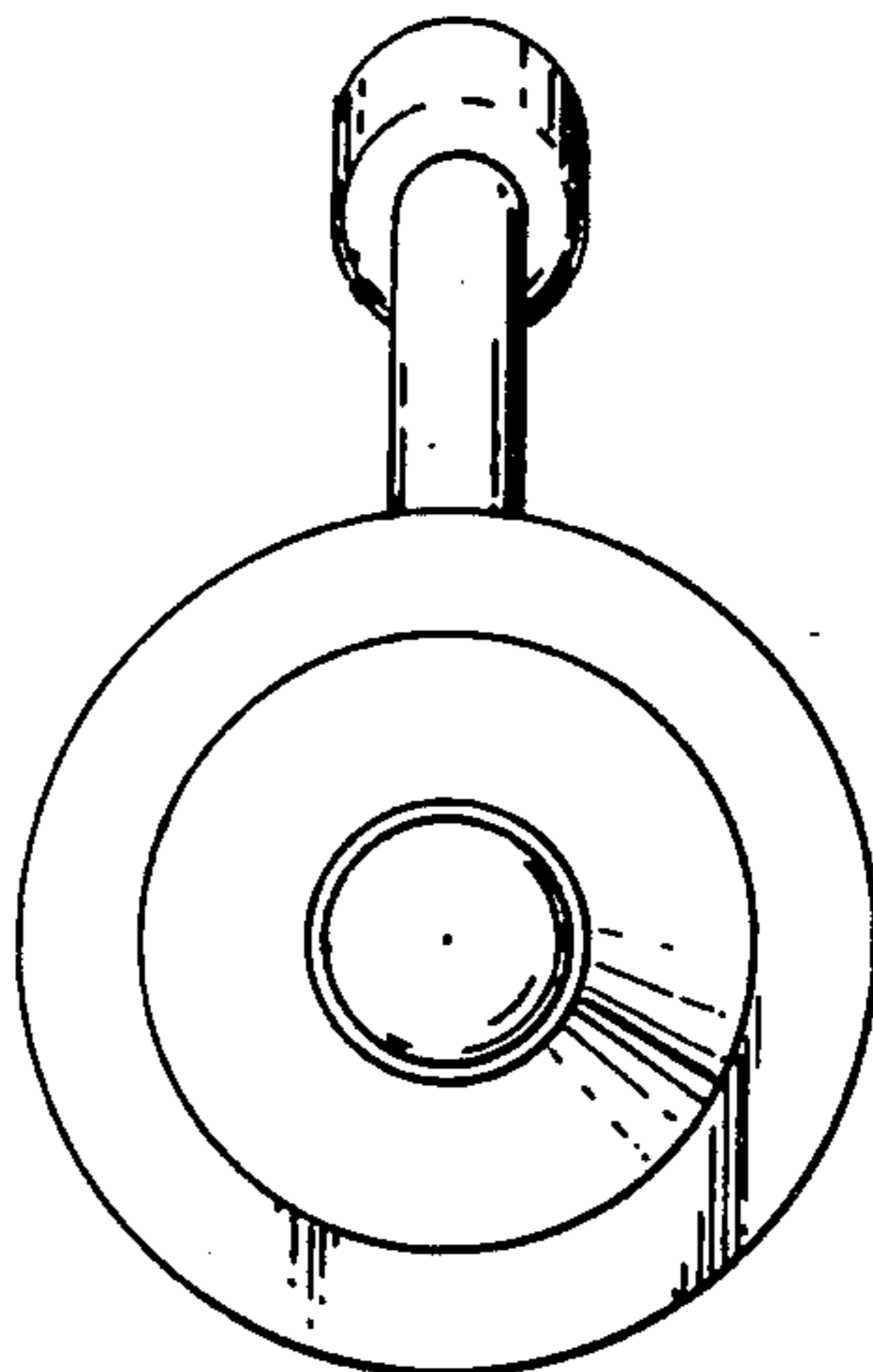


FIG. 4

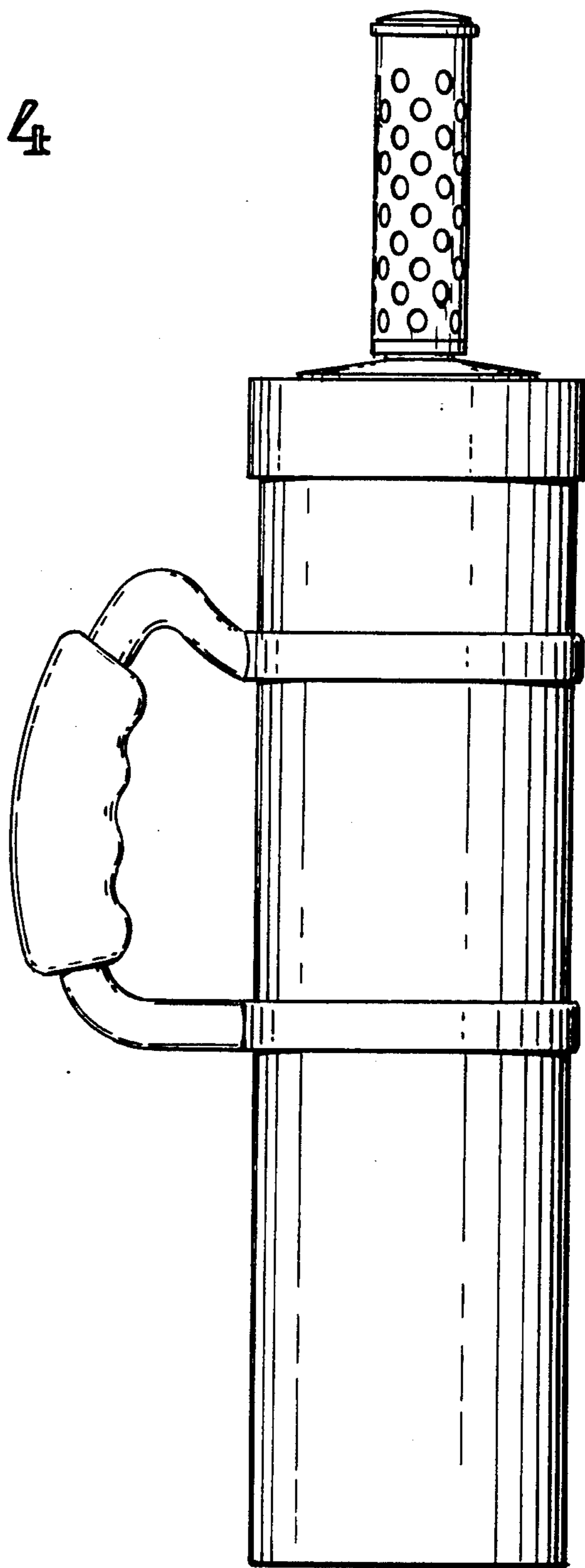


FIG. 5

