

[54] TELEPHONE INSTRUMENT SET

D. 313,235 12/1990 Kido et al. D14/241

[75] Inventors: Shigeaki Kido; Sadao Isozaki, both of Tokyo, Japan

[73] Assignee: Meisei Electric Co., Ltd., Tokyo, Japan

[**] Term: 14 Years

[21] Appl. No.: 458,536

[22] Filed: Dec. 28, 1989

[30] Foreign Application Priority Data

Jul. 13, 1989 [JP]	Japan	1-25999
Jul. 13, 1989 [JP]	Japan	1-26000
Jul. 13, 1989 [JP]	Japan	1-26001
Jul. 13, 1989 [JP]	Japan	1-26002

[52] U.S. Cl. D14/241; D14/151

[58] Field of Search D14/141, 151, 241; 379/440, 436, 433, 418, 419, 420, 428

[56] References Cited

U.S. PATENT DOCUMENTS

D. 290,700	7/1987	Lindahl	D14/151
D. 294,023	2/1988	Sekiguchi et al.	D14/151
D. 294,497	3/1988	Oshima et al.	D14/151
D. 295,514	3/1988	Inaka	D14/151
D. 300,925	5/1989	Nogas	D14/151
D. 301,031	5/1989	Sasaki et al.	D14/151
D. 302,815	8/1989	Goatman	D14/151
D. 304,727	11/1989	Barker et al.	D14/241
D. 306,587	3/1990	Ando	D14/241
D. 310,524	9/1990	Utsuki et al.	D14/241

OTHER PUBLICATIONS

Siemens Topset 204, Executive Phone: publication in Siemens Private Communication Systems; at p. 220, Report 9, No. 4, Jul./Aug. 1986.

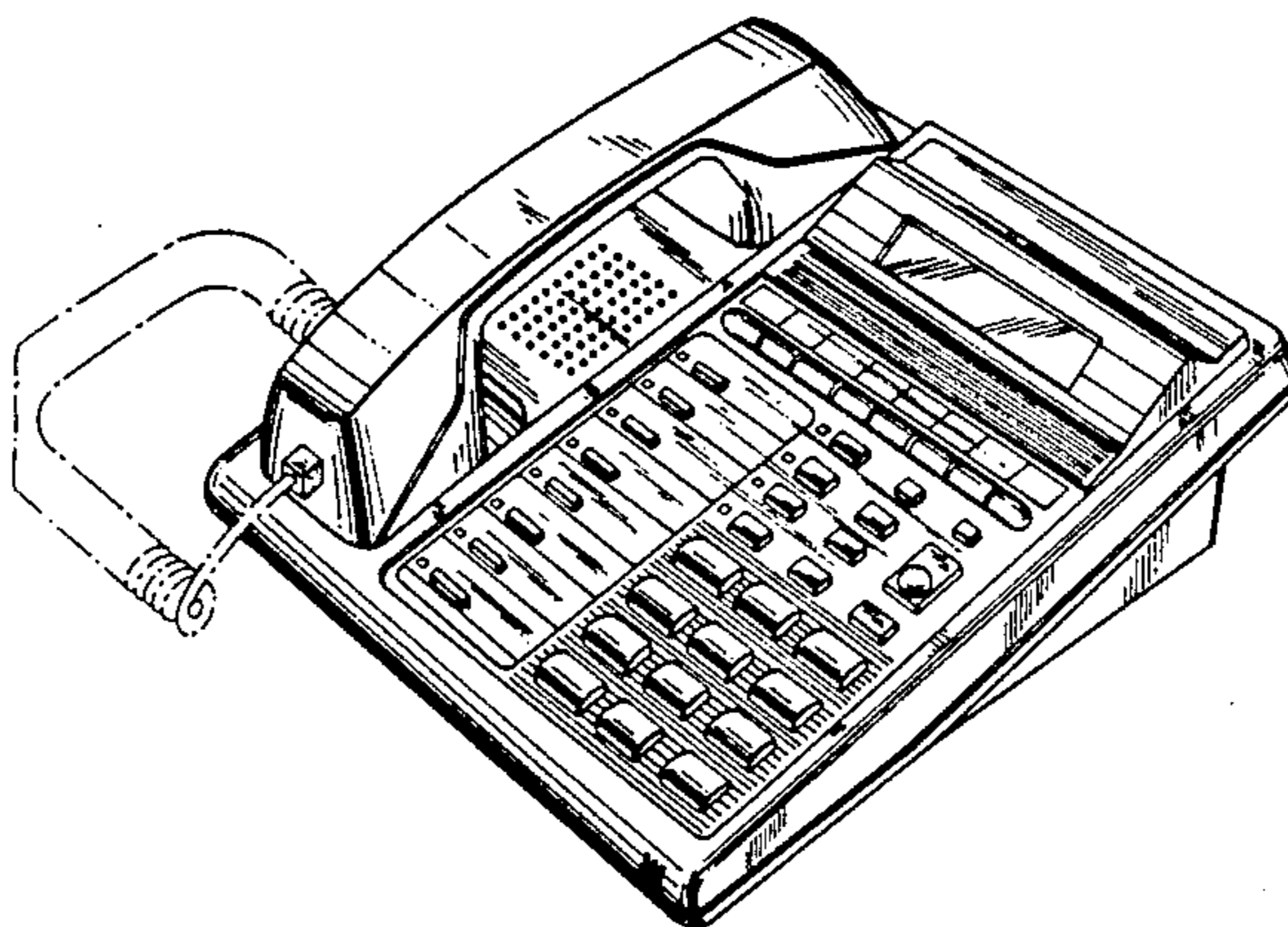
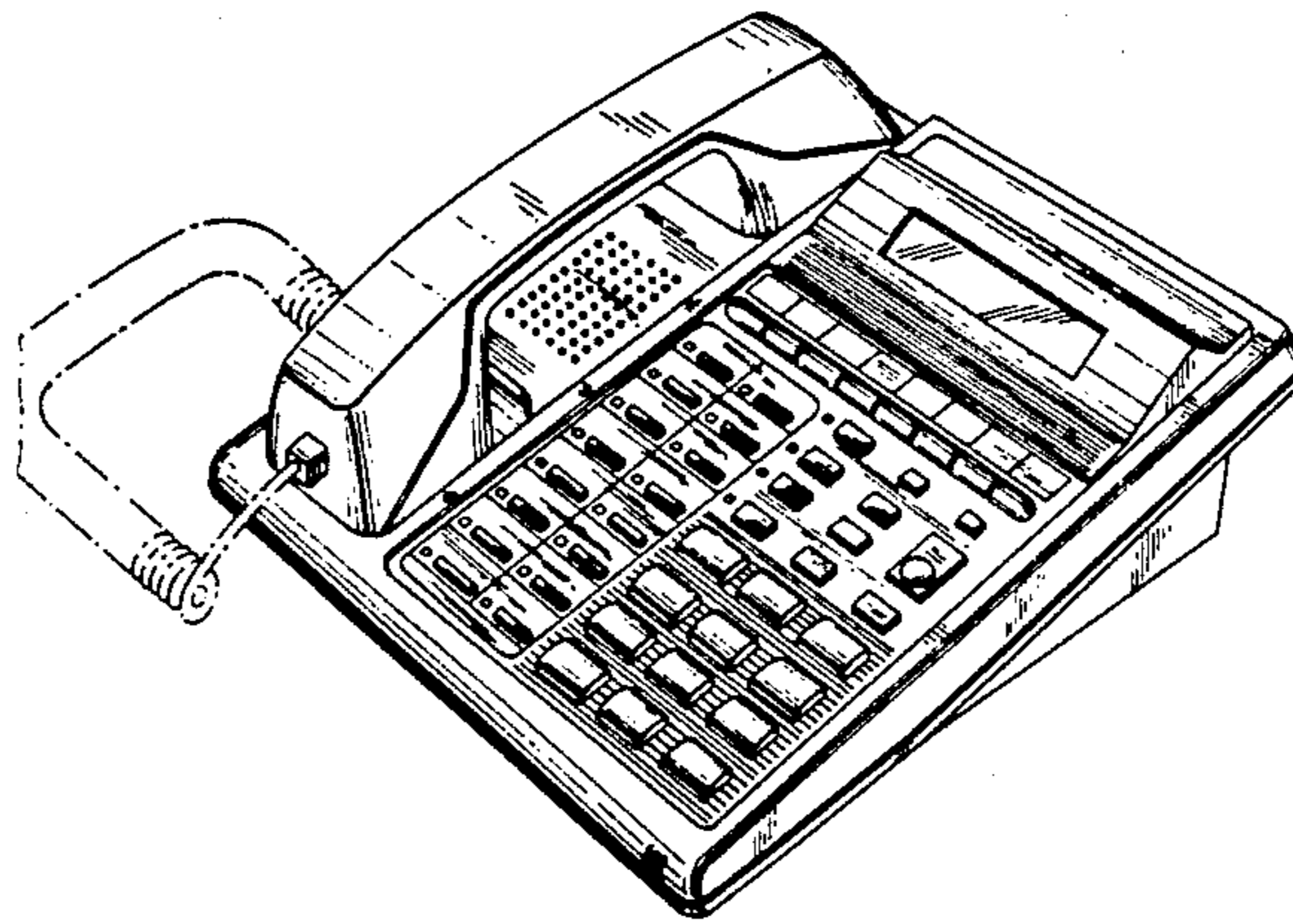
Primary Examiner—Horace B. Fay, Jr.
Attorney, Agent, or Firm—Toren, McGeady & Associates

[57] CLAIM

The ornamental design for a telephone instrument set, as shown and described.

DESCRIPTION

FIG. 1 is a front perspective view of a telephone instrument set showing our new design in cradled status; FIG. 2 is a top plan view thereof; FIG. 3 is a front elevational view thereof; FIGS. 4 and 5 are respectively left and right side elevational views thereof; FIG. 6 is a rear elevational view thereof; FIG. 7 is a bottom plan view thereof; FIG. 8 is a front perspective view of a second embodiment thereof, the only difference between the embodiments being that the keyboard of the second embodiment has a single row of buttons on the panel on the left of the keyboard of the telephone set, and the first embodiment has two button rows in its same panel area; FIG. 9 is a top plan view of the second embodiment; and FIG. 10 is a front elevational view thereof.



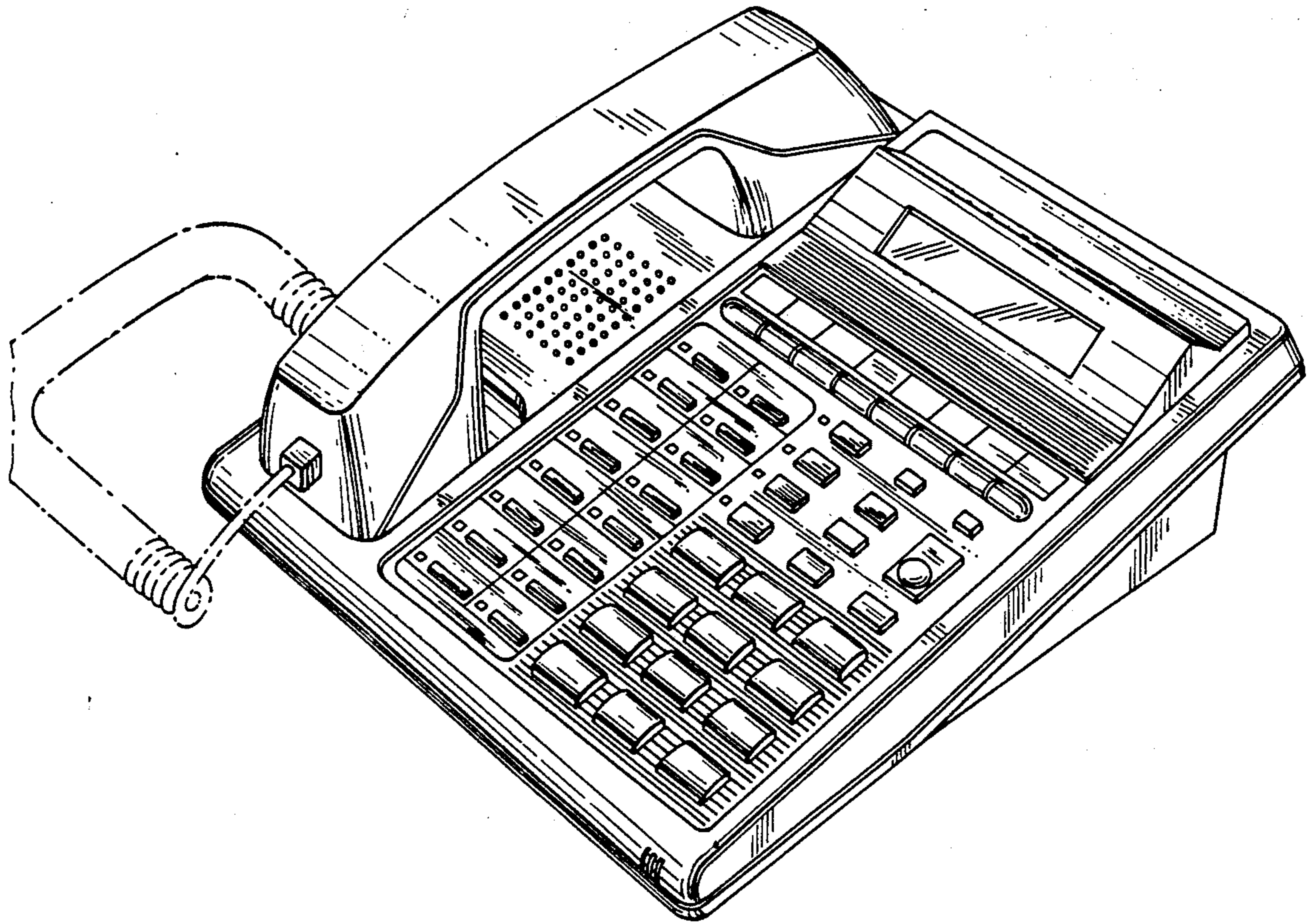
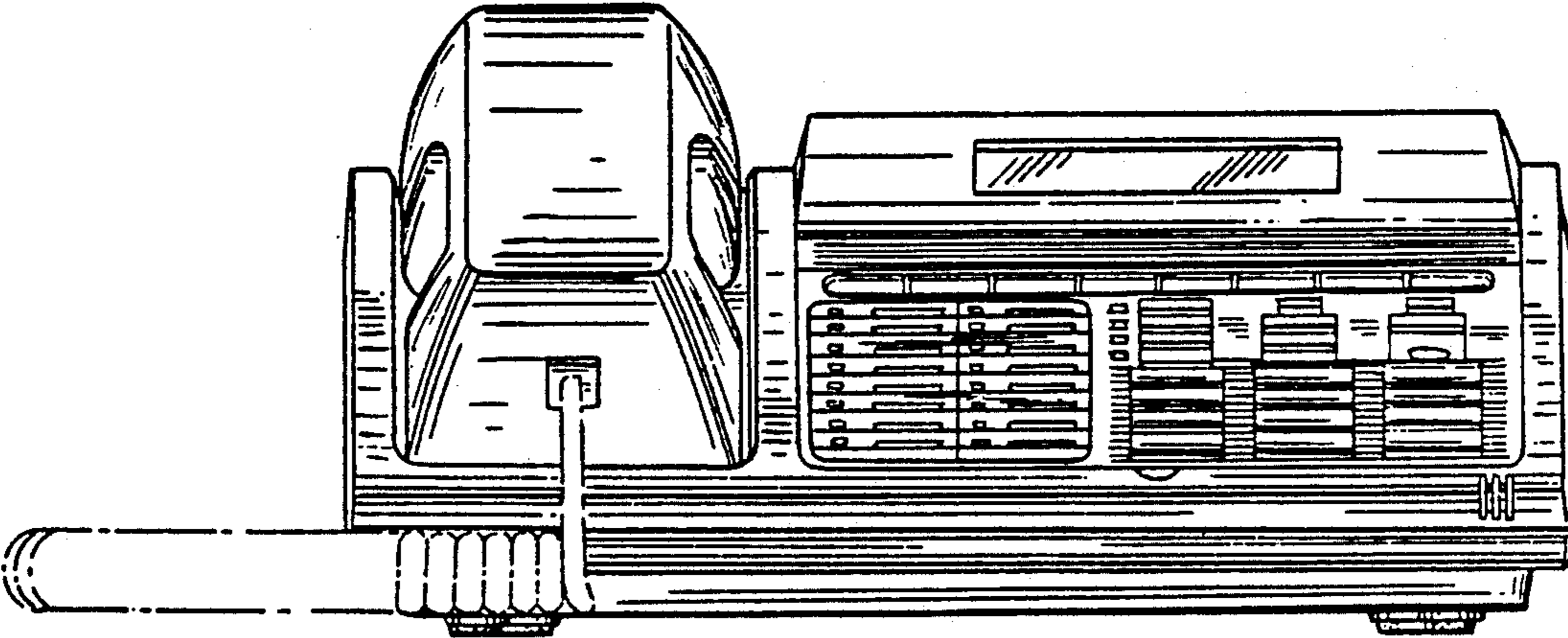
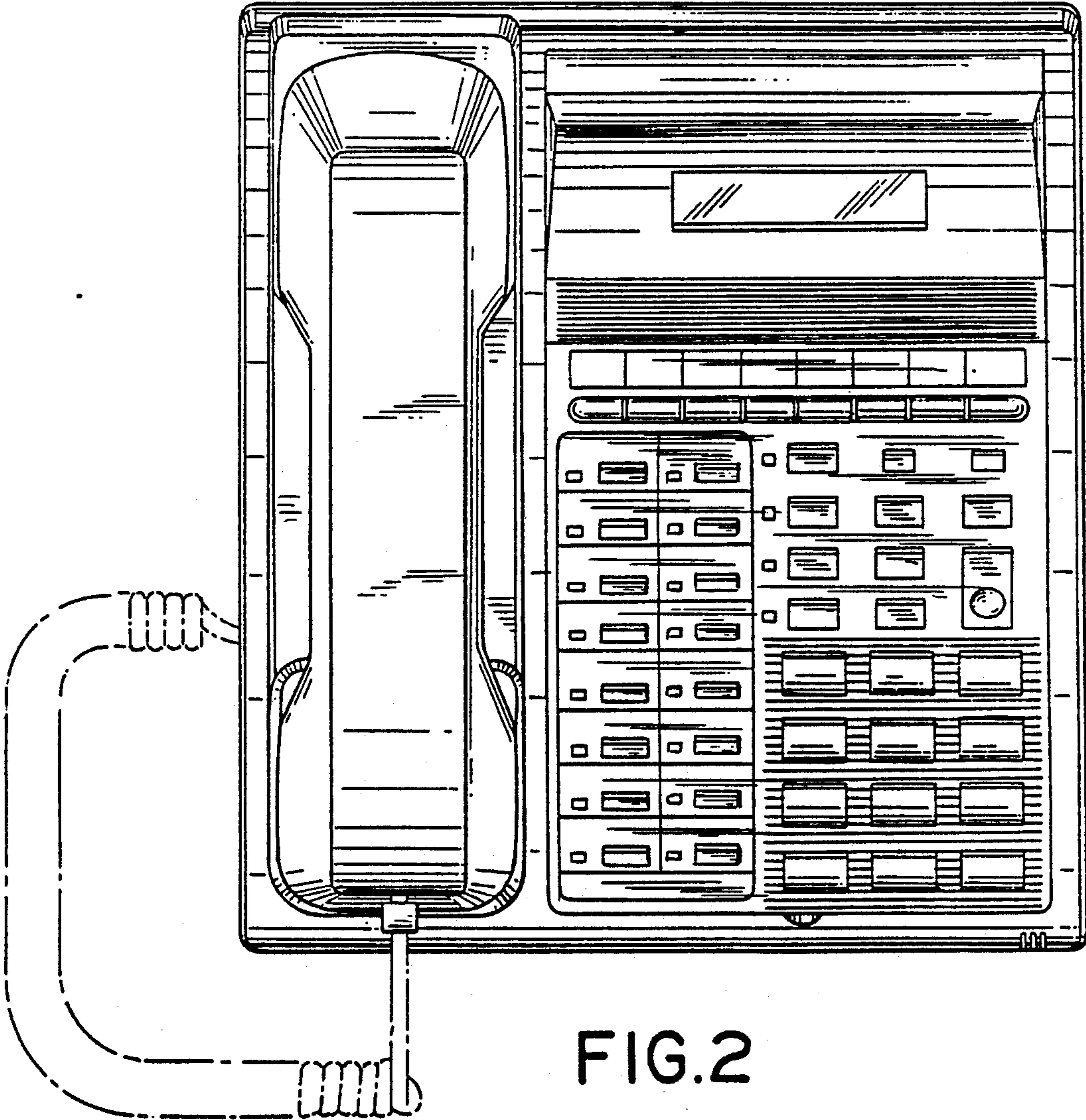


FIG. 1



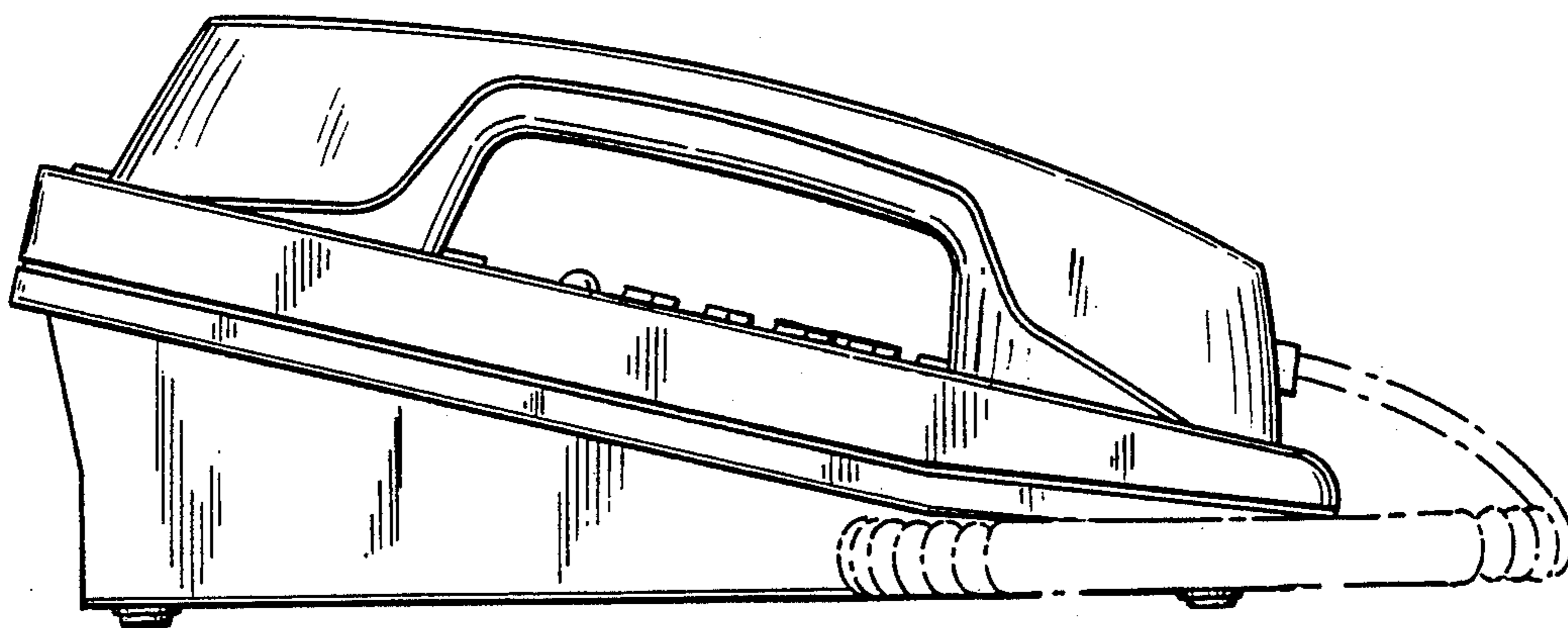


FIG. 4

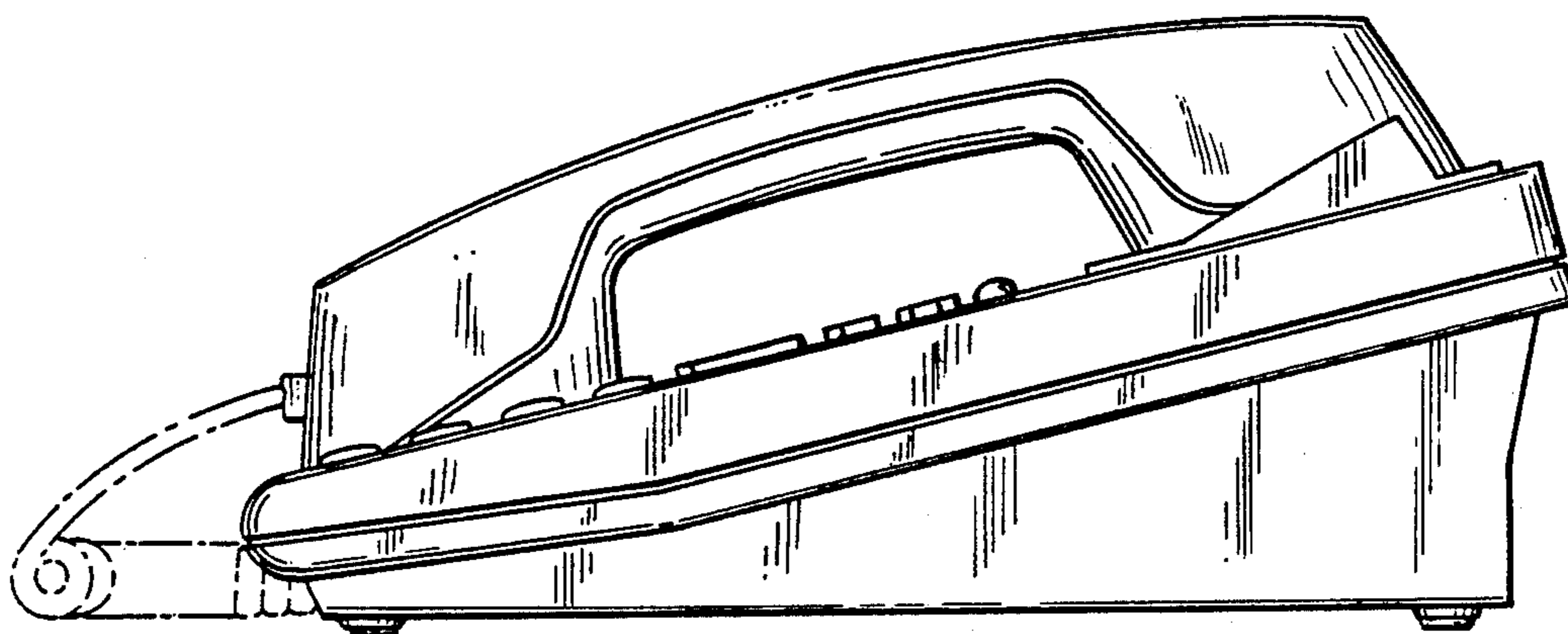


FIG. 5

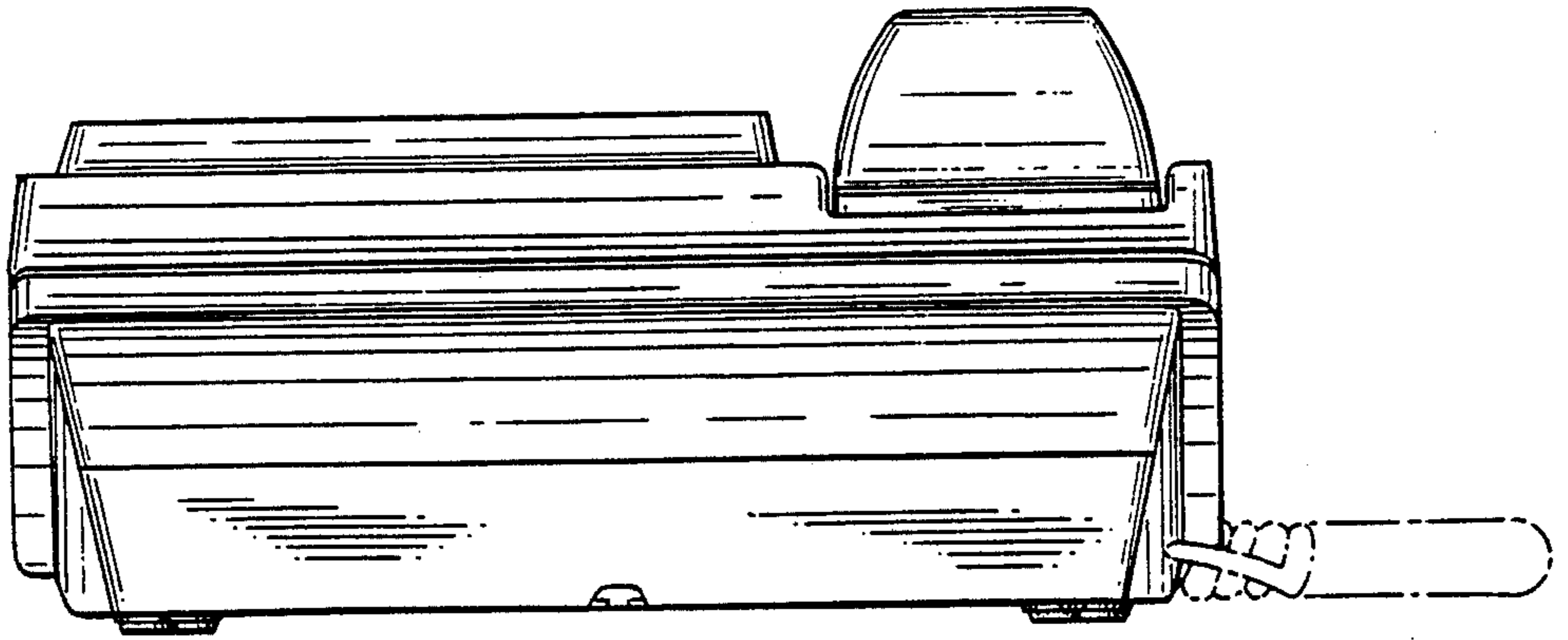


FIG. 6

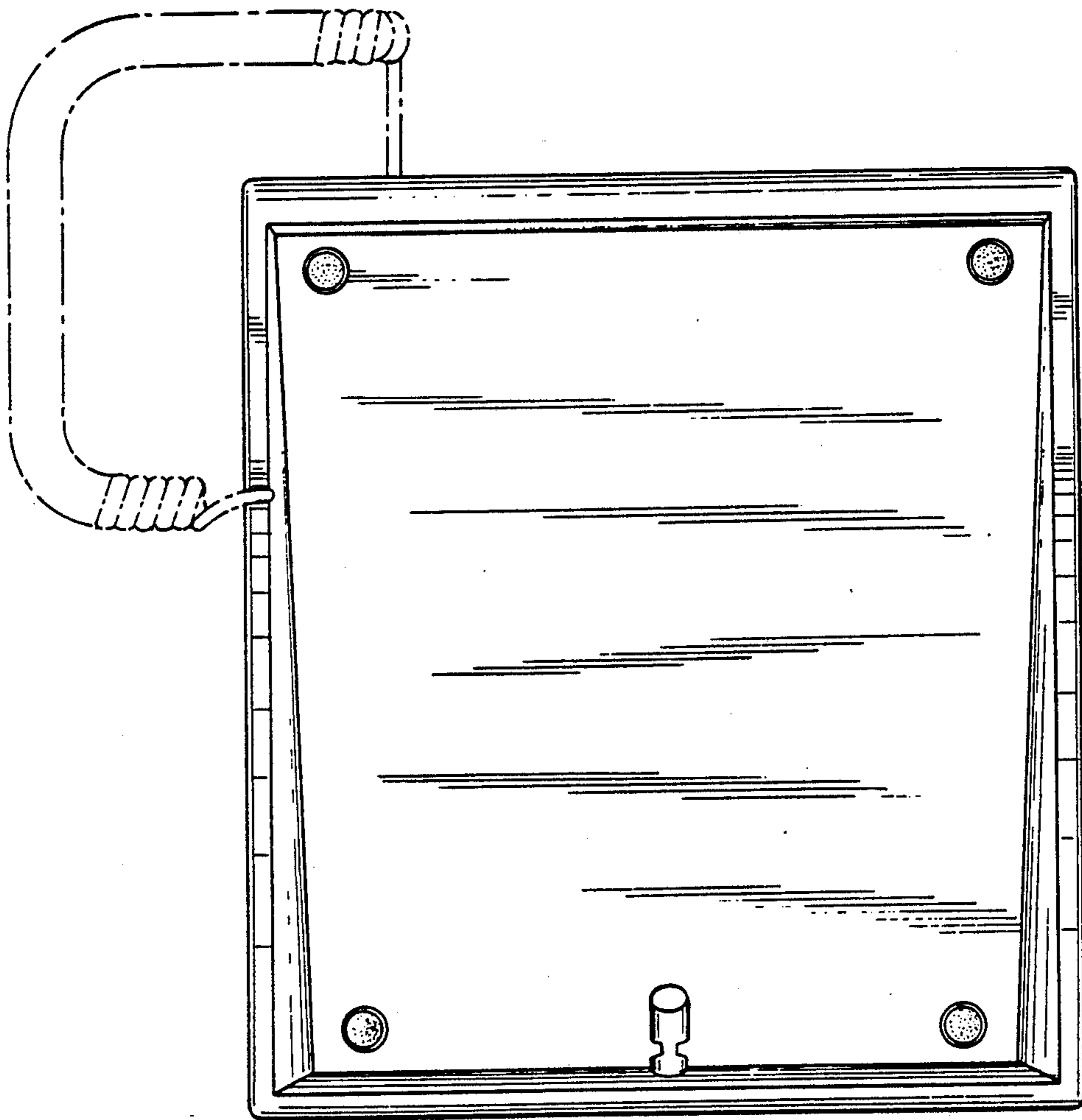


FIG. 7

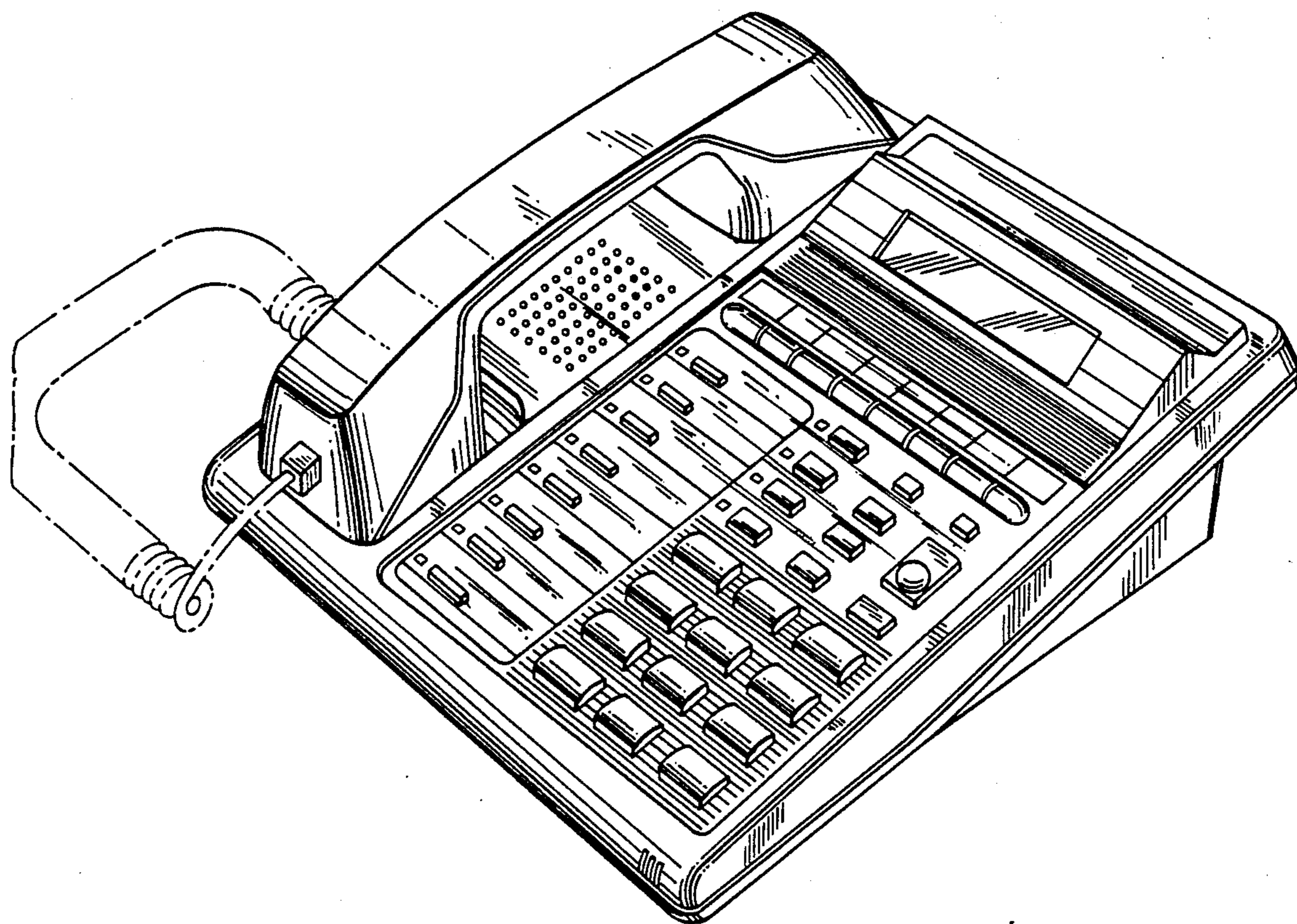


FIG. 8

