

[54] ANTENNA ROTATOR CONTROL

[75] Inventors: Vincent L. Haley; Gregory S. Breiding, both of Columbus, Ohio

[73] Assignee: Crown Equipment Corporation, New Bremen, Ohio

[\*\*] Term: 14 Years

[21] Appl. No.: 350,412

[22] Filed: May 11, 1989

[52] U.S. Cl. .... D14/237

[58] Field of Search ..... D14/230-238, D14/299; 343/702, 705, 708, 711, 713, 715, 720, 741, 744, 749, 752, 757, 766, 797, 829, 840, 846, 872, 873, 878, 882, 887, 888, 892, 900, 901, 903

[56] References Cited

U.S. PATENT DOCUMENTS

- D. 248,466 7/1978 Tompkins ..... D14/237
- D. 306,025 2/1990 Wittkamp ..... D14/237

OTHER PUBLICATIONS

Lafayette Radio Electronics 1974 catalog, p. 297, bottom right, Item 3—Rotor Control.  
Radio Shack 1989 catalog No. 432, p. 107, bottom left—Rotor Control.

Primary Examiner—Theodore M. Shooman  
Attorney, Agent, or Firm—Biebel & French

[57] CLAIM

The ornamental design for an antenna rotator control, as shown and described.

DESCRIPTION

FIG. 1 is a top, front and right side perspective view of an antenna rotator control showing our new design; FIG. 2 is a top plan view thereof; FIG. 3 is a front elevational view thereof; FIG. 4 is a rear elevational view thereof; and FIG. 5 is a right side elevational view thereof, the left side being a mirror image. The bottom being plane and unornamented.

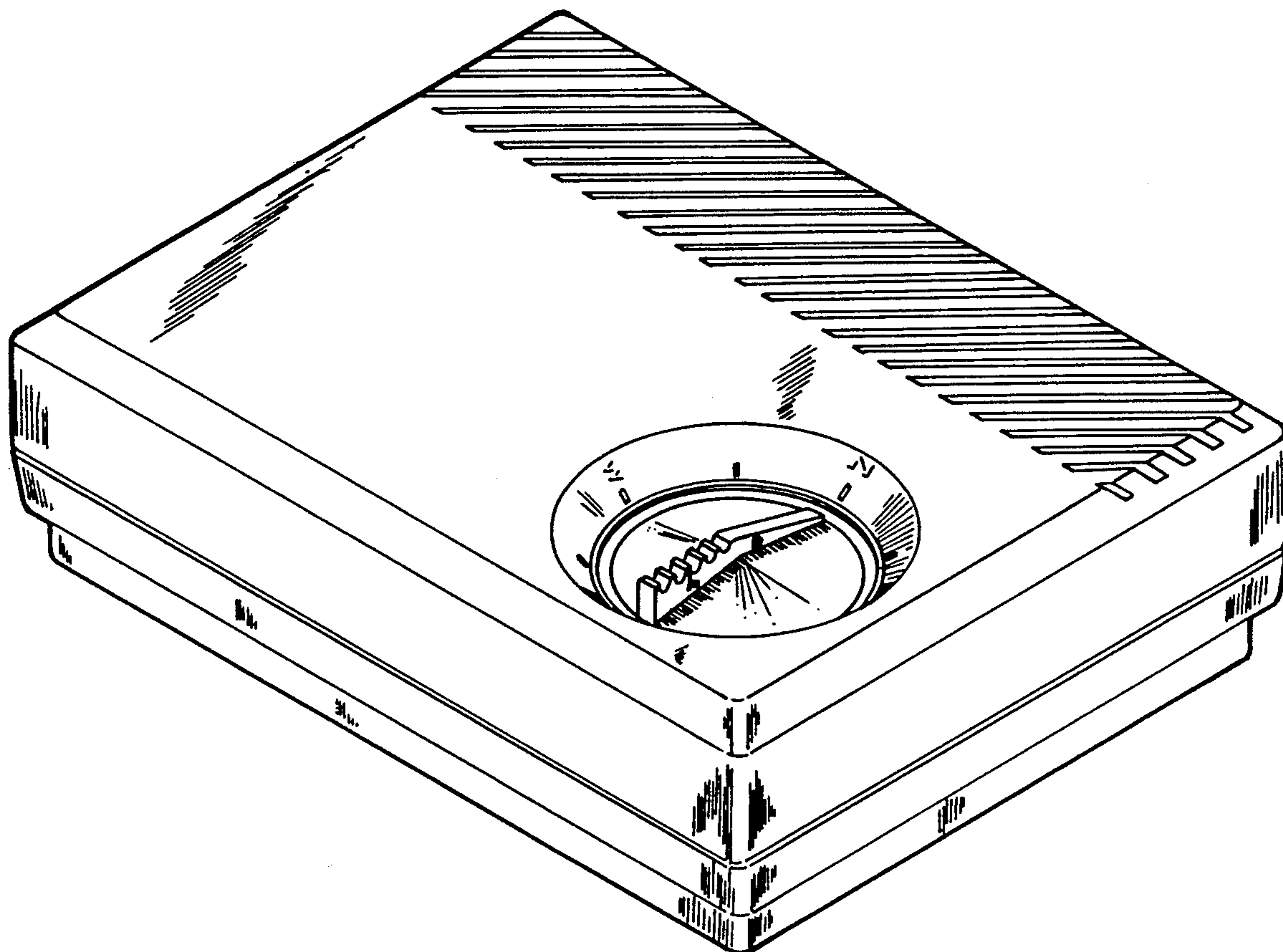


FIG-1

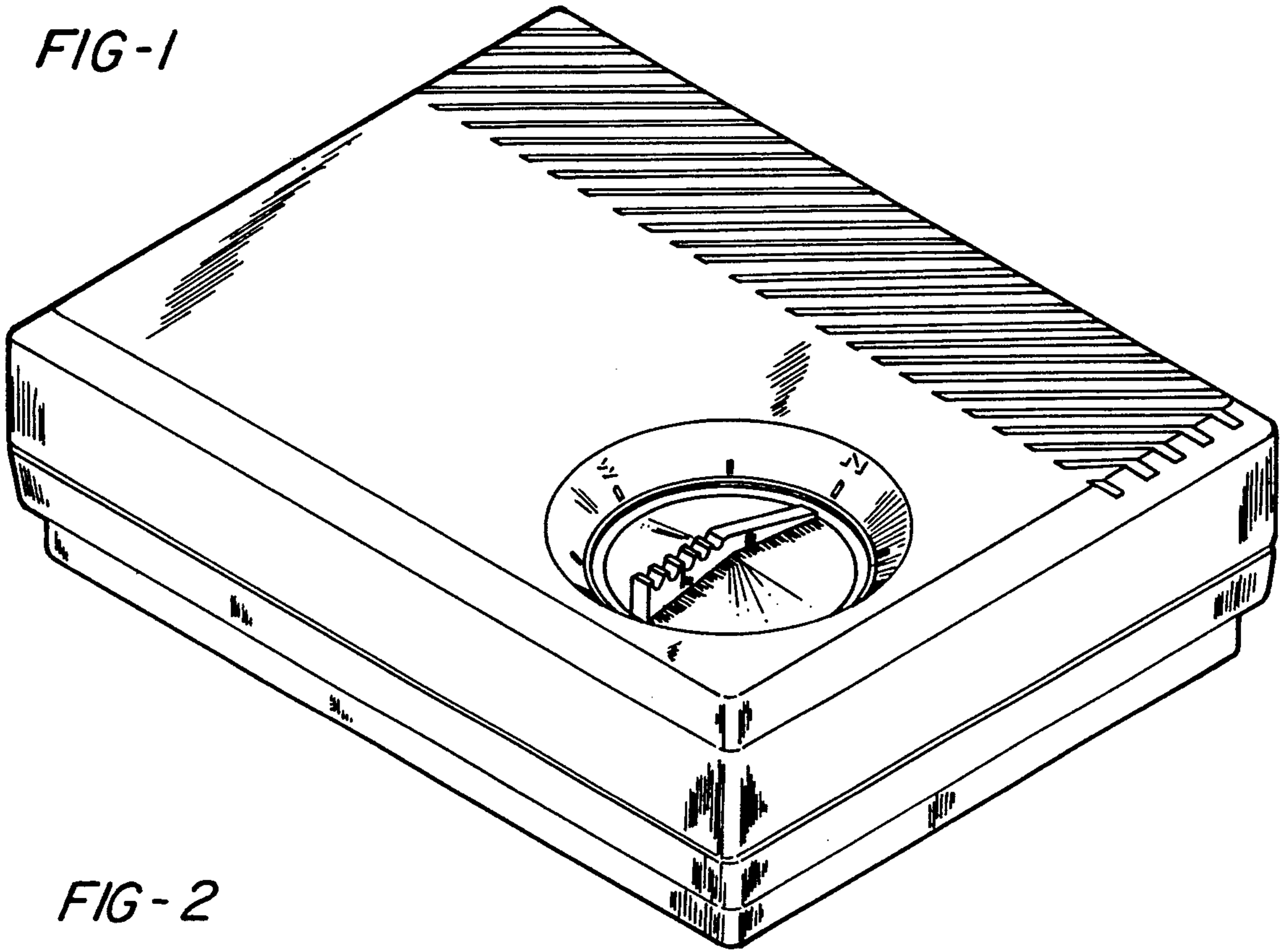


FIG-2

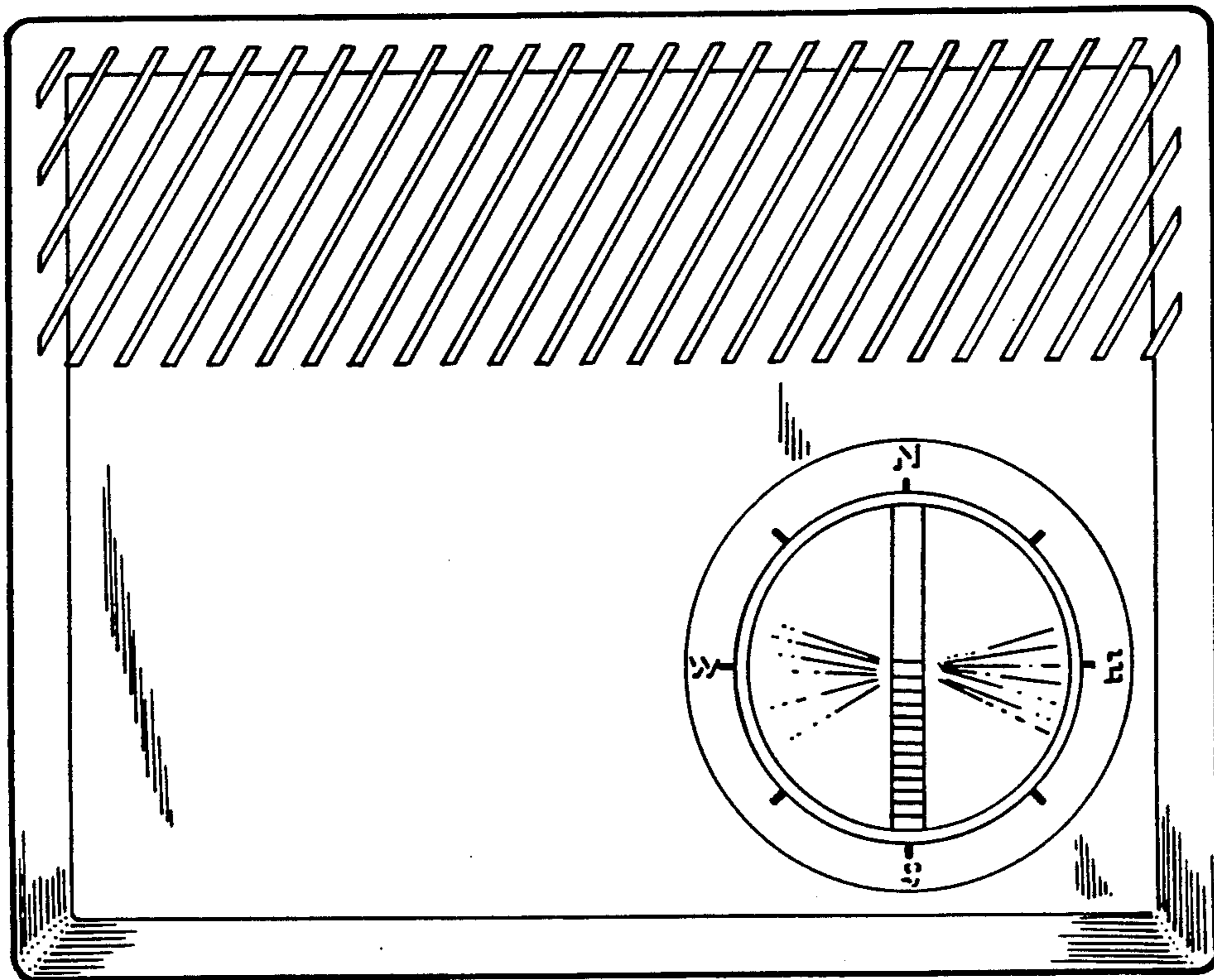


FIG-3

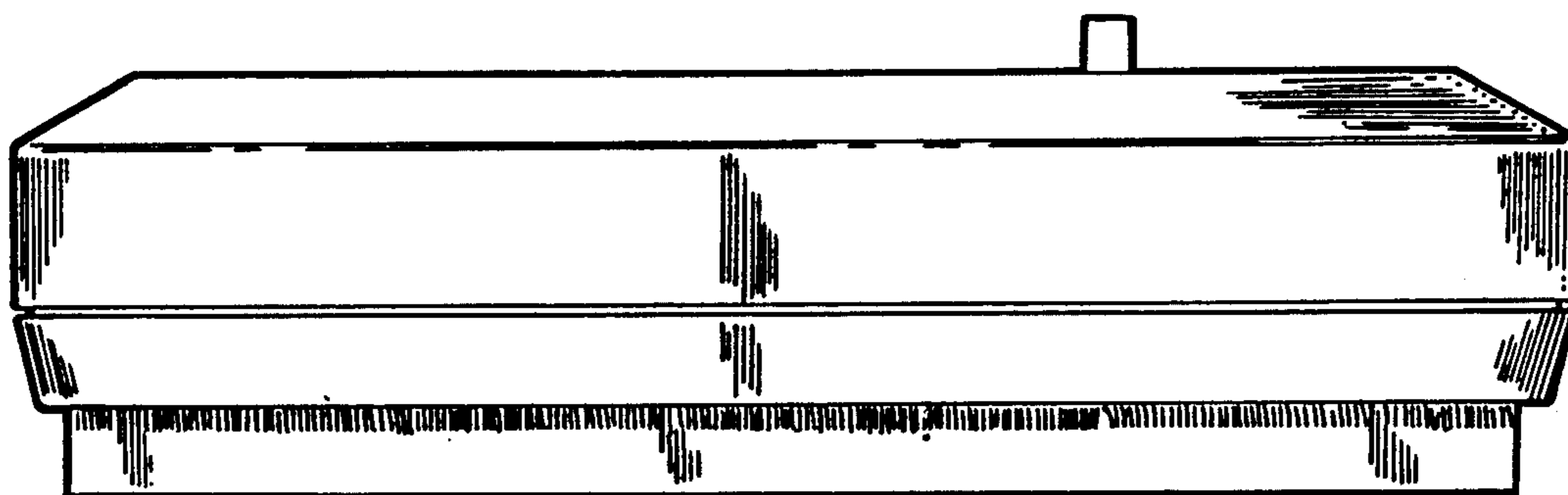


FIG-4

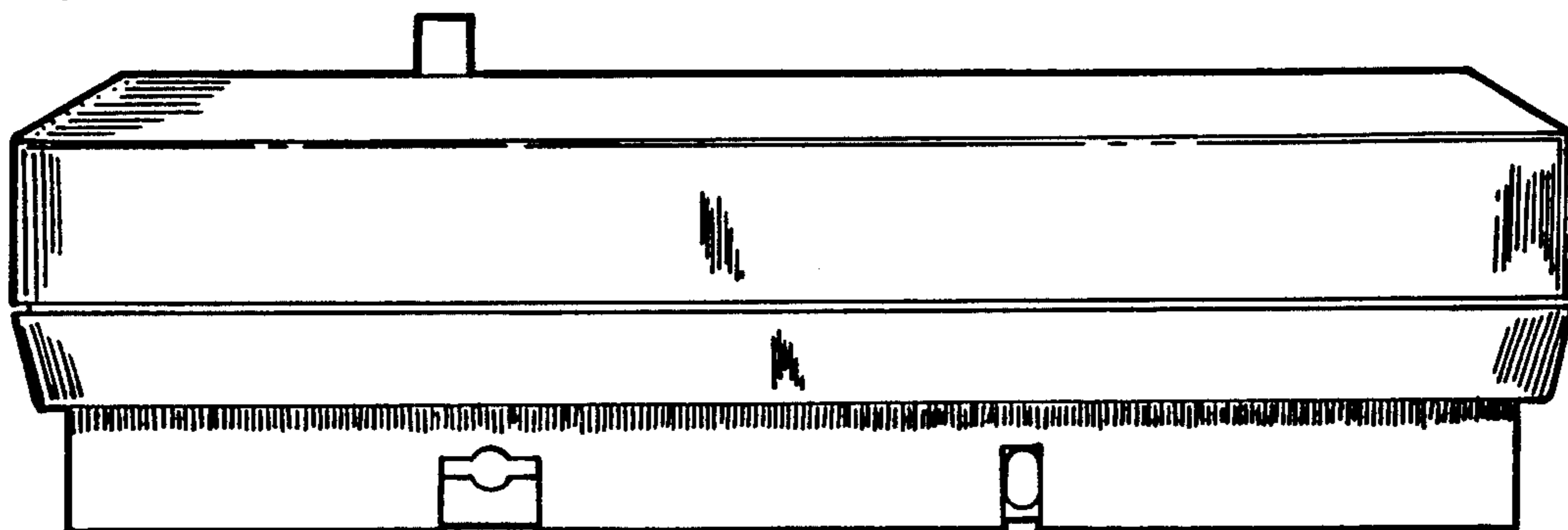


FIG-5

