

[54] WRIST RECORDER

[75] Inventor: Barry Wingate, San Jose, Calif.

[73] Assignee: Chatter Box, Inc., Santa Clara, Calif.

[**] Term: 14 Years

[21] Appl. No.: 532,973

[22] Filed: May 31, 1990

[52] U.S. Cl. D14/167; D14/165; D14/192

[58] Field of Search D14/160, 161, 163-165, D14/167, 188-189, 191-192, 197, 299; D21/111-113; 446/26; D10/30-31, 33; 369/31

[56] References Cited

U.S. PATENT DOCUMENTS

- D. 102,811 1/1937 Anderson .
- D. 175,834 10/1955 Heller et al. .
- D. 209,673 12/1967 Saunders et al. .
- D. 210,462 3/1968 Roberts et al. .
- D. 246,104 10/1977 Vong .
- D. 258,433 3/1981 Bulmash et al. D14/192
- D. 262,455 12/1981 Bulmash et al. D14/192
- D. 268,675 4/1983 Hass .
- D. 279,671 7/1985 Stanton .
- D. 286,269 10/1986 Matsuo et al. .
- D. 299,138 12/1988 Hampf D14/191

- D. 306,589 3/1990 Murayama D14/165
- D. 310,523 9/1990 Hino et al. D14/192
- 3,032,651 5/1962 Gisiger-Stahli et al. .
- 4,419,770 12/1983 Yagi et al. .

FOREIGN PATENT DOCUMENTS

- 2560059 8/1985 France 446/26
- 1053527 9/1988 United Kingdom .

OTHER PUBLICATIONS

Hong Kong Enterprise; 7/88; p. 273; bottom right.
Hong Kong Enterprise; 11/85; p. 39; bottom left #8509.

Primary Examiner—Theodore M. Shooman
Attorney, Agent, or Firm—Sterne, Kessler, Goldstein & Fox

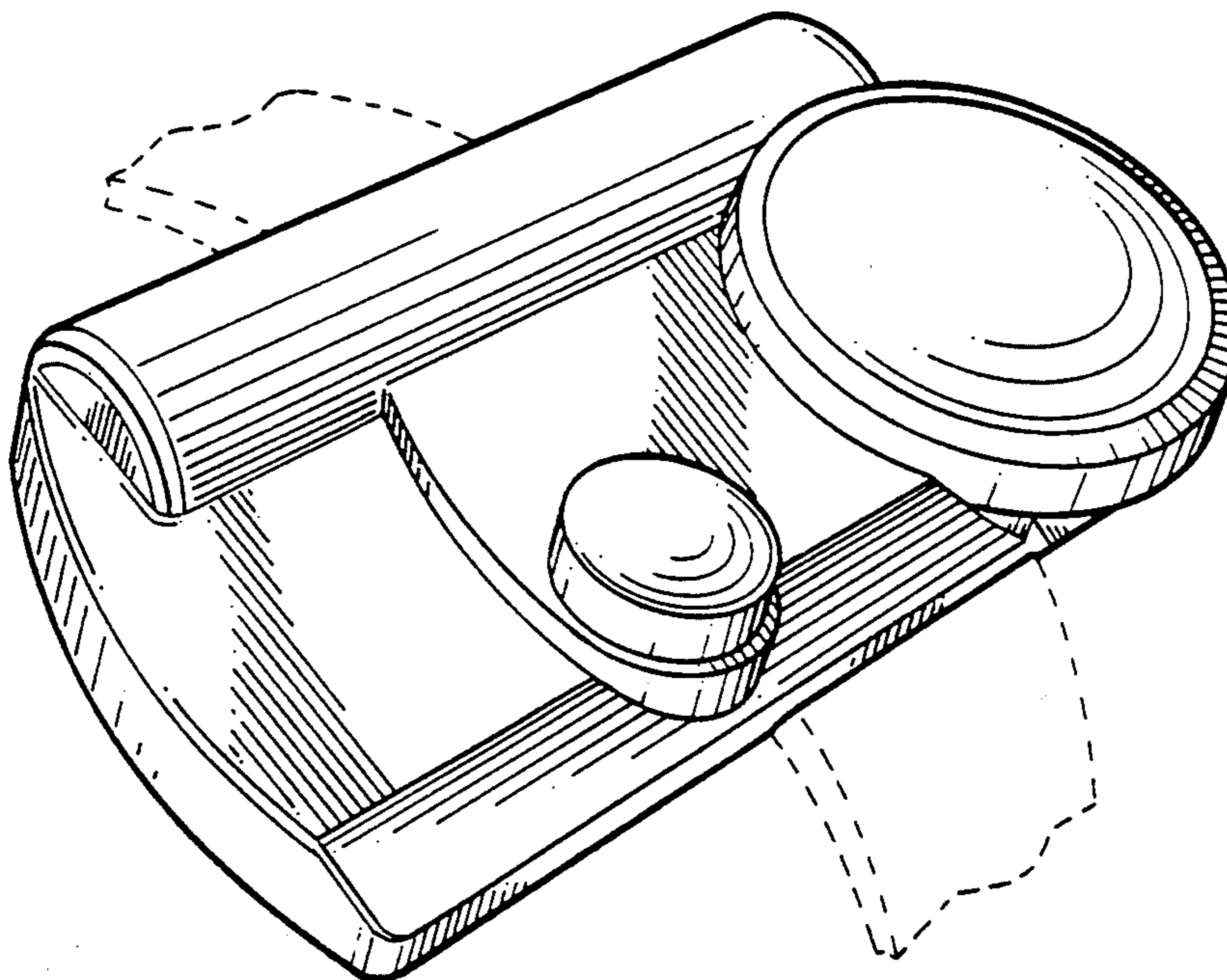
[57] CLAIM

The ornamental design for a wrist recorder, as shown and described.

DESCRIPTION

FIG. 1 is a top, front and left side perspective view of a wrist recorder showing my new design; and FIG. 2 is a bottom, rear and right side perspective view thereof.

The broken line showing of the strap is for environmental purposes only and forms no part of the claimed design.



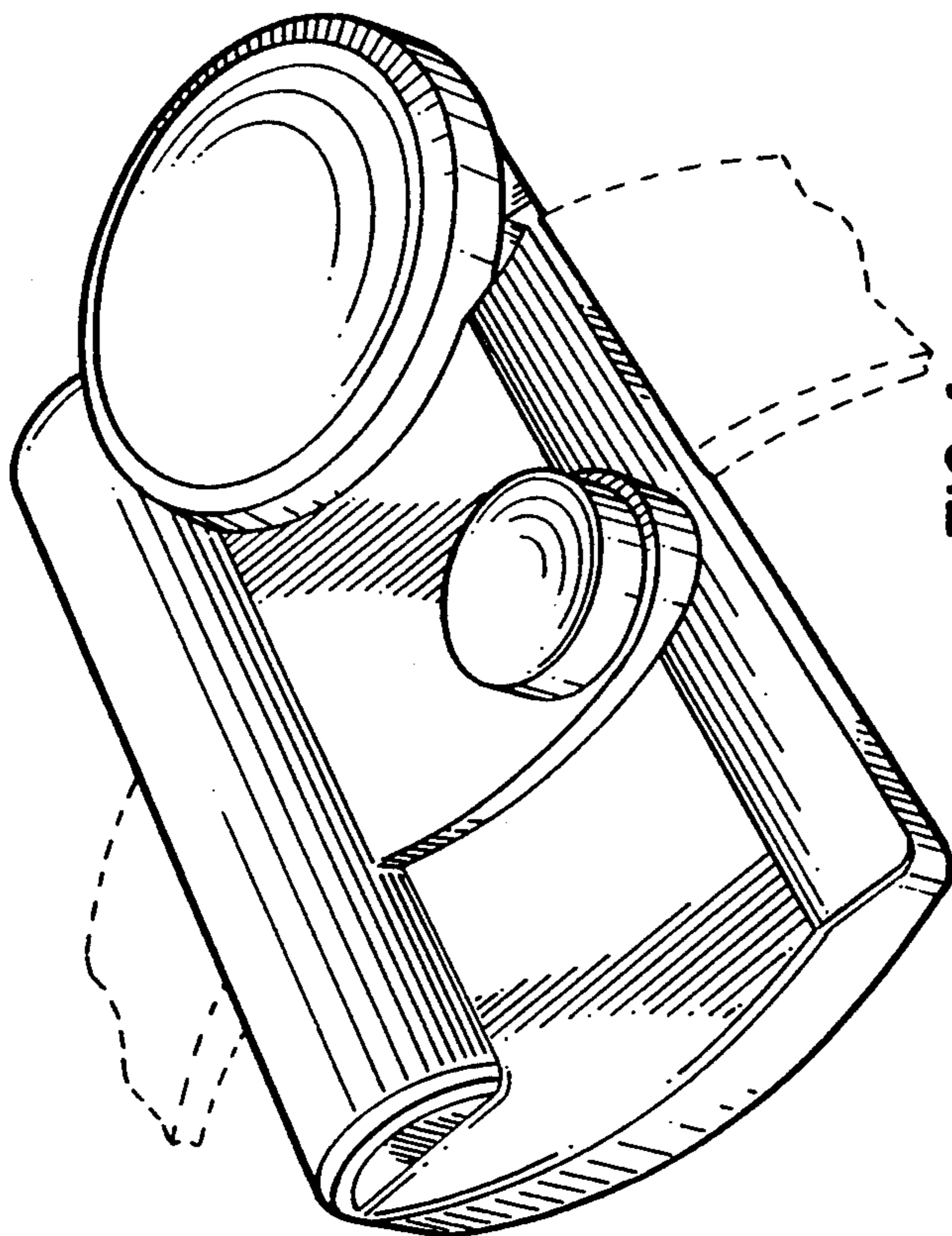


FIG. 1

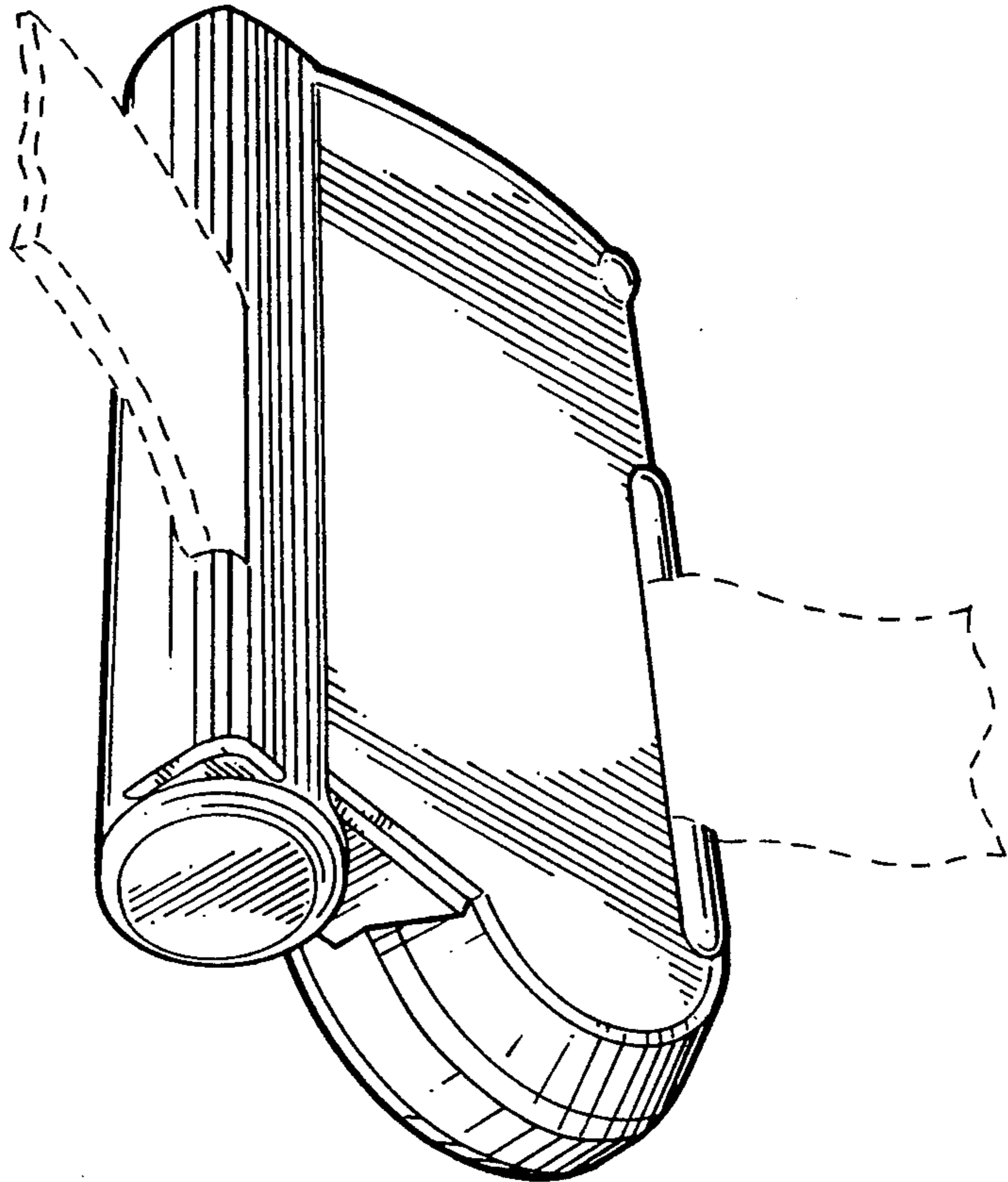


FIG. 2