

[54] **ONE POLE CIRCUIT BREAKER**

[56] **References Cited**

[75] **Inventors:** Jeffrey O. Sharp, Lexington, Ky.;
Edward P. Dessert, Lincoln, Nebr.;
Michael R. Harris, Winchester, Ky.

U.S. PATENT DOCUMENTS

D. 163,736	6/1951	Bangert, Jr.	D13/160
D. 204,386	4/1966	Davis et al.	D13/160
D. 209,592	12/1967	Wilckens	D13/169 X
D. 281,156	10/1985	Harper	D13/160
3,098,902	7/1963	Meyer	200/308 X
4,468,547	8/1984	Belttary	200/294

[73] **Assignee:** Square D Company, Palatine, Ill.

Primary Examiner—Susan J. Lucas
Assistant Examiner—J. Sincavage
Attorney, Agent, or Firm—Jose W. Jimenez

[*] **Notice:** The portion of the term of this patent subsequent to Oct. 15, 2005 has been disclaimed.

[57] **CLAIM**

[**] **Term:** 14 Years

The ornamental design for a one pole circuit breaker, as shown and described.

[21] **Appl. No.:** 384,935

DESCRIPTION

[22] **Filed:** Jul. 19, 1989

FIG. 1 is a perspective view of the one pole circuit breaker showing the new design;
FIG. 2 is a top plan view thereof;
FIG. 3 is a front end elevational view thereof;
FIG. 4 is a bottom plan view thereof;
FIG. 5 is a rear end elevational view the end thereof;
FIG. 6 is a right side elevational view thereof; and
FIG. 7 is a left side elevational view thereof;

[52] **U.S. Cl.** D13/160

[58] **Field of Search** D13/158, 160, 169;
335/8, 9, 10, 17, 44, 132, 202; 200/293, 294,
303, 308, 309

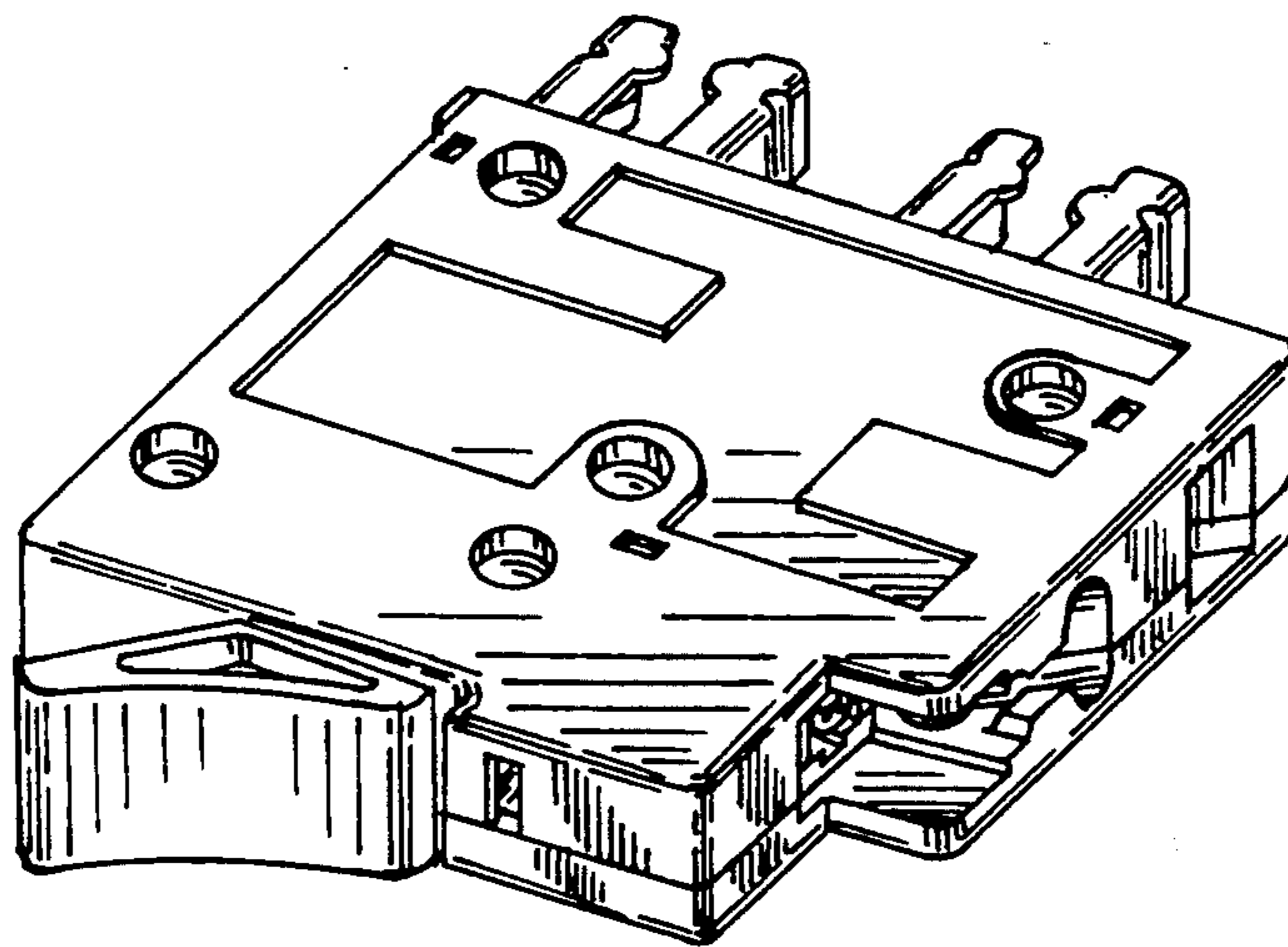


FIG. 1.

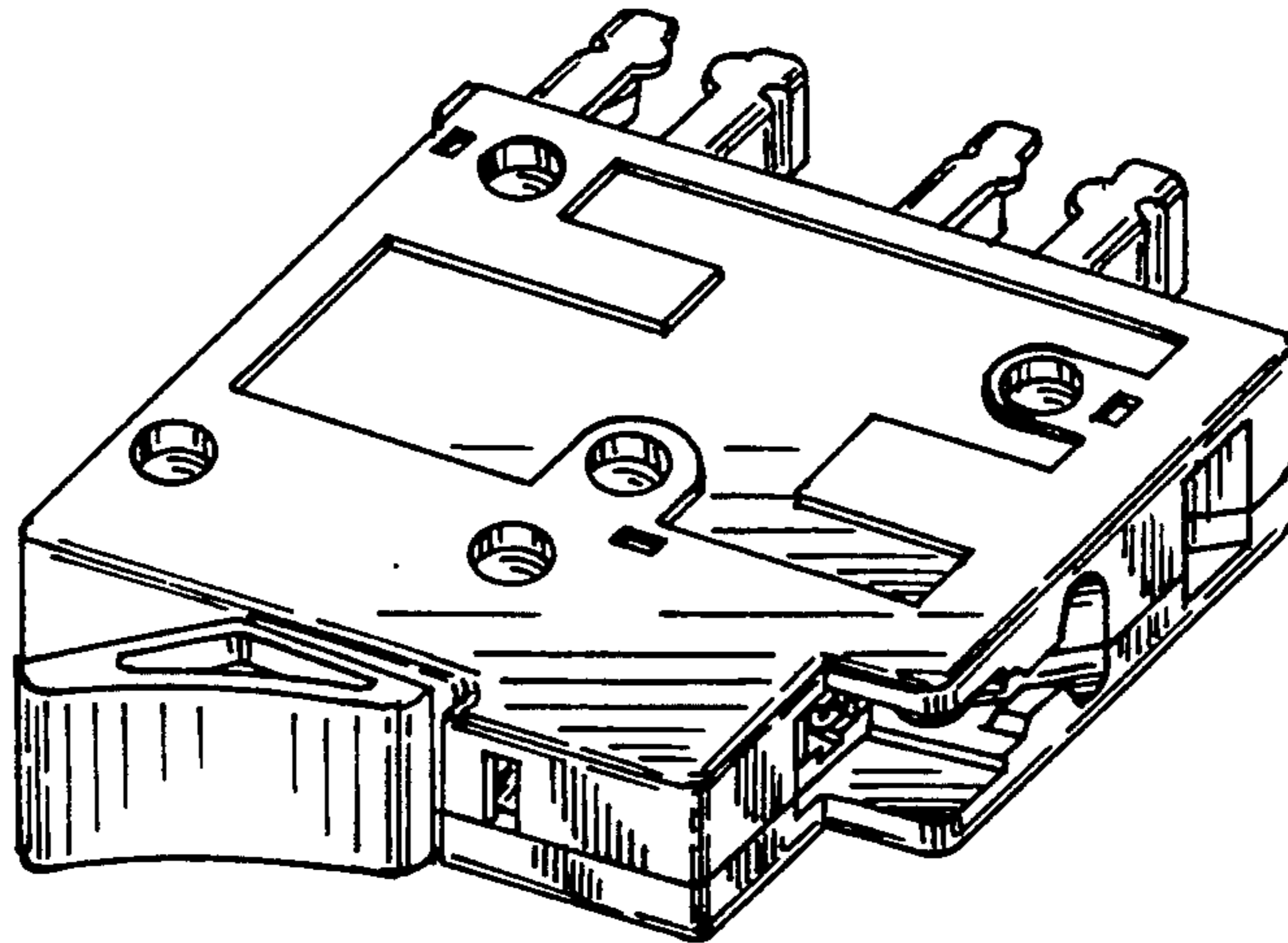


FIG. 2.



FIG. 3.

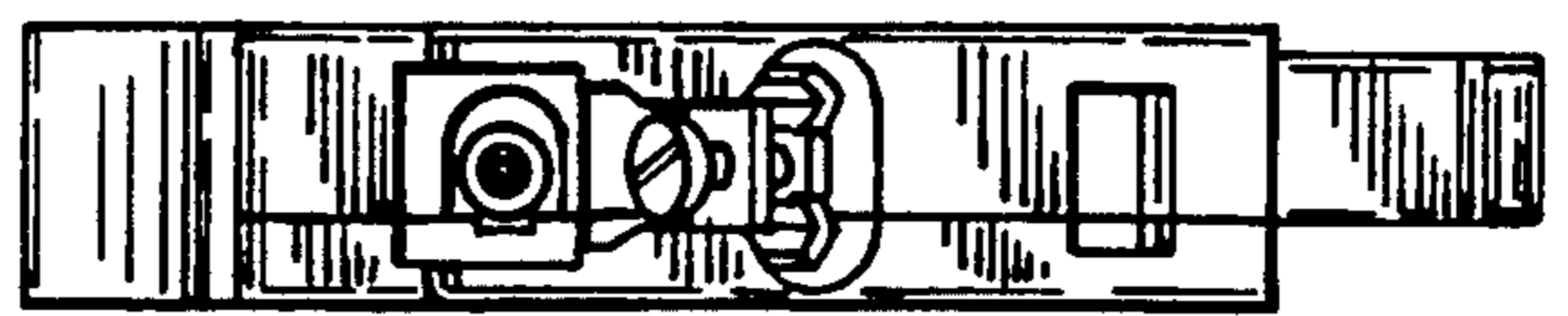


FIG. 4.

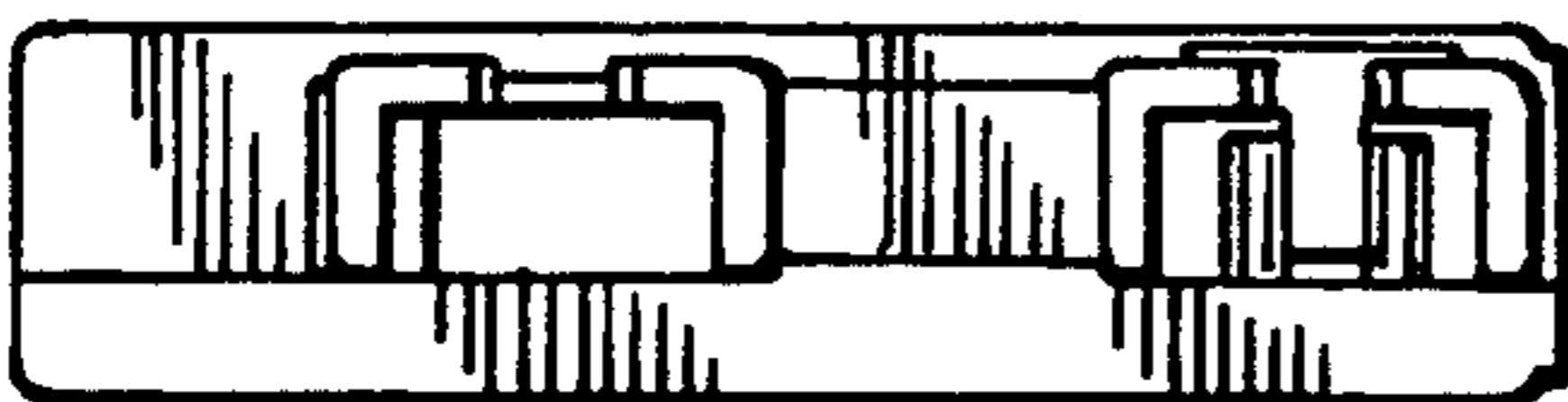


FIG. 5.

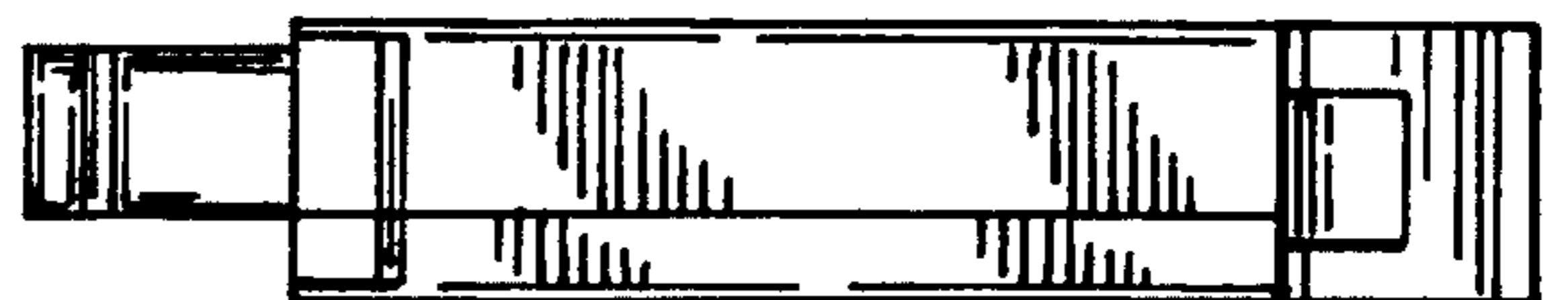


FIG. 6.

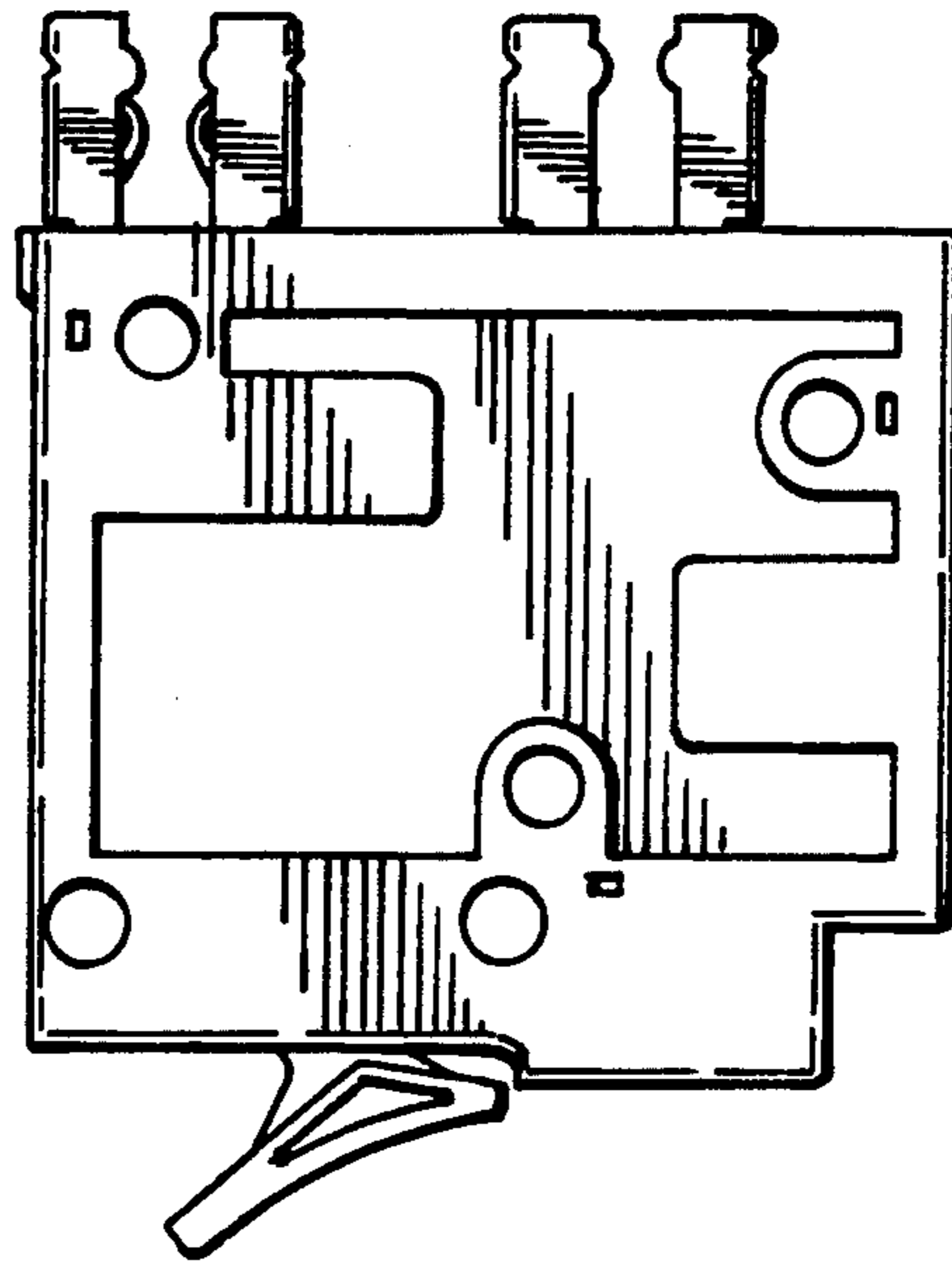


FIG. 7.

