

[54] LATCH CONNECTOR FOR A VEHICLE ROOF MOUNTED BIKE CARRIER

[75] Inventor: Uno Johansson, Dalsjöfors, Sweden

[73] Assignee: JS Products AB, Dalsjöfors, Sweden

[**] Term: 14 Years

[21] Appl. No.: 162,582

[22] Filed: Mar. 1, 1988

[30] Foreign Application Priority Data

Sep. 2, 1987 [SE] Sweden 87-1936
[52] U.S. Cl. D12/157
[58] Field of Search D12/157; 224/329, 330, 224/331, 323, 315

[56] References Cited

FOREIGN PATENT DOCUMENTS

2431396 2/1980 France 224/323

Primary Examiner—James M. Gandy

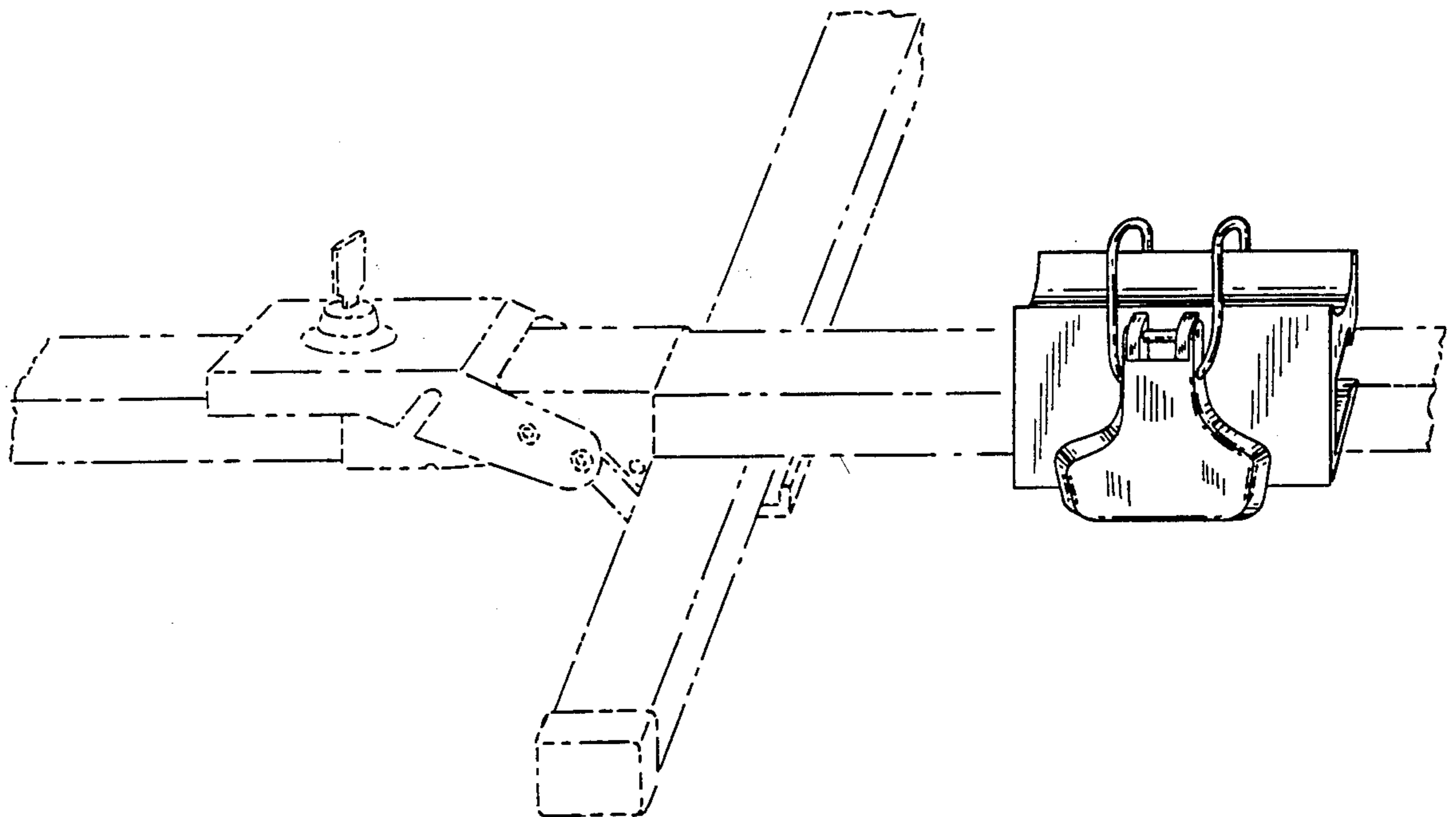
Assistant Examiner—Melody Brown
Attorney, Agent, or Firm—Dvorak and Traub

[57] CLAIM

The ornamental design for a latch connector for a vehicle roof mounted bike carrier, as shown and described.

DESCRIPTION

FIG. 1 is a top, front and side perspective view of a latch connector for a vehicle roof mounted bike carrier showing my new design, in unlocked condition; FIG. 2 is a bottom, rear and opposite side perspective view thereof; FIG. 3 is a top, front and side perspective view thereof in locked condition; FIG. 4 is a bottom, rear and opposite side perspective view of FIG. 3; FIG. 5 is a perspective view thereof; and FIG. 6 is a perspective view thereof, in condition of use on a reduced scale. The broken line showing of a portion of a vehicle luggage rack in FIGS. 5 and 6 is for illustrative purposes only and forms no part of the claimed design.



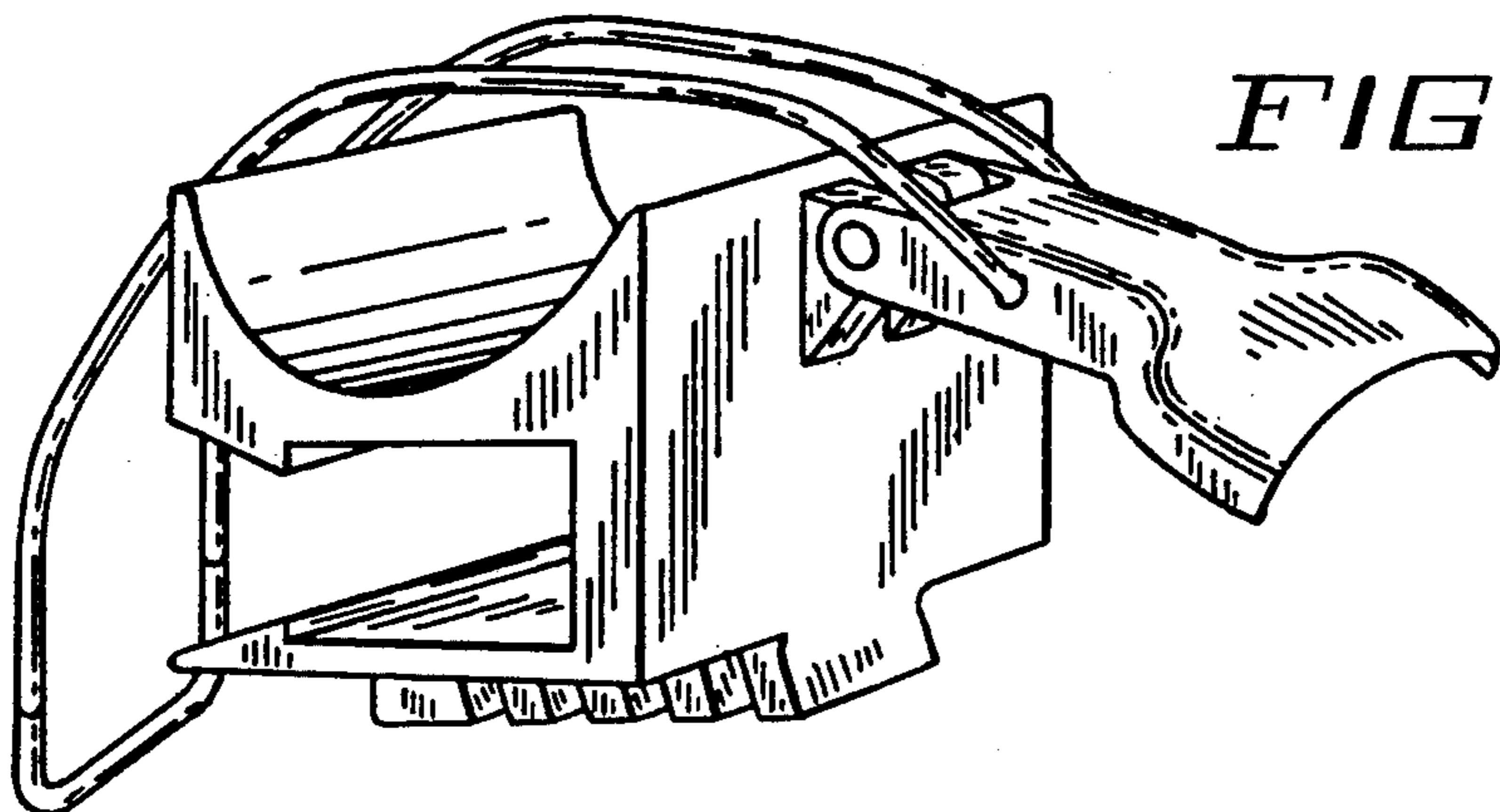


FIG. 1

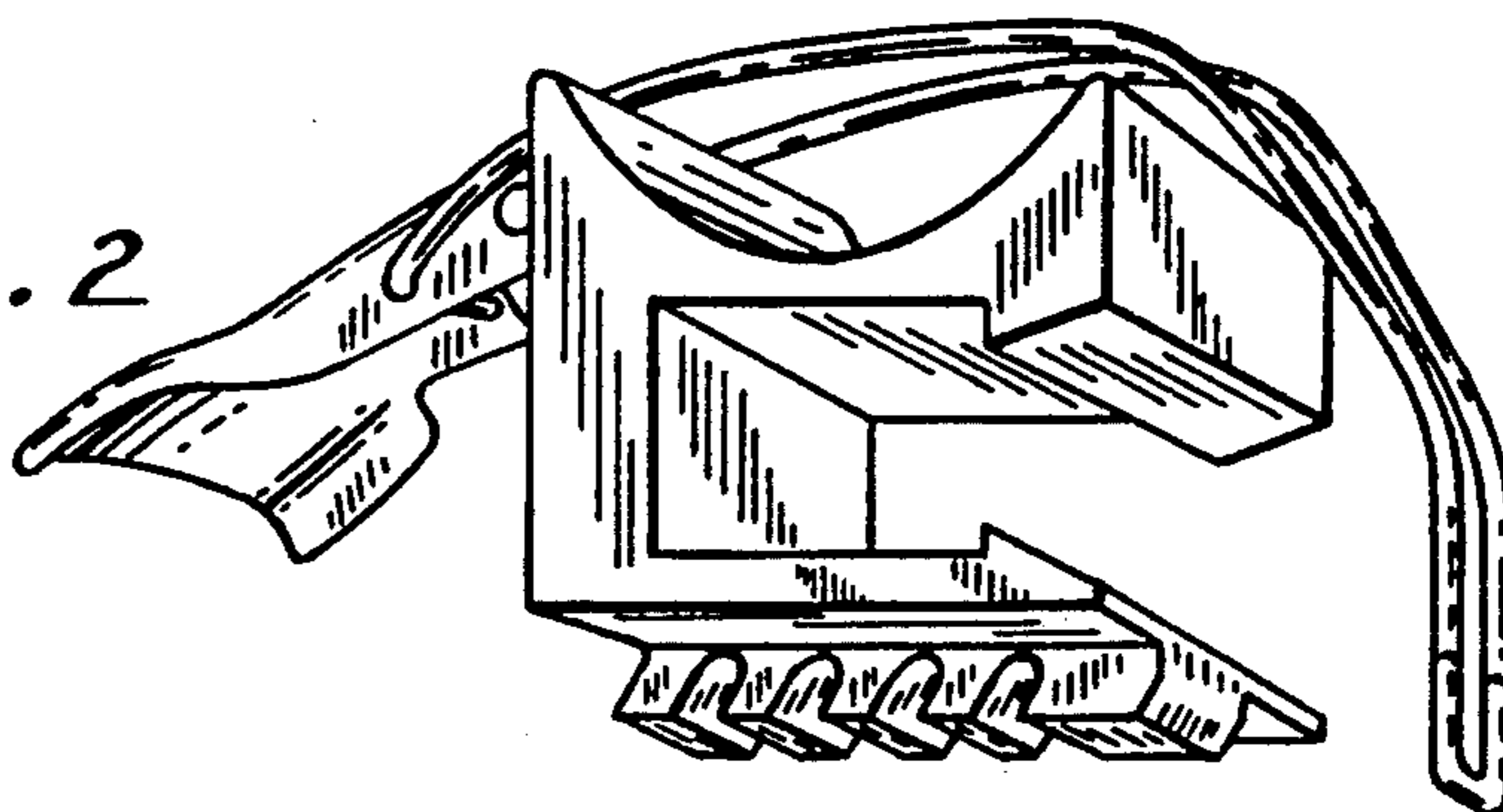


FIG. 2

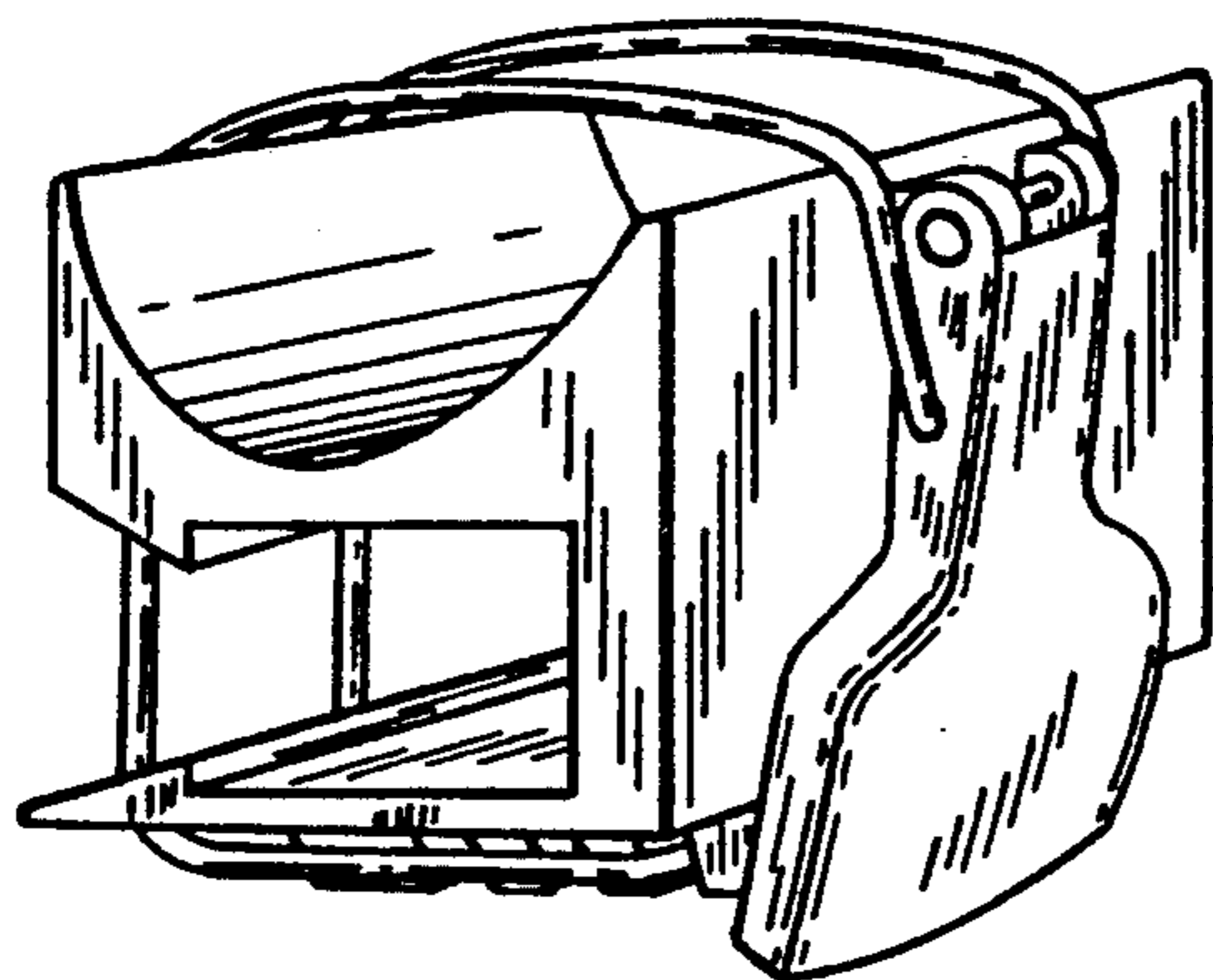


FIG. 3

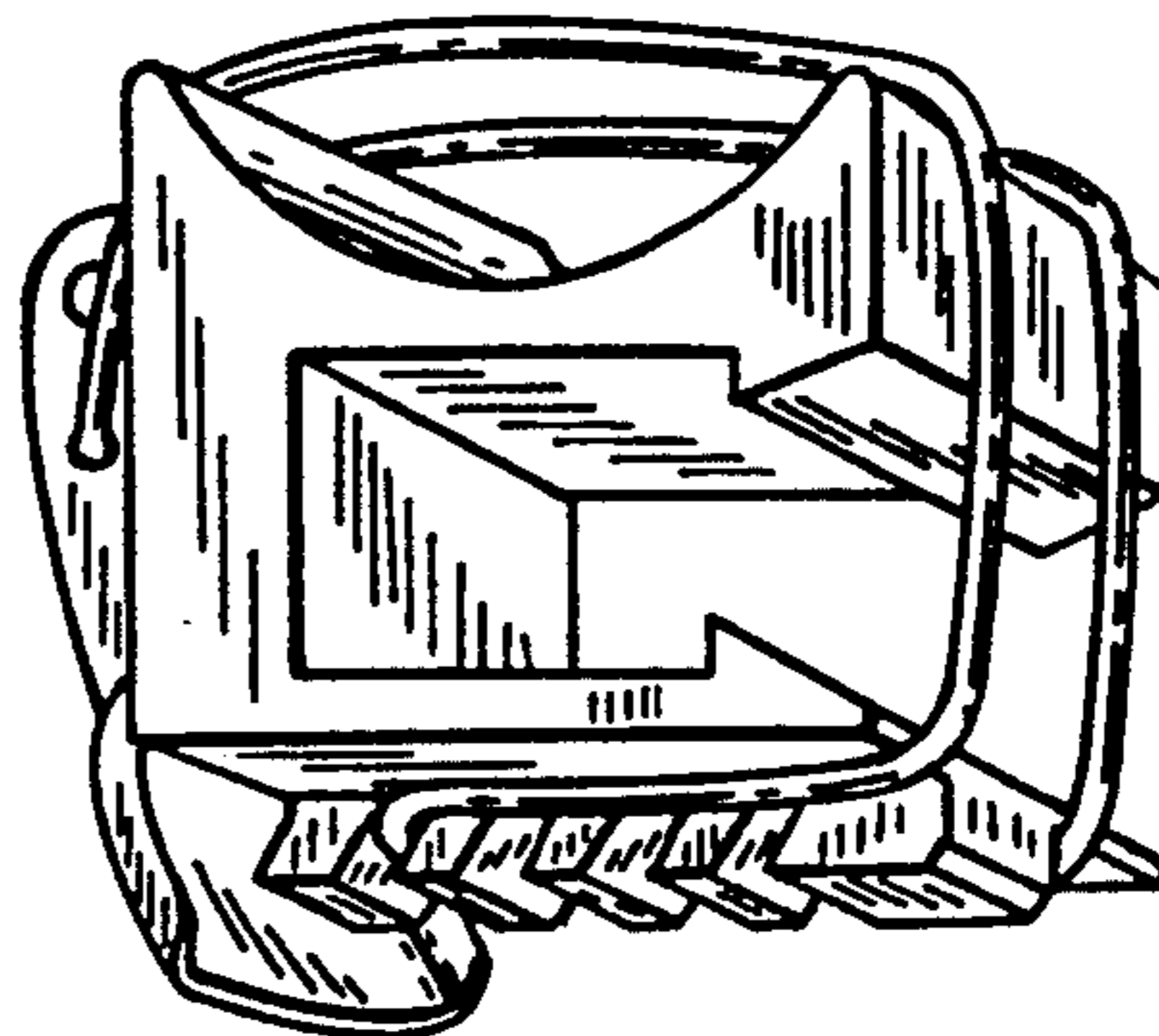


FIG. 4

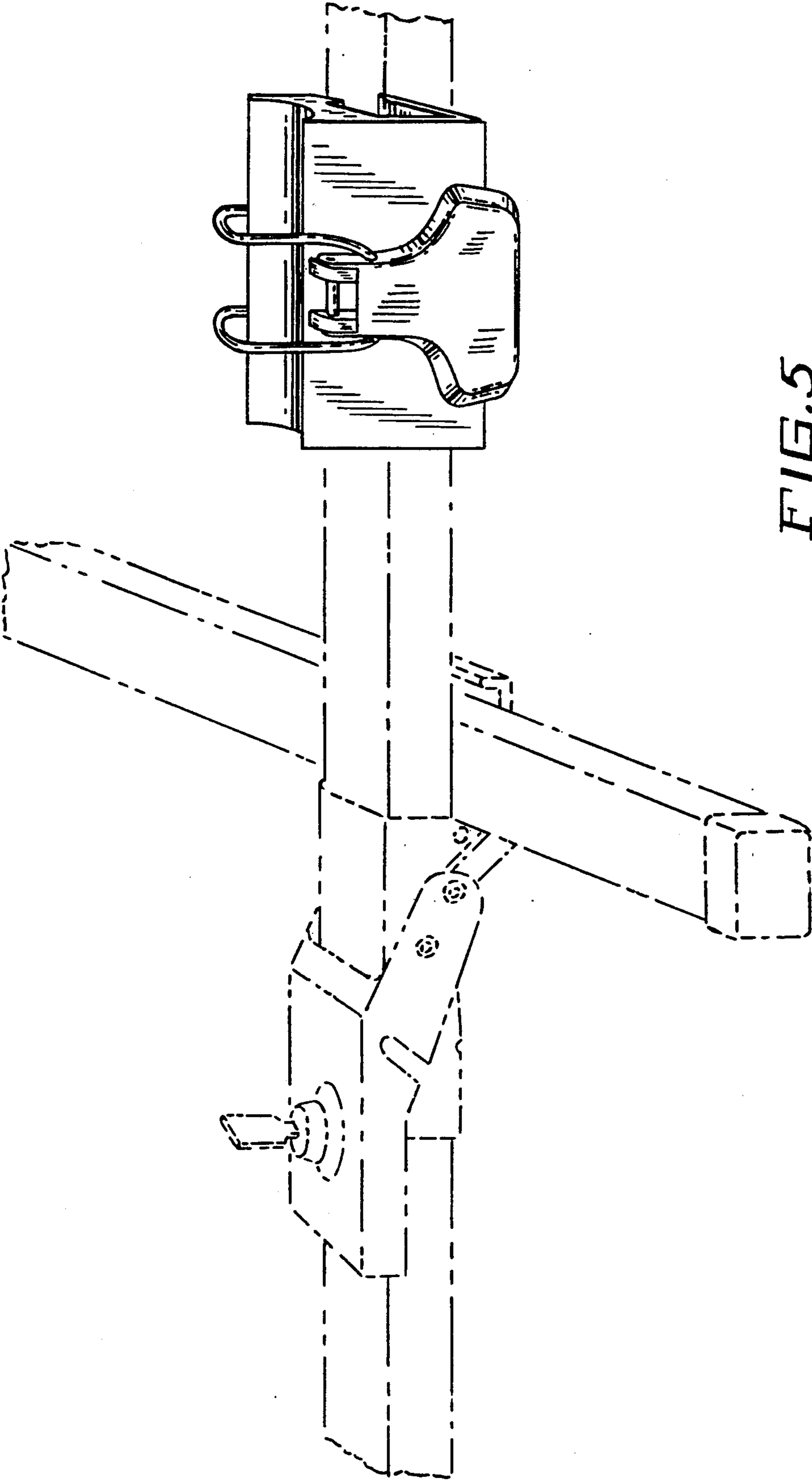


FIG. 6

