

[54] TRACTOR WITH FIFTH WHEEL PLATE FOR MOVING TRAILERS

4,781,516 11/1988 Cripe et al. D12/1

[75] Inventor: Stanley E. Beck, Lufkin, Tex.

FOREIGN PATENT DOCUMENTS

[73] Assignee: Lufkin Industries, Inc., Lufkin, Tex.

1385739 2/1975 United Kingdom 280/425.1

[**] Term: 14 Years

Primary Examiner—James M. Gandy
Assistant Examiner—Melody Brown

[21] Appl. No.: 418,457

[57] CLAIM

[22] Filed: Oct. 10, 1989

The ornamental design for a tractor with fifth wheel plate for moving trailers, as shown.

[52] U.S. Cl. D12/1

[58] Field of Search D12/1, 14; 280/425.1;
414/590; 298/20 A, 20 AE

DESCRIPTION

[56] References Cited

U.S. PATENT DOCUMENTS

- 3,677,563 7/1972 Bott 280/425.1
- 4,111,273 9/1978 Blackburn et al. 280/425.1
- 4,391,455 7/1983 Fagerstedt 280/425.1

FIG. 1 is a right side elevational view of a tractor with fifth wheel plate for moving trailers showing my new design;

FIG. 2 is a front end elevational view thereof;

FIG. 3 is a left side elevational view thereof;

FIG. 4 is a rear end elevational view thereof;

FIG. 5 is a top plan view thereof.

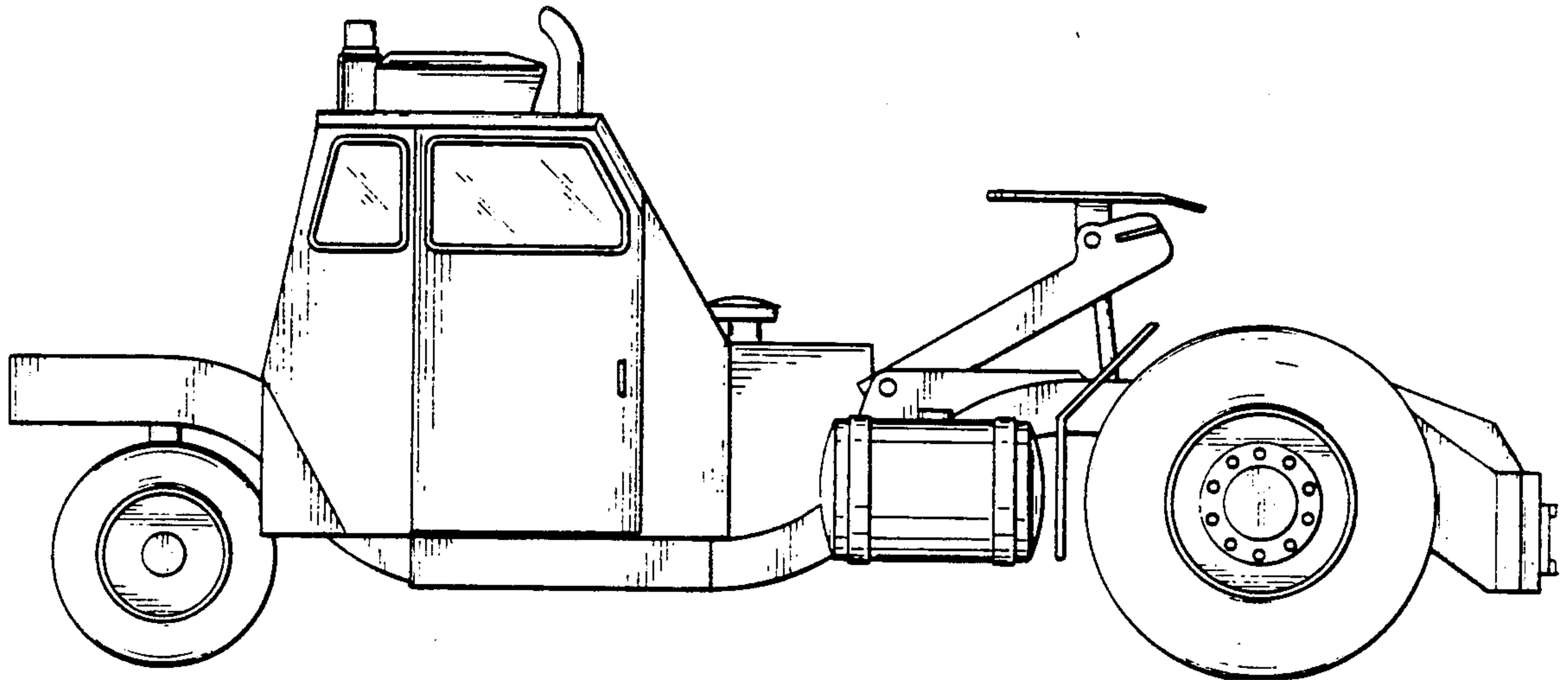


FIG. 1

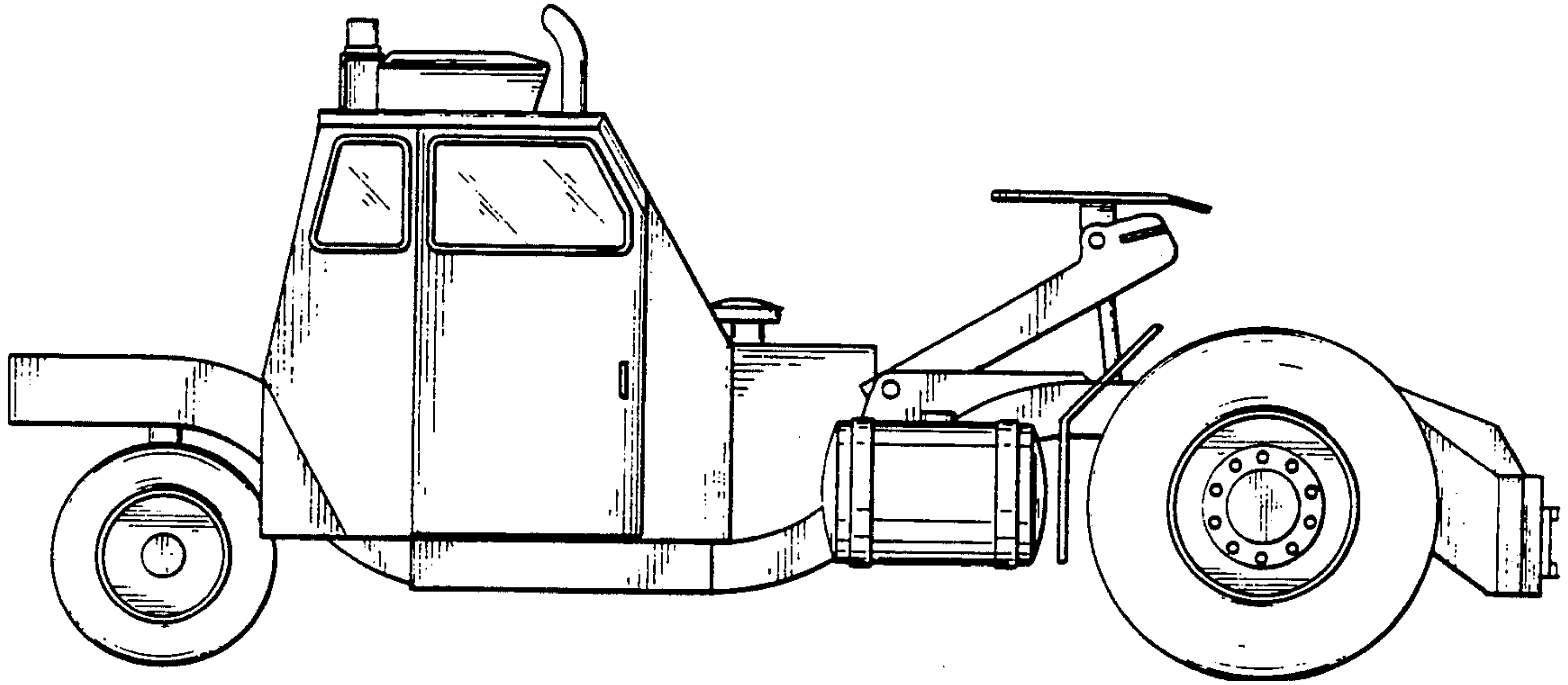


FIG. 2

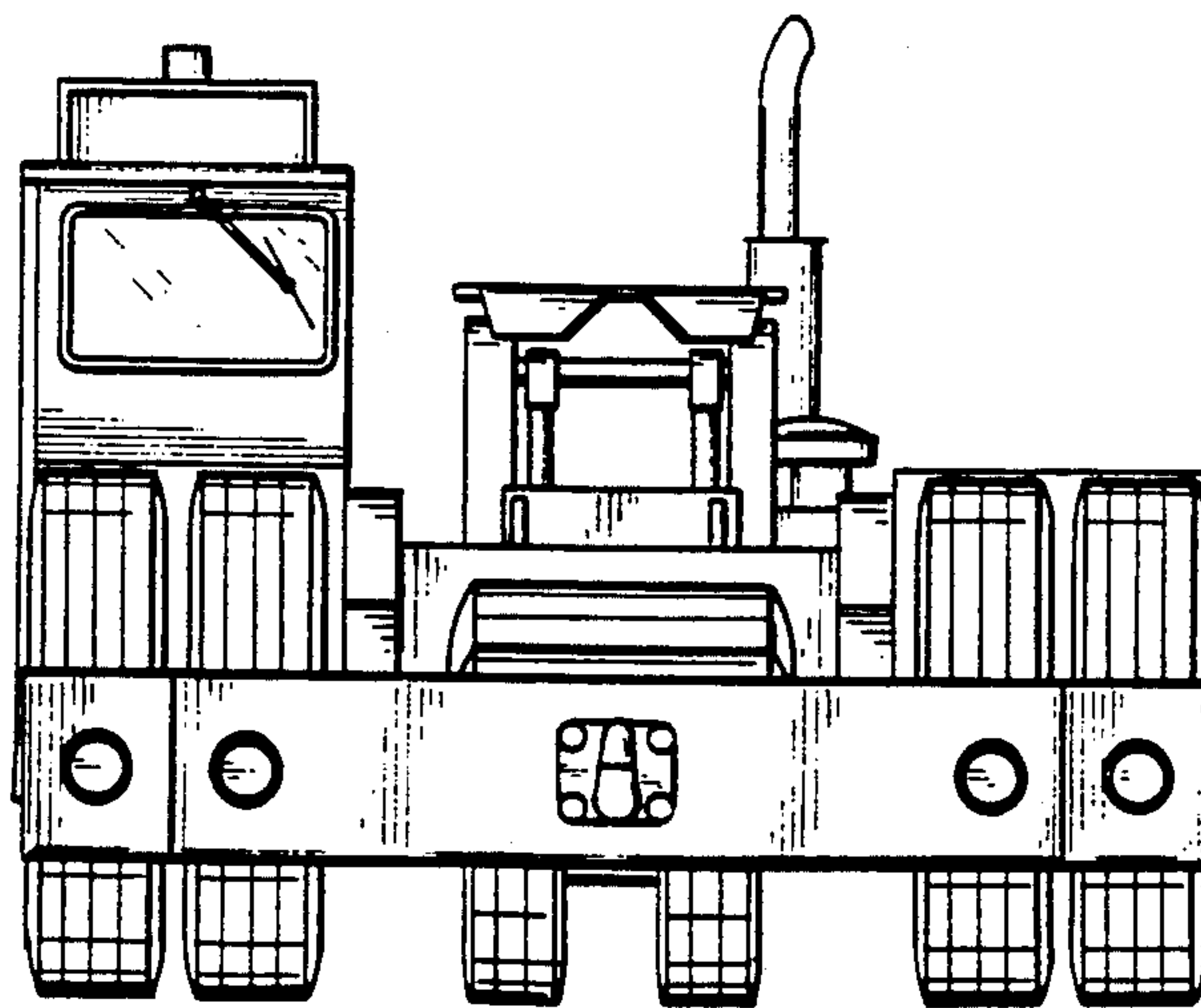


FIG. 3

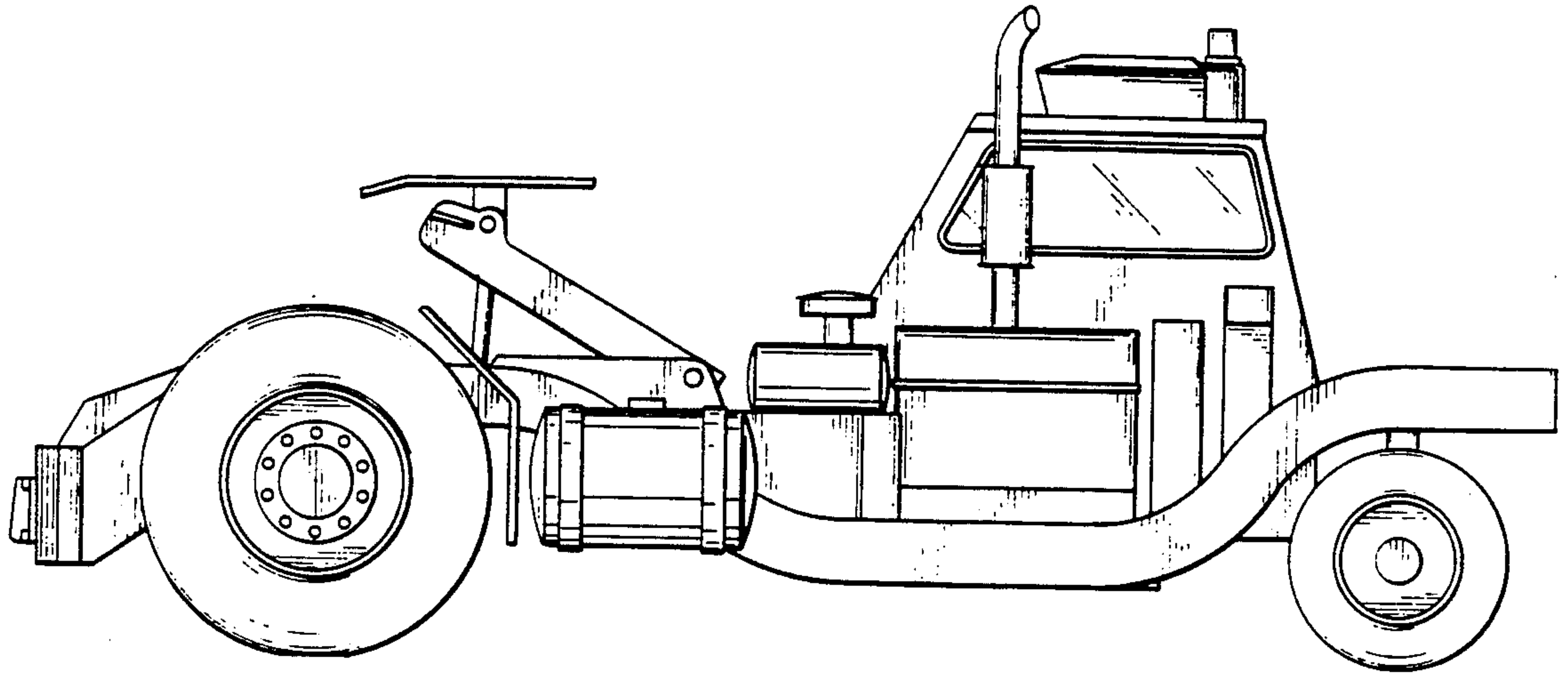
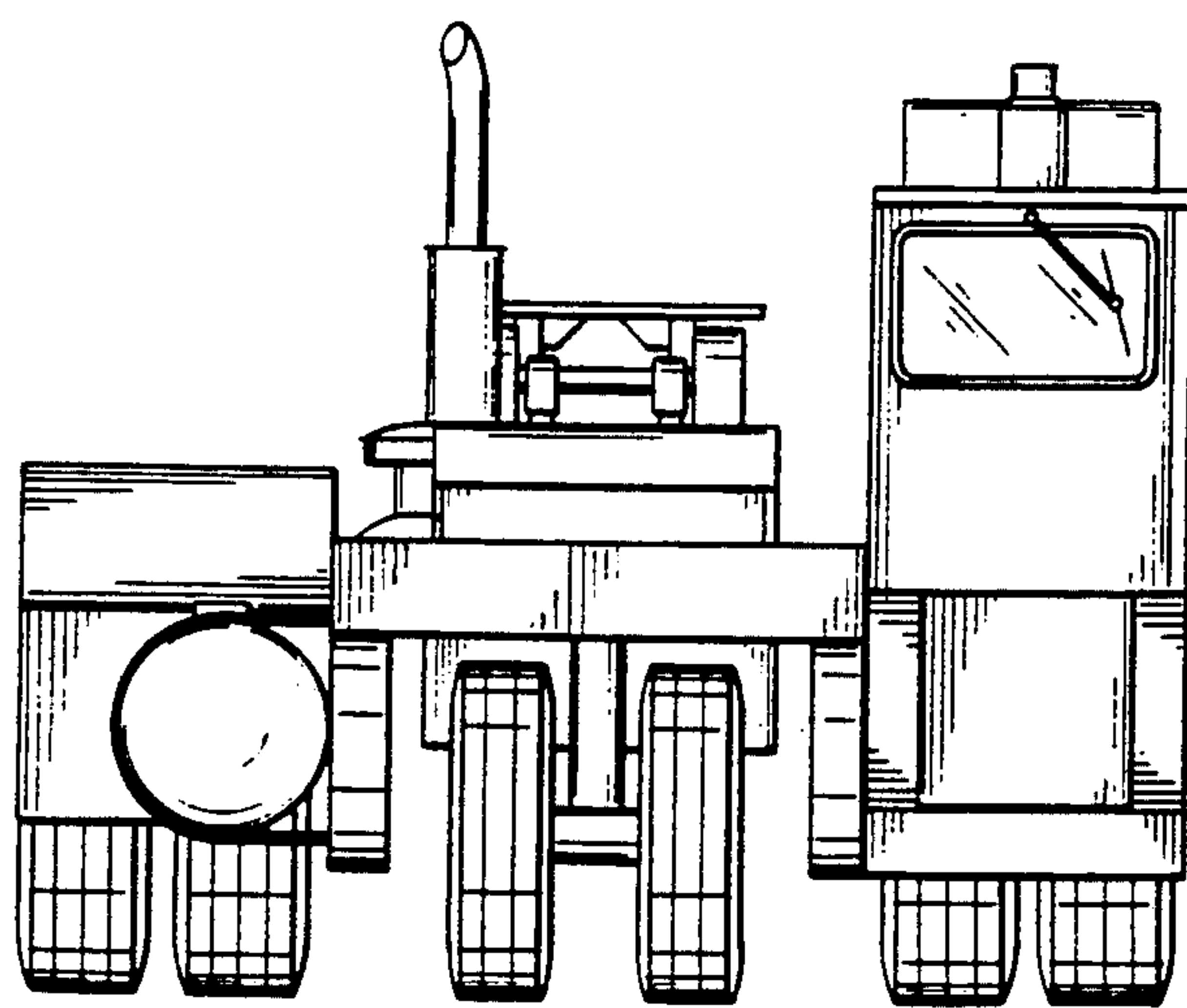


FIG. 4



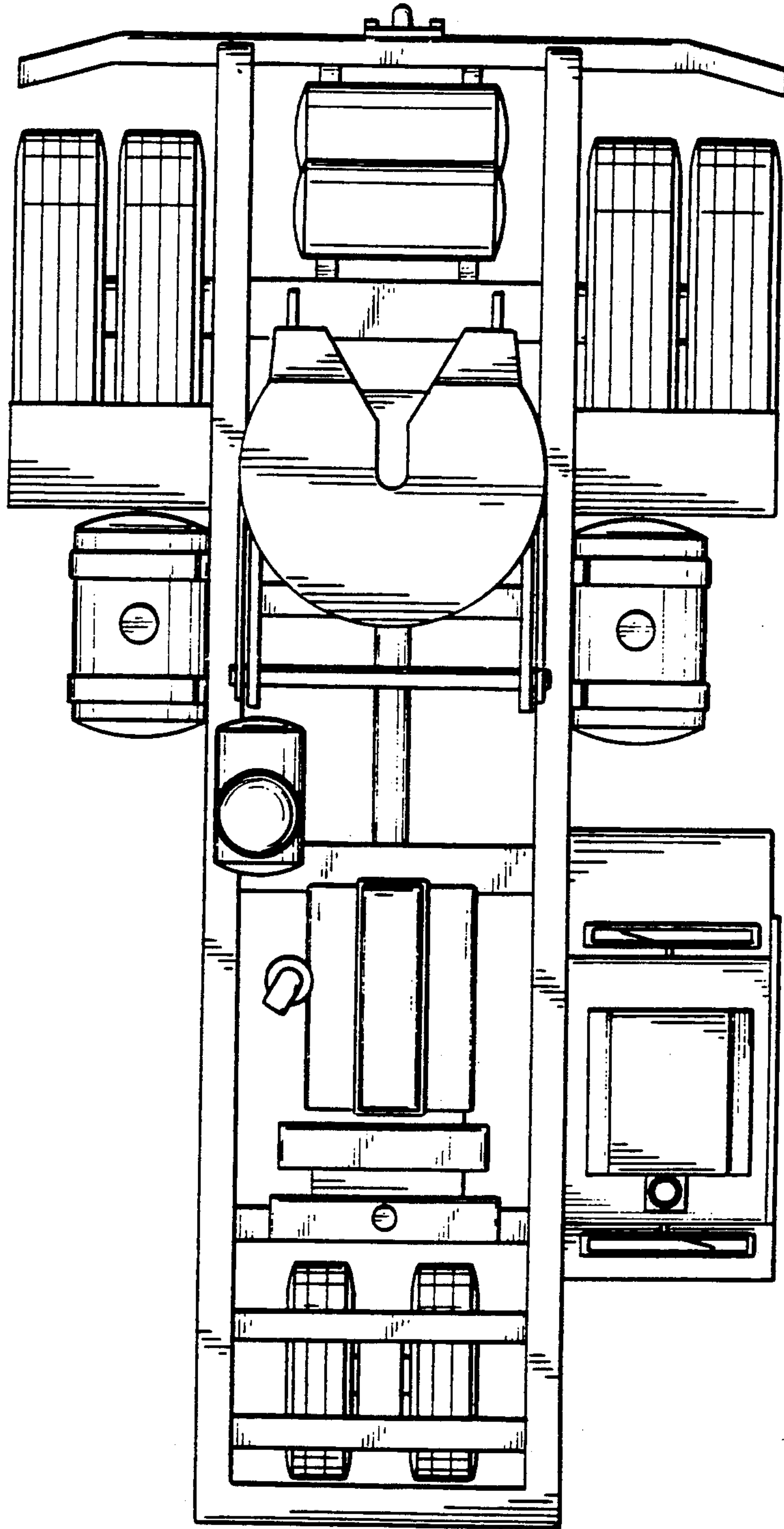


FIG. 5