

[54] ADJUSTABLE CIRCLE CUTTING ATTACHMENT

[76] Inventor: Nathaniel G. McCormick, 10137 Filbert La., SW., Tacoma, Wash. 98499

[**] Term: 14 Years

[21] Appl. No.: 270,507

[22] Filed: Nov. 14, 1988

[52] U.S. Cl. D10/64

[58] Field of Search D10/61, 62, 64, 65, D10/70, 71, 74; 33/201, 202, 811, 42, 197, 640, 483; 83/471.3, 486.1, 522.19, 421, 435.1, 437, 477.2

[56] References Cited

U.S. PATENT DOCUMENTS

D. 295,149 4/1988 Markin D10/70
4,843,728 7/1989 Francis 33/640

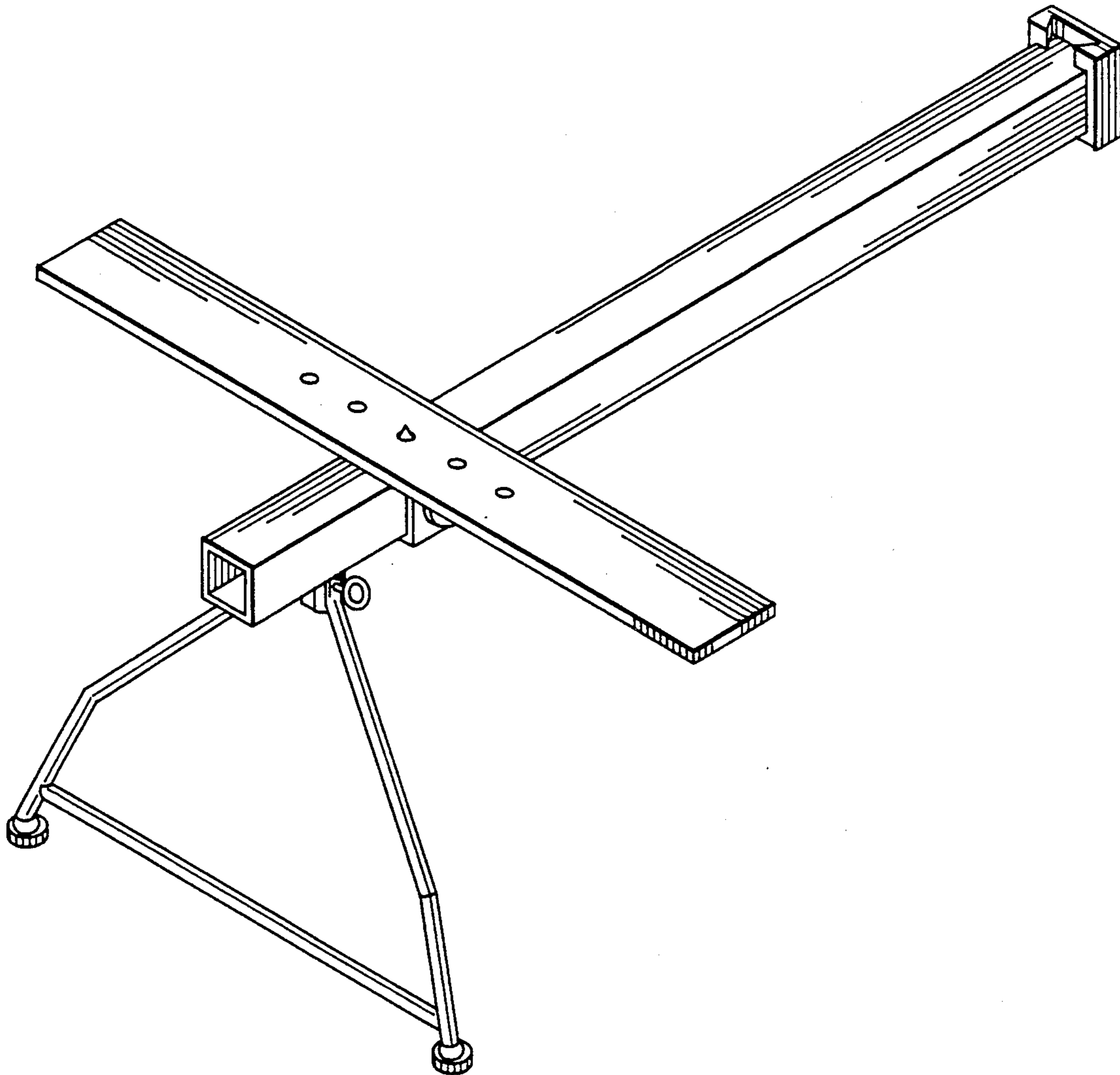
Primary Examiner—Nelson C. Holtje
Assistant Examiner—Antoine D. Davis
Attorney, Agent, or Firm—Leon Gildea

[57] CLAIM

The ornamental design for a adjustable circle cutting attachment, as shown and described.

DESCRIPTION

FIG. 1 is a front elevational view of an adjustable circle cutting attachment showing my new design; FIG. 2 is a rear elevational view; FIG. 3 is a right side elevational view; FIG. 4 is a left side elevational view; FIG. 5 is a top plan view; FIG. 6 is a bottom plan view; and FIG. 7 is a perspective view thereof.



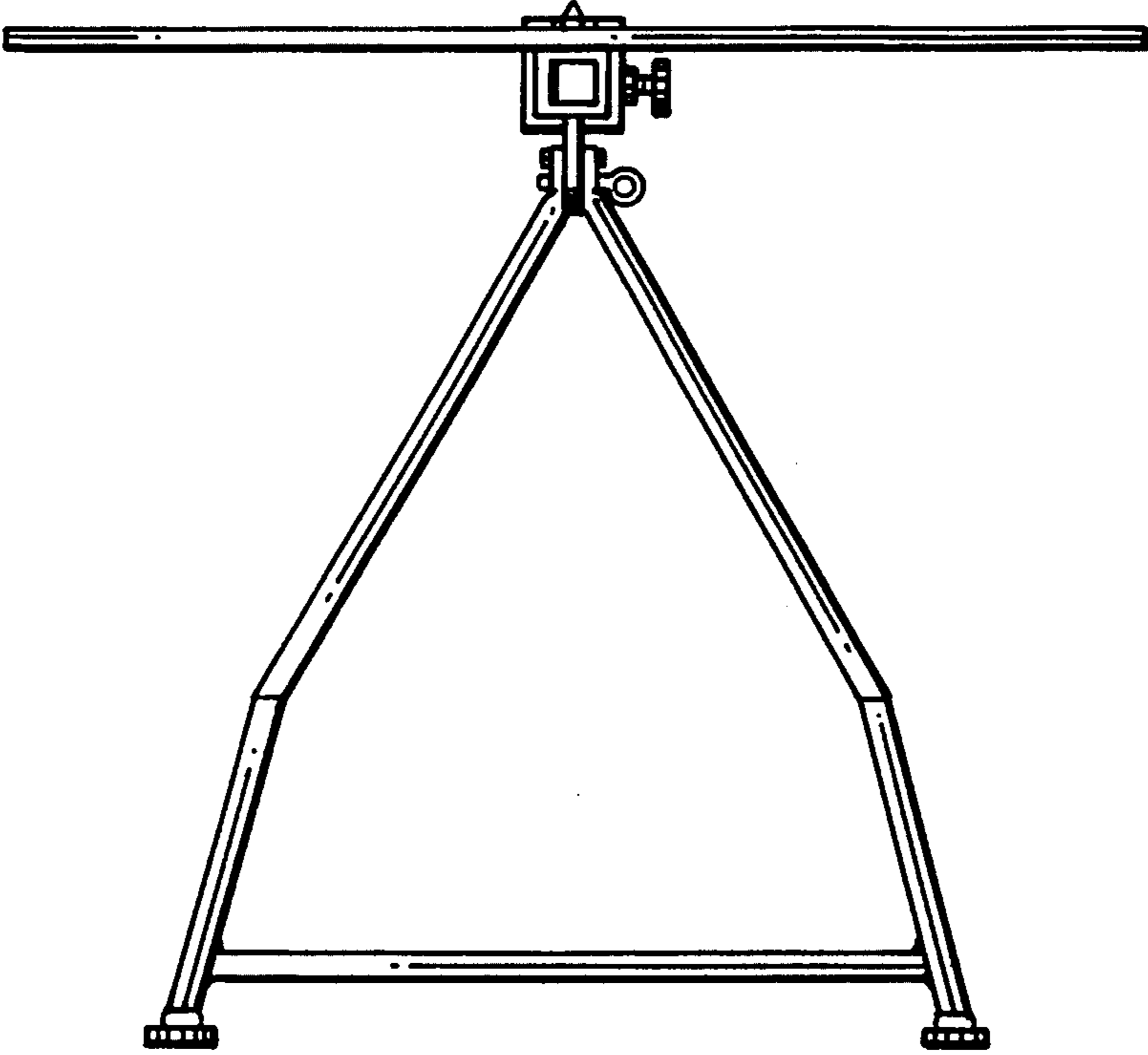


Fig. 1

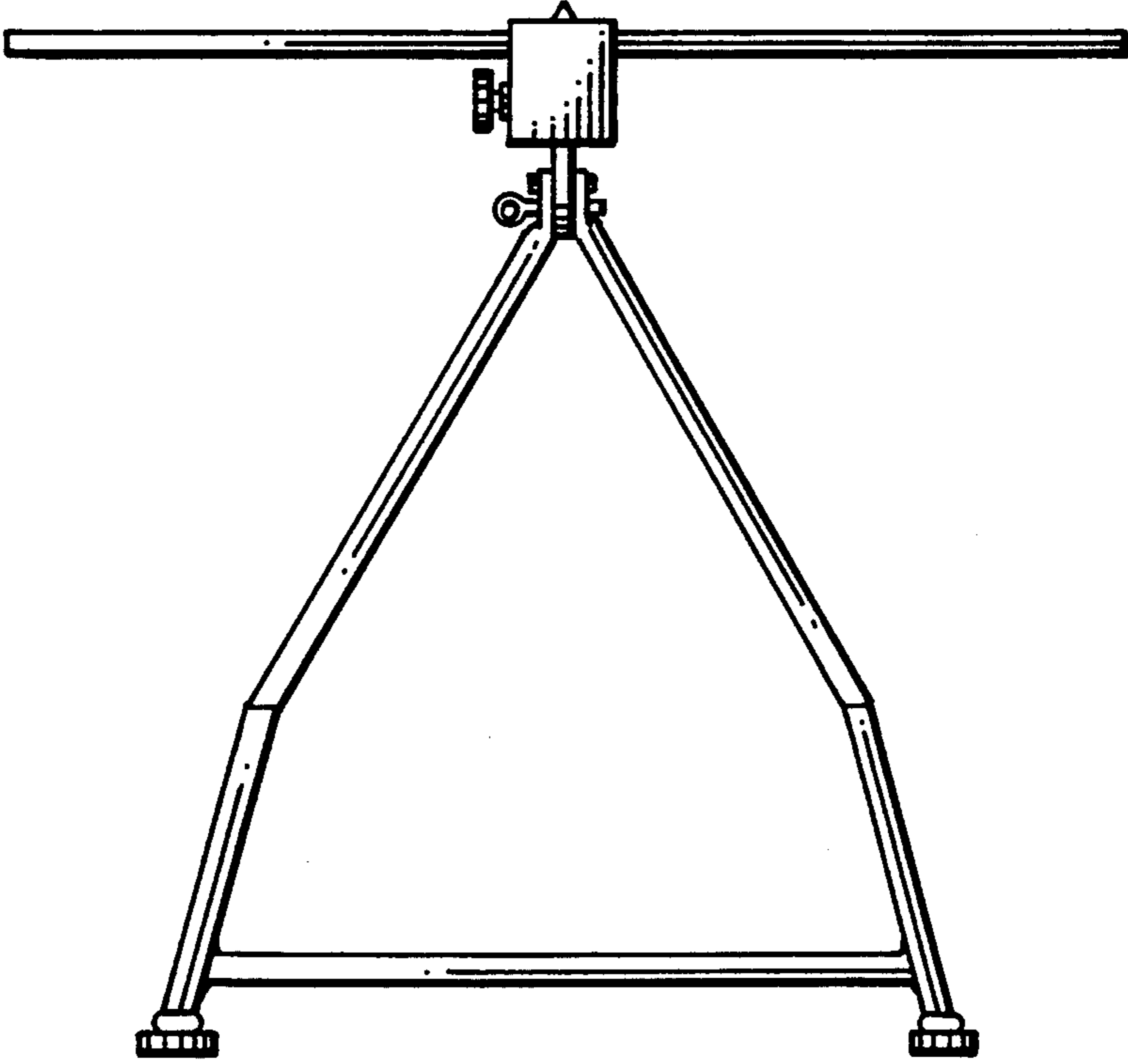
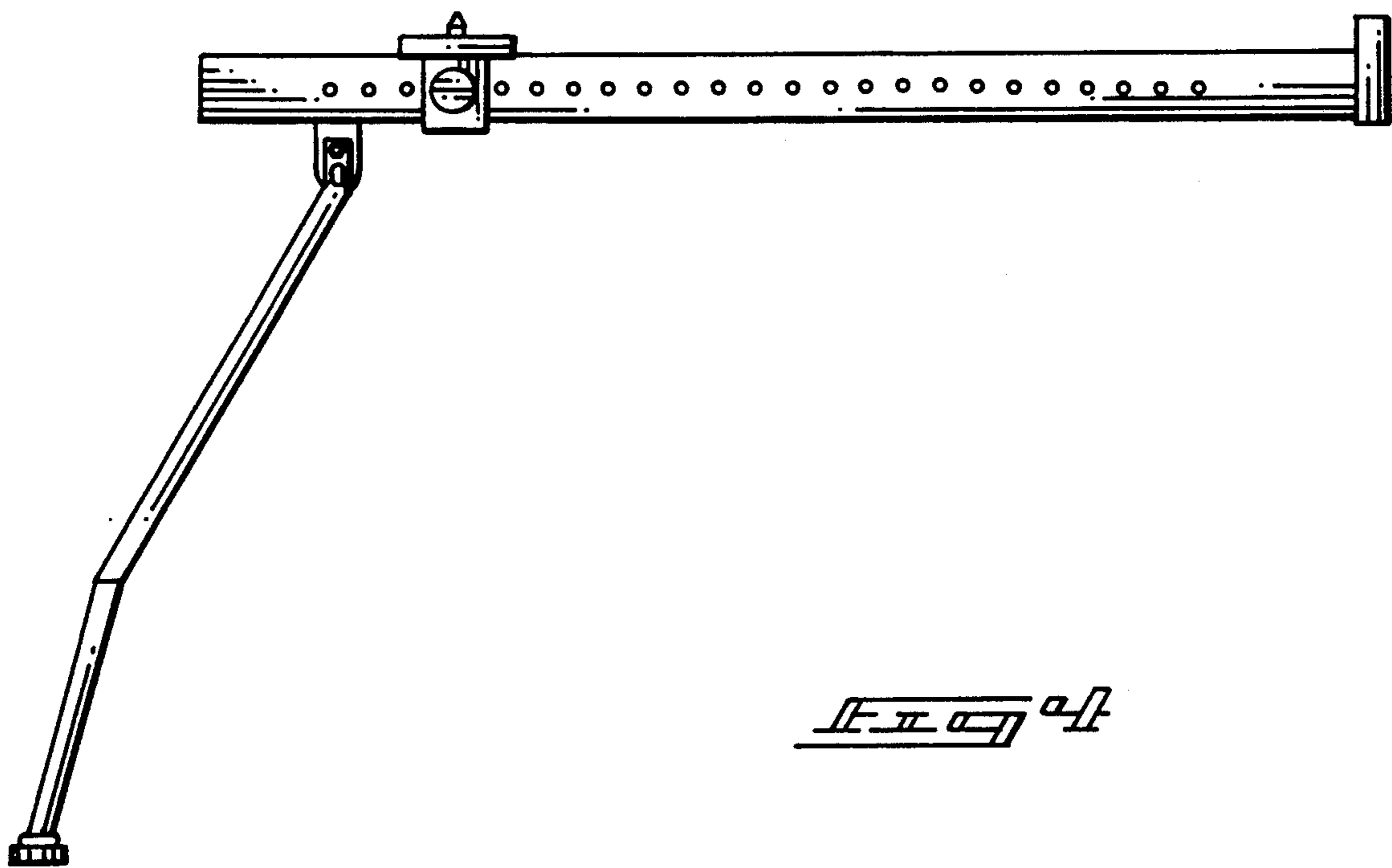
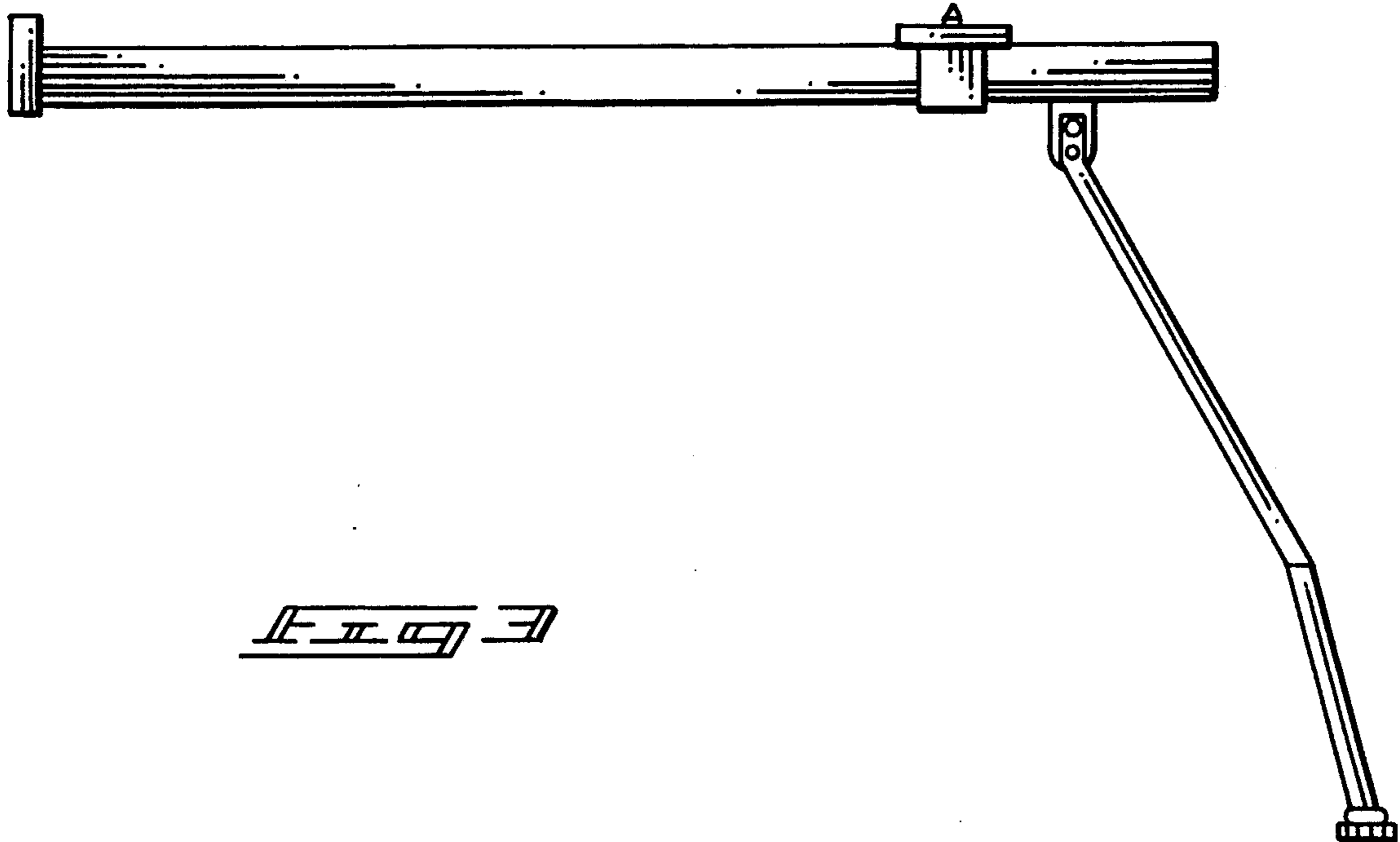


Fig. 2

01 -



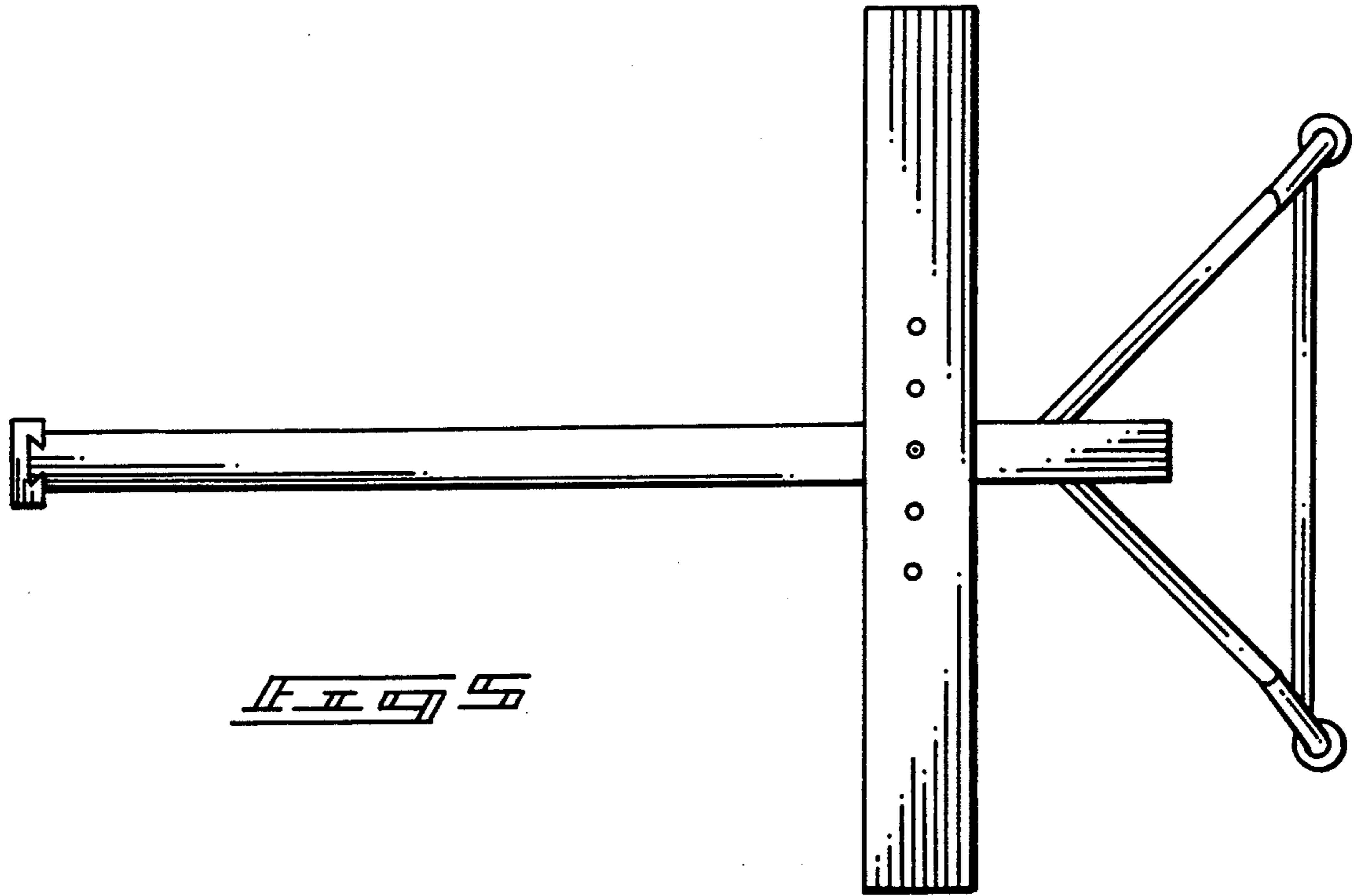


Fig. 5

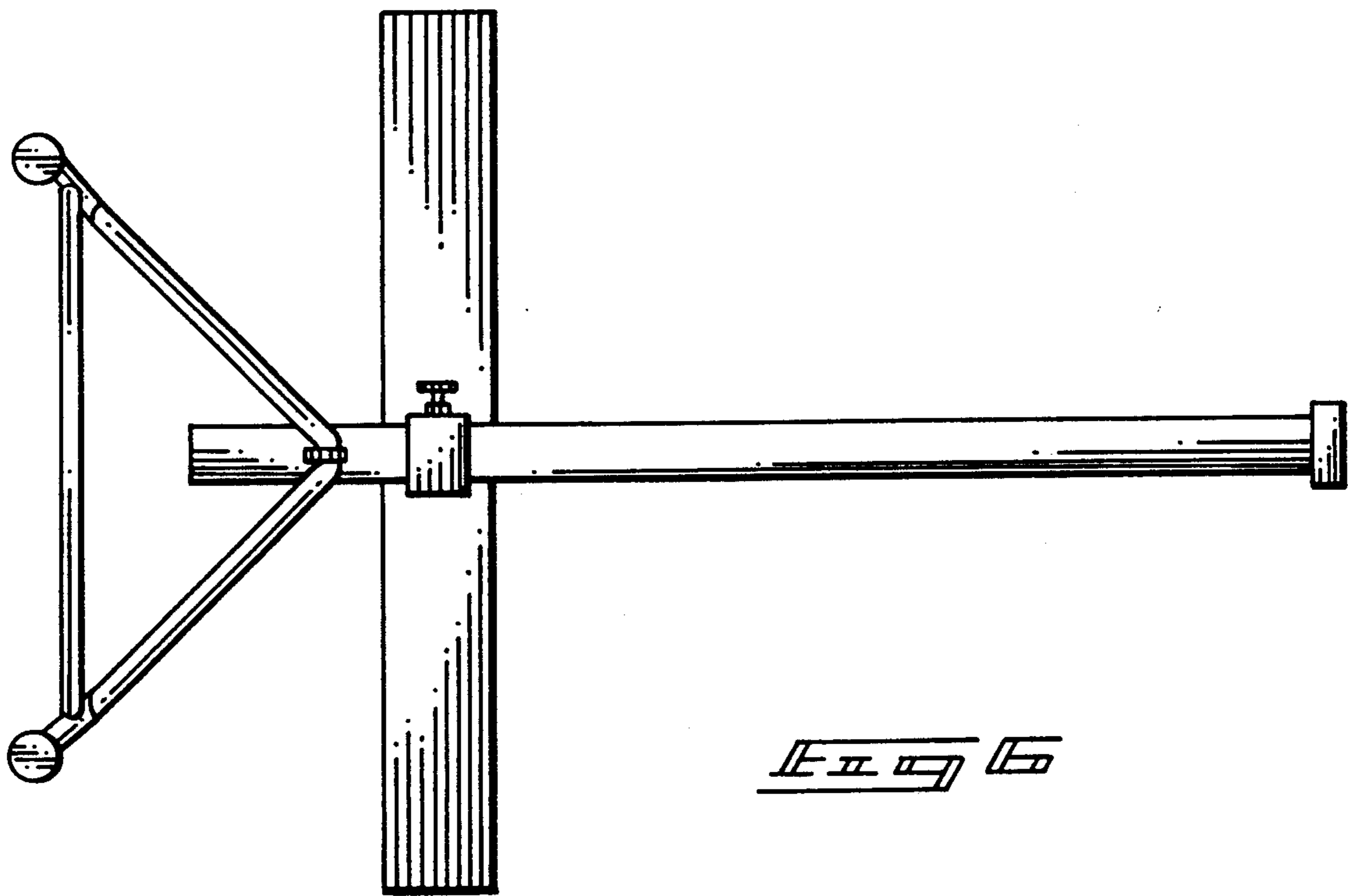


Fig. 6

