

[54] CLOSURE

4,793,501 12/1988 Beck ..... 220/339

[76] Inventors: Robert J. Bolen, Jr., 10 Gwynn Ct., Closter, N.J. 07624; Thomas R. Bolen, 64 Wheeler Ave., Westwood, N.J. 07675

OTHER PUBLICATIONS

The 1985 Packaging Encyclopedia; p. 9; Closure, front row 3rd from right.

[\*\*] Term: 14 Years

Primary Examiner—B. J. Bullock  
Assistant Examiner—Dominic Simone  
Attorney, Agent, or Firm—Davis Hoxie Faithfull & Hapgood

[21] Appl. No.: 215,437

[22] Filed: Jul. 1, 1988

[52] U.S. Cl. .... D9/446; D9/434; D9/447

[57] CLAIM

The ornamental design for a closure, as shown.

[58] Field of Search ..... D9/435, 446, 447, 450, D9/453; 222/542, 566, 567, 569, 570, 571; 220/85 SP, 96, 90.2-90.6, 288, 291, 254, 306, 375, 335, 338, 339, 379, 334; 215/235-243, 295, 303, 304, 306, 355, 356, 363

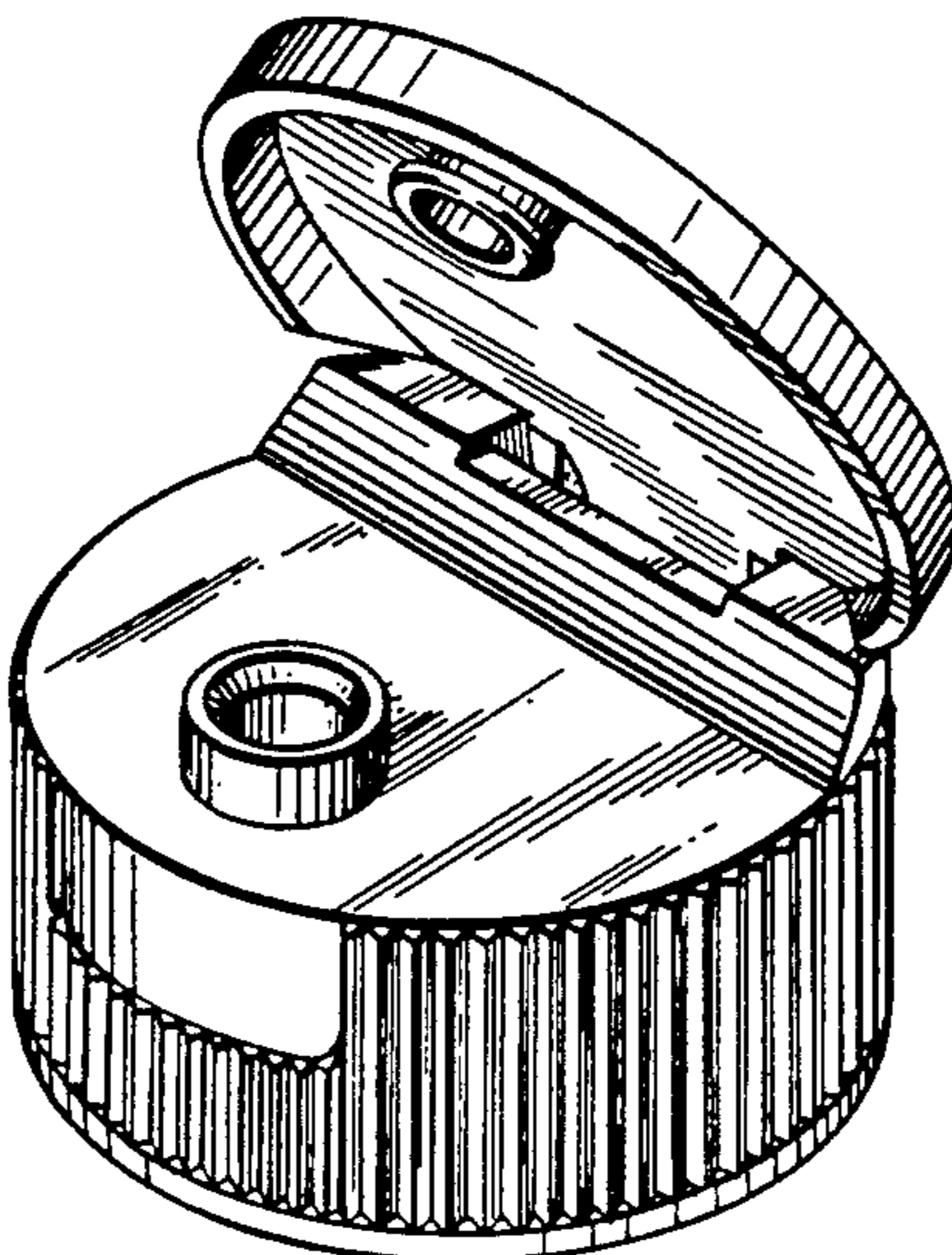
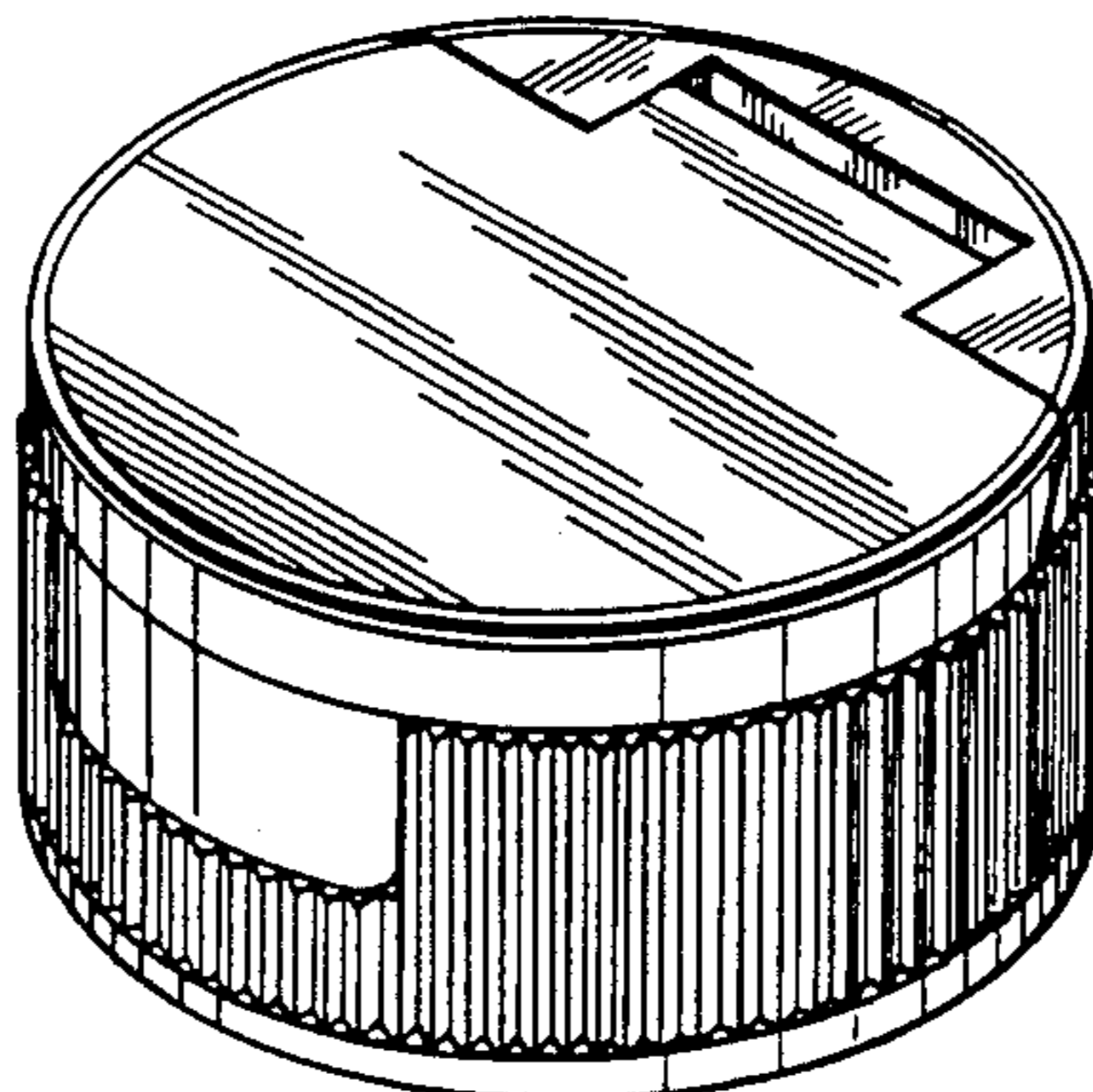
DESCRIPTION

FIG. 1 is a perspective view of a closure showing our new design;  
FIG. 2 is a top plan view thereof;  
FIG. 3 is a front elevational view thereof;  
FIG. 4 is a right side elevational view thereof, the opposite side being a mirror image;  
FIG. 5 is a rear elevational view thereof;  
FIG. 6 is a perspective view thereof, the lid in an open position; and  
FIG. 7 is a right side elevational view thereof, the lid in an open position, the opposite side being a mirror image.

[56] References Cited

U.S. PATENT DOCUMENTS

D. 274,309	6/1984	Aldrich, III	.....	D9/446
D. 306,701	3/1990	Beck	.....	D9/447
3,308,835	3/1967	Silverbey	.....	220/334
3,782,583	1/1974	Abbey	.....	220/339
4,545,495	10/1985	Kinsley	.....	220/339



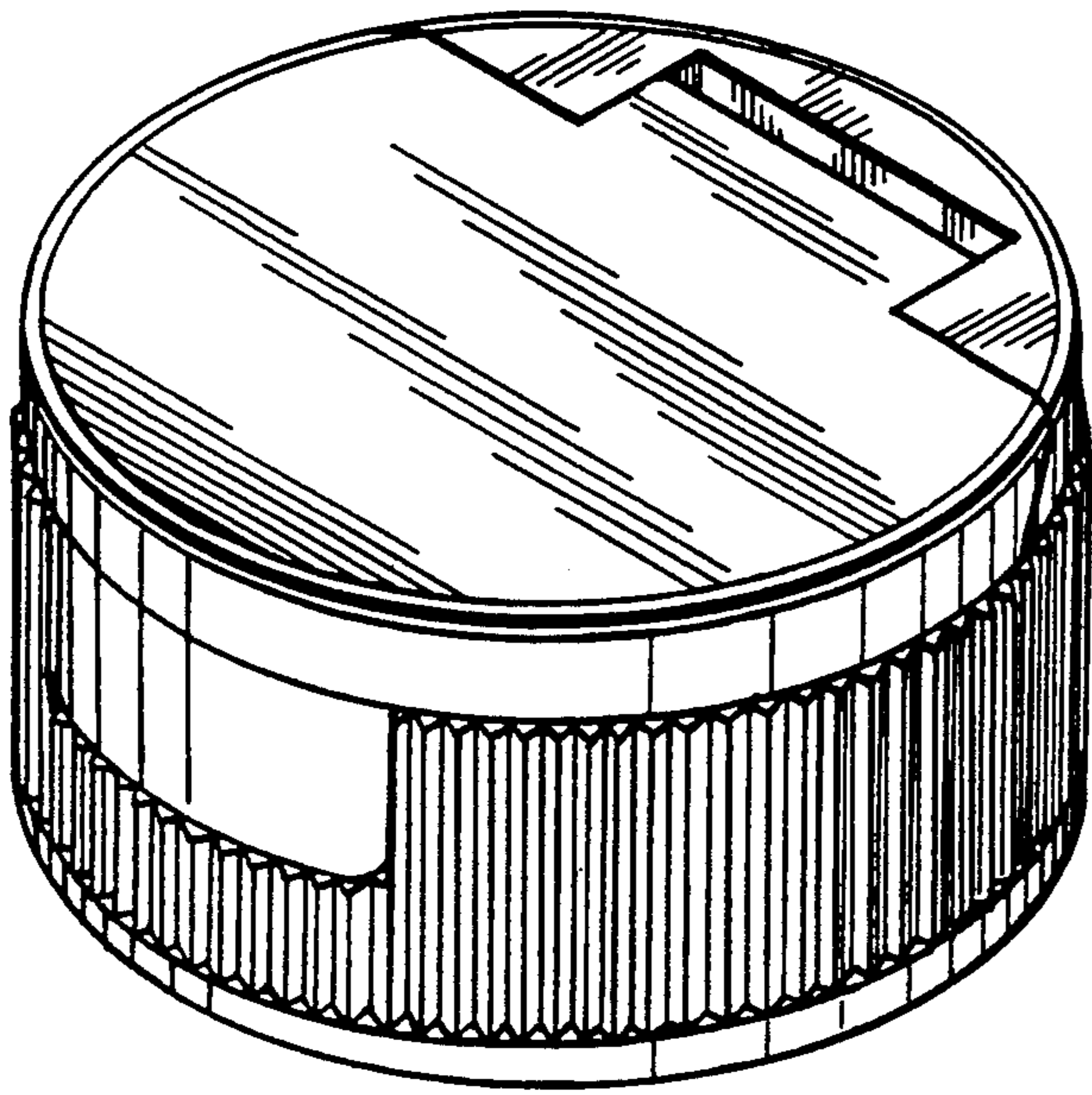


FIG. 1

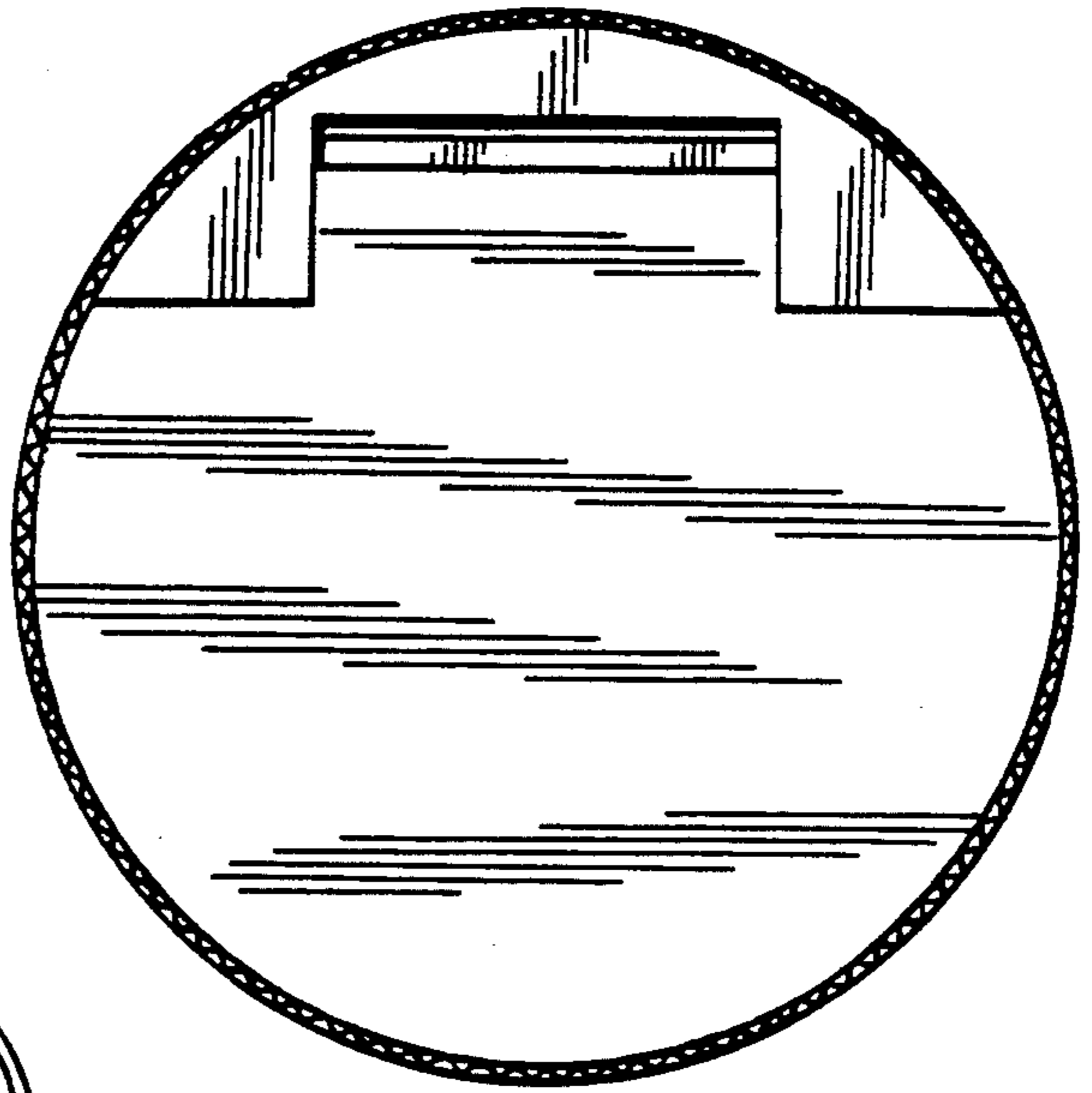


FIG. 2

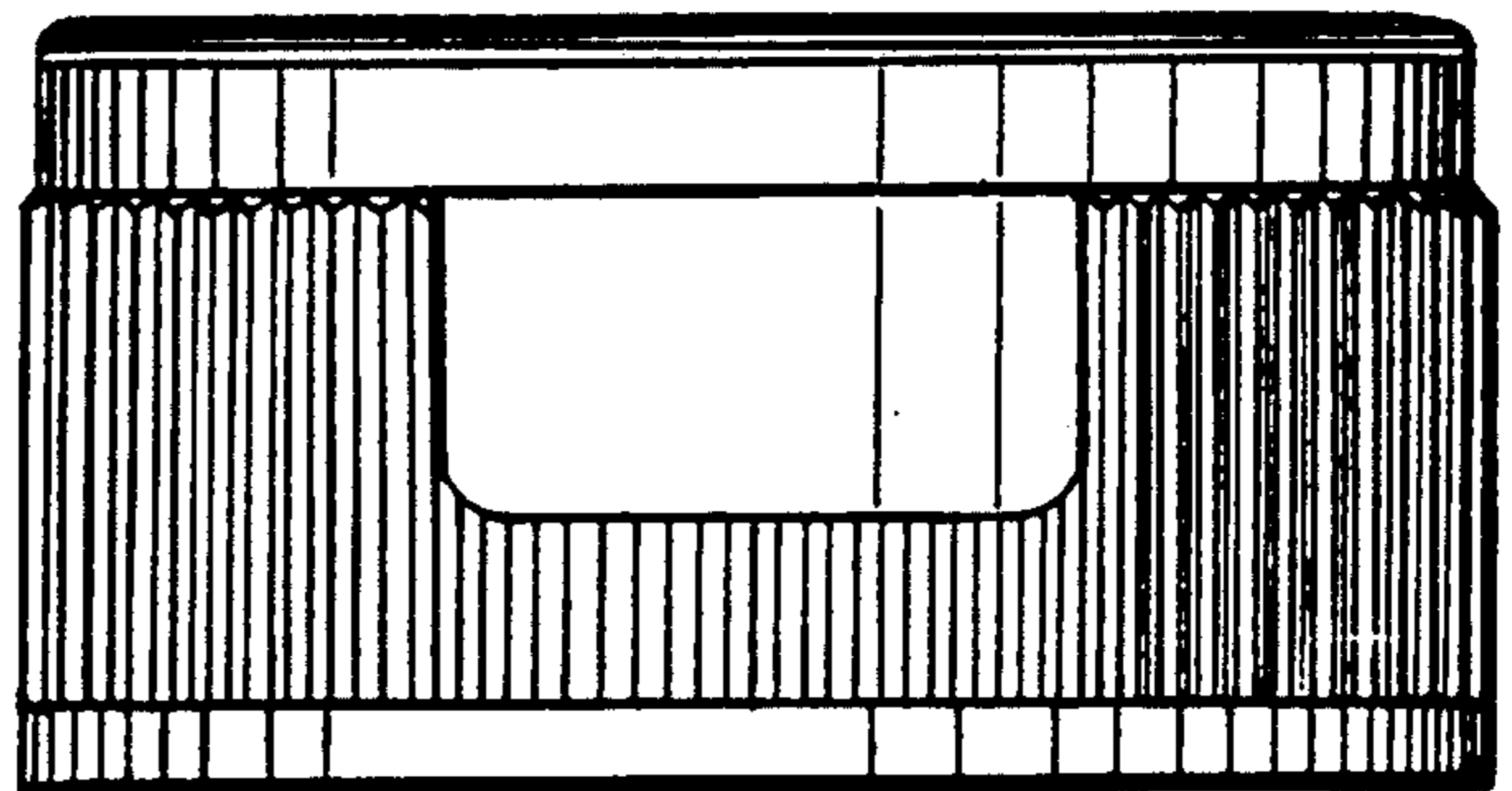


FIG. 3

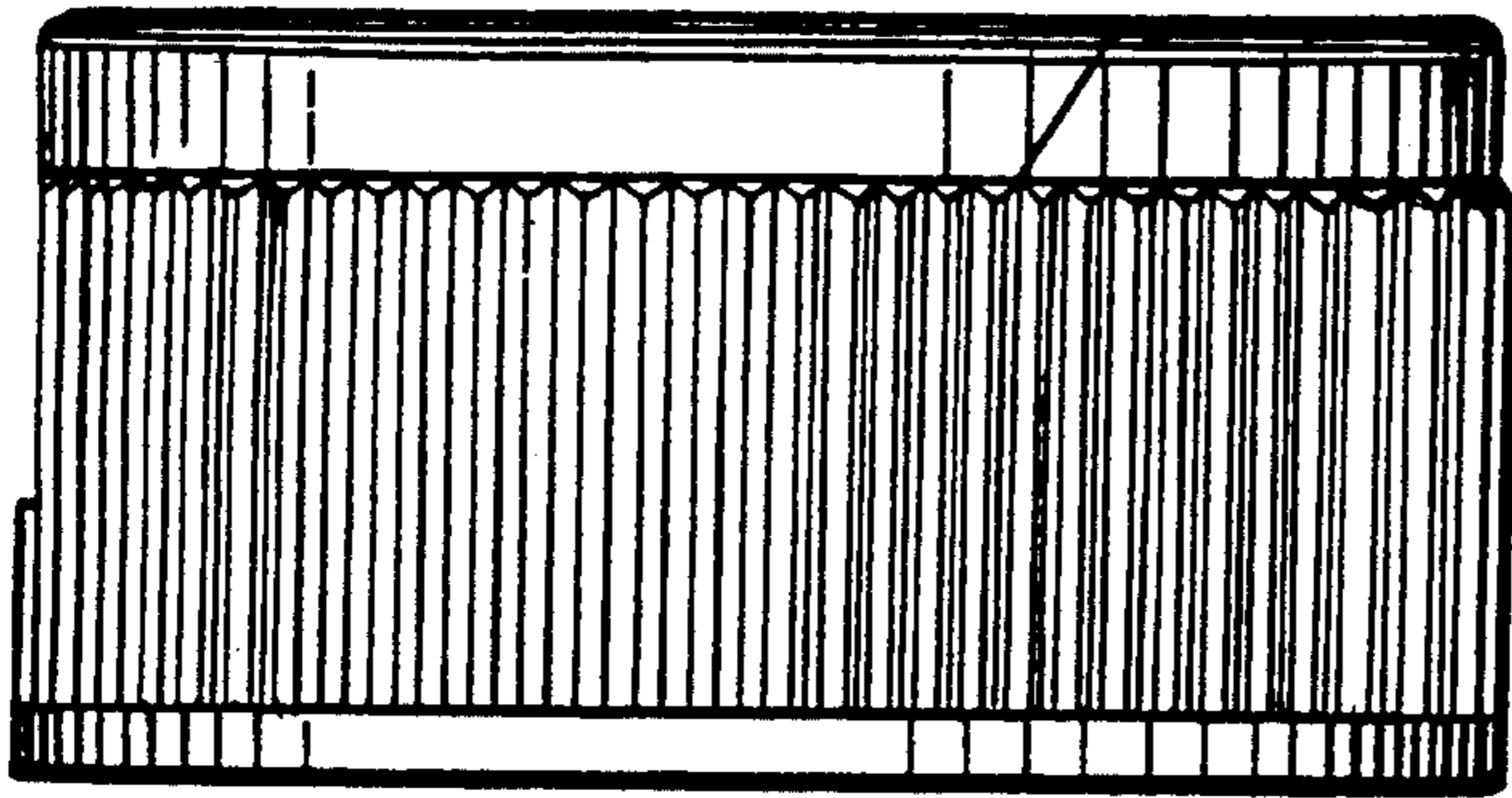


FIG. 4

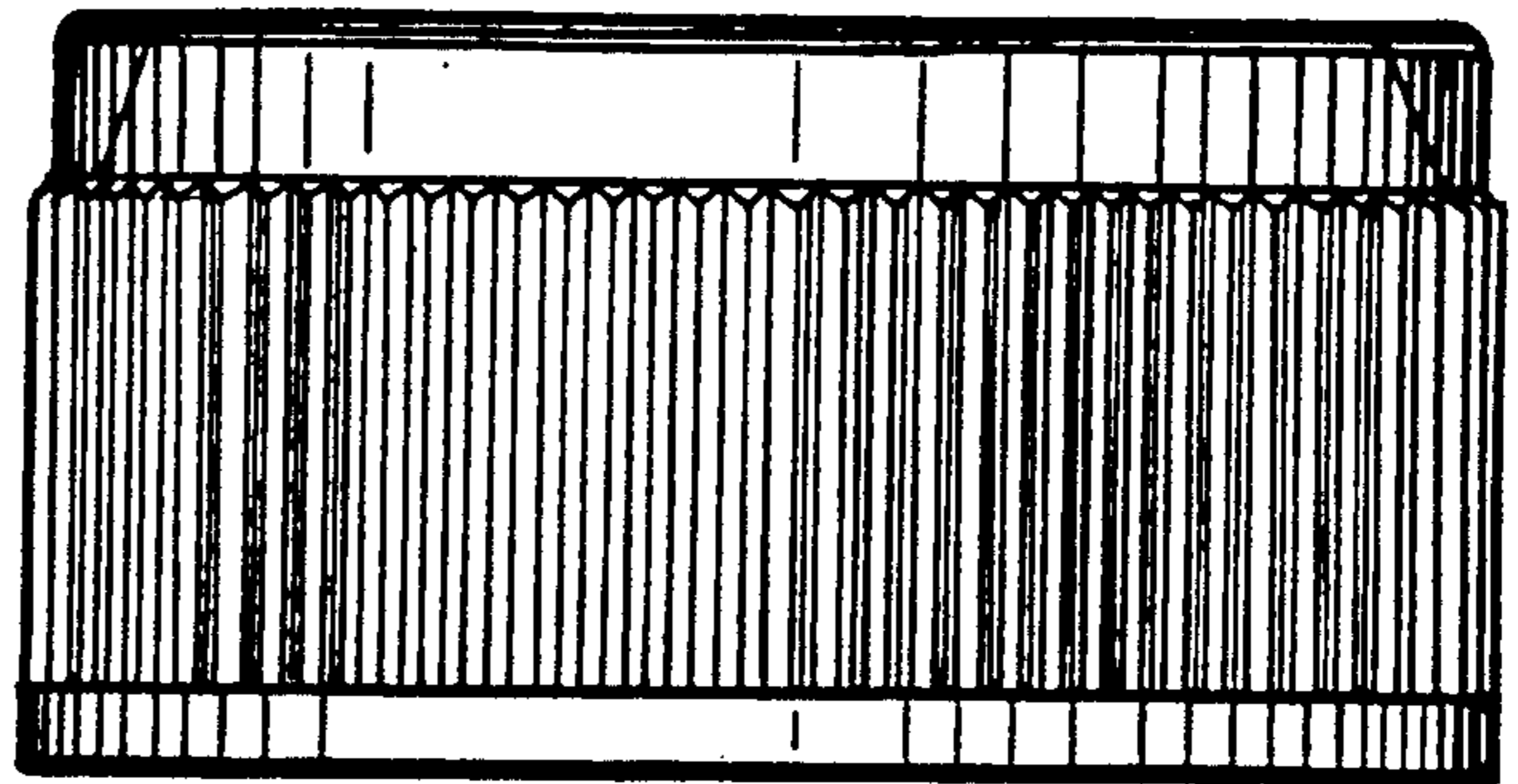


FIG. 5

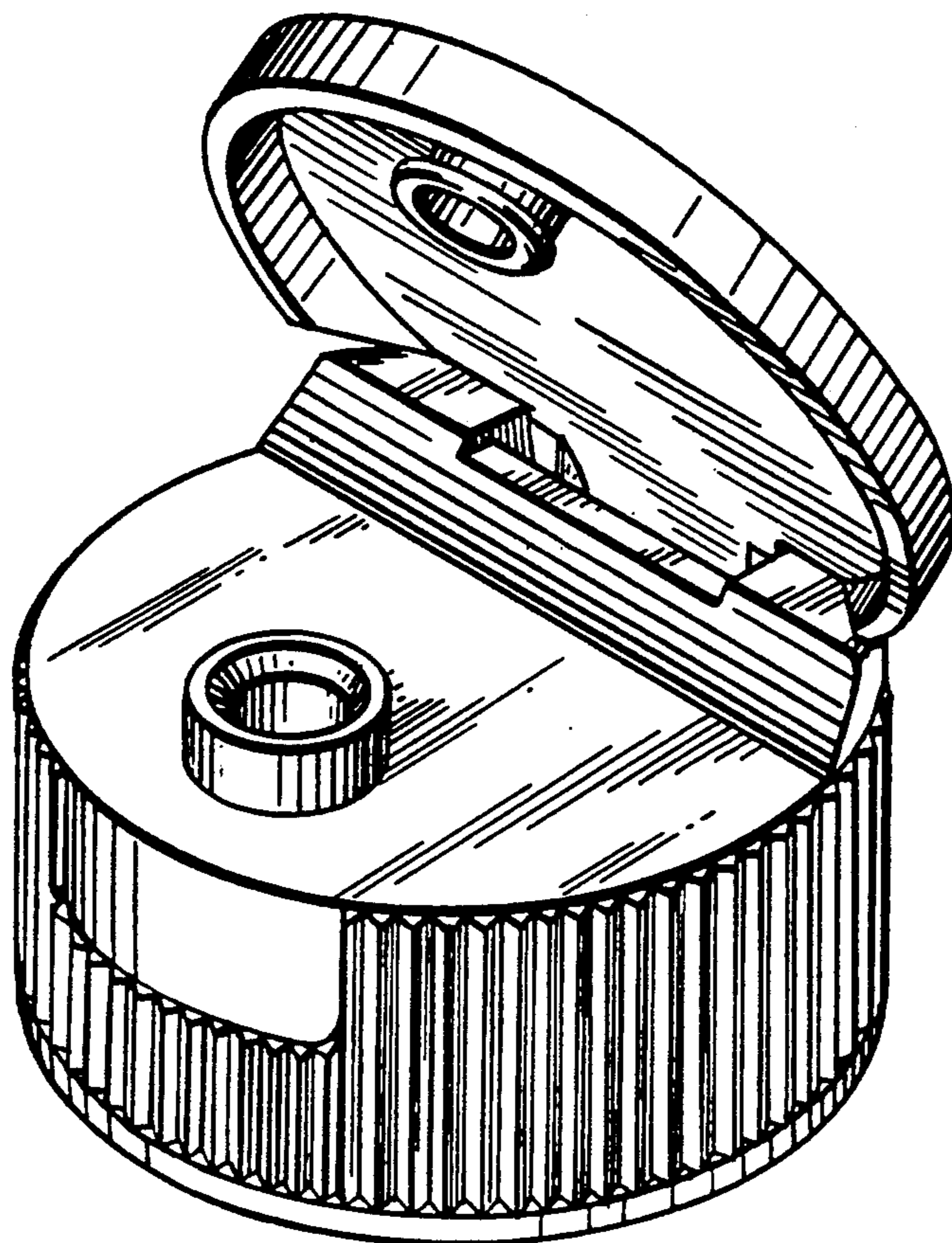


FIG. 6



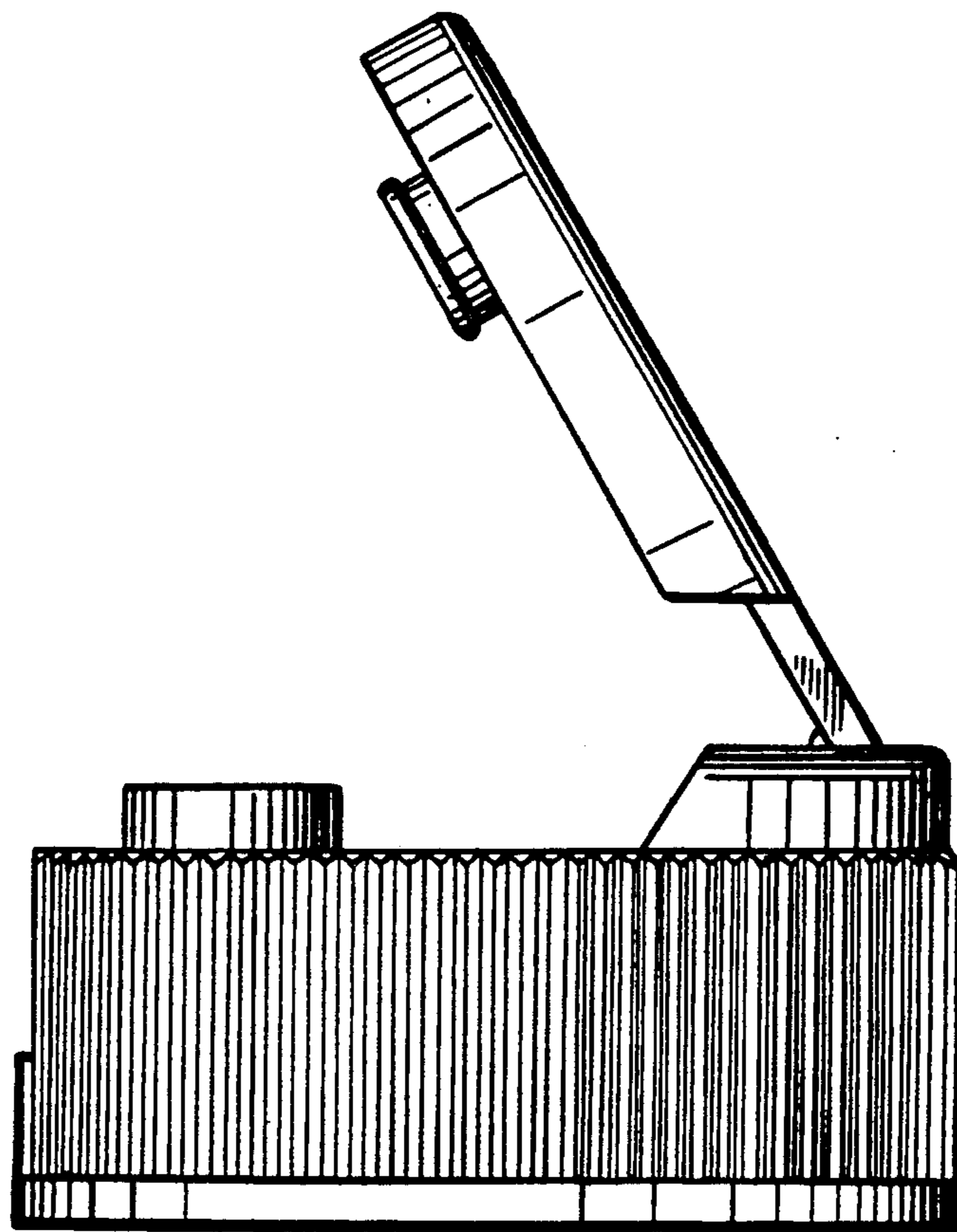


FIG. 7