

[54] NUT SAVER BOX

[76] Inventor: My Phan, R.R. #2, Ilderton, Canada, NOM 2A0

[\*\*] Term: 14 Years

[21] Appl. No.: 429,348

[22] Filed: Oct. 11, 1989

[30] Foreign Application Priority Data

Jun. 28, 1989 [CA] Canada ..... 2806897

[52] U.S. Cl. .... D9/423; D9/446; D9/425

[58] Field of Search ..... D9/424, 425, 423, 432, D9/446; 206/372, 206, 207, 211; 220/375, 376, 377, 380; D3/30.1, 105; 224/404; D12/156, 157; 312/DIG. 33

[56] References Cited

U.S. PATENT DOCUMENTS

D. 297,630 9/1988 Breger ..... D12/157  
2,573,548 10/1951 Cunningham ..... 220/375 X

2,844,275 7/1958 Keller ..... 220/375 X  
2,944,662 7/1960 Colton ..... 206/372  
4,293,074 10/1981 Dunsky ..... 206/373 X  
4,339,056 7/1982 Berkstresser, Jr. et al. .... 220/375  
4,416,372 11/1983 Polk ..... 206/372  
4,550,828 11/1985 Baldwin et al. .... 312/DIG. 33 X  
4,615,442 10/1986 Beeken ..... 220/375 X

Primary Examiner—Bernard Ansher  
Assistant Examiner—Prabhakar Deshmukh  
Attorney, Agent, or Firm—Mitches & Co.

[57] CLAIM

The ornamental design for a nut saver box, as shown and described.

DESCRIPTION

FIG. 1 is a perspective view of a nut saver box showing my new design;  
FIG. 2 is a top plan view thereof;  
FIG. 3 is a bottom plan view thereof;  
FIG. 4 is a right side elevation view thereof;  
FIG. 5 is a front elevation thereof; and  
FIG. 6 is a perspective view thereof, in open position.

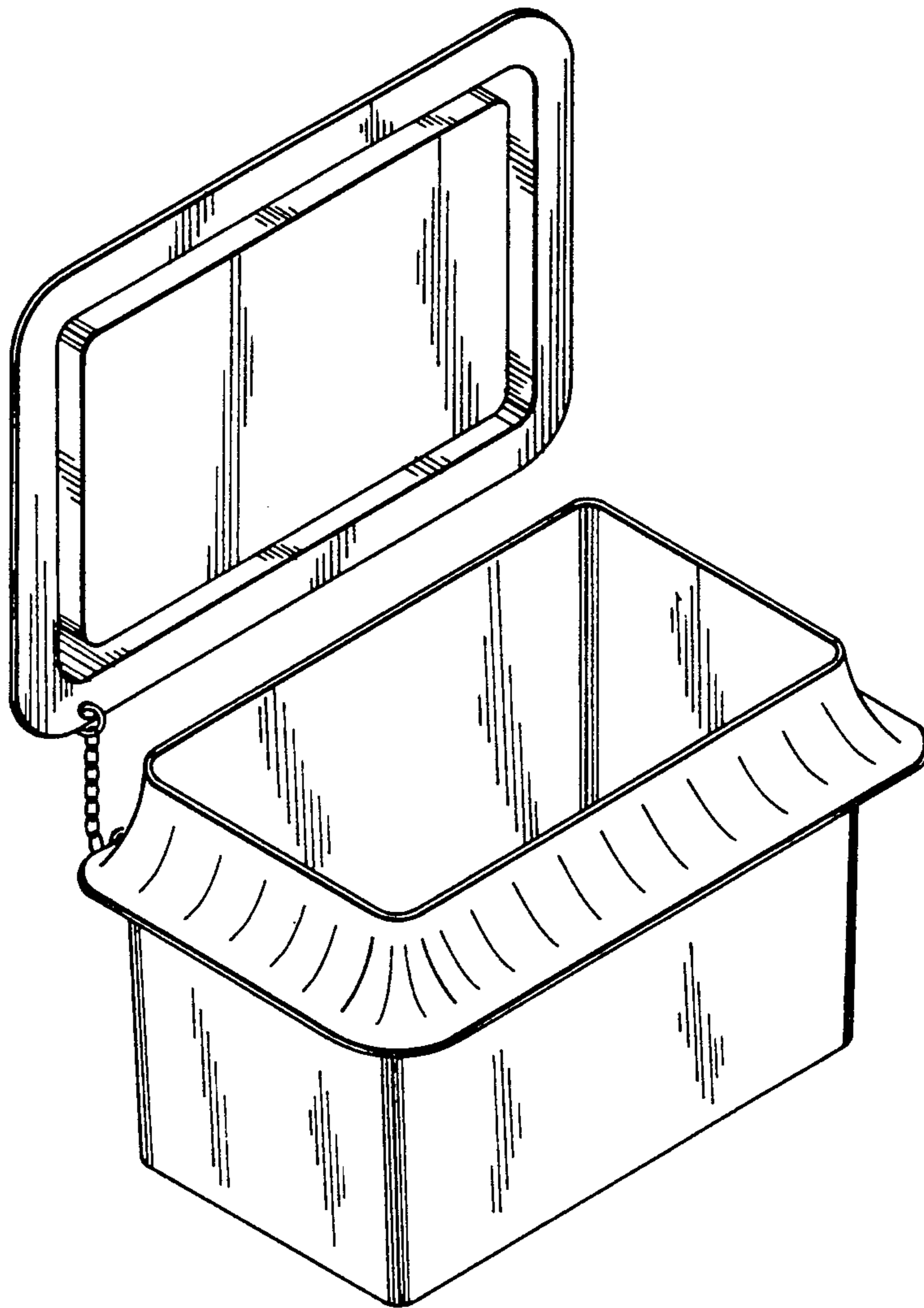


FIG. 1

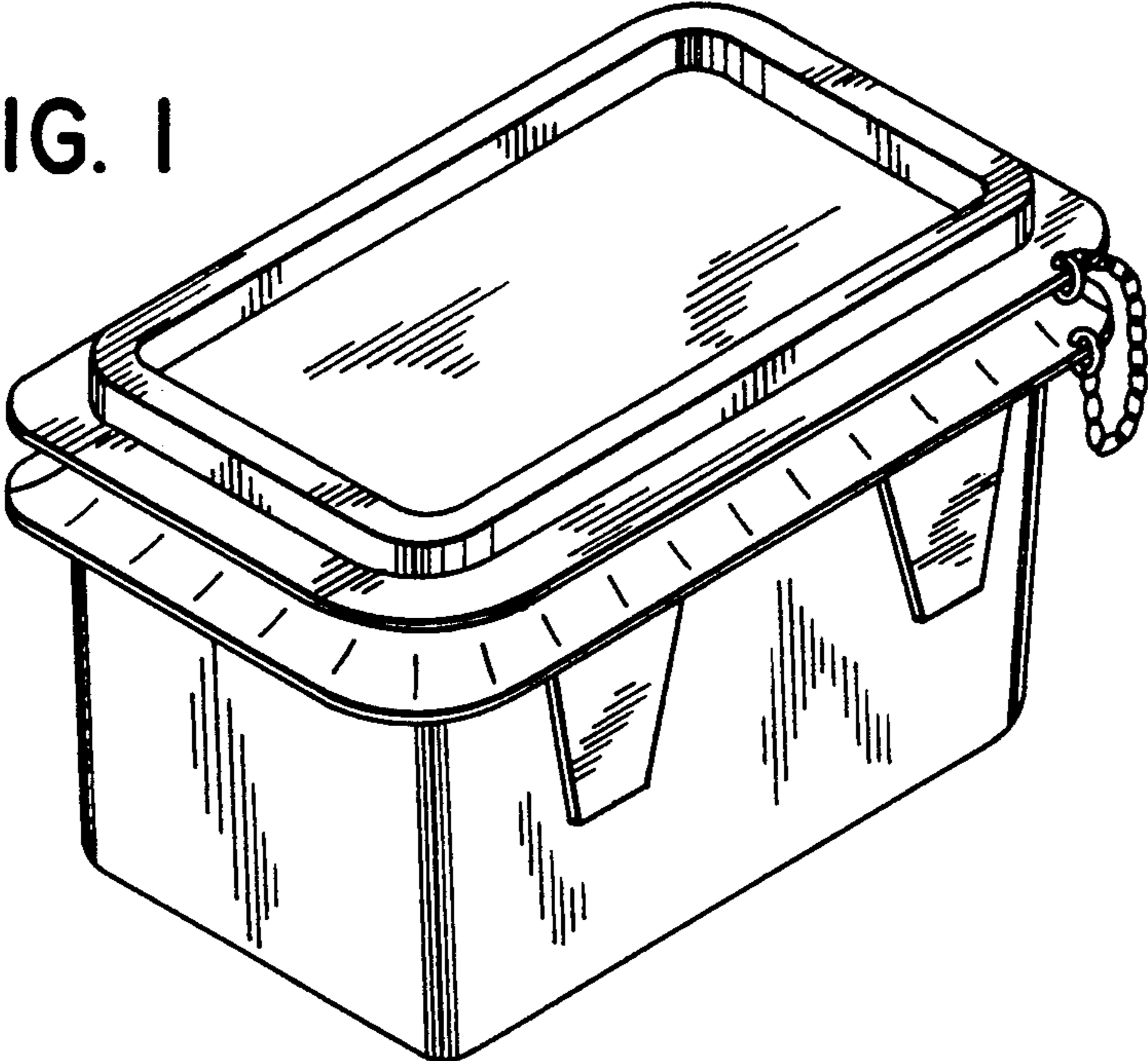


FIG. 6

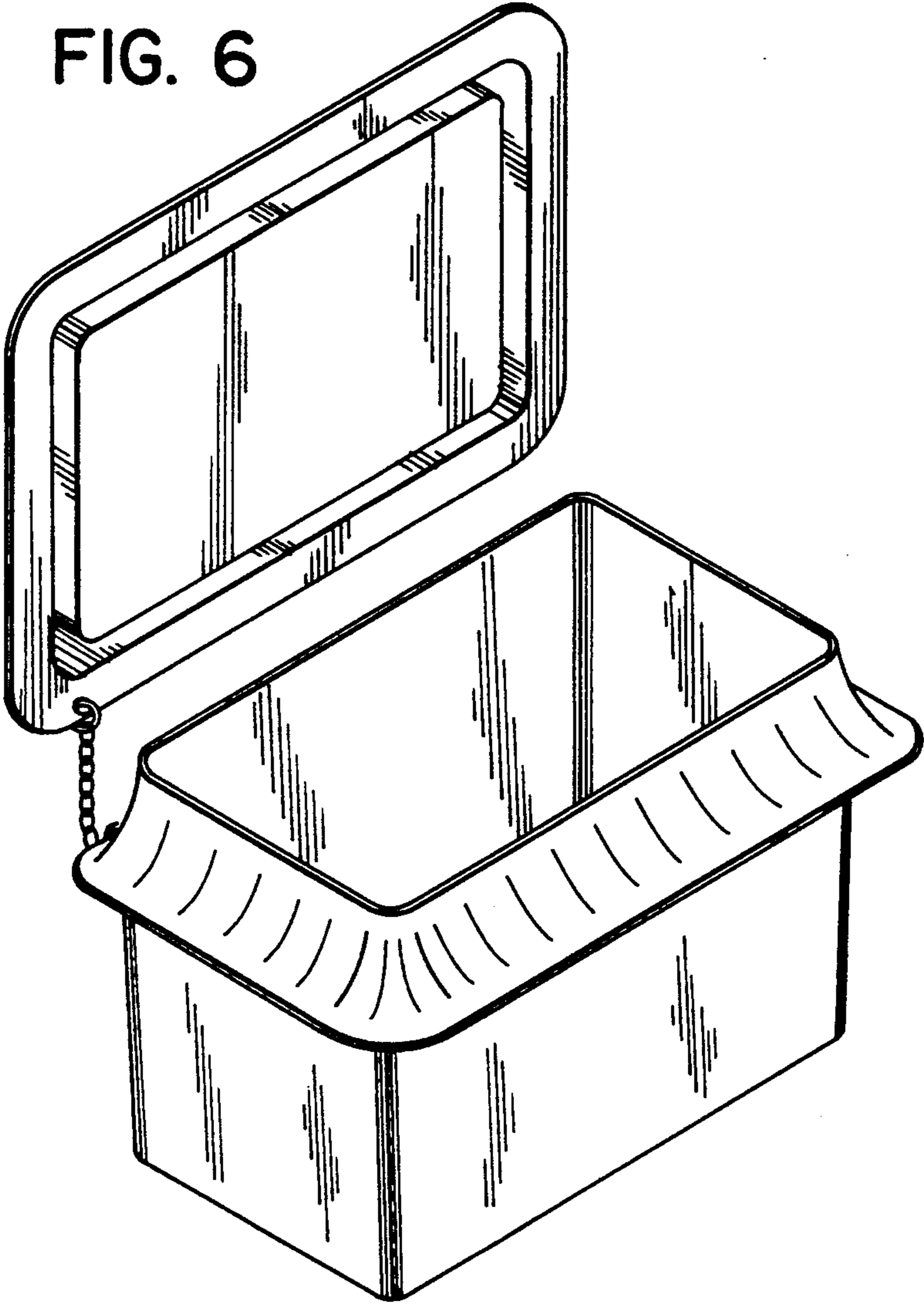




FIG. 2

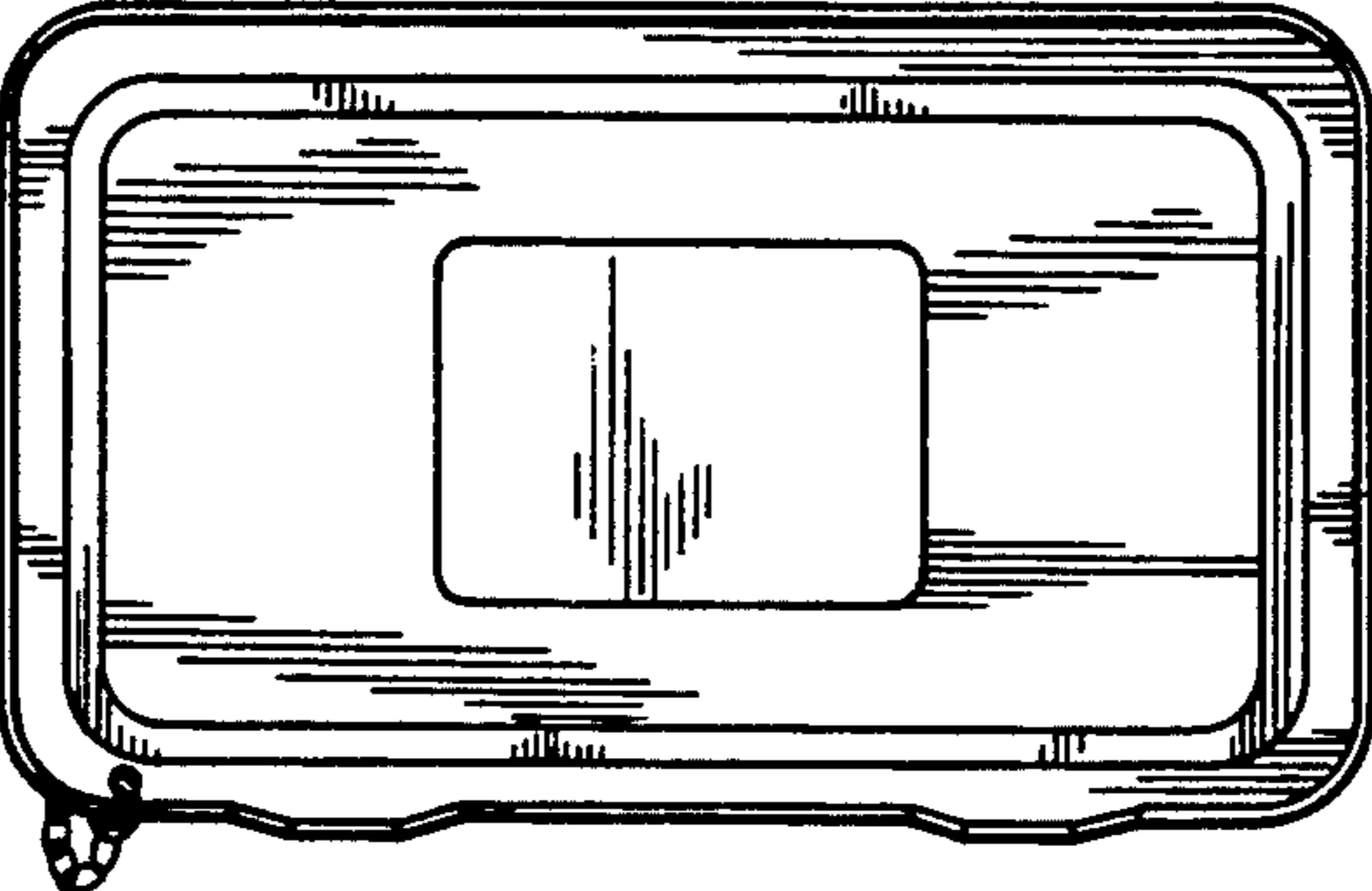


FIG. 3

FIG. 4

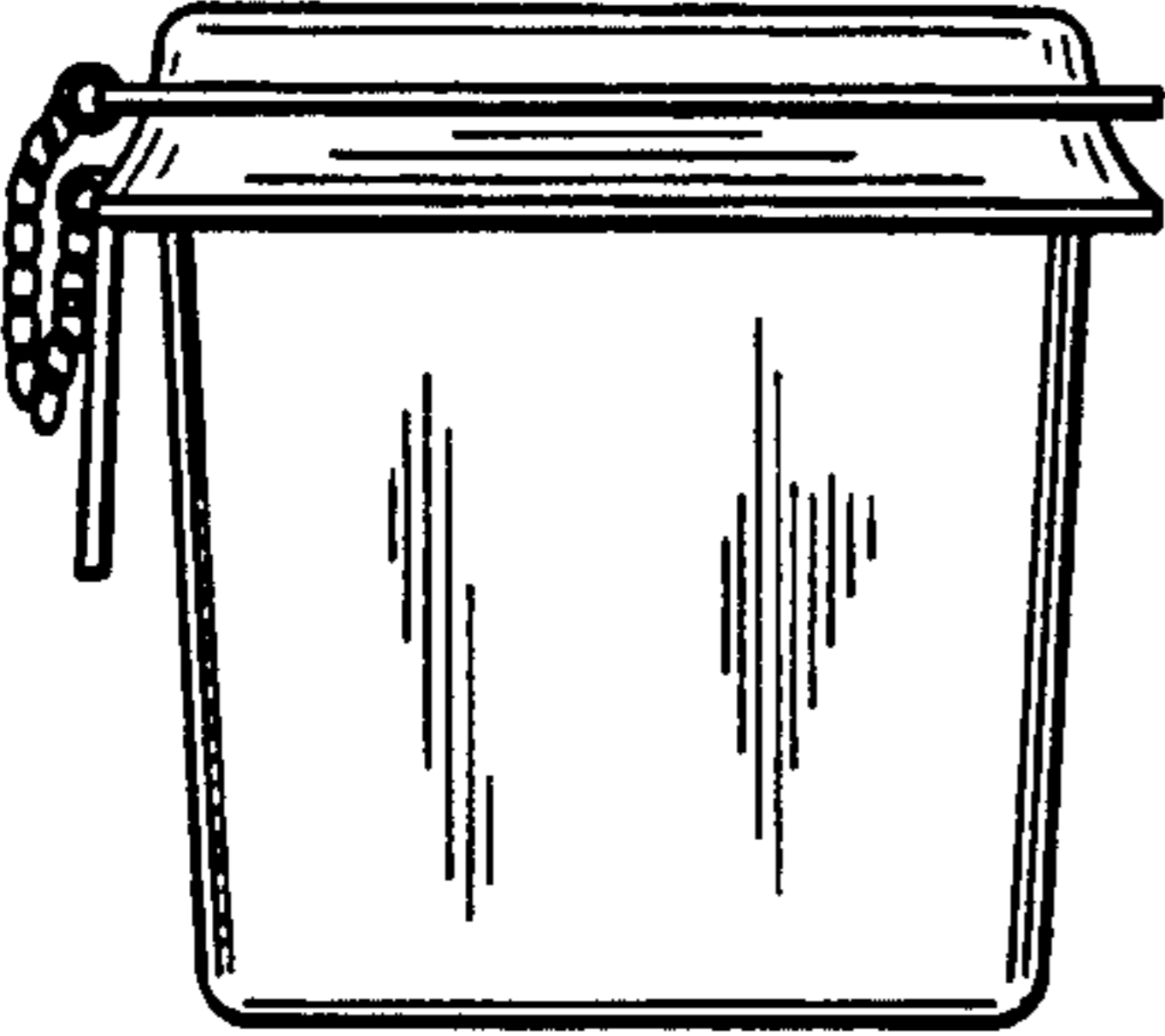


FIG. 5

