

[54] TRAY FOR CHEMICAL CONTAINERS

[75] Inventors: Zencho Kanda, Yamanashi; Shinzo Honda, Ichikawa; Kazunori Hirose, Yamanashi, all of Japan

[73] Assignee: Terumo Kabushiki Kaisha, Tokyo, Japan

[\*\*] Term: 14 Years

[21] Appl. No.: 455,746

[22] Filed: Dec. 22, 1989

[30] Foreign Application Priority Data

Jul. 3, 1989 [JP] Japan ..... 1-24297  
Jul. 3, 1989 [JP] Japan ..... 1-24298

[52] U.S. Cl. .... D9/341

[58] Field of Search ..... D9/341-347, D9/424, 425, 337; 206/352, 354, 349, 569, 570, 571, 572, 228, 229, 225, 558, 557, 561, 564, 562, 443

[56] References Cited

U.S. PATENT DOCUMENTS

D. 226,553 3/1973 Glaberson ..... D7/340  
3,032,186 5/1962 Jenkins ..... 206/562 X  
3,708,084 1/1973 Bixler et al. .... 206/443 X  
4,195,734 4/1980 Boner et al. .... 206/562 X  
4,415,086 11/1983 Bennett, Jr. .... 206/564  
4,478,337 10/1984 Flum ..... 206/564 X  
4,572,371 2/1986 Asenbauer ..... 206/564 X

Primary Examiner—Bernard Ansher  
Assistant Examiner—Prabhakar Deshmukh

Attorney, Agent, or Firm—Frishauf, Holtz, Goodman & Woodward

[57] CLAIM

The ornamental design for tray for chemical containers, as shown and described.

DESCRIPTION

FIG. 1 is a perspective view of a tray for chemical containers showing our new design; FIG. 2 is a front elevation thereof; FIG. 3 is a rear elevation thereof; FIG. 4 is a top plan view thereof; FIG. 5 is a bottom plan view thereof; FIG. 6 is a right side elevation thereof; the left side elevation being a mirror image thereof; FIG. 7 is a sectional elevation taken along line VII—VII of FIG. 4; FIG. 8 is a sectional elevation taken along line VIII—VIII of FIG. 4; FIG. 9 is a sectional elevation taken along line IX—IX of FIG. 4; FIG. 10 is a perspective view of a modified form of FIG. 1; FIG. 11 is a front elevation of FIG. 10; FIG. 12 is a rear elevation of FIG. 10; FIG. 13 is a top plan view of FIG. 10; FIG. 14 is a bottom plan view of FIG. 10; FIG. 15 is a right side elevation of FIG. 10; FIG. 16 is a sectional elevation taken along line XVI—XVI of FIG. 13; FIG. 17 is a sectional elevation taken along line XVII—XVII of FIG. 13; and FIG. 18 is a sectional elevation taken along line XVIII—XVIII of FIG. 13.

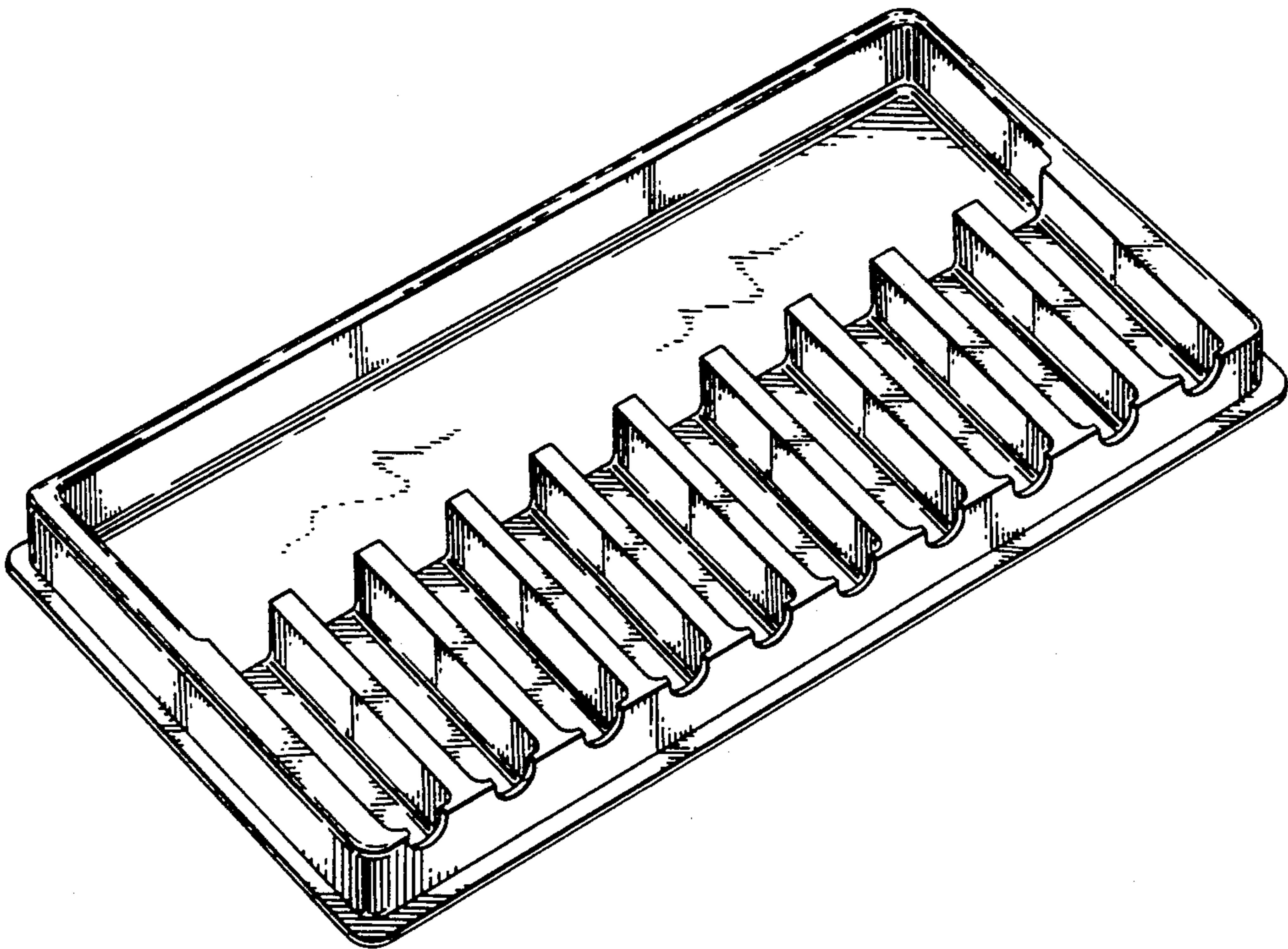


FIG. 1

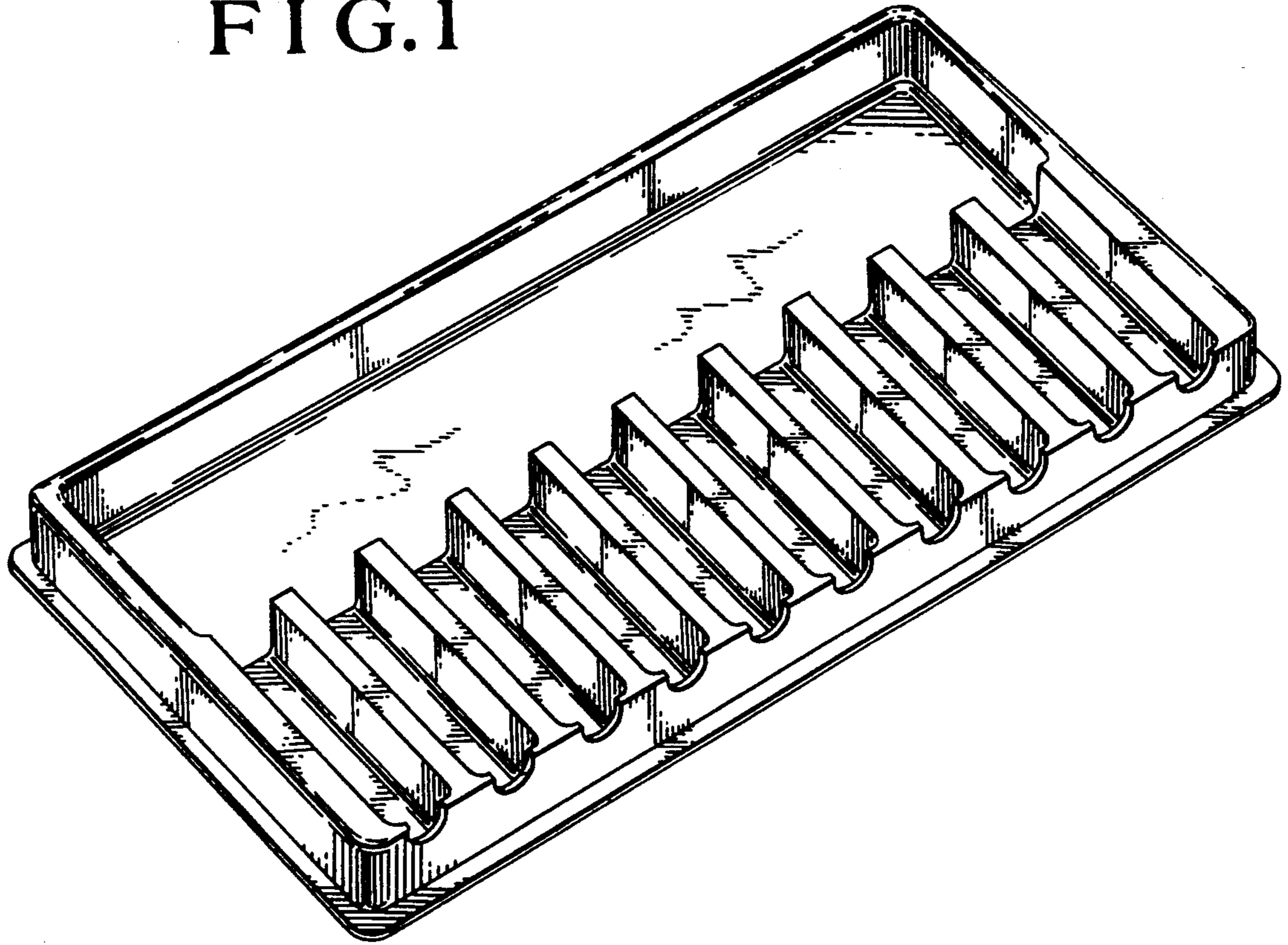


FIG. 2

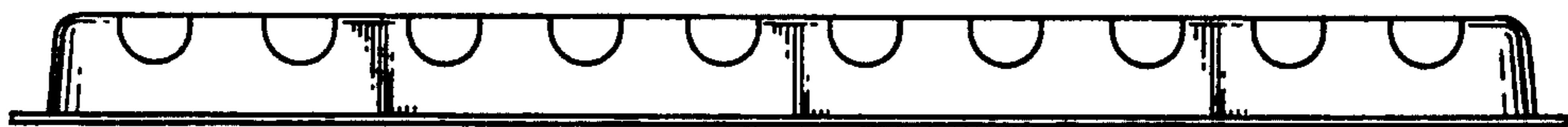


FIG. 3



FIG.4

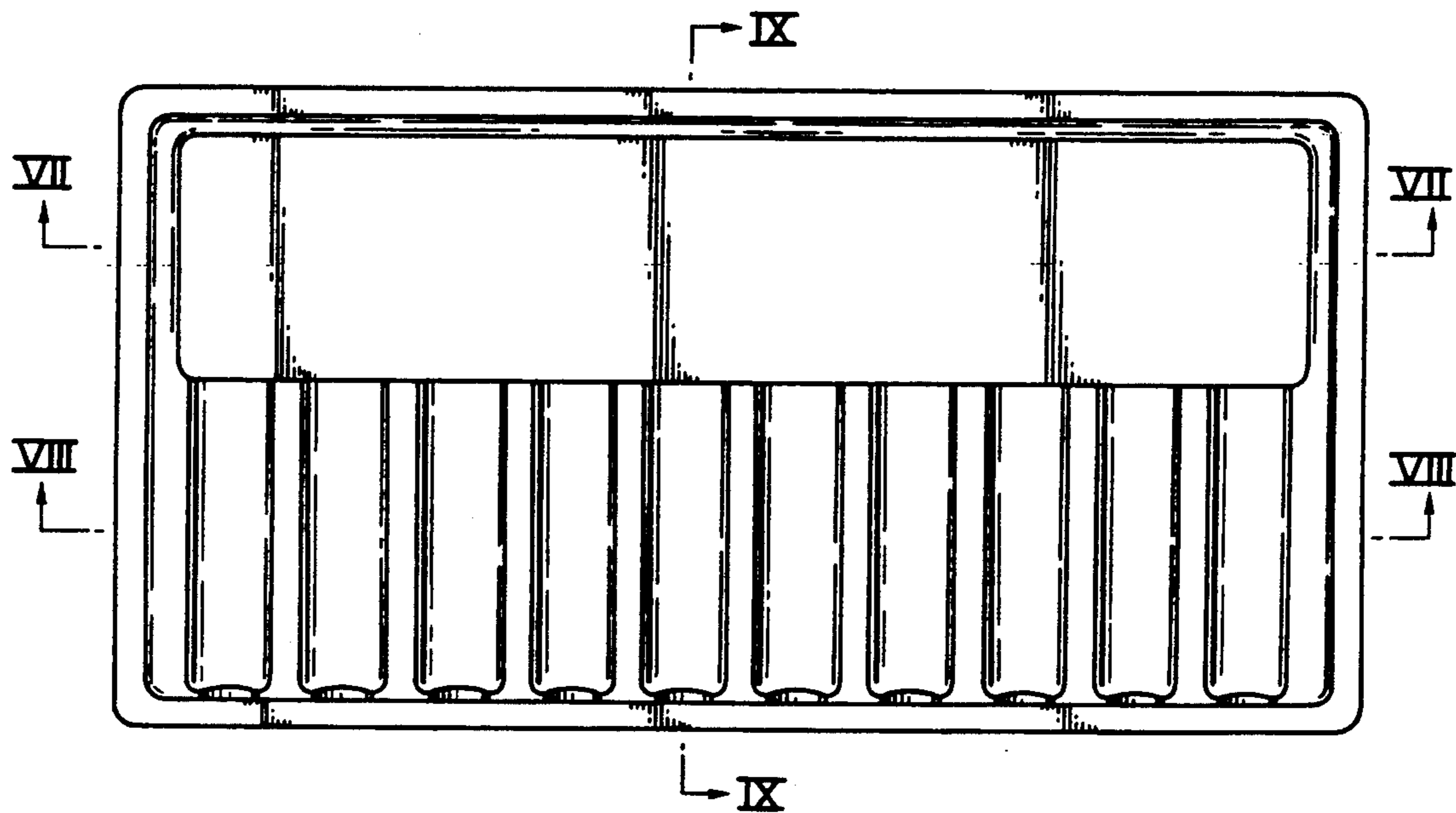


FIG.5

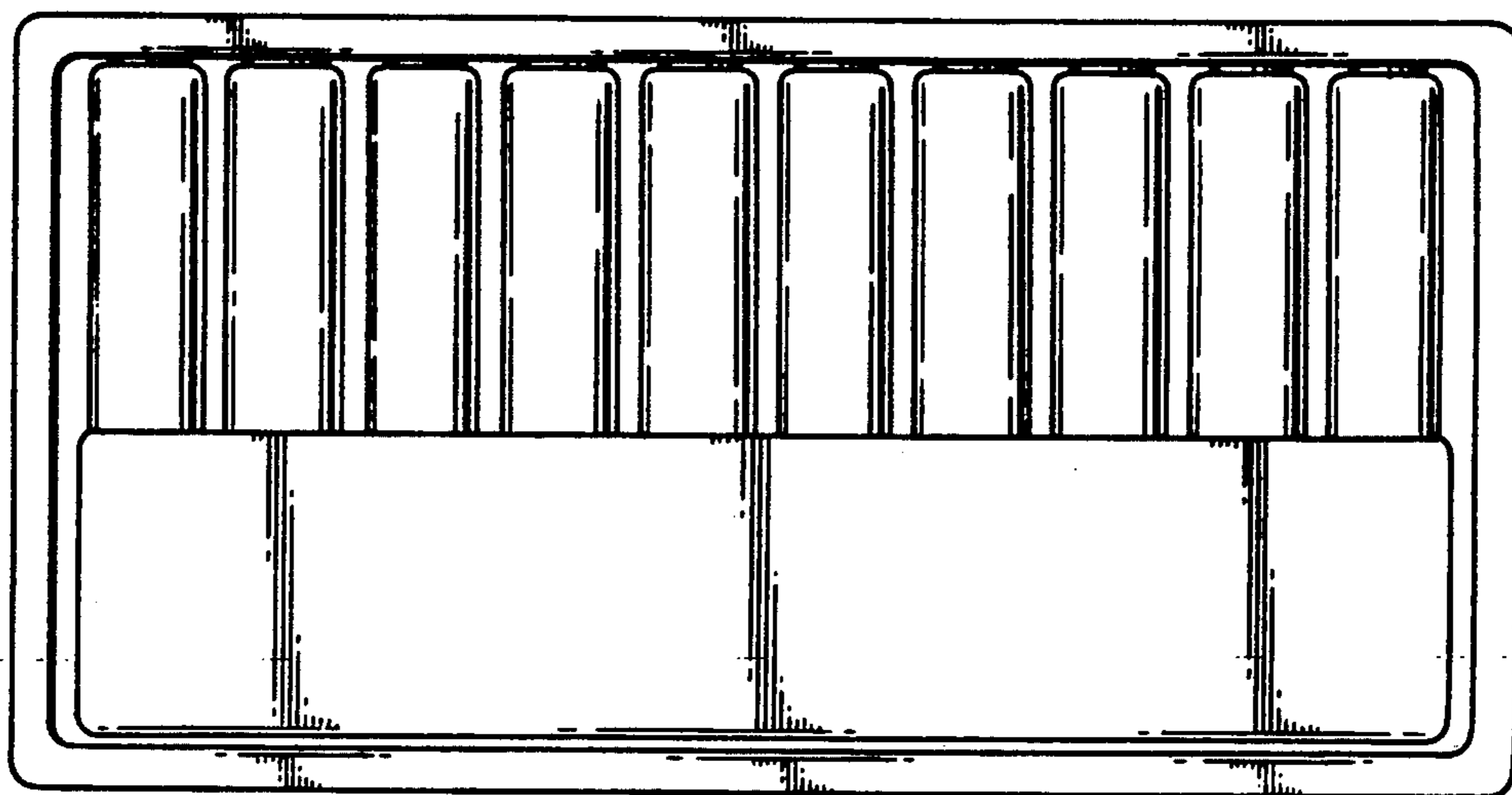


FIG.6

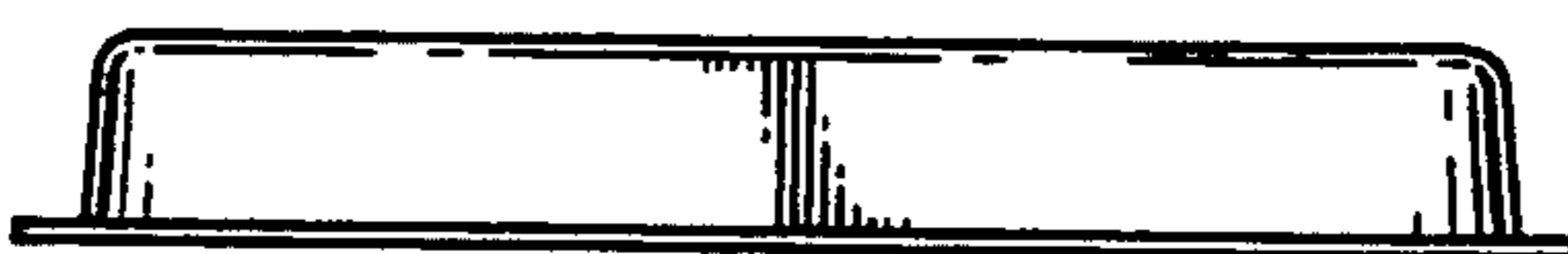


FIG.7



FIG.8



FIG.9



FIG.10

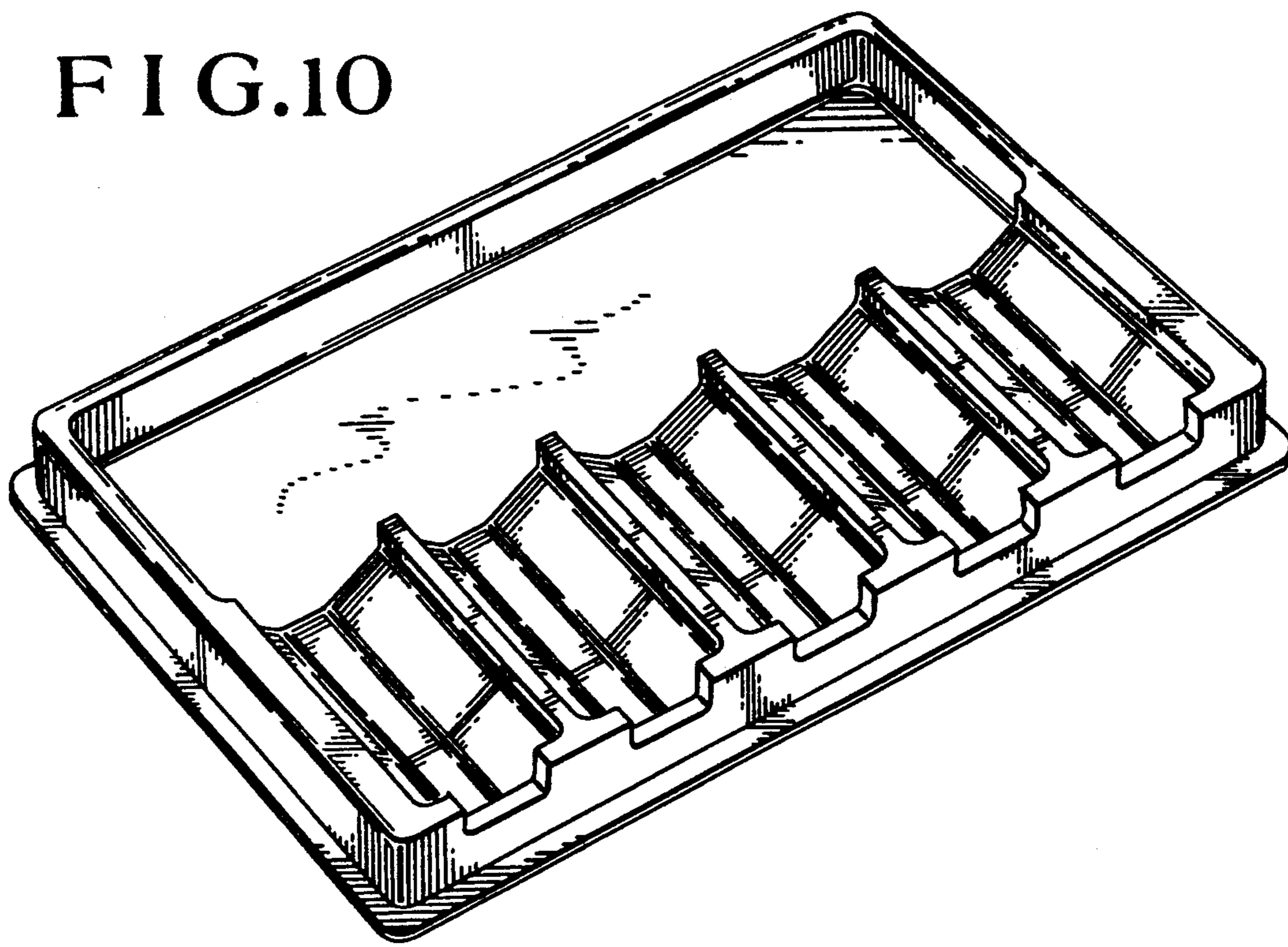


FIG.11



FIG.12



FIG.13

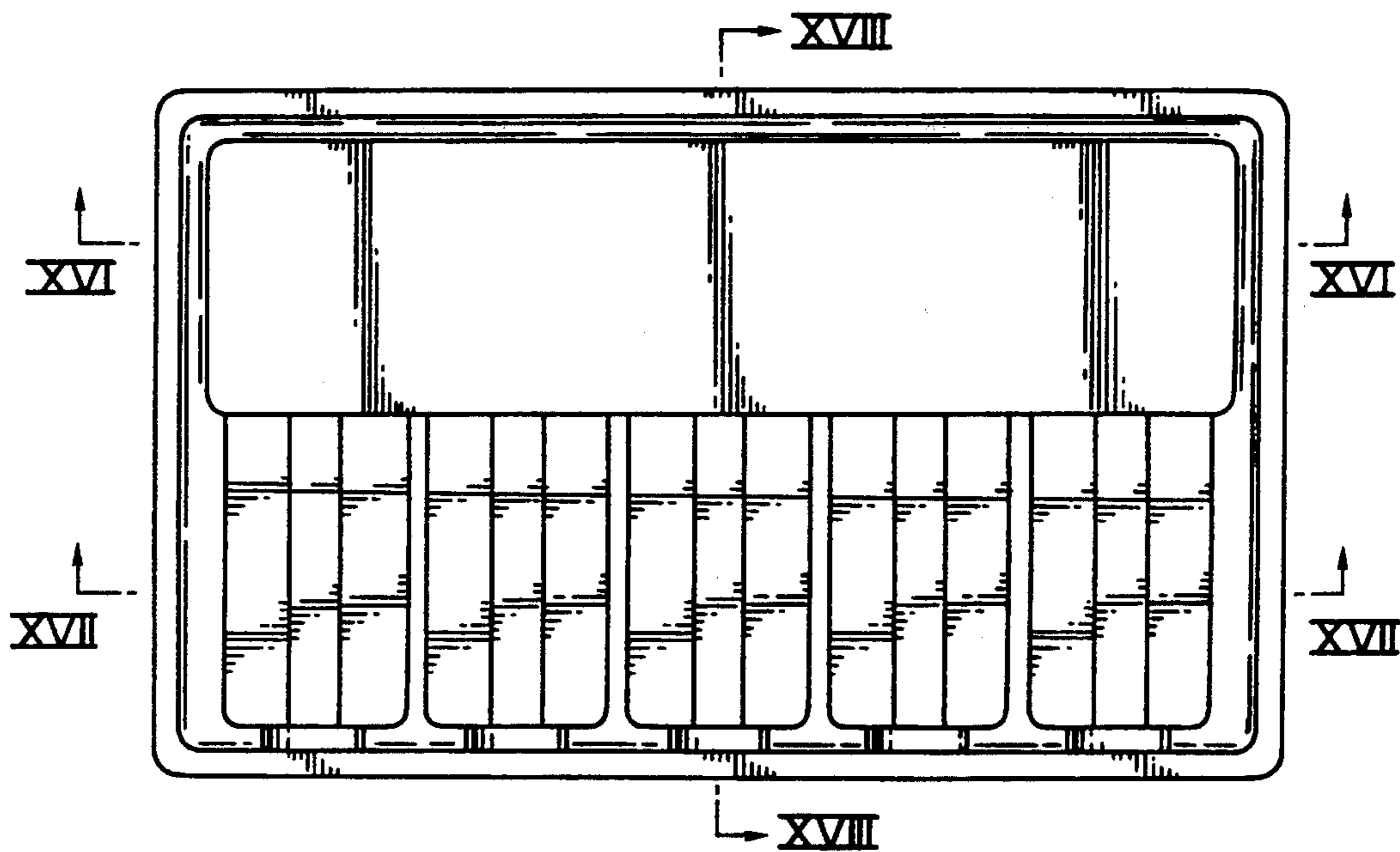


FIG.14

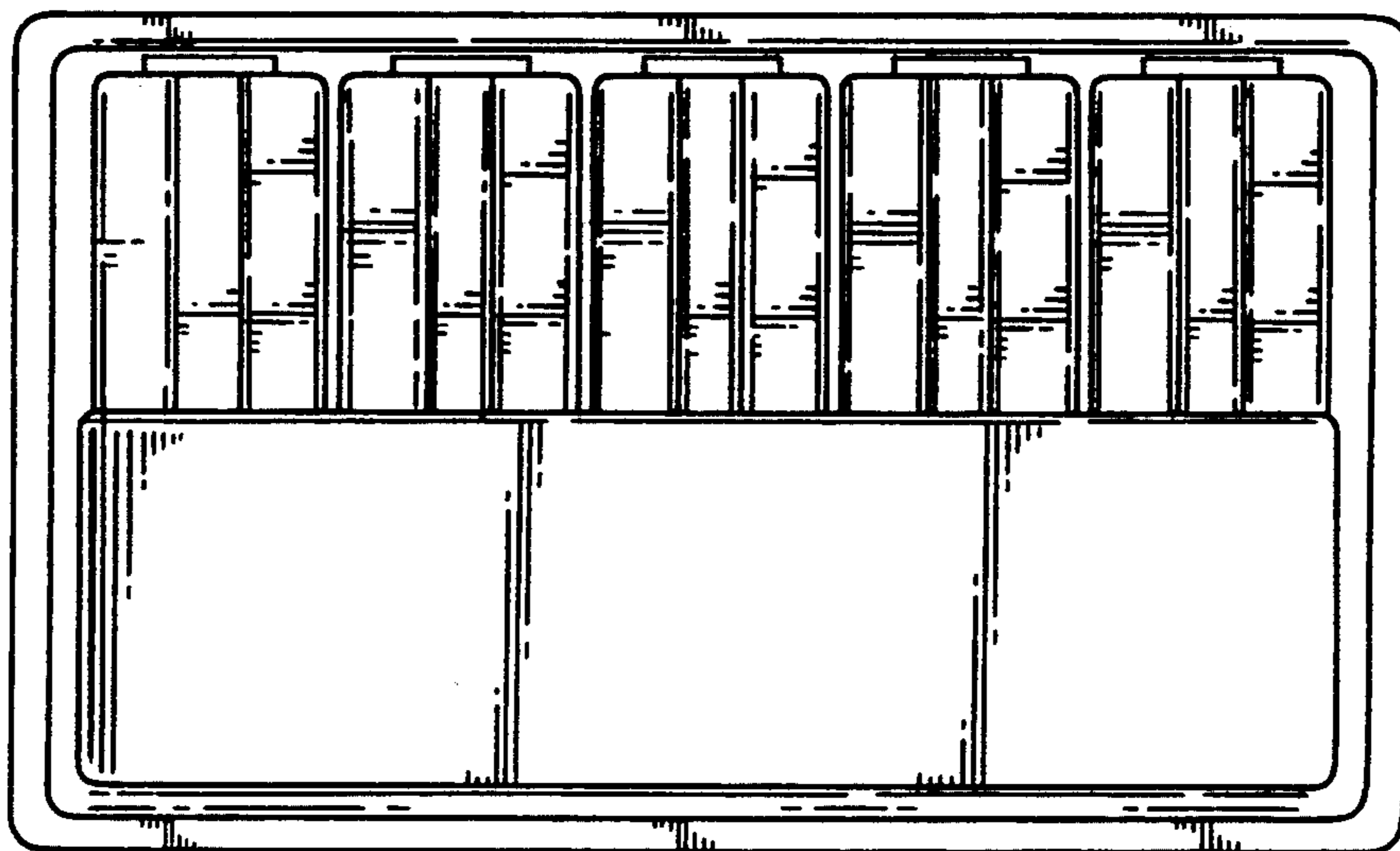


FIG.15



FIG.16



FIG.17



FIG.18



UNITED STATES PATENT AND TRADEMARK OFFICE  
**CERTIFICATE OF CORRECTION**

PATENT NO. : DES.320,738  
DATED : October 15, 1991  
INVENTOR(S) : KANDA et al

It is certified that error appears in the above-identified patent and that said Letters Patent is hereby corrected as shown below:

**TITLE PAGE:**

Section [75] Inventors, change the name of the first inventor to read --Zensho KANDA--.

Section [56] References Cited, change the classification of U.S. Patent D.226,553 (Glaberson), to read --D9/340--.

Signed and Sealed this  
Fourth Day of May, 1993

Attest:



MICHAEL K. KIRK

Attesting Officer

Acting Commissioner of Patents and Trademarks