

- [54] DISPENSING CONTAINER
- [75] Inventor: Edwin R. Pettengill, Stratford, Conn.
- [73] Assignee: Chesebrough-Pond's Inc.,
Greenwich, Conn.
- [**] Term: 14 Years
- [21] Appl. No.: 354,366
- [22] Filed: May 23, 1989

Related U.S. Application Data

- [63] Continuation-in-part of Ser. No. 280,739, Dec. 6, 1988,
Pat. No. D. 315,496.
- [52] U.S. Cl. D9/373; D9/300;
D9/367; D9/403
- [58] Field of Search D9/300, 373, 367, 374,
D9/403-413, 446; D6/542-545; 222/136, 137,
145, 386, 387; 215/1 R, 1 C

[56] **References Cited**

U.S. PATENT DOCUMENTS

D. 225,718	1/1973	Gorman	D9/300
D. 277,073	1/1985	Czech	D9/300
D. 306,554	3/1990	Lawson	D9/300
D. 307,113	4/1990	Thompson	D9/373
D. 311,861	11/1990	Vanhoutte	D9/300
D. 313,181	12/1990	Pettengill	D9/300 X
2,166,307	7/1939	Libby	.	
2,661,871	12/1953	Huenergardt	.	
2,789,731	4/1957	Marraffino	.	
2,925,938	2/1960	Parsons	.	
2,959,327	11/1960	Bloom	.	
2,973,883	3/1961	Modderno	.	
3,105,615	10/1963	Koga	.	
3,197,071	7/1965	Kuster	.	
3,236,418	2/1966	Dalle et al.	222/145 X
3,455,489	7/1969	Meshberg	.	
3,503,539	3/1970	O'Donnell	.	
3,508,682	4/1970	Hollis et al.	.	
3,525,997	8/1970	O'Donnell	.	
3,532,254	10/1970	Burke et al.	.	
3,540,623	11/1970	Wittke et al.	.	
3,599,838	8/1971	LaVange	.	
3,613,956	10/1971	McCulloch	.	

3,672,544	6/1972	Marand	.
3,710,984	1/1973	Webster	.
3,731,848	5/1973	Nakanishi	.
3,735,900	5/1973	Gores	.
3,767,078	10/1973	Gortz et al.	.
3,799,398	3/1974	Morane et al.	.
3,814,287	6/1974	Darbon et al.	.
3,850,346	11/1974	Richardson et al.	.
3,885,710	5/1975	Cohen	.
3,964,643	6/1976	Morane et al.	.
4,014,463	3/1977	Hermann	.
4,046,288	9/1977	Bergman	.
4,062,475	12/1977	Harris et al.	.
4,062,477	12/1977	Morane	.
4,073,406	2/1978	Goncalves	.
4,159,066	6/1979	Silver	.
4,261,481	4/1981	Speer	.
4,457,454	7/1984	Meshberg	.
4,461,403	7/1984	Prahs	.
4,463,875	8/1984	Tepic	.
4,528,180	7/1985	Schaeffer	.
4,742,940	5/1988	Wilkinson	.
4,747,517	5/1988	Hart	.

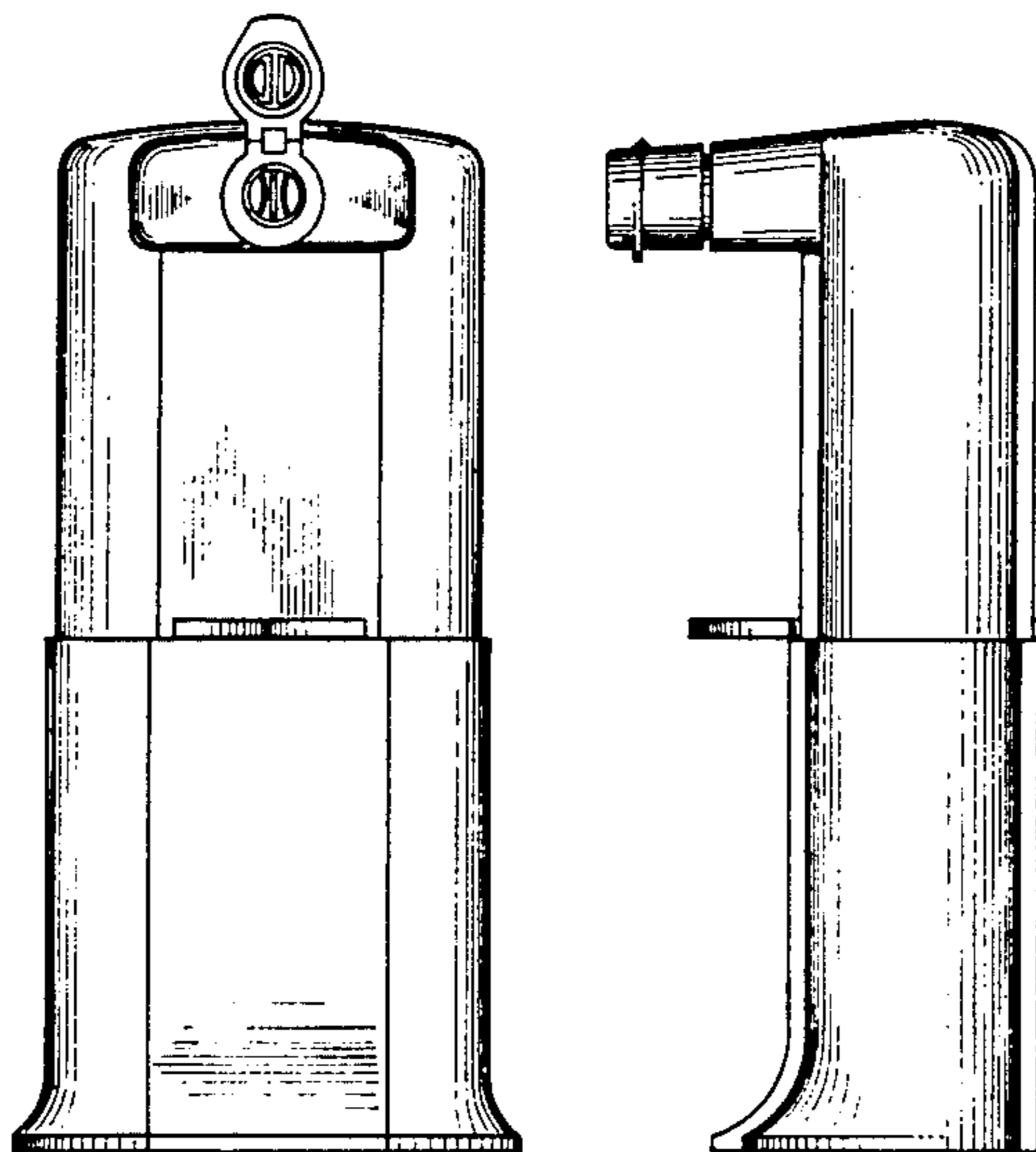
Primary Examiner—Melvin B. Feifer
Assistant Examiner—Lucy Lieberman
Attorney, Agent, or Firm—Brumbaugh, Graves,
 Donohue & Raymond

[57] **CLAIM**

The ornamental design for a dispensing container, as shown and described.

DESCRIPTION

FIG. 1 is a perspective view of a dispensing container showing my new design;
 FIG. 2 is a top plan view thereof;
 FIG. 3 is a front elevation thereof;
 FIG. 4 is a right side elevation thereof, the left side elevation being a mirror image thereof;
 FIG. 5 is a rear elevation thereof; and
 FIG. 6 is a front elevation of the dispensing container shown in a compressed position.
 The bottom of the dispensing container is unornamented. The cap is shown in the open and closed position in various views for illustrative purposes.



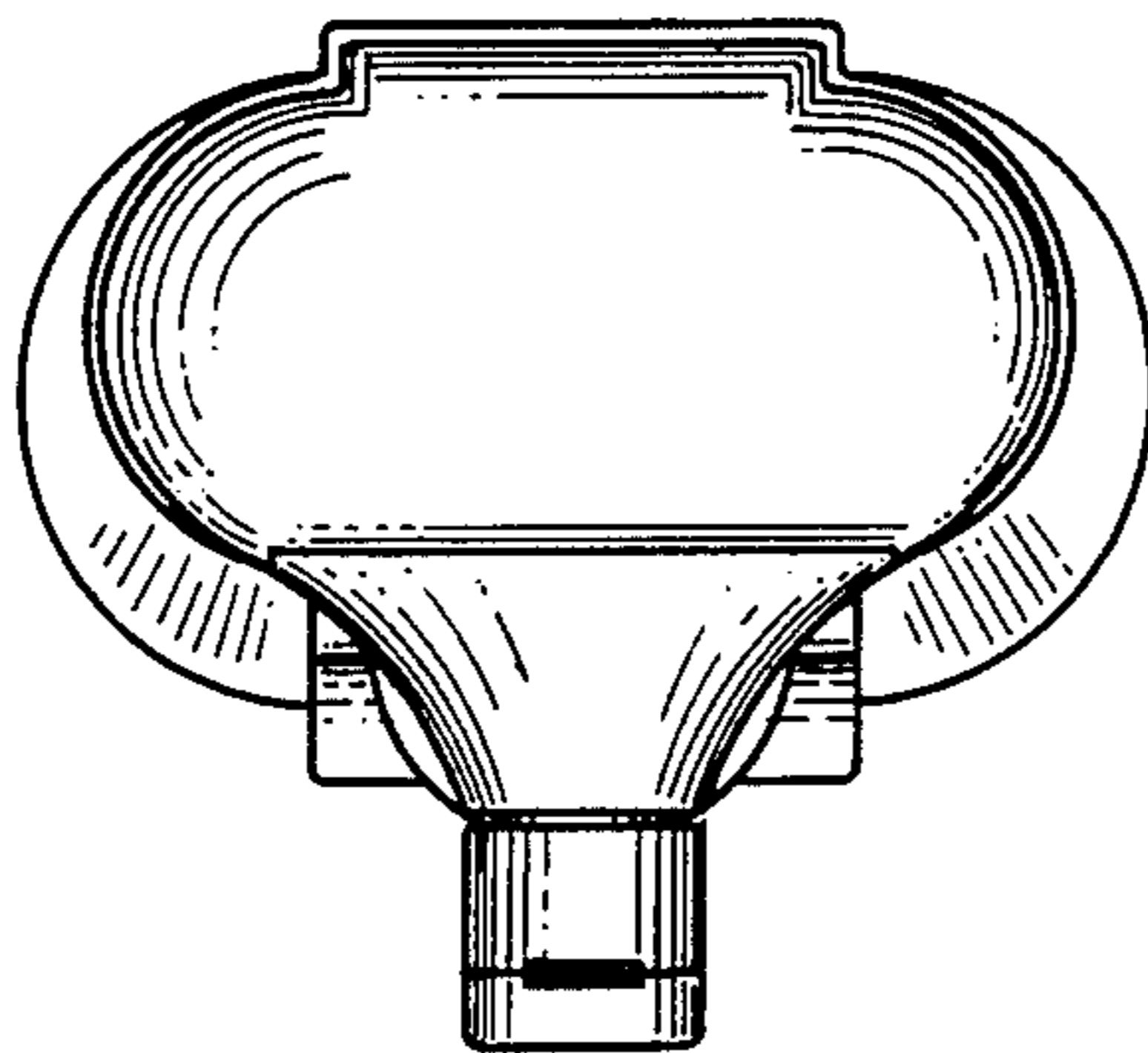


FIG. 2

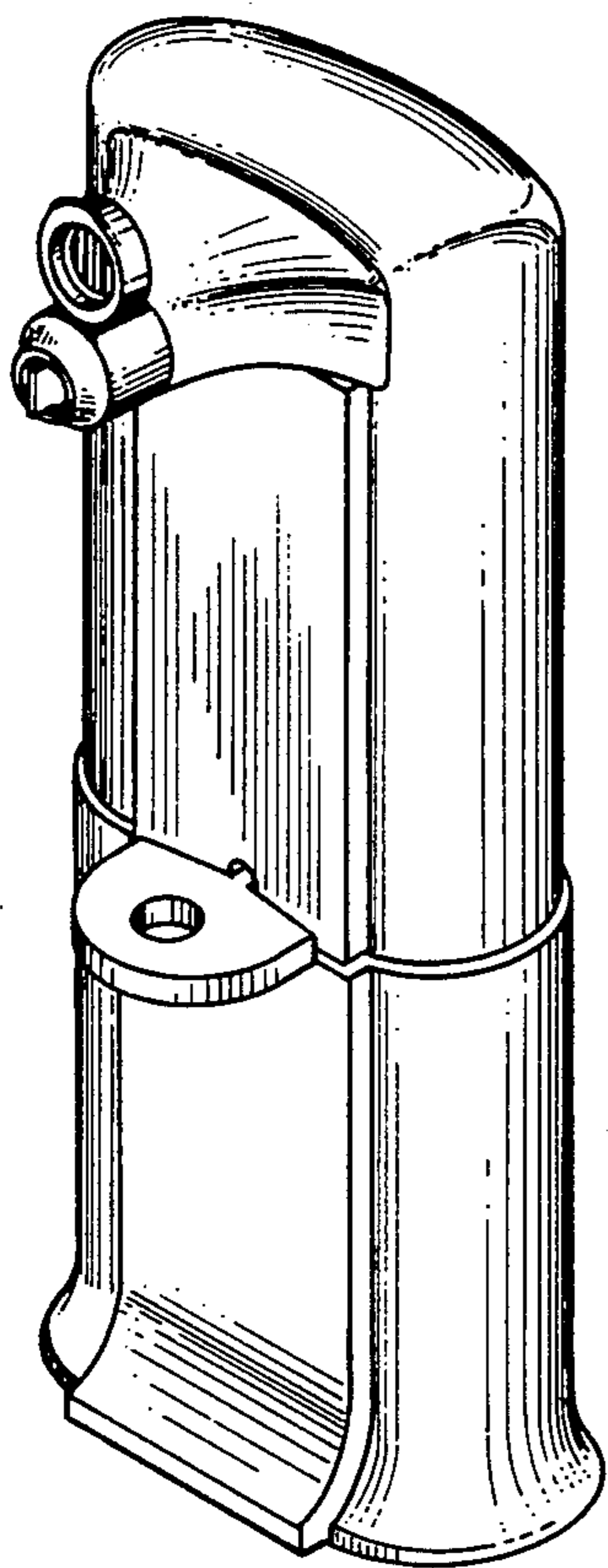


FIG. 1

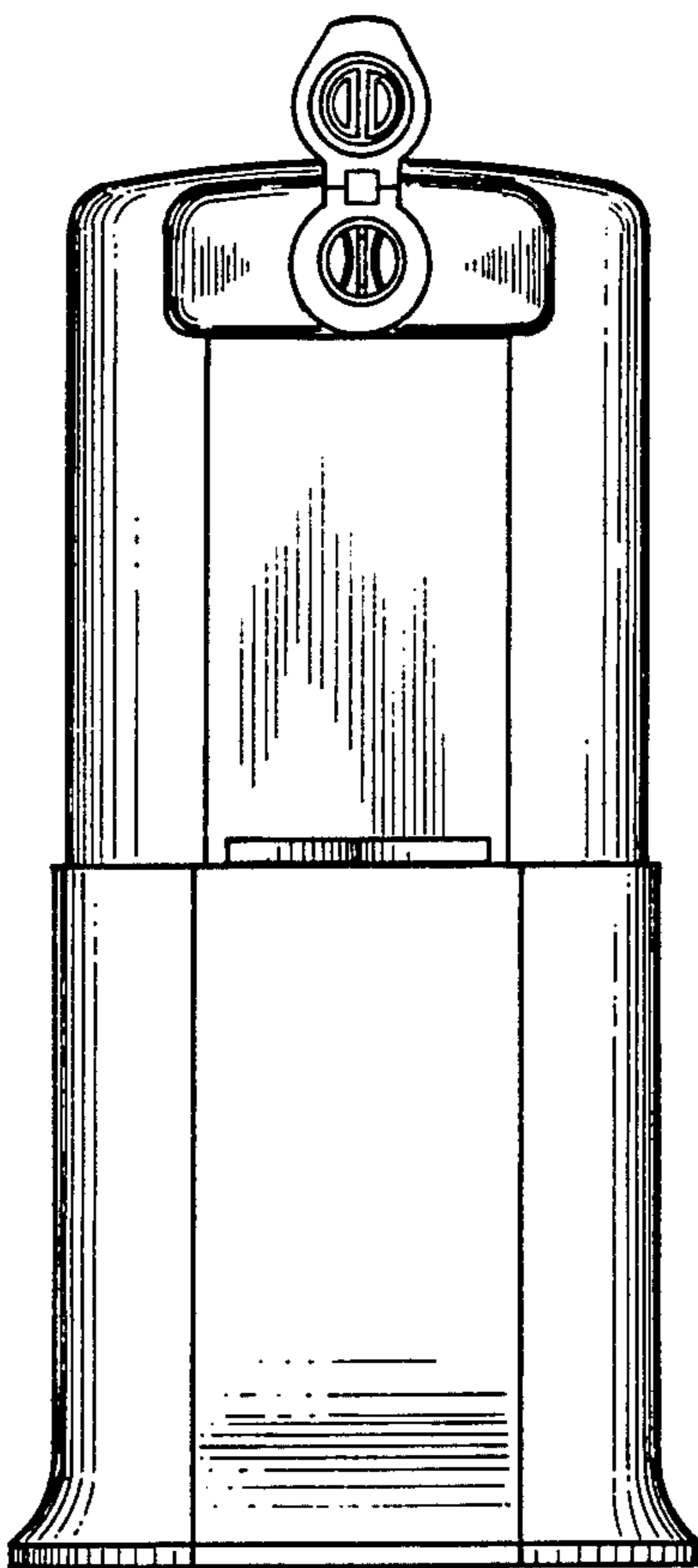


FIG. 3

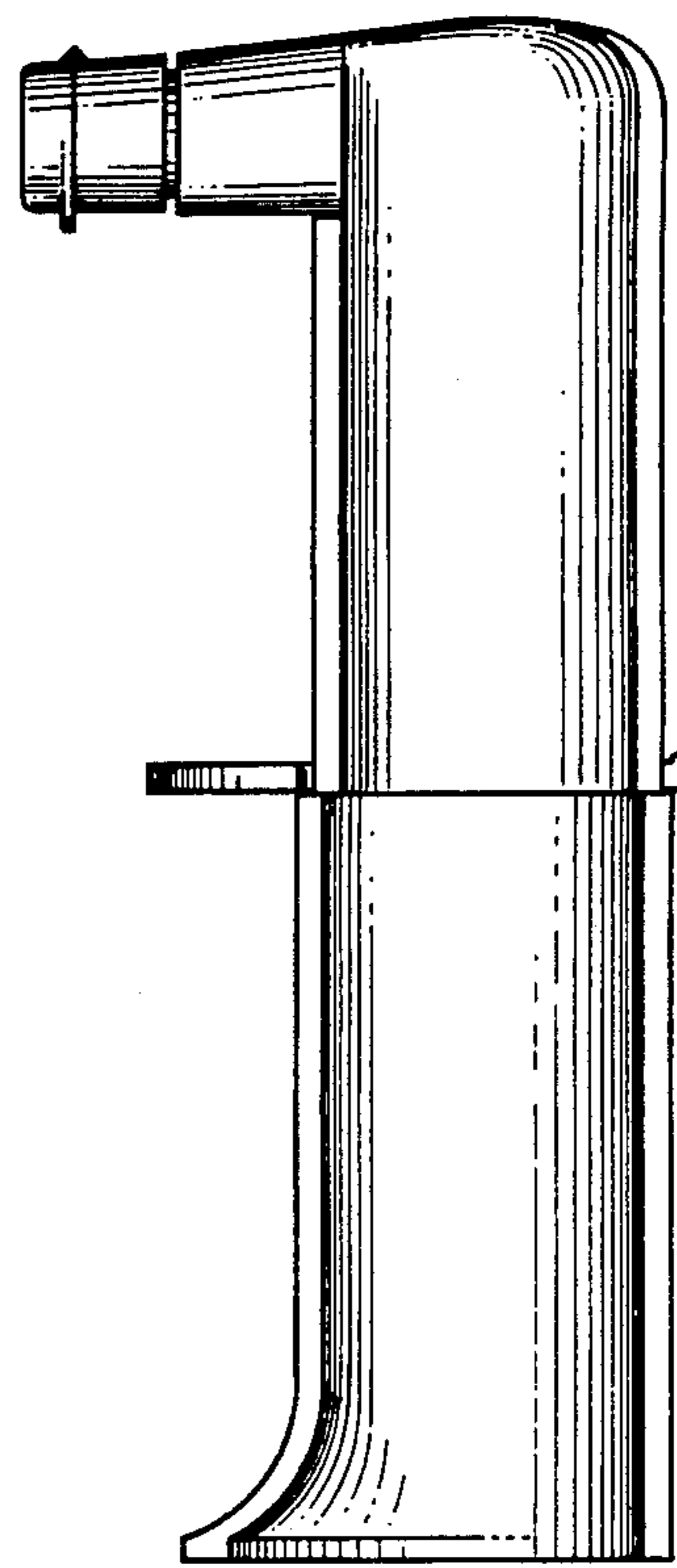


FIG. 4

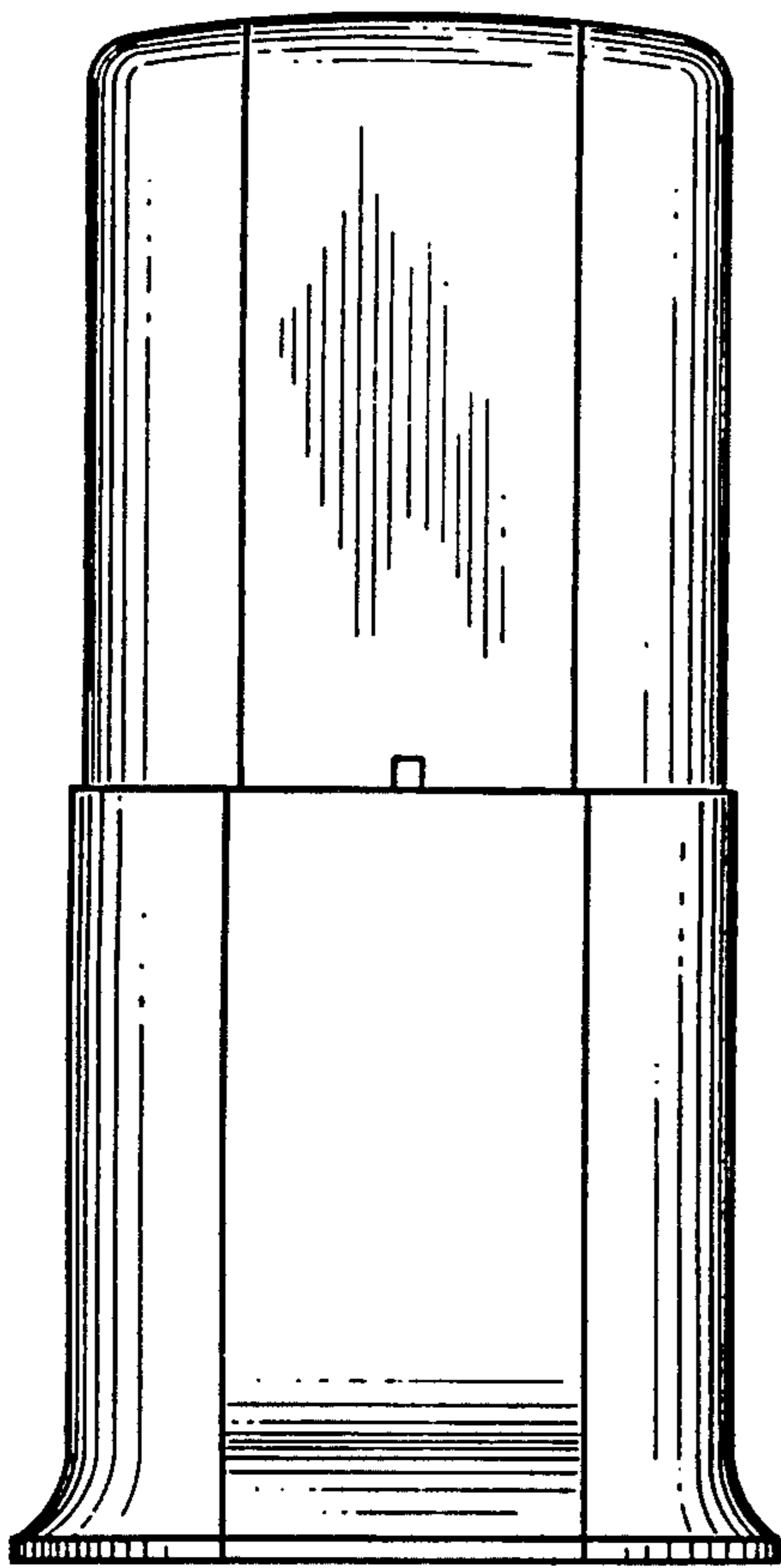


FIG. 5

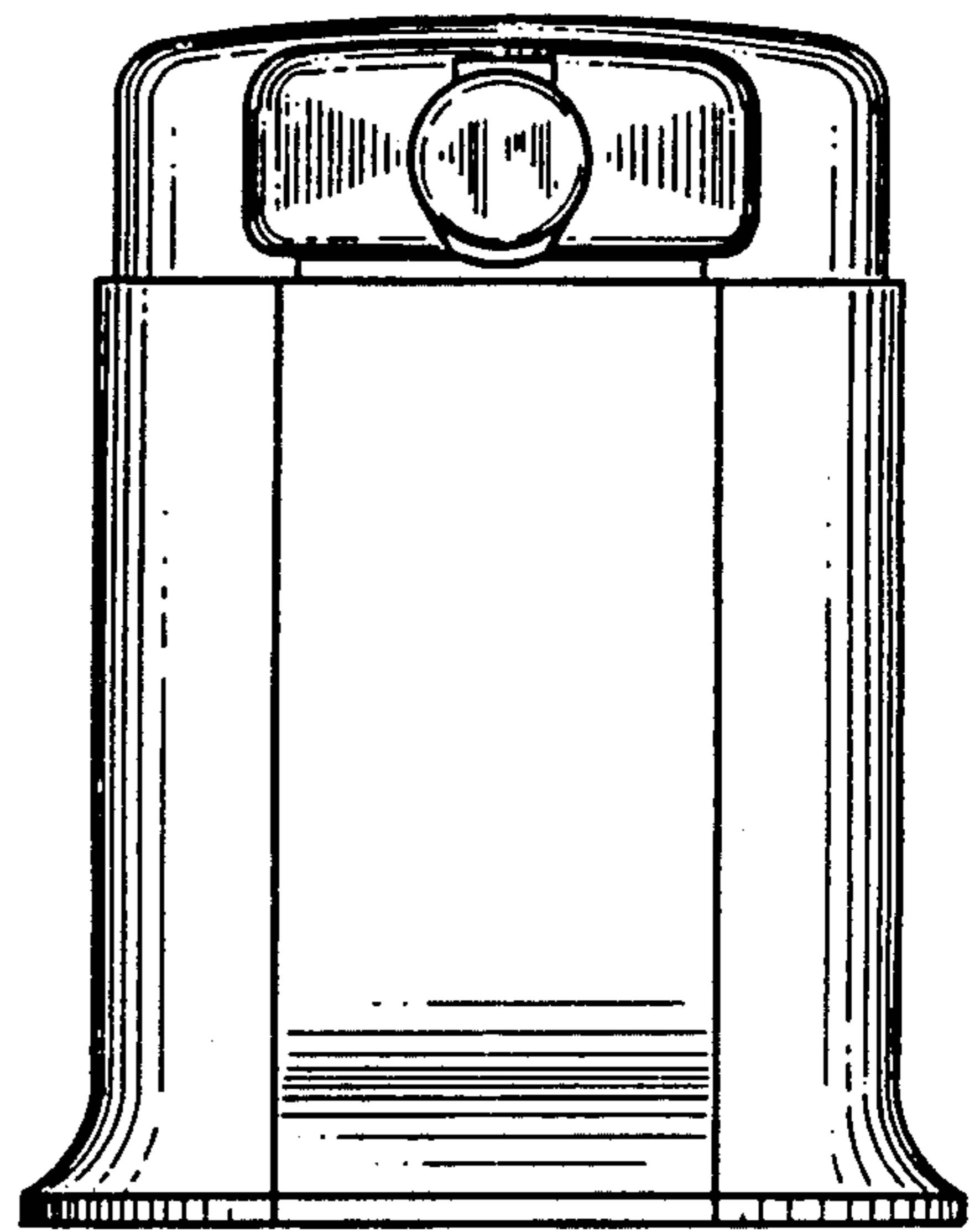


FIG. 6