

[54] APPLIANCE HANDLE

[75] Inventors: Anthony Pink, Shakopee; Randall Beihoffer, Bloomington, both of Minn.

[73] Assignee: The Toro Company, Minneapolis, Minn.

[**] Term: 14 Years

[21] Appl. No.: 294,137

[22] Filed: Jan. 6, 1989

[52] U.S. Cl. D8/107

[58] Field of Search D8/107, 14, 32, 98, D8/DIG. 1, 306, 317, 10; 294/171, 71, 57

[56] References Cited

U.S. PATENT DOCUMENTS

1,511,040	10/1924	Ramsey	56/DIG. 4 X
3,568,421	3/1971	Smith et al.	56/17.4 X
3,841,069	10/1974	Weck	.	
4,476,643	10/1984	Hilchey et al.	56/11.8 X
4,813,214	3/1989	Barnard et al.	180/19.3 X

OTHER PUBLICATIONS

The Toro Company leaflet entitled, "The Toro S-120 Snowthrower", Form No. HID-A010-A, 1987.

The Toro Company Operator's Manual Entitled, "20", Electric Lawn Mower/Trimmer, Form No. 3311-758 Rev. A.

Primary Examiner—Bruce W. Dunkins

Assistant Examiner—Monica Hannon

Attorney, Agent, or Firm—R. Lawrence Buckley

[57] CLAIM

The ornamental design for an appliance handle, as shown and described.

DESCRIPTION

FIG. 1 is a perspective view of an appliance handle showing our new design, the broken lines being shown therein for illustrative purposes only;

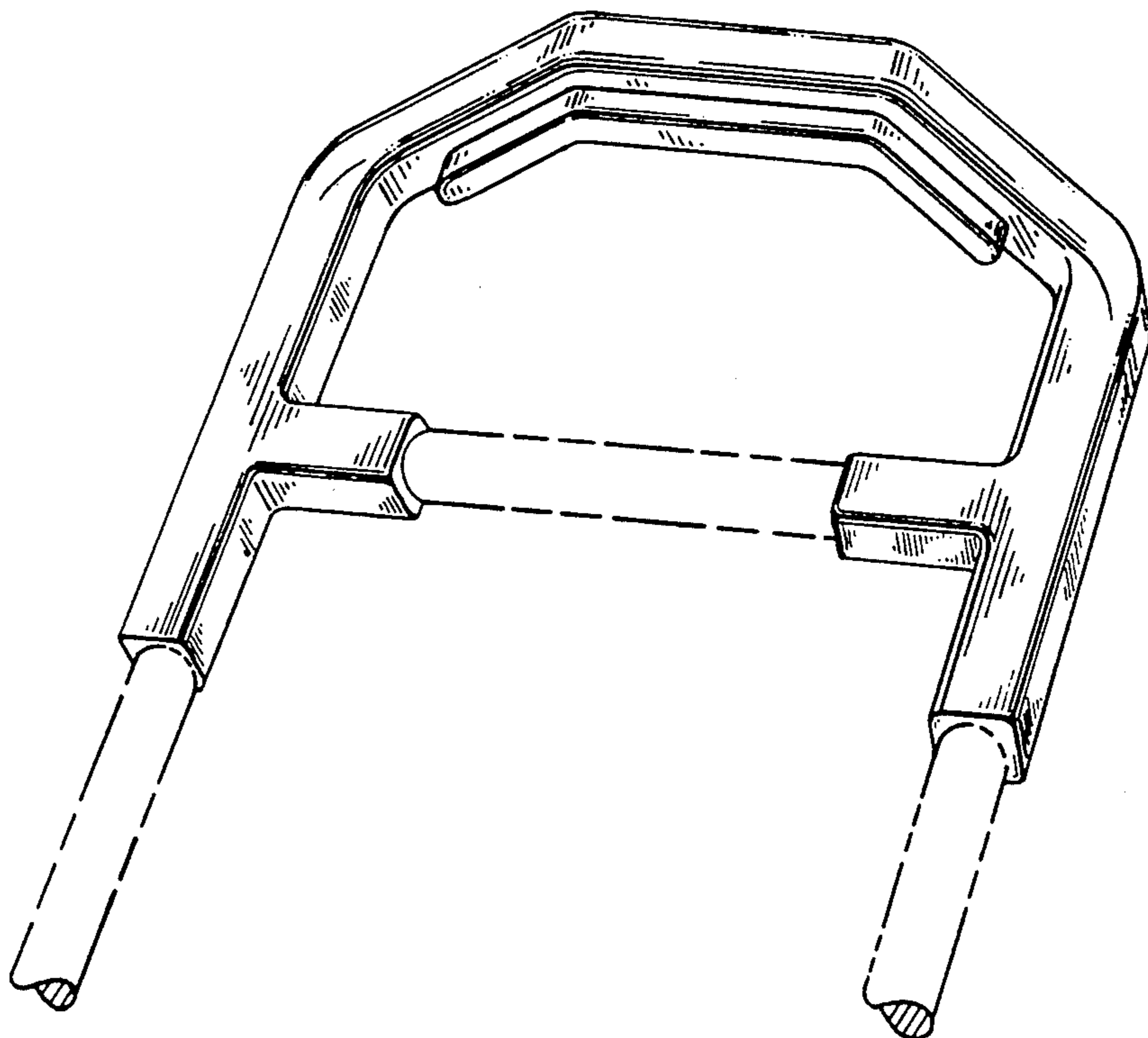
FIG. 2 is a side elevational view, the opposite side being a mirror image thereof;

FIG. 3 is a front elevational view thereof;

FIG. 4 is a rear elevational view thereof;

FIG. 5 is a top plan view thereof; and

FIG. 6 is a bottom plan view thereof.



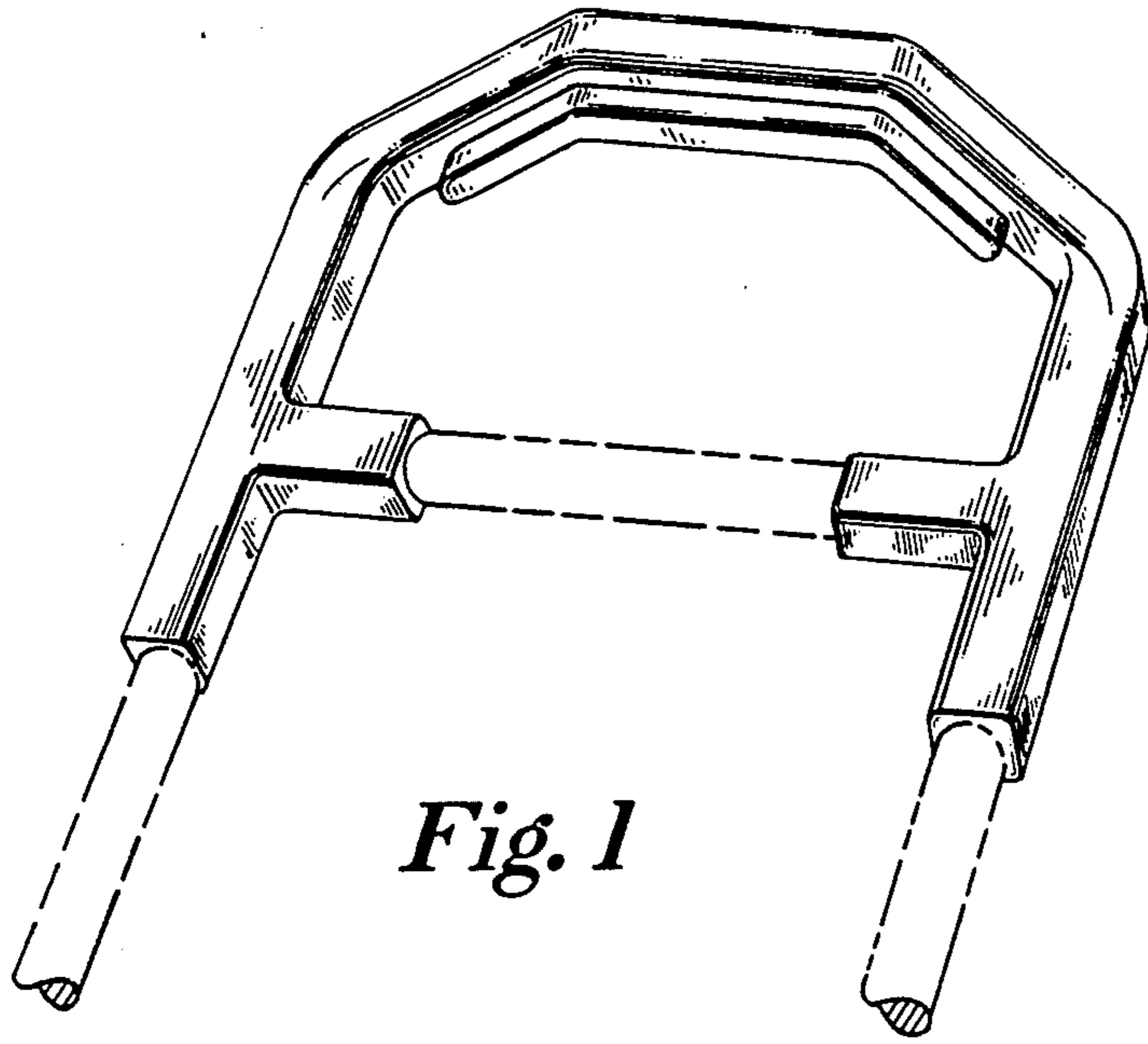


Fig. 1

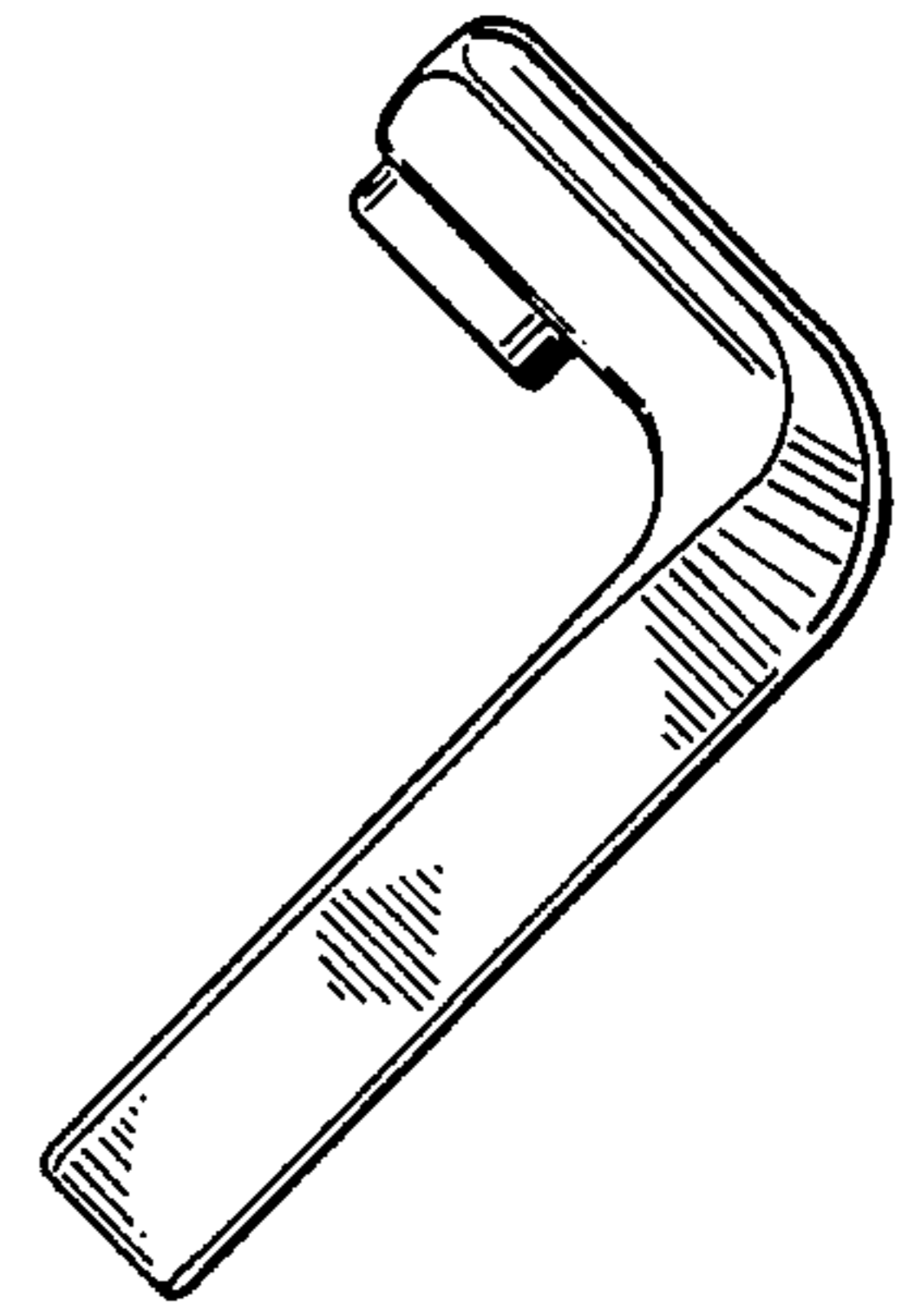


Fig. 2

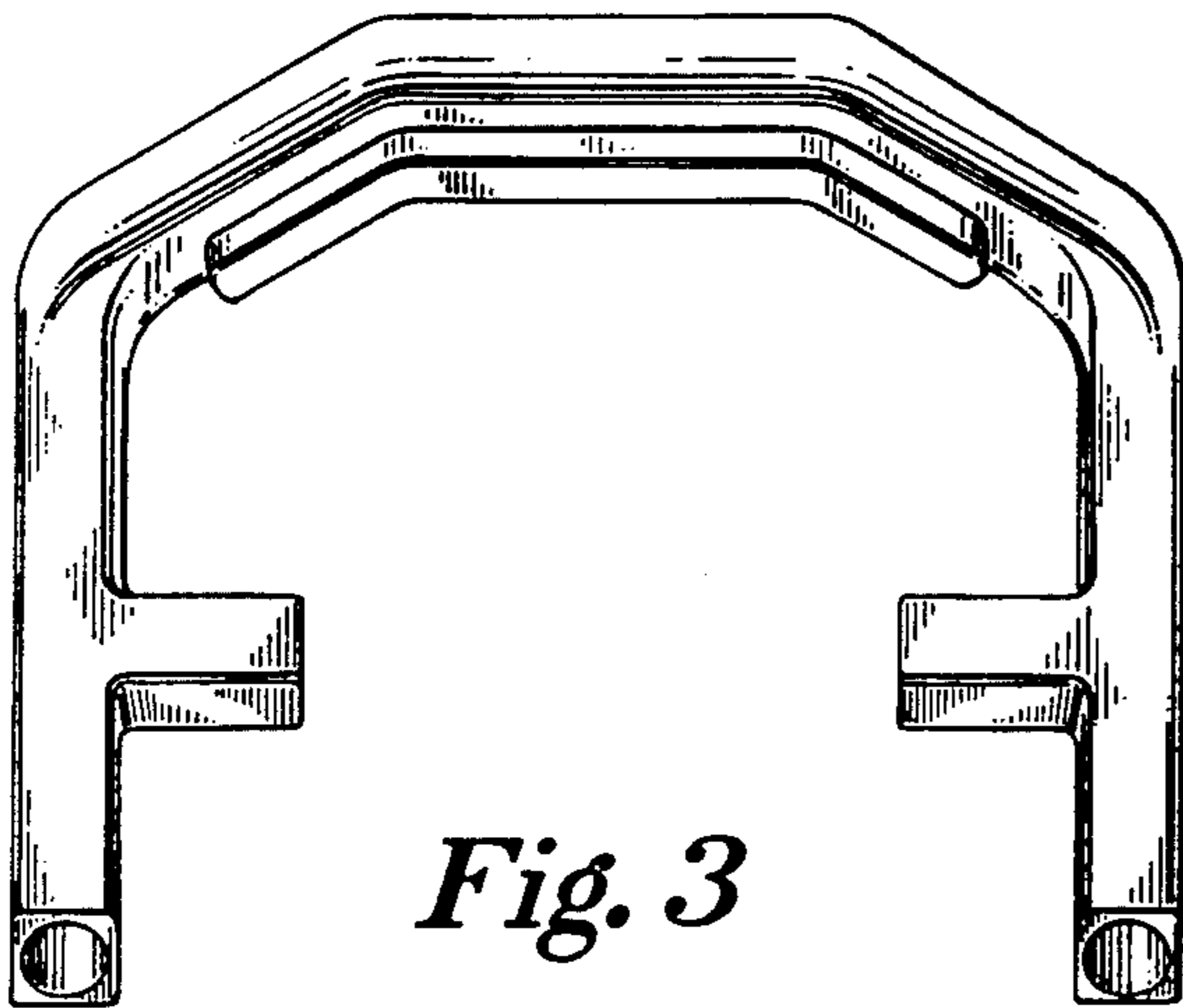


Fig. 3

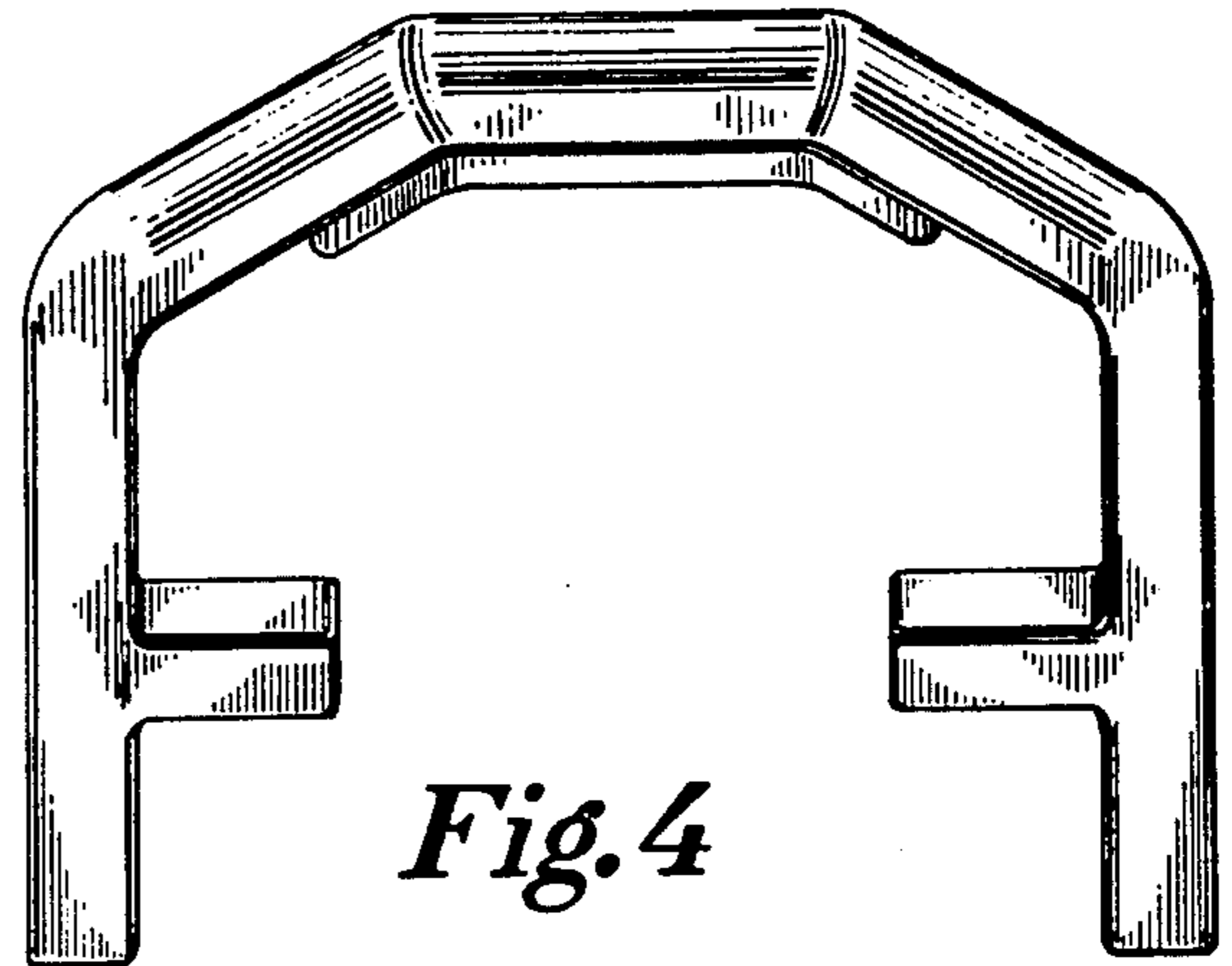


Fig. 4

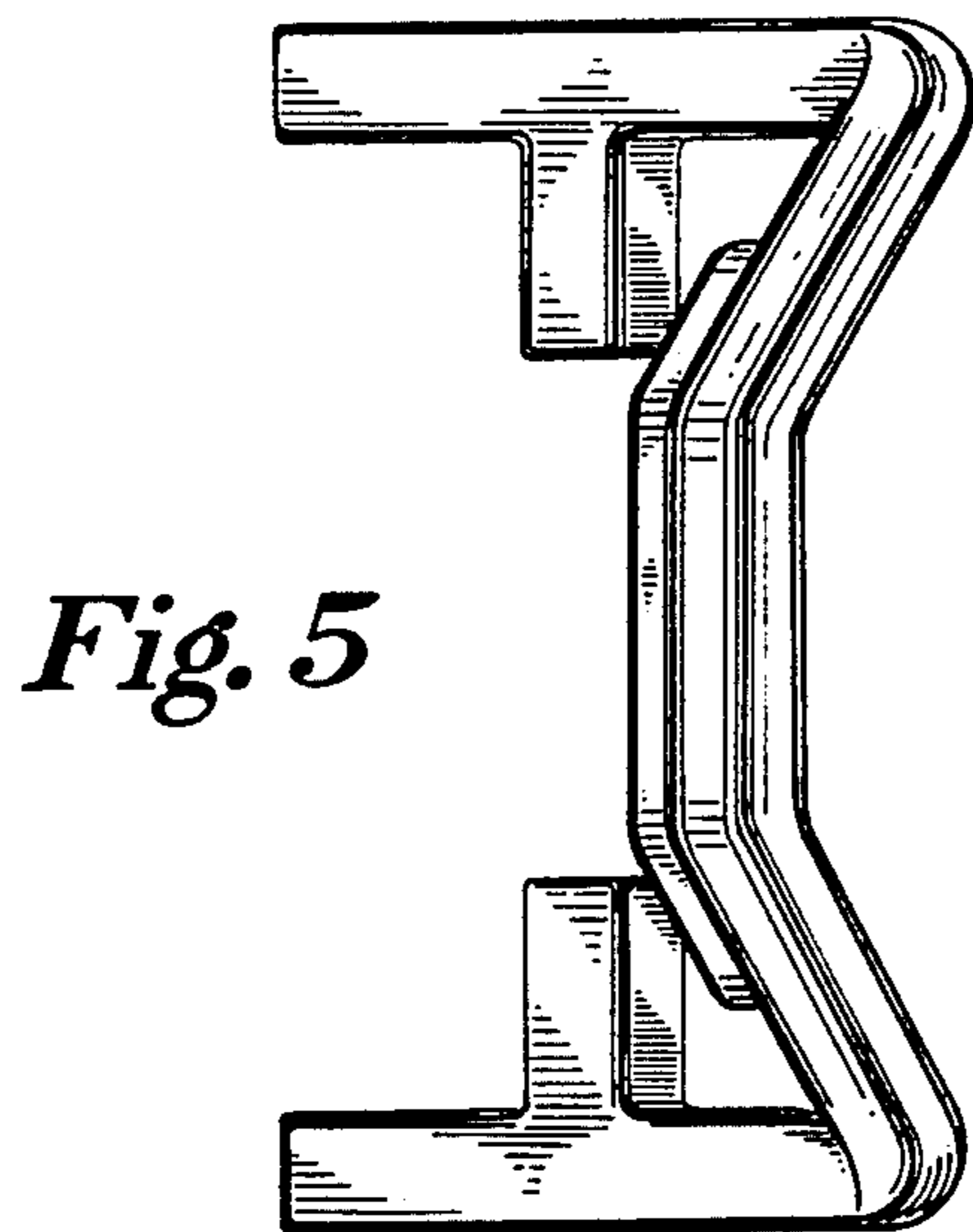


Fig. 5

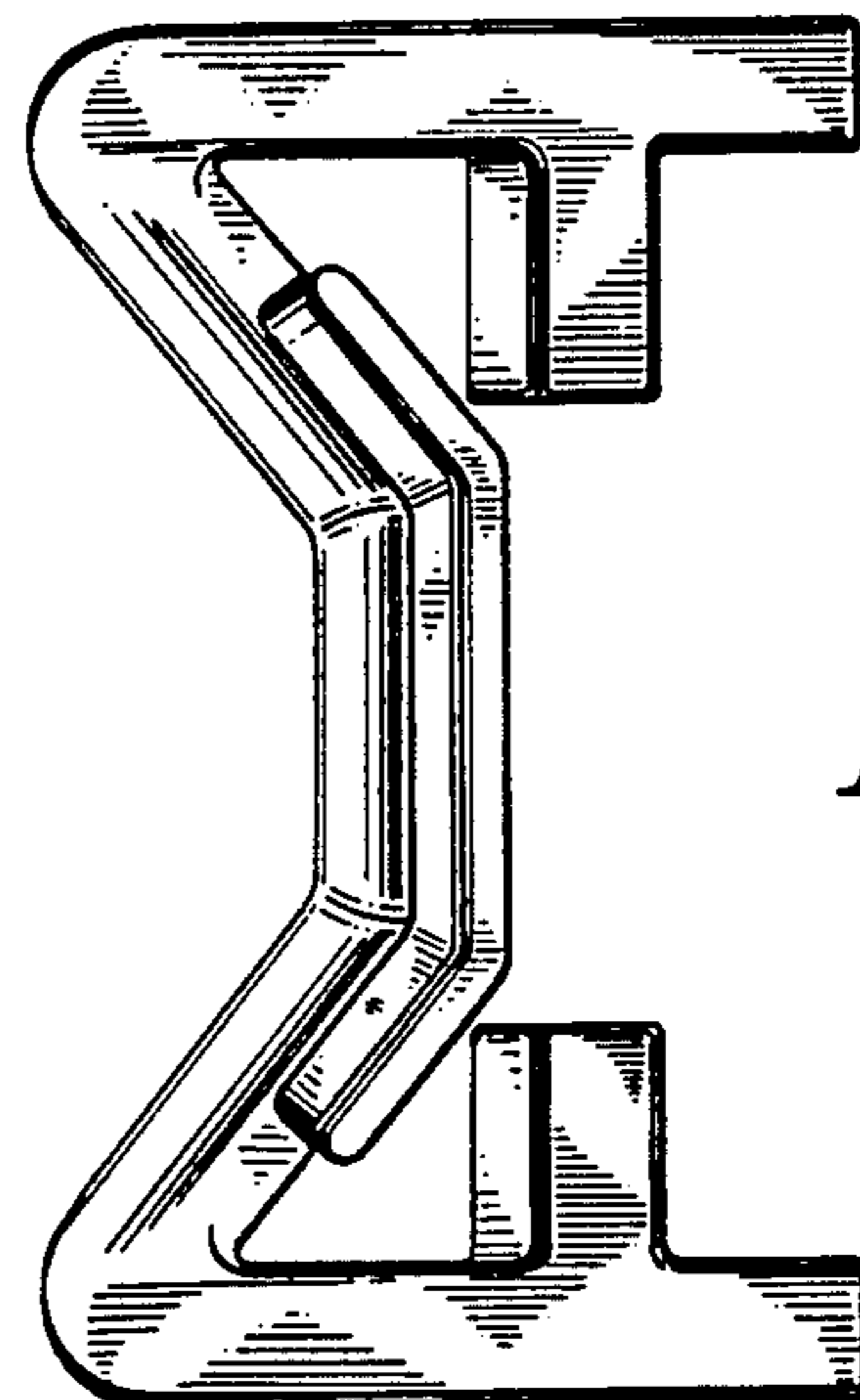


Fig. 6