

[54] CIRCULAR SAW OR SIMILAR ARTICLE

[75] Inventor: Donald W. Zurwelle, Lutherville, Md.

[73] Assignee: Black & Decker Inc., Newark, Del.

[**] Term: 14 Years

[21] Appl. No.: 326,208

[22] Filed: Mar. 17, 1989

[52] U.S. Cl. D8/66

[58] Field of Search D8/66-71; D15/133; 30/390, 391; 83/471.1, 471.2, 471.3, 490, 478

D. 313,155 12/1990 Somer D8/66
3,262,473 7/1966 Elson 30/390
4,856,394 8/1989 Clowers 30/391
5,005,295 4/1991 Fushiya 30/390

Primary Examiner—Nelson C. Holtje
Assistant Examiner—Jeff Musgrove
Attorney, Agent, or Firm—Dennis A. Dearing; Charles E. Yocum; John D. Del Ponti

[57] CLAIM

The ornamental design for a circular saw or similar article, as shown and described.

DESCRIPTION

FIG. 1 is a front elevational view of a circular saw or similar article showing my new design; FIG. 2 is a rear elevational view; FIG. 3 is a left side elevational view; FIG. 4 is a right side elevational view; FIG. 5 is a top plan view; and FIG. 6 is a bottom plan view thereof.

[56] References Cited

U.S. PATENT DOCUMENTS

D. 259,235 5/1981 Dibbern et al. D8/66
D. 262,184 12/1981 Glass et al. D8/66
D. 262,772 1/1982 Glass et al. D8/66

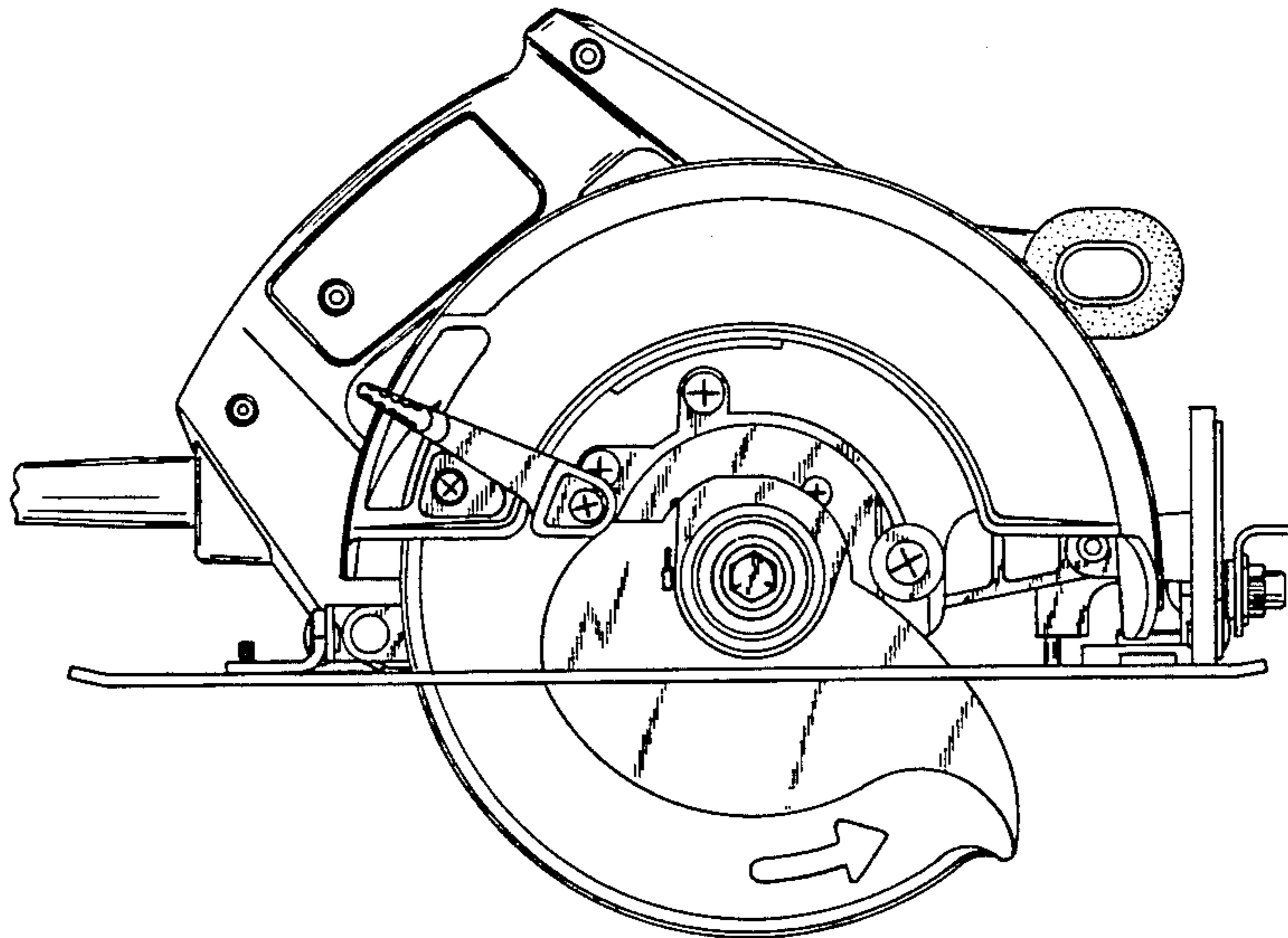
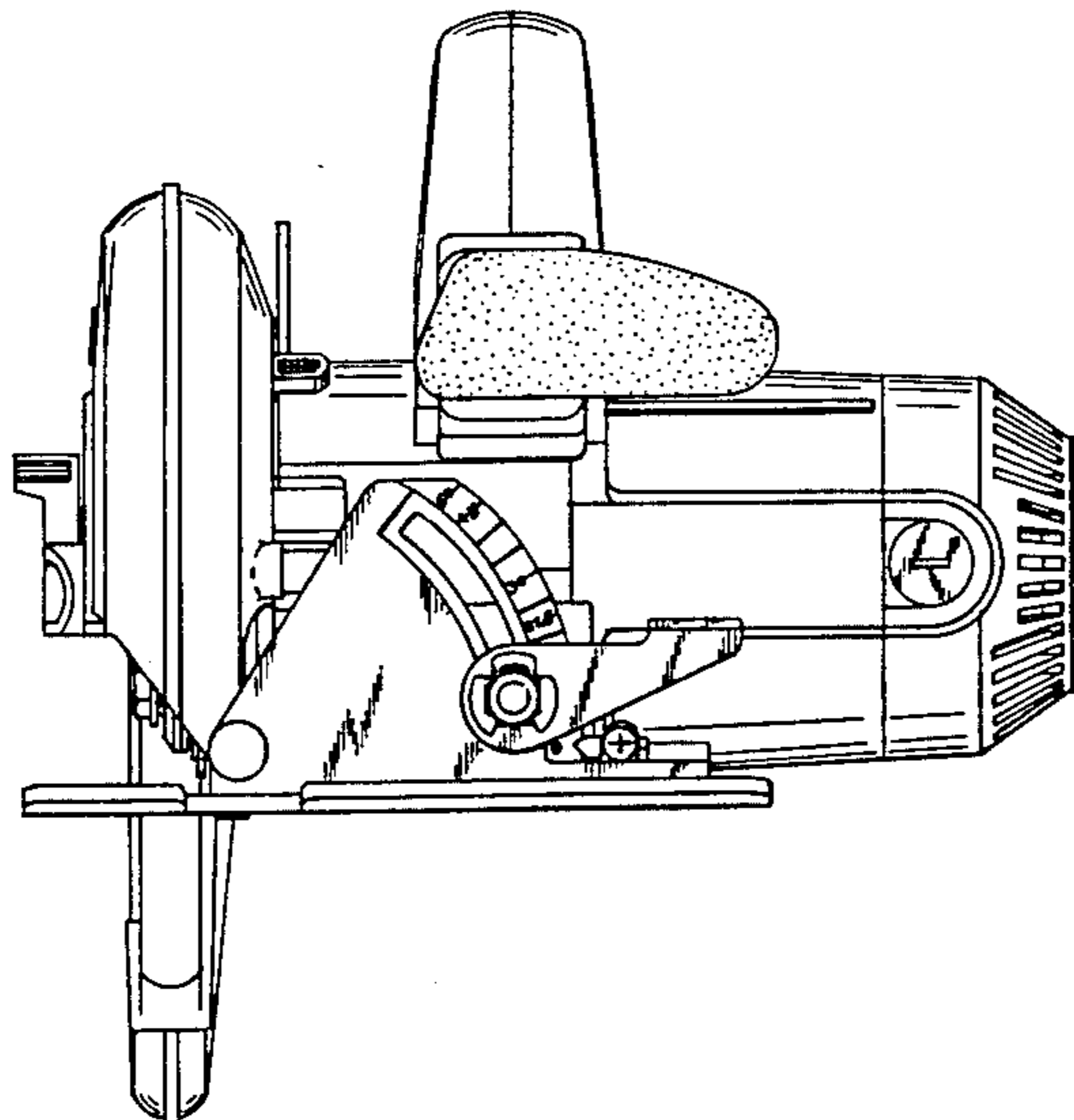


FIG. 1

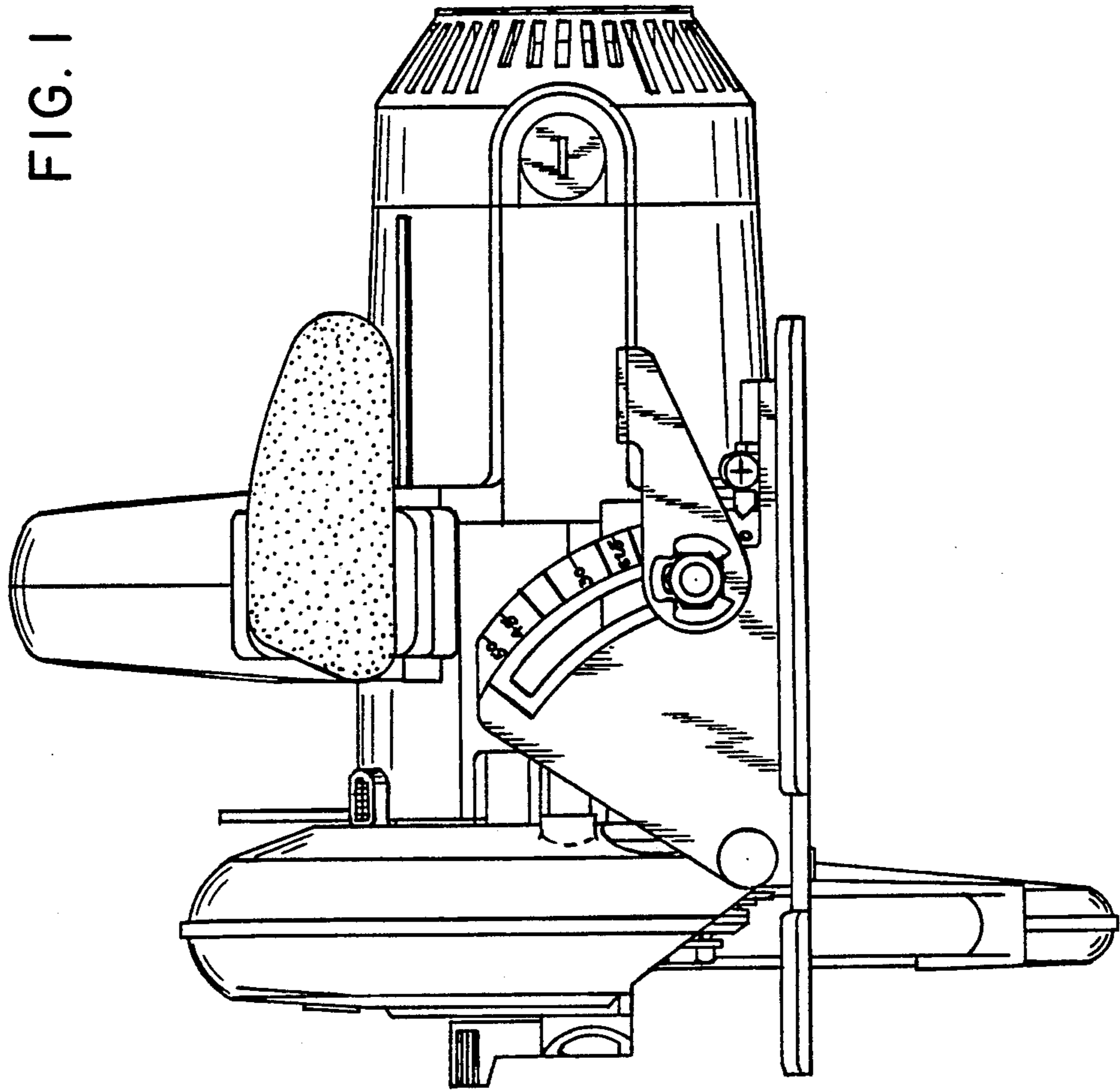


FIG. 2

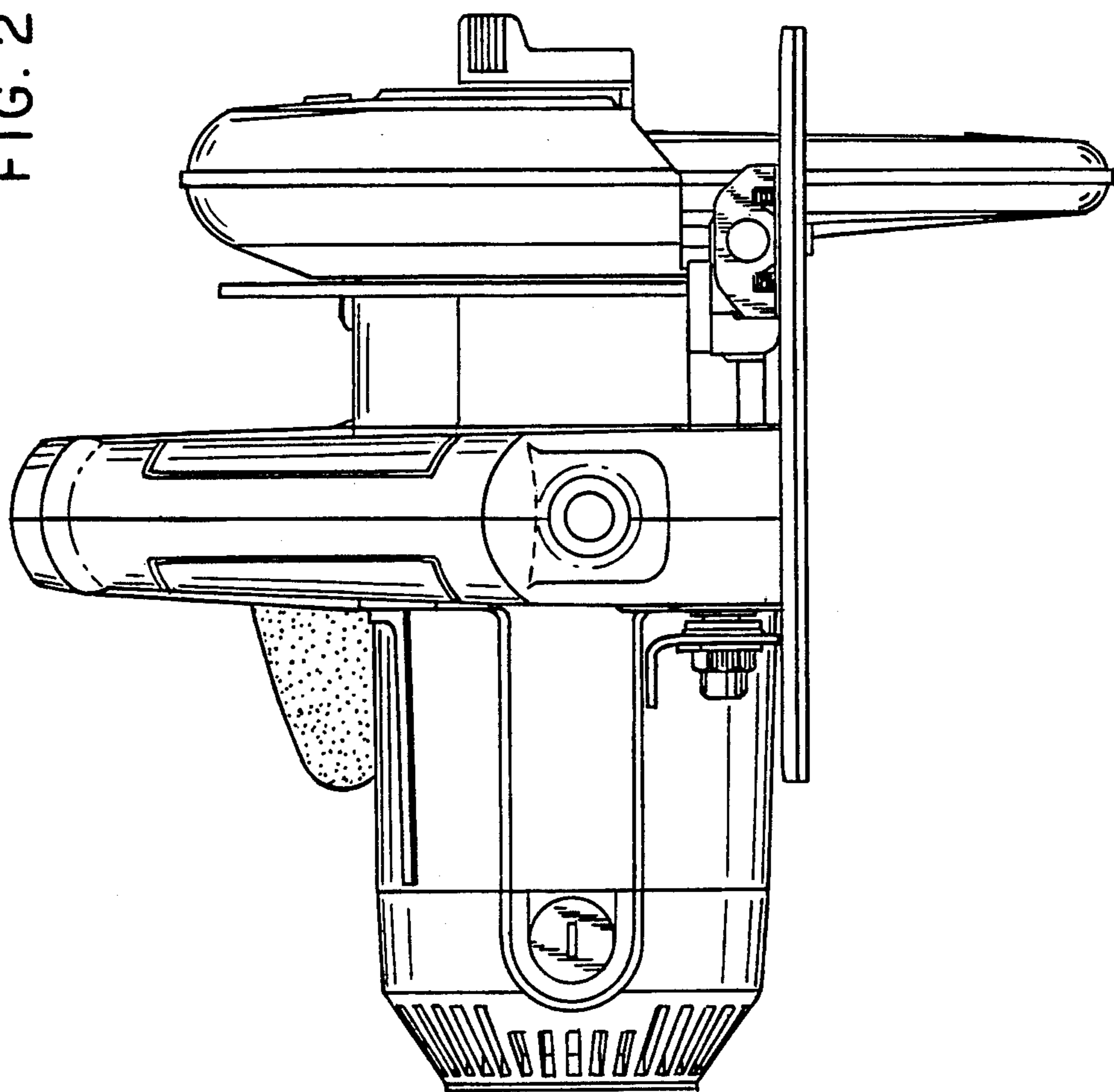


FIG. 3

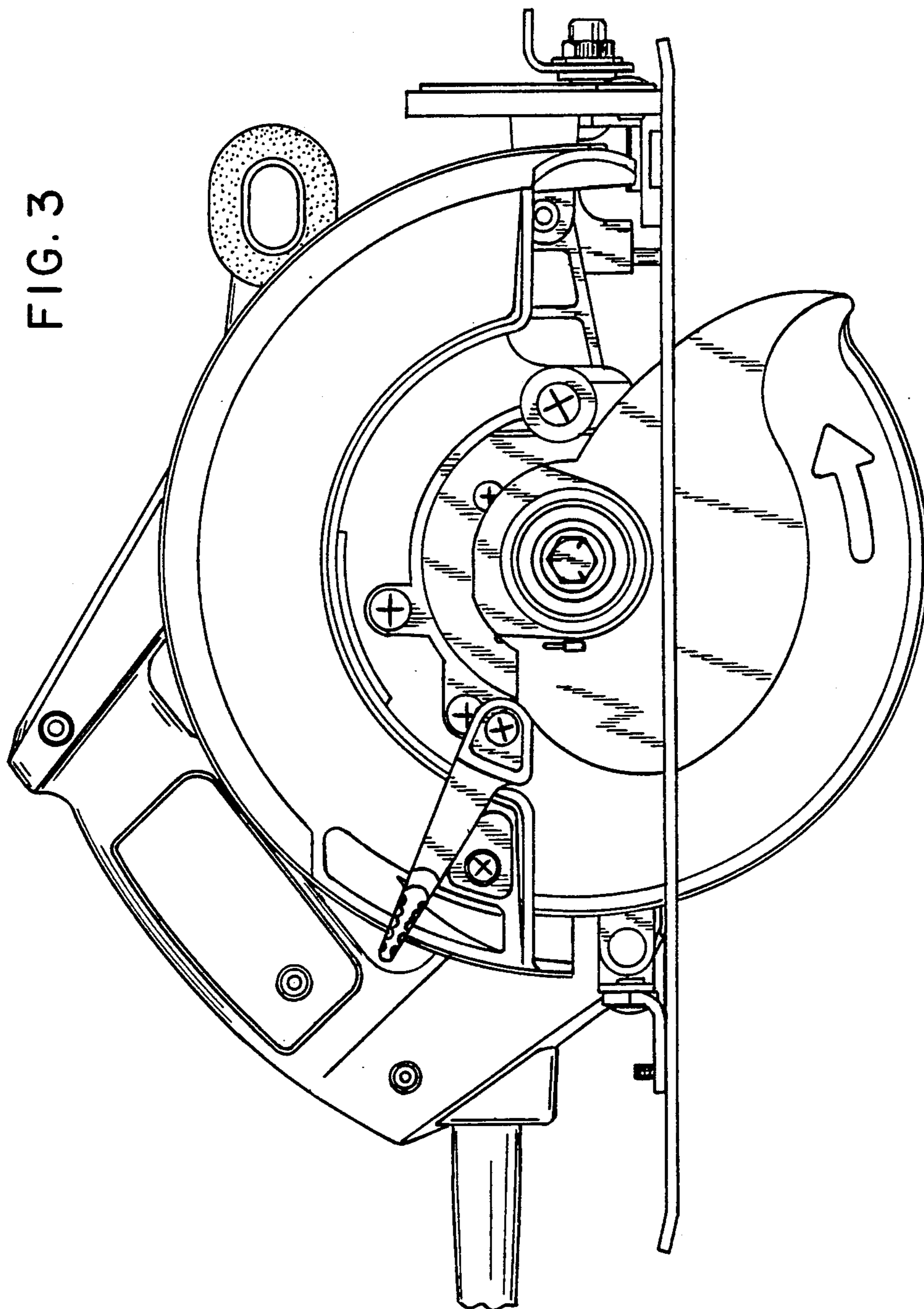


FIG. 4

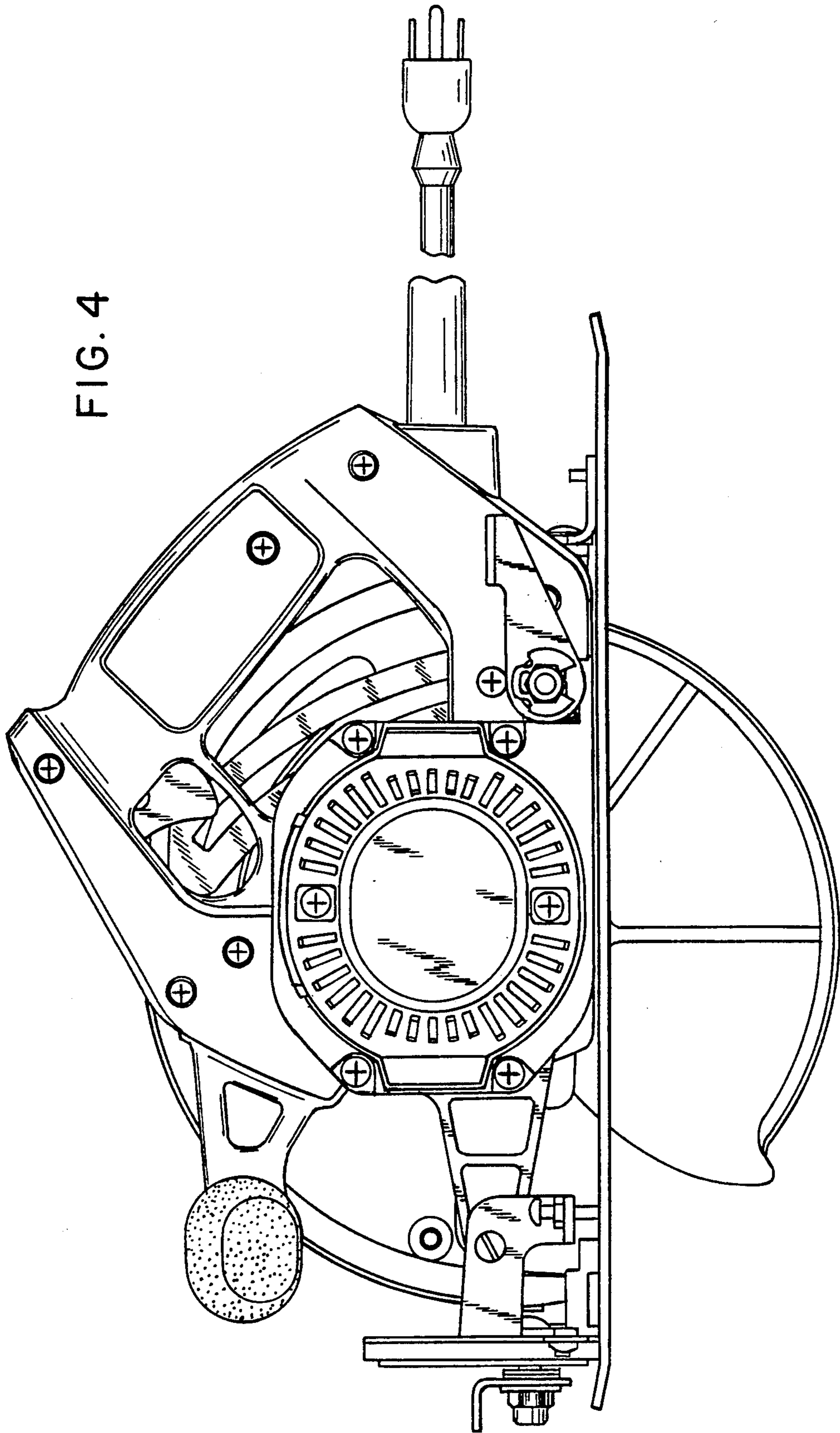
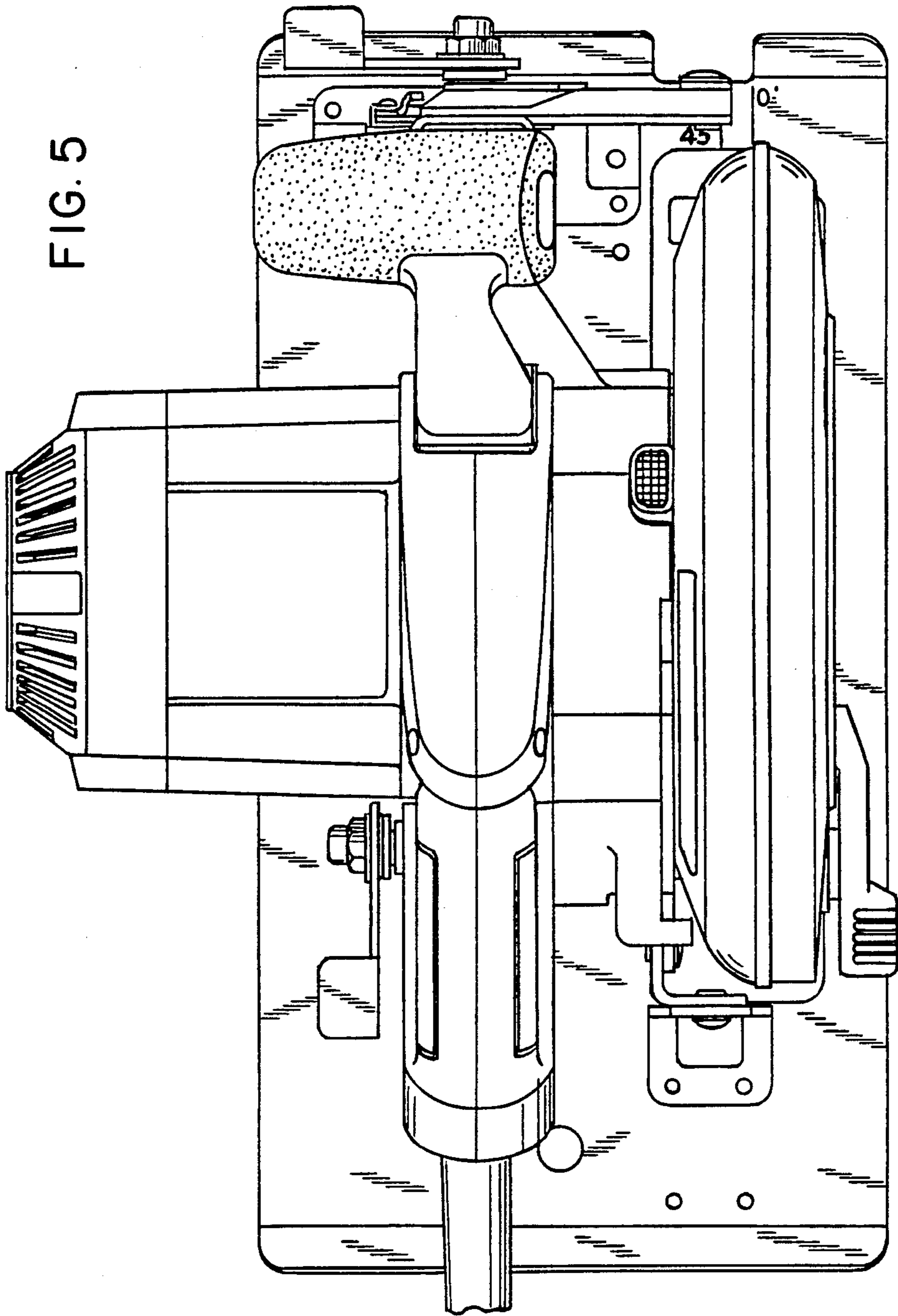


FIG. 5



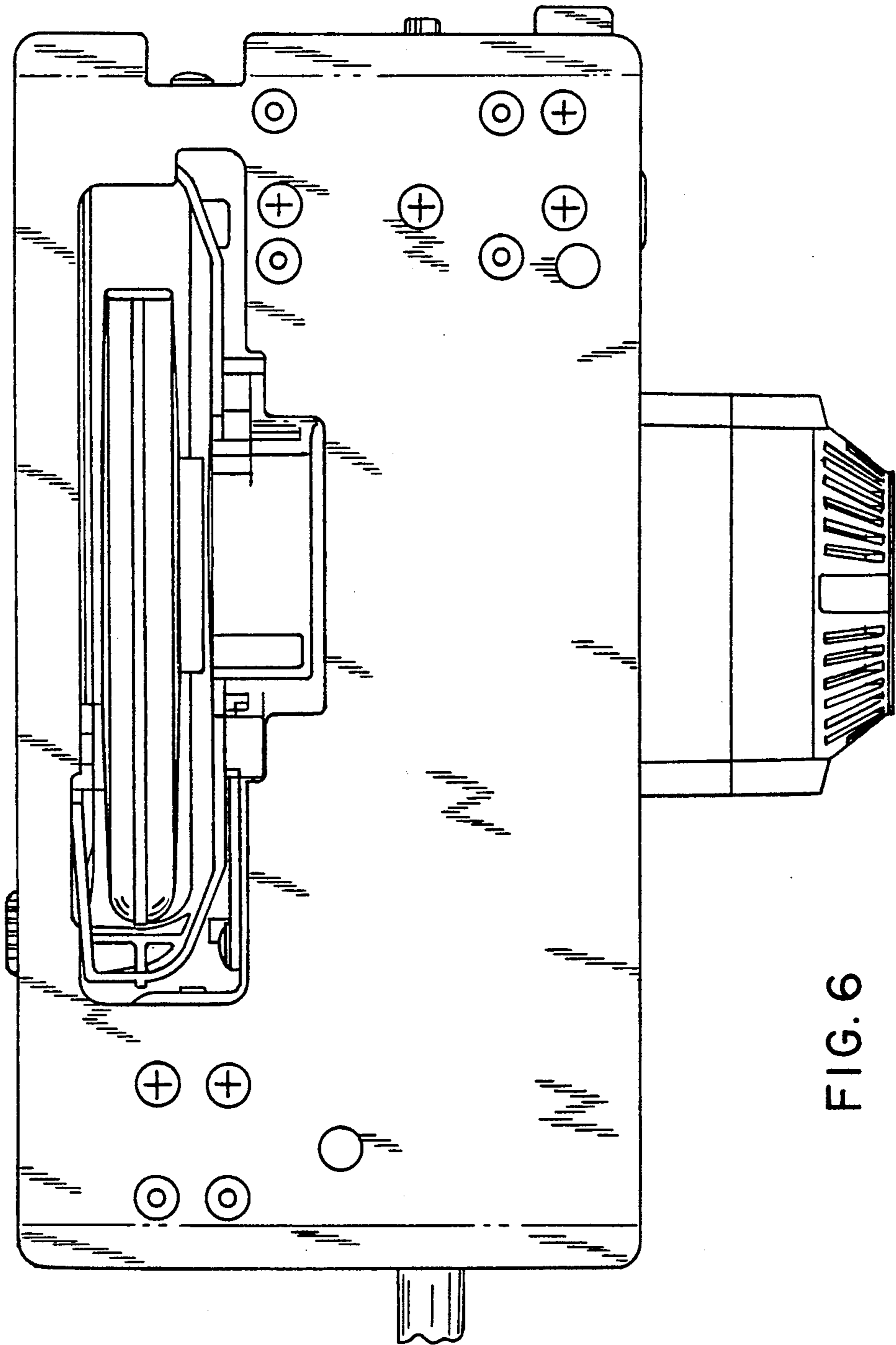


FIG. 6