

[54] POWER CHAINSAW DRIVE UNIT

[75] Inventor: Bengt A. J. Arvidsson, Huskvarna, Sweden

[73] Assignee: Aktiebolaget Electrolux, Stockholm, Sweden

[**] Term: 14 Years

[21] Appl. No.: 264,672

[22] Filed: Oct. 31, 1988

[52] U.S. Cl. D8/65; D15/1

[58] Field of Search D8/61-70; 30/381, 382, 383, 384, 385, 386; D15/1

[56] References Cited

U.S. PATENT DOCUMENTS

- D. 256,584 8/1980 Tuggle et al. D15/1
- D. 295,713 5/1988 Nagashima et al. D8/65

- D. 302,931 8/1989 Nagashima et al. D8/65
- 4,615,398 10/1986 Nagashima et al. 30/381
- 4,753,012 6/1988 Schurr 30/381

Primary Examiner—Nelson C. Holtje
Assistant Examiner—J. H. Musgrove
Attorney, Agent, or Firm—Pearne, Gordon, McCoy & Granger

[57] CLAIM

The ornamental design for a power chainsaw drive unit, as shown.

DESCRIPTION

FIG. 1 is a right side elevational view of a power chainsaw drive unit showing my new design; FIG. 2 is a top plan view; FIG. 3 is a front elevational view; FIG. 4 is a rear elevational view; FIG. 5 is a left side elevational view; and FIG. 6 is a bottom plan view.

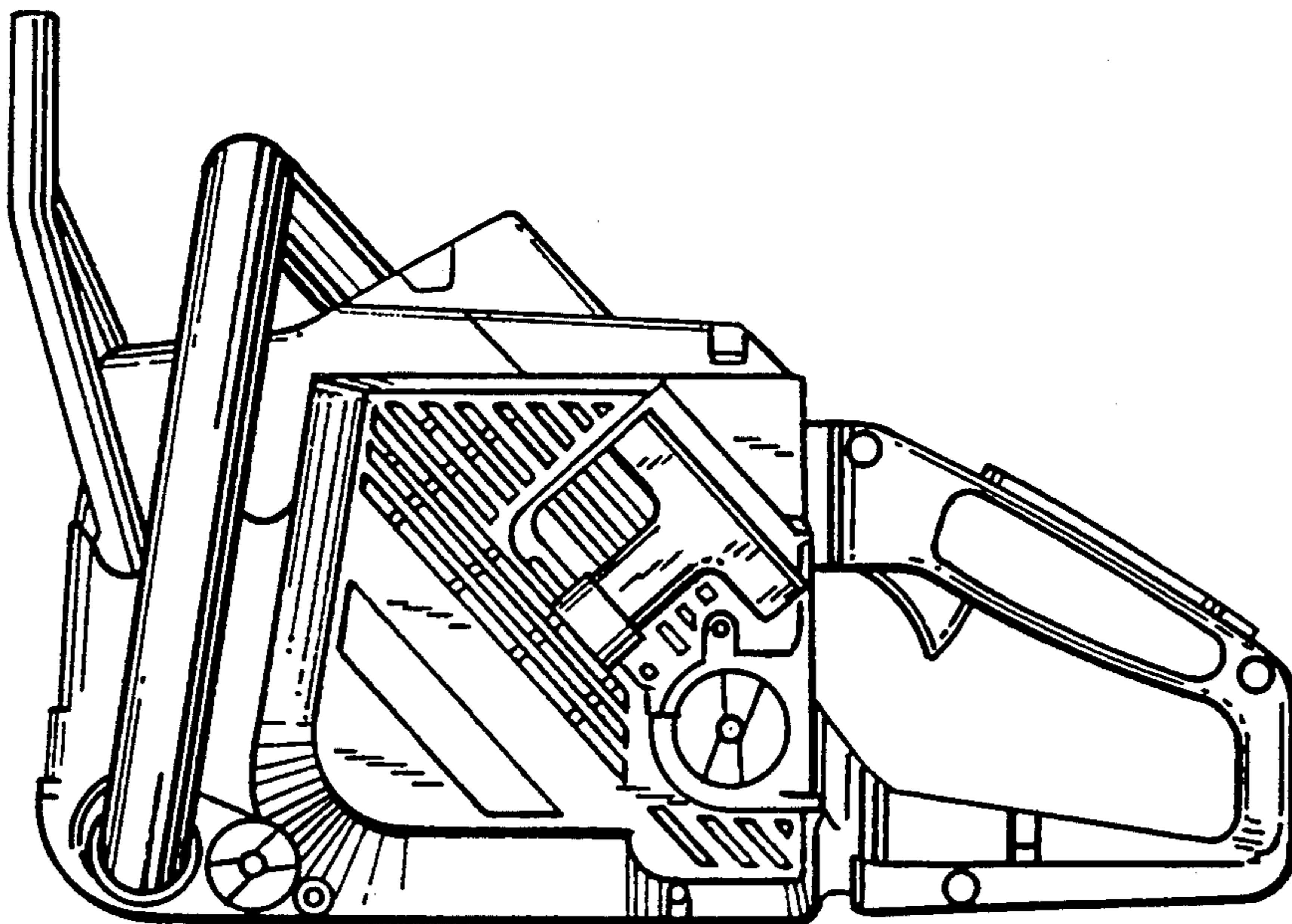


FIG.1

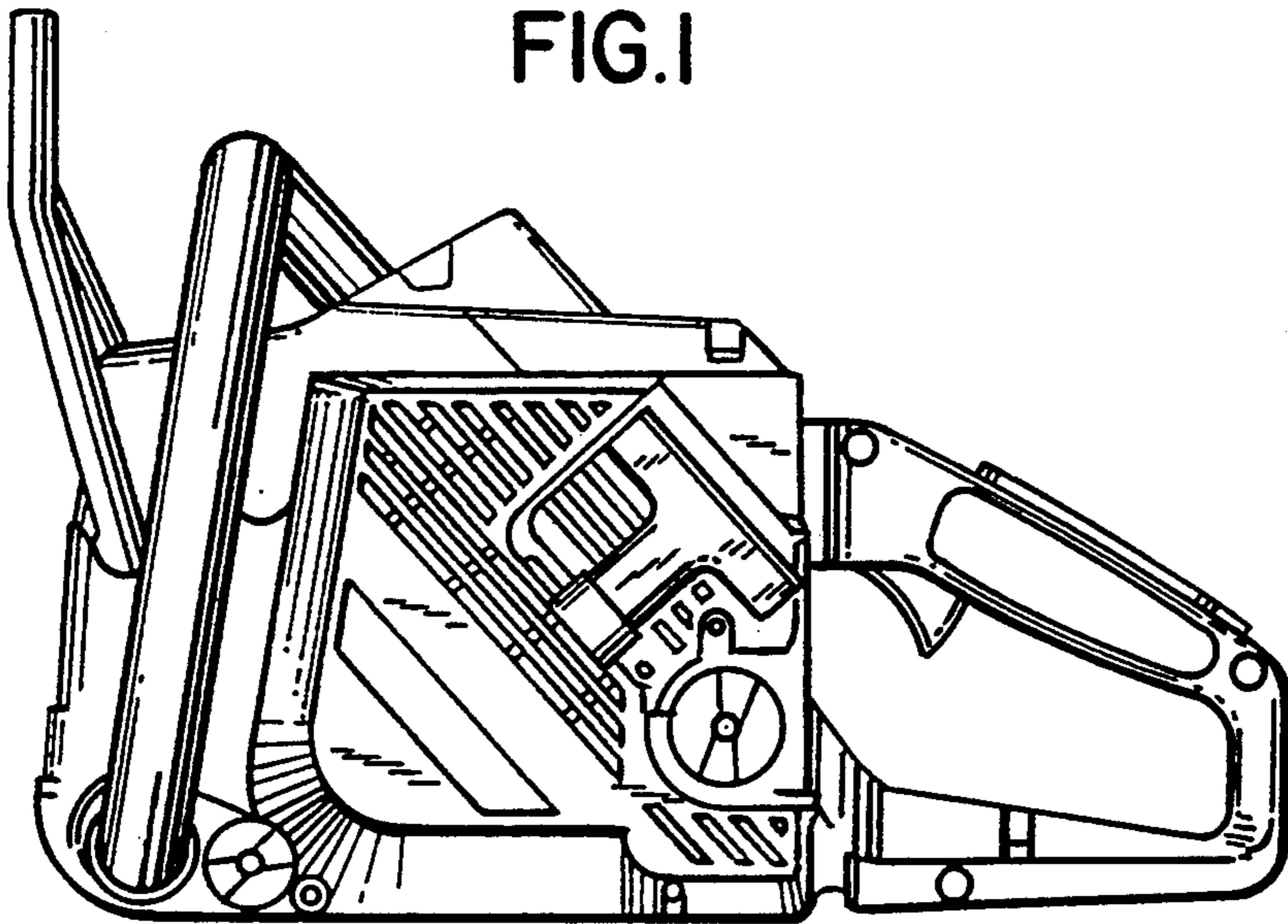


FIG.2

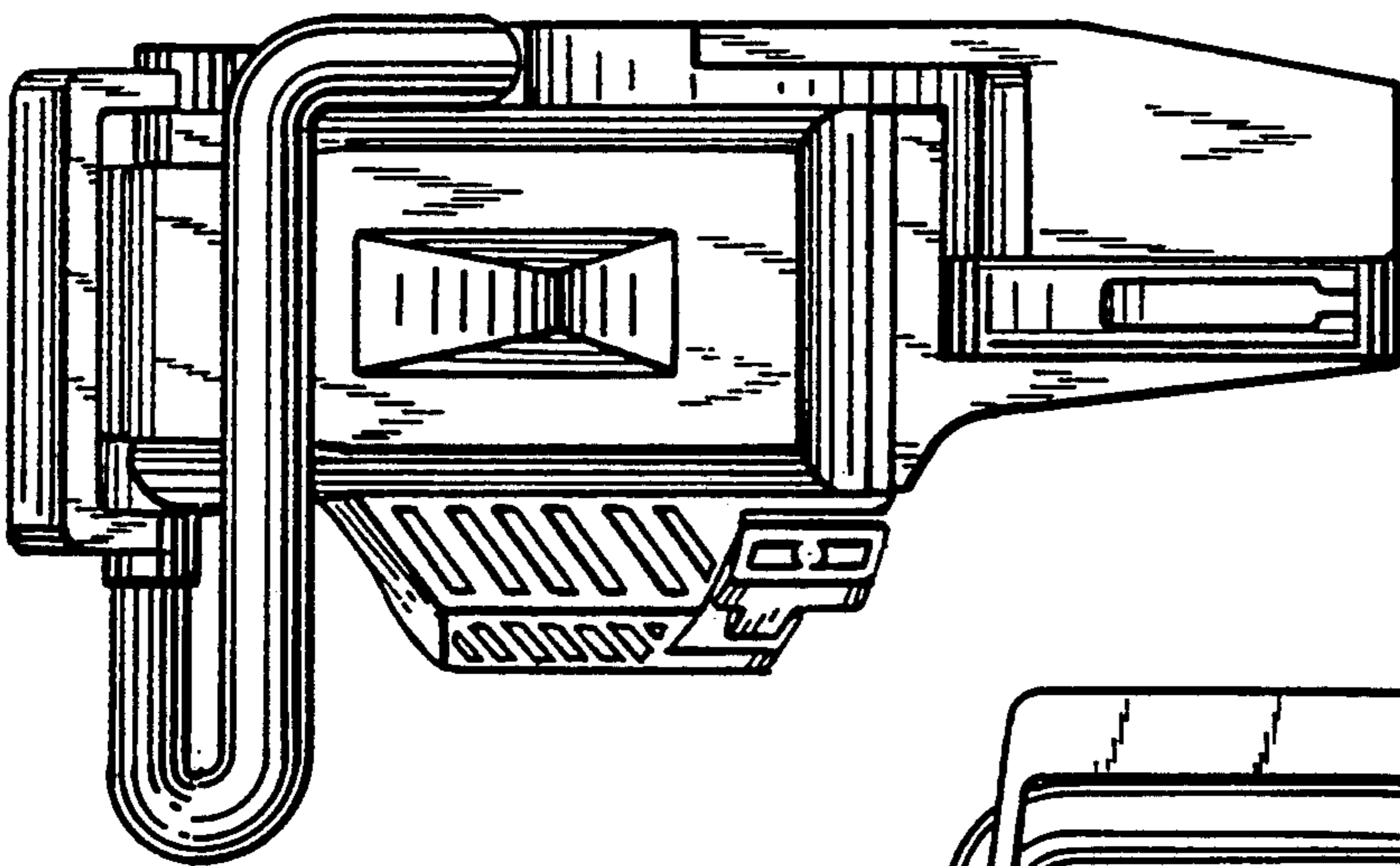


FIG.3

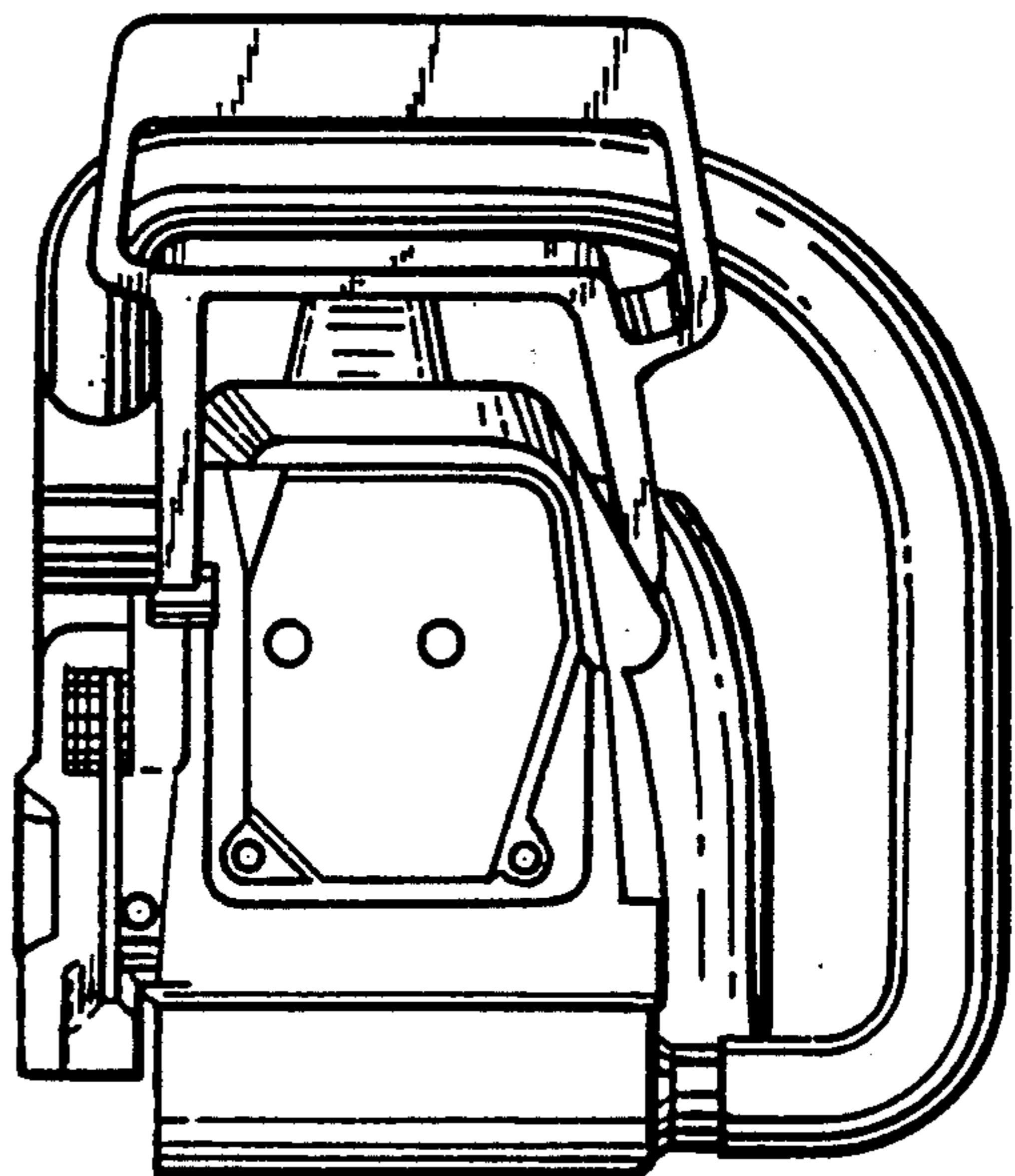


FIG.4

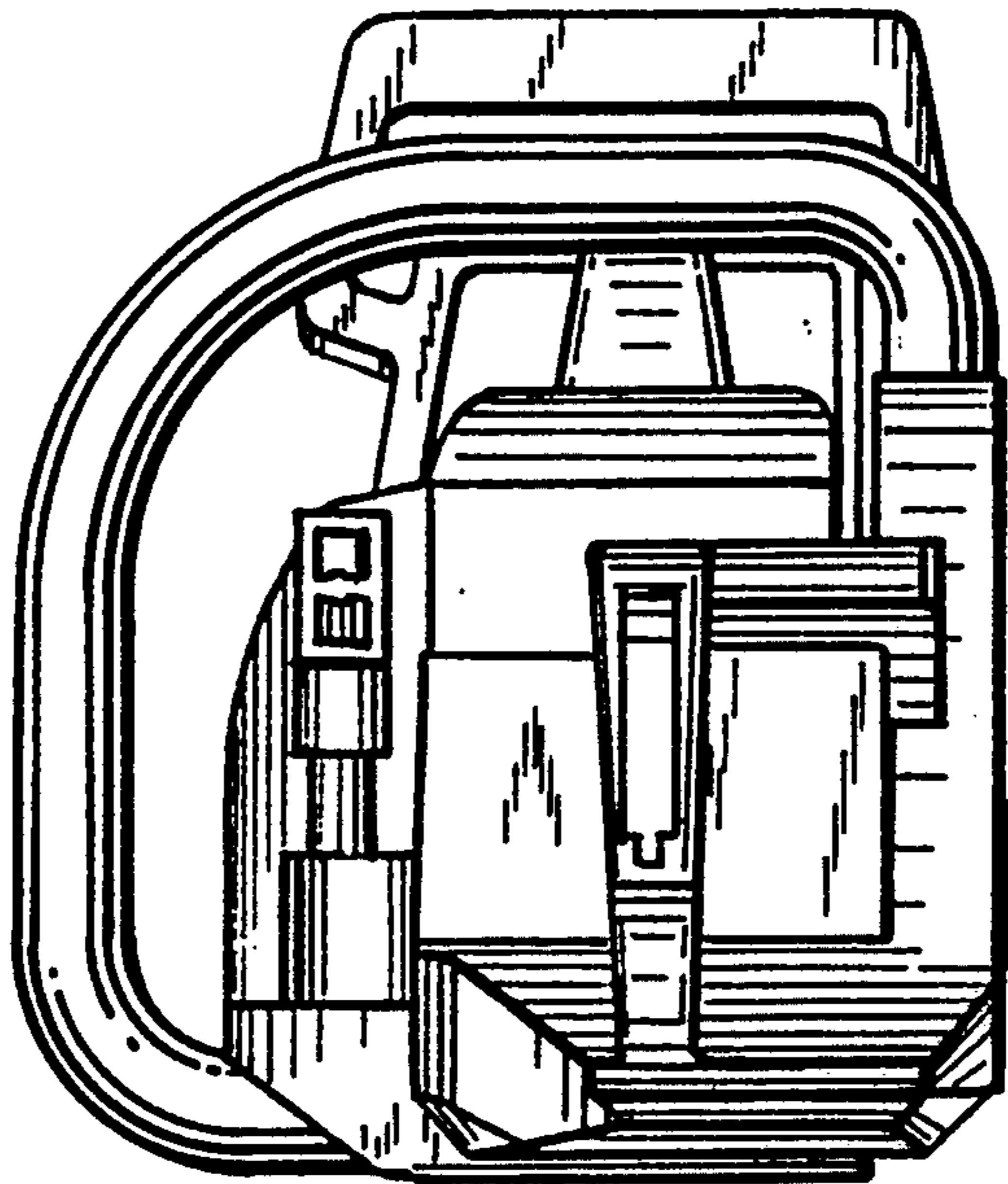


FIG.5

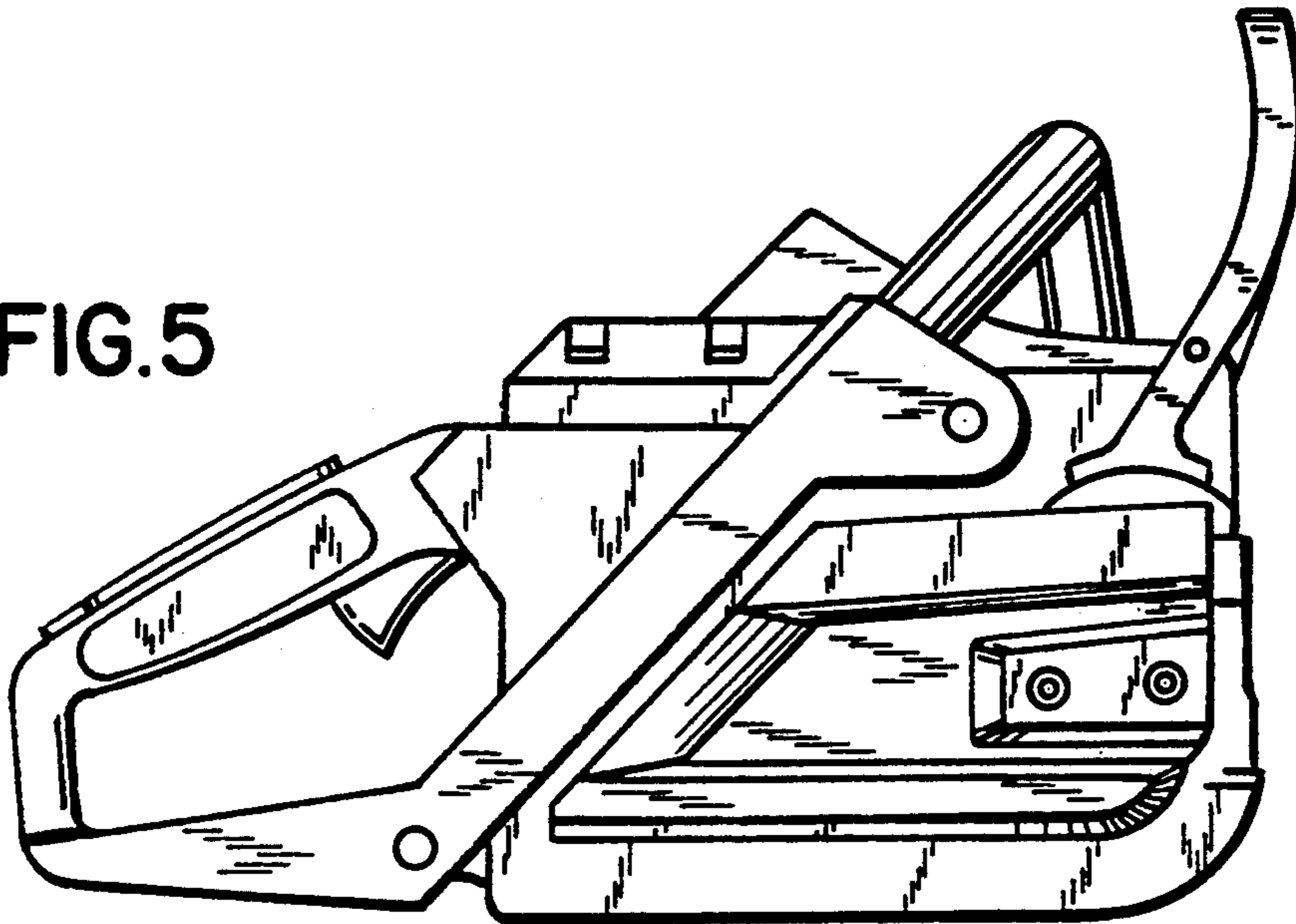


FIG.6

