

[54] MOVIE THEATER CADDY

[75] Inventors: Patricia J. White; Anne Paone, both of Chicago, Ill.

[73] Assignee: Paone/Barron Joint Venture, Chicago, Ill.

[**] Term: 14 Years

[21] Appl. No.: 342,916

[22] Filed: Apr. 25, 1989

[52] U.S. Cl. D7/620

[58] Field of Search D7/619-620; 220/85 H; 215/100.5, 101; 211/71, 74, 75; 248/311.2, 214, 313; 224/252, 269

[56] References Cited

U.S. PATENT DOCUMENTS

4,795,211 1/1989 Stern et al. 248/311.2 X

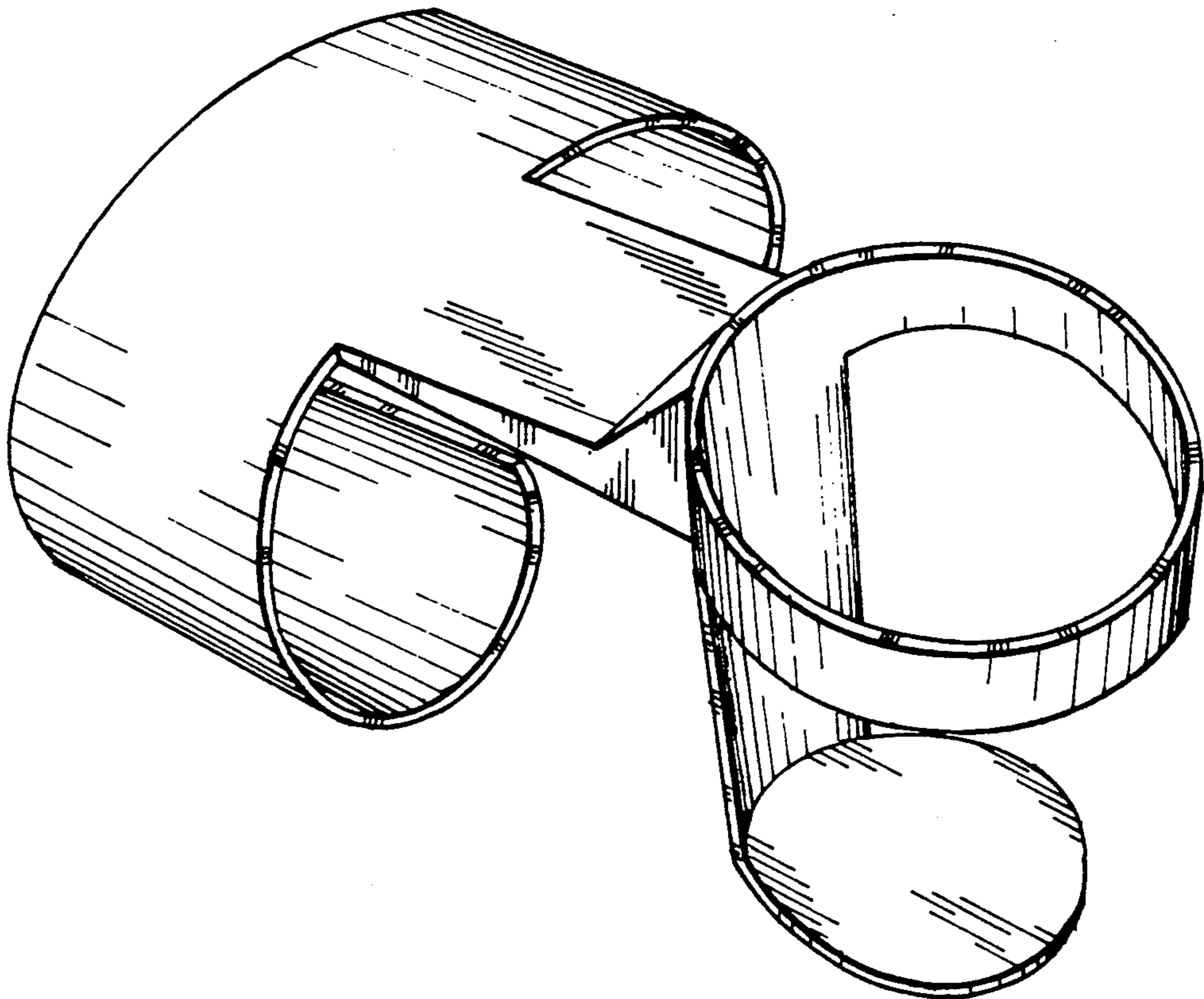
Primary Examiner—Terry A. Pfeffer
Attorney, Agent, or Firm—McDermott, Will & Emery

[57] CLAIM

The ornamental design for a movie theater caddy, as shown.

DESCRIPTION

FIG. 1 is a perspective view of a movie theater caddy showing our new design;
FIG. 2 is a rear elevational view thereof;
FIG. 3 is a front elevational view thereof;
FIG. 4 is a top plan view thereof;
FIG. 5 is a side elevational view thereof; and
FIG. 6 is a bottom plan view thereof.



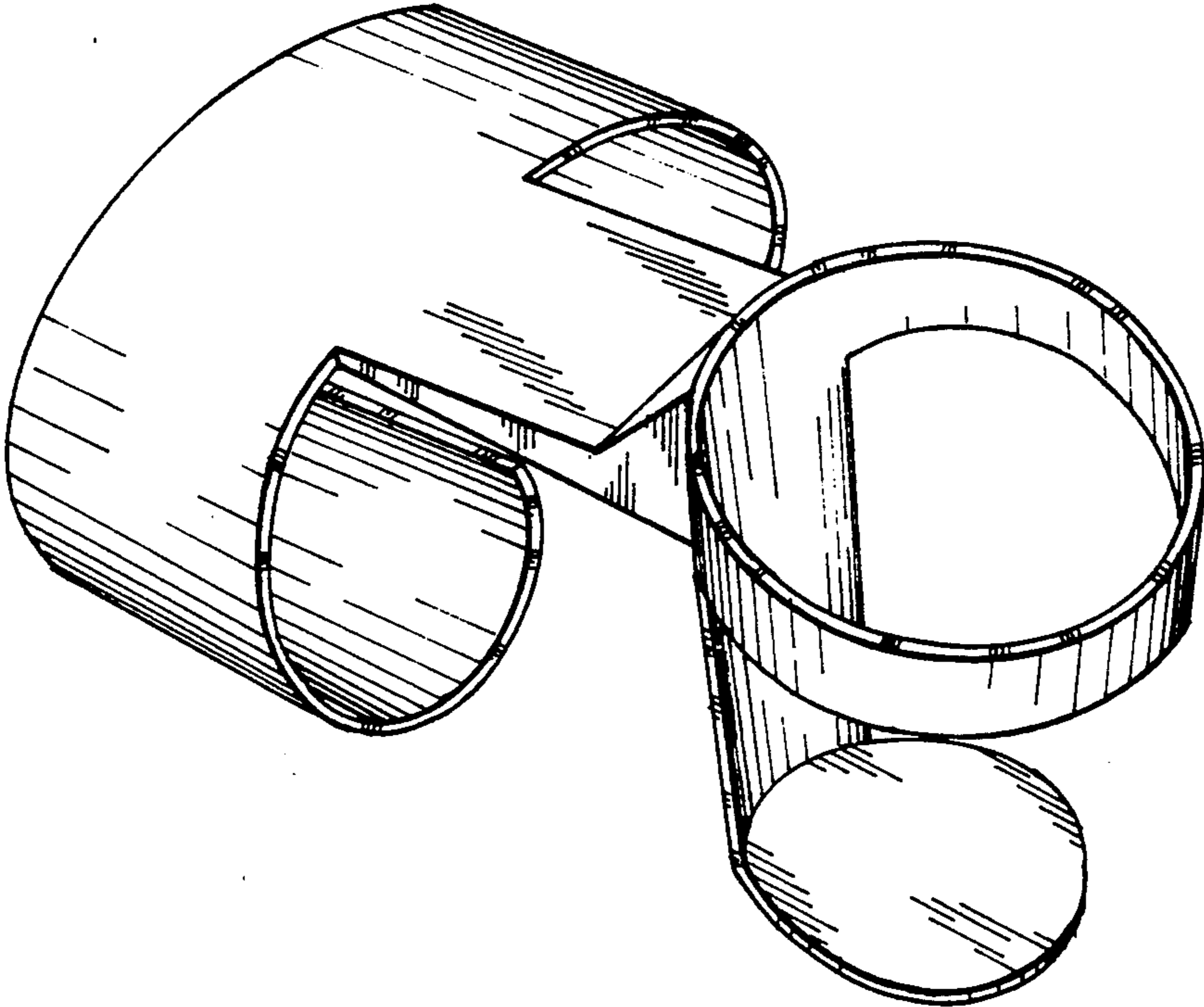


FIG. 1

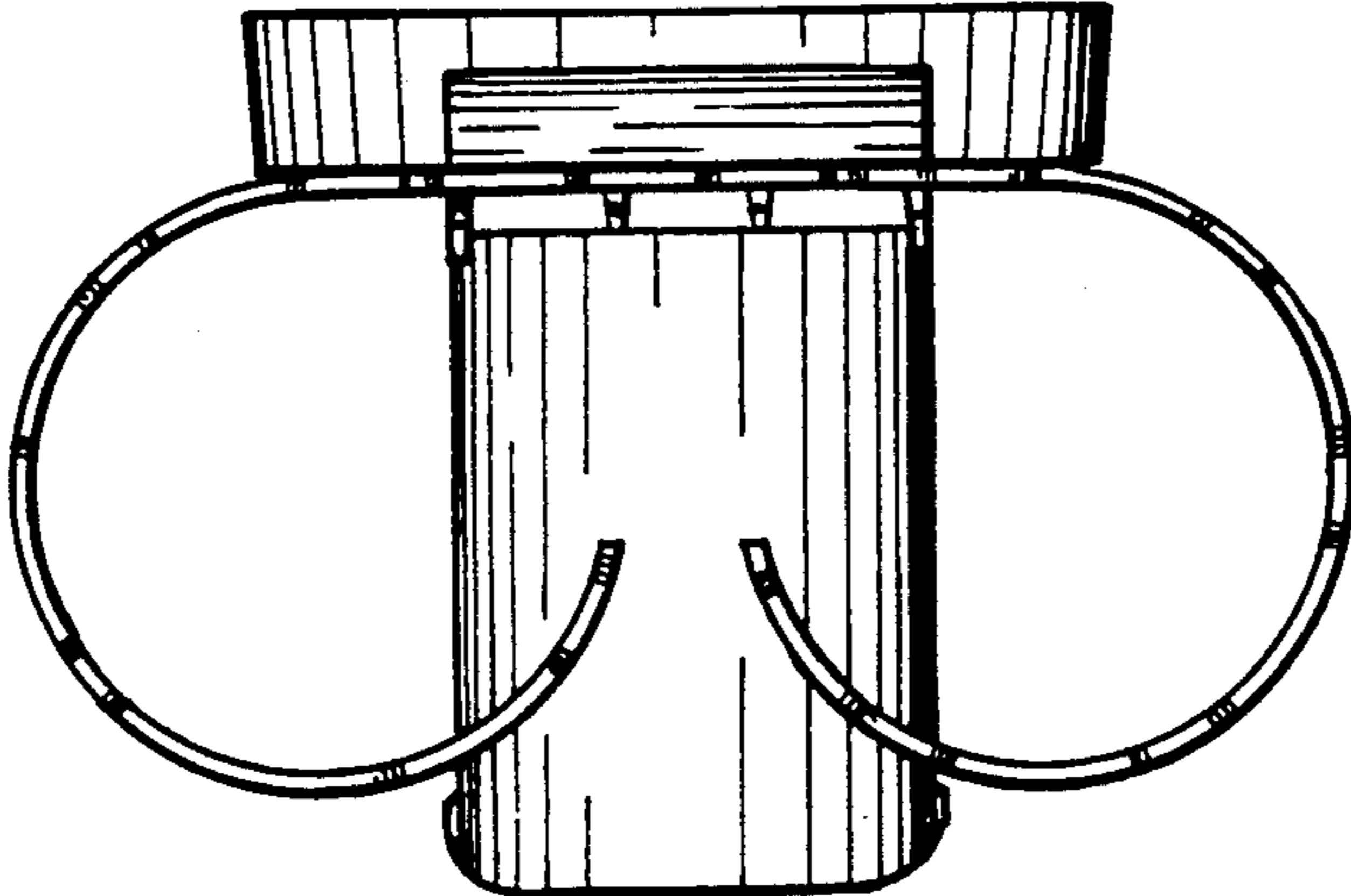


FIG. 2

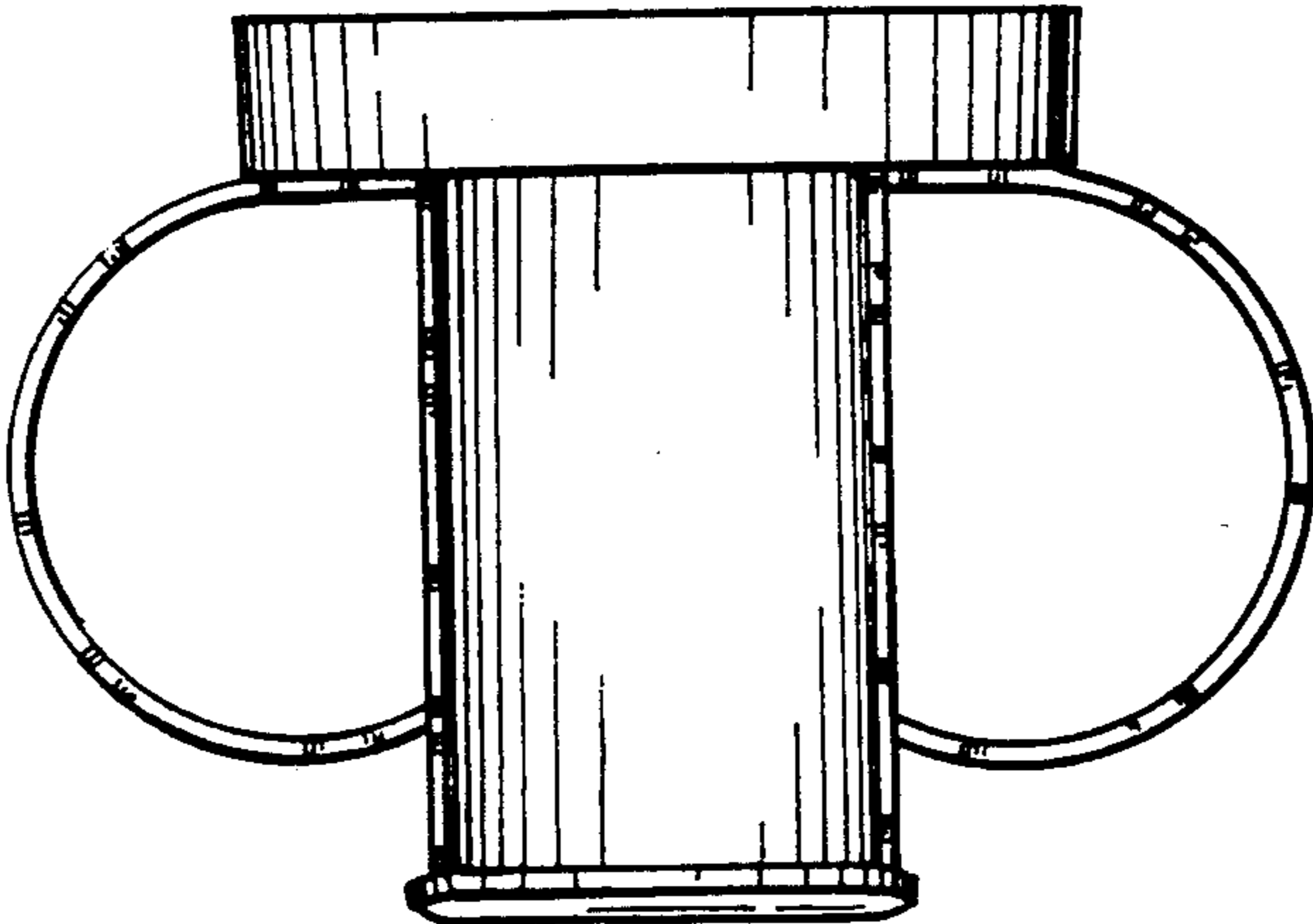


FIG. 3

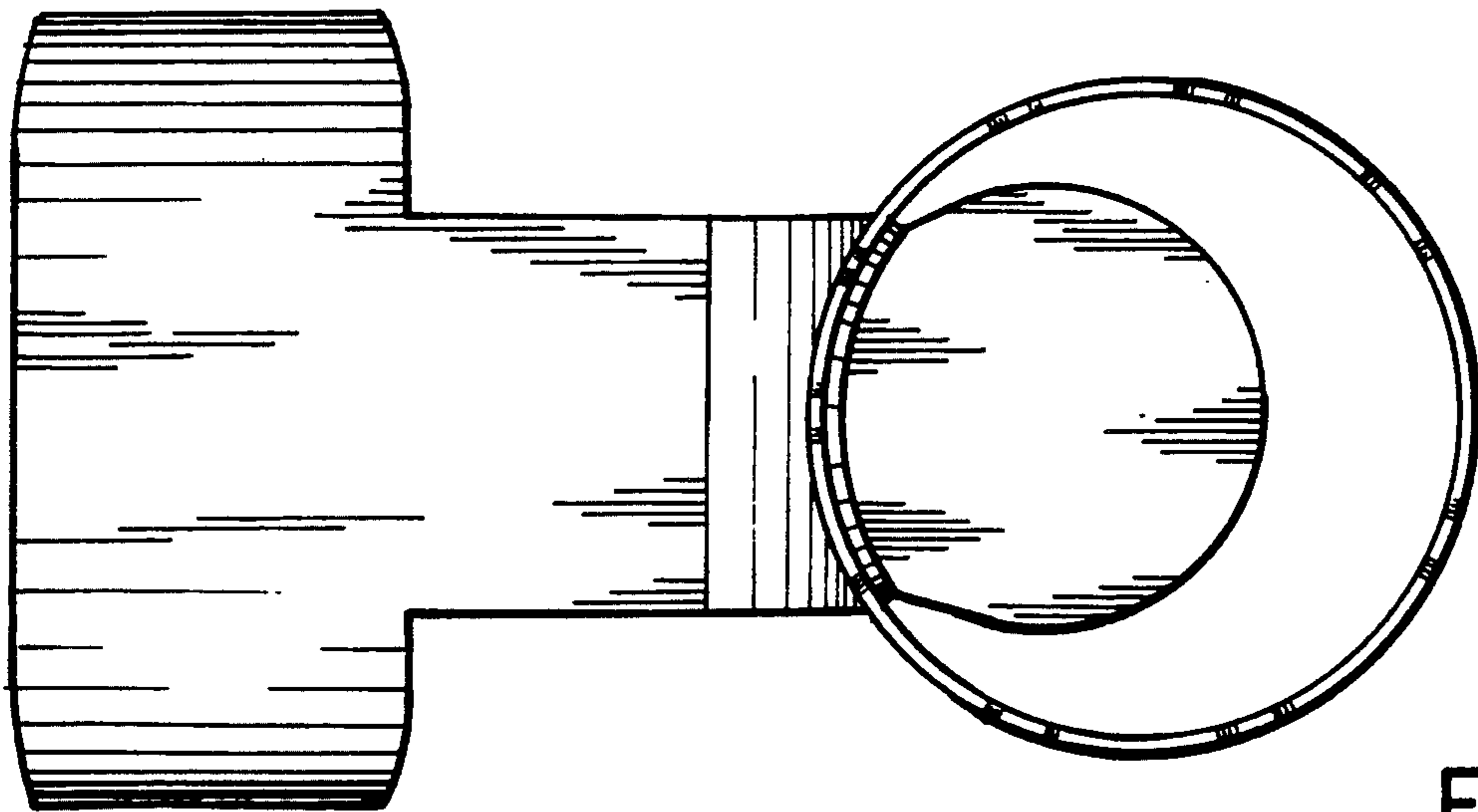


FIG. 4

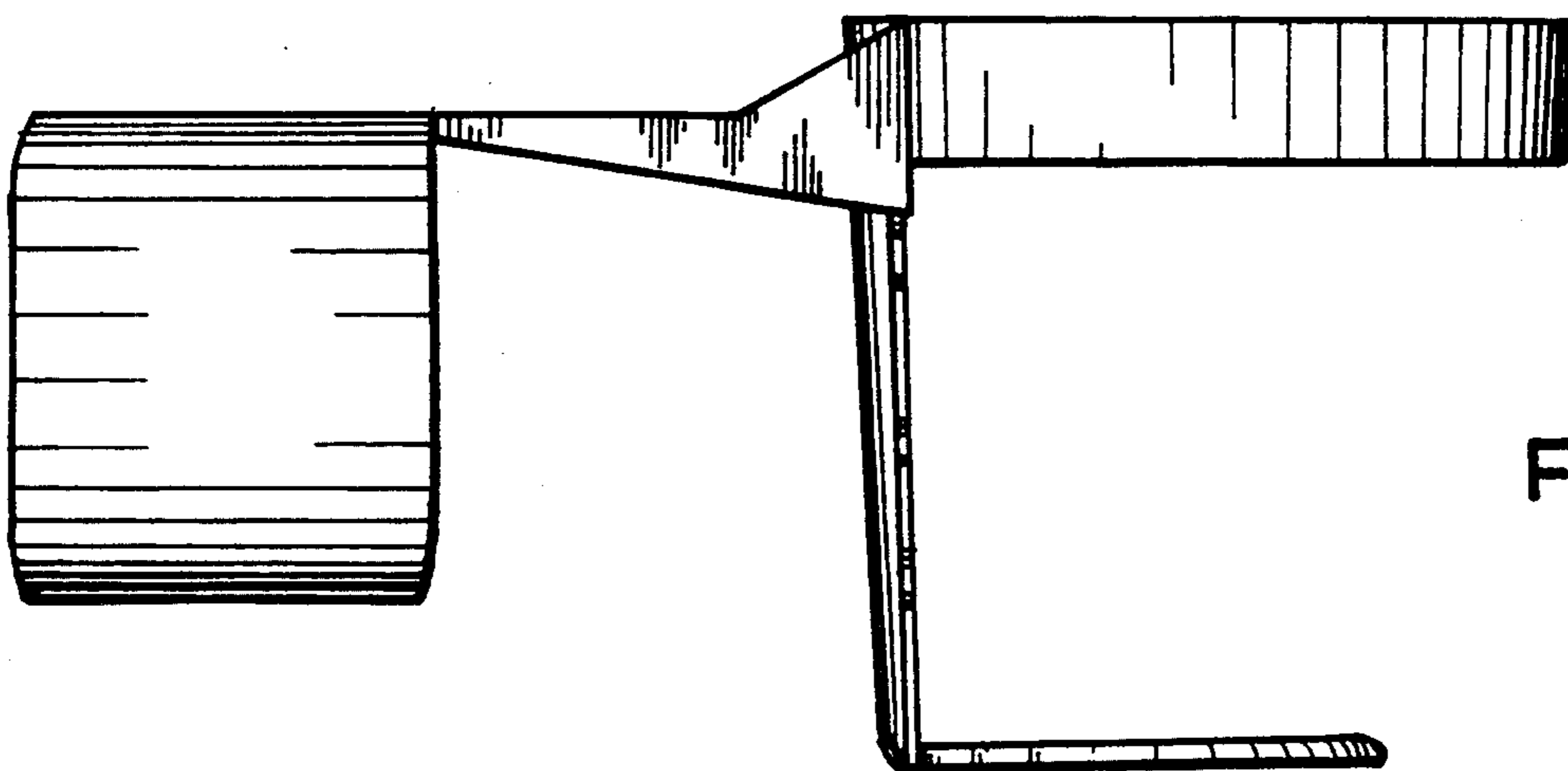


FIG. 5

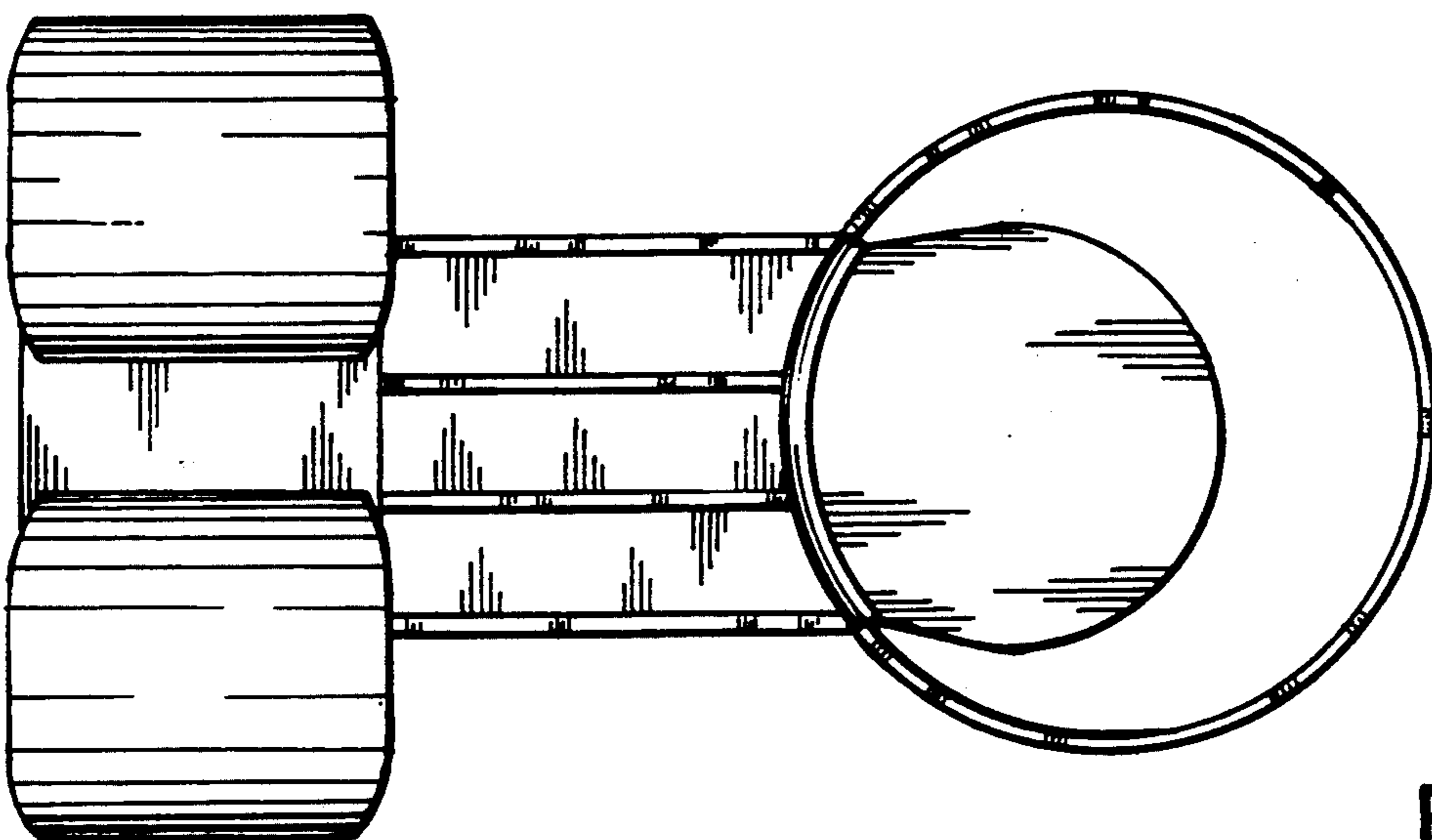


FIG. 6