

[54] CONTAINER HOLDER

[76] Inventor: Richard Sanford, R.D. #1, Box 24, Nineveh, N.Y. 13813

[*] Notice: The portion of the term of this patent subsequent to Jul. 9, 2005 has been disclaimed.

[**] Term: 14 Years

[21] Appl. No.: 298,668

[22] Filed: Jan. 19, 1989

[52] U.S. Cl. D7/616

[58] Field of Search D7/616-619, D7/622; D9/455; 294/159, 160; 248/311.2; 229/DIG. 6, DIG. 7, 1.5 H; D1/102, 105

[56] References Cited

U.S. PATENT DOCUMENTS

1,540,792	6/1925	McLaren et al.	294/159 X
1,659,344	2/1928	Wissman	294/159 X
1,778,425	10/1930	Maddocks et al.	D7/616 X
3,142,425	7/1964	Cobb	294/31.2 X

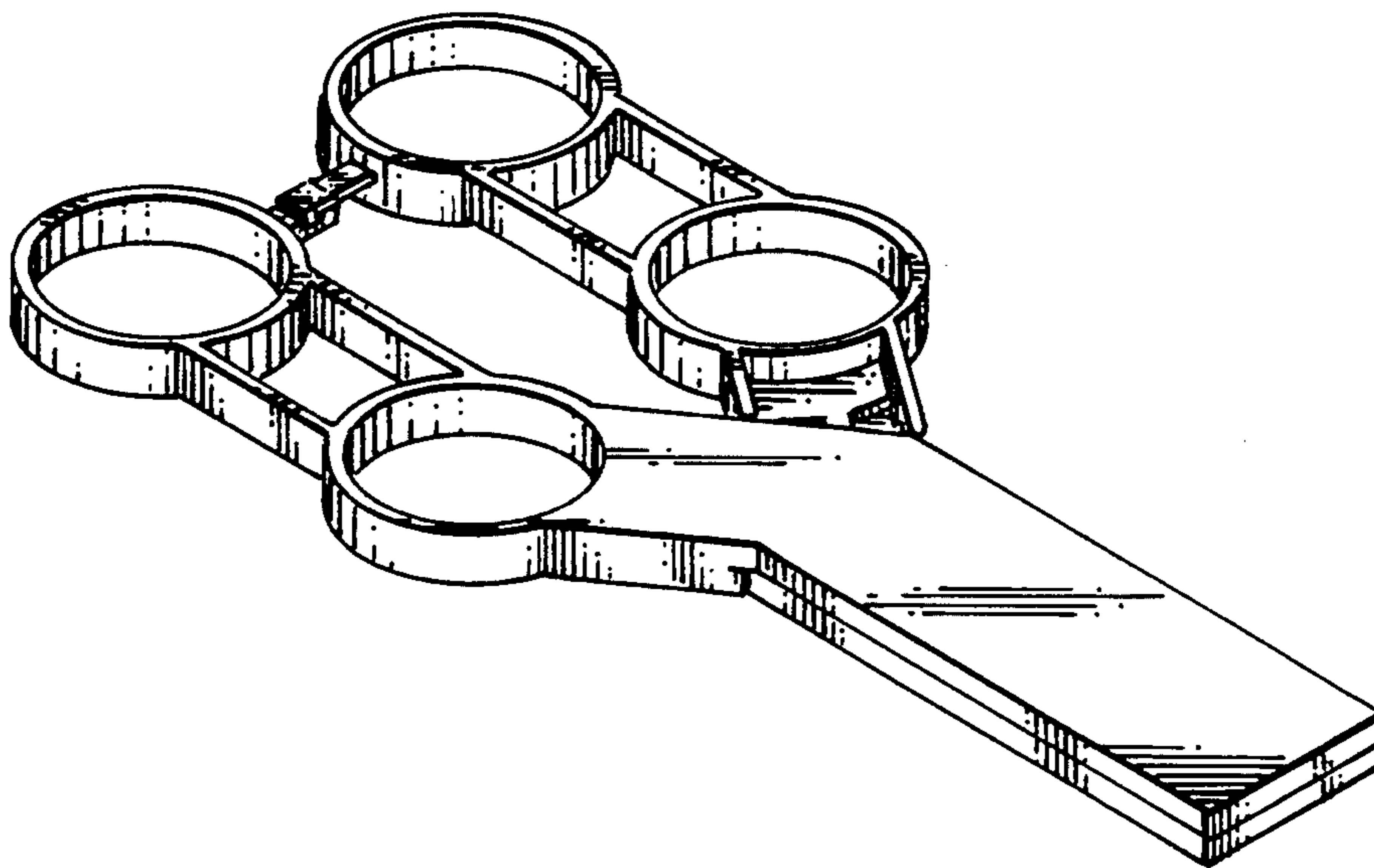
Primary Examiner—Terry A. Pfeffer

[57] CLAIM

The ornamental design for a container holder, as shown.

DESCRIPTION

FIG. 1 is a perspective view of a container holder showing my new design;
 FIG. 2 is a top plan view thereof;
 FIG. 3 is a left side elevational view thereof;
 FIG. 4 is a right side elevational view thereof;
 FIG. 5 is a left end view thereof;
 FIG. 6 is a right end view thereof.



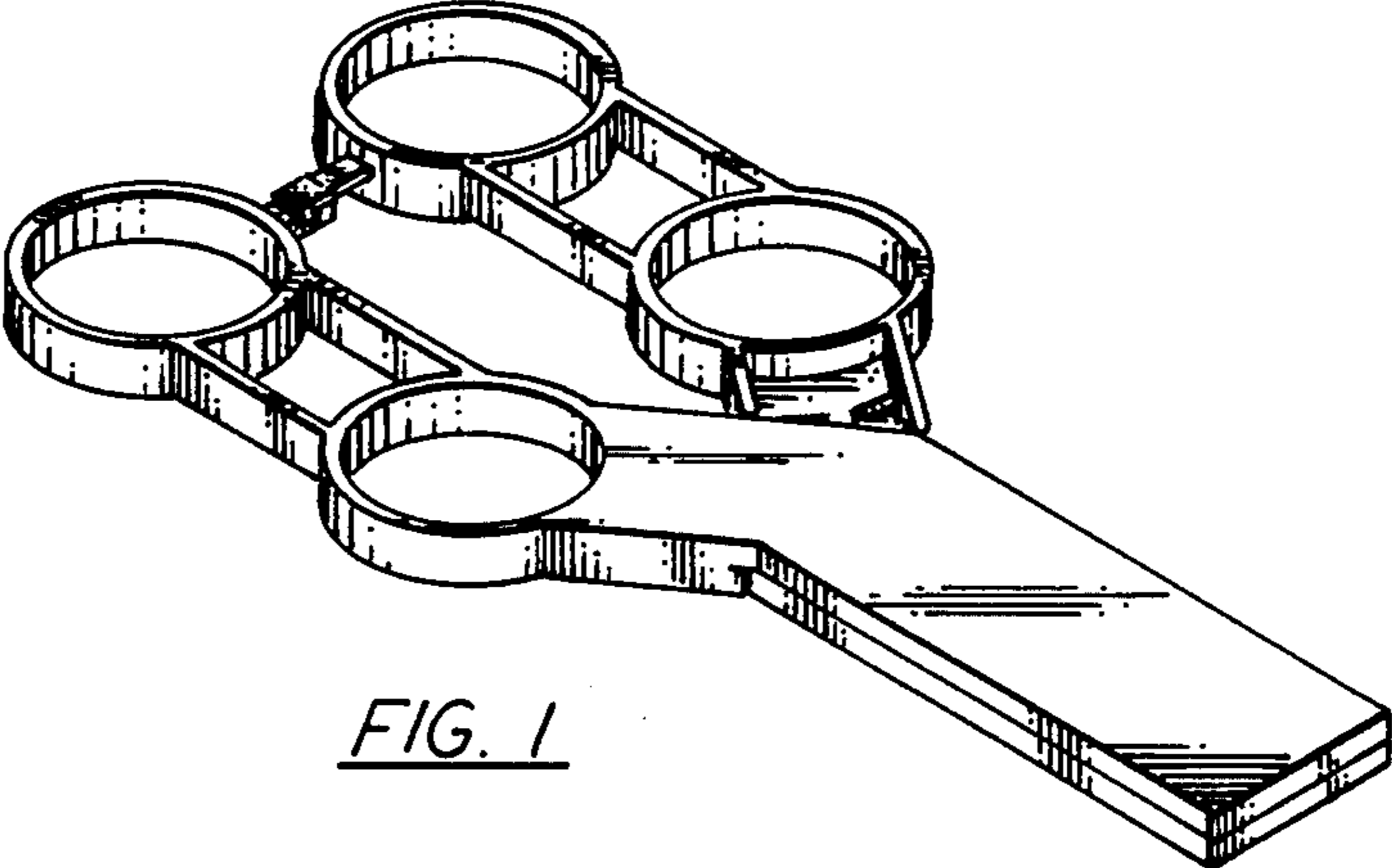


FIG. 1



FIG. 5

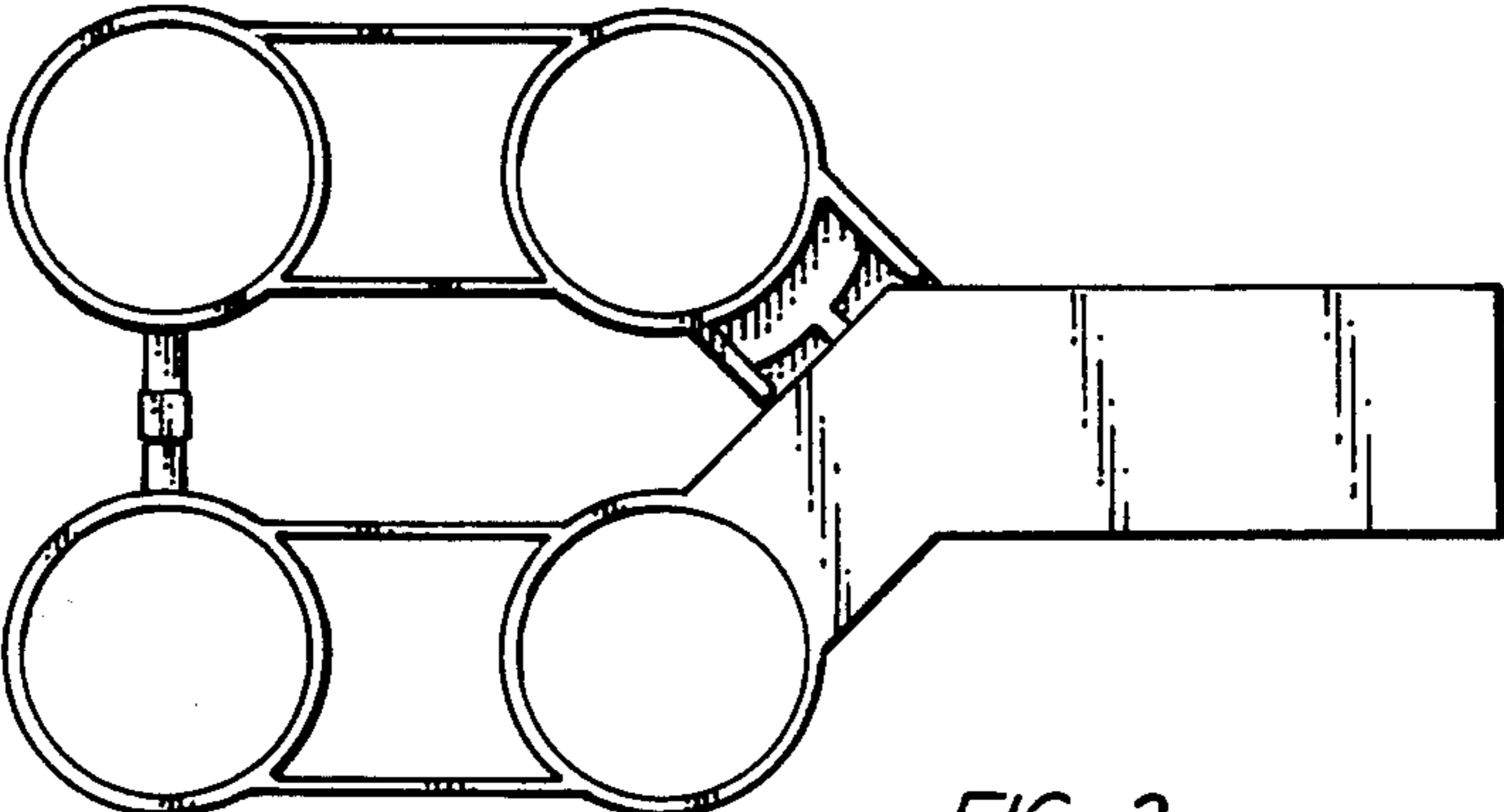


FIG. 2



FIG. 6



FIG. 3



FIG. 4