

[54] FOOD PROCESSOR

[76] Inventor: Robert M. Machuron, 37, rue Louis Desantels, 71230 Saint Vallier, France

[**] Term: 14 Years

[21] Appl. No.: 219,708

[22] Filed: Jul. 8, 1988

[30] Foreign Application Priority Data

Mar. 1, 1988 [FR] France 88 1371

[52] U.S. Cl. D7/384

[58] Field of Search D7/412-415, D7/384, 379, 386, 376, 377, 378, 381, 383, 665, 372, 374, 384, 378, 386; 241/37.5

[56] References Cited

U.S. PATENT DOCUMENTS

D. 214,609 7/1969 Benjamin D7/378
D. 215,680 10/1969 Hanson et al. D7/386

D. 216,237 12/1969 Levin D7/378 X
D. 255,759 7/1980 Ernest D7/378 X
D. 290,676 7/1987 Stutzer et al. D7/384

OTHER PUBLICATIONS

Industrial Design, , Sep. 1974, p. 60, Item #14/top right panel, Waring Blender with "Big Jar" Attachment.

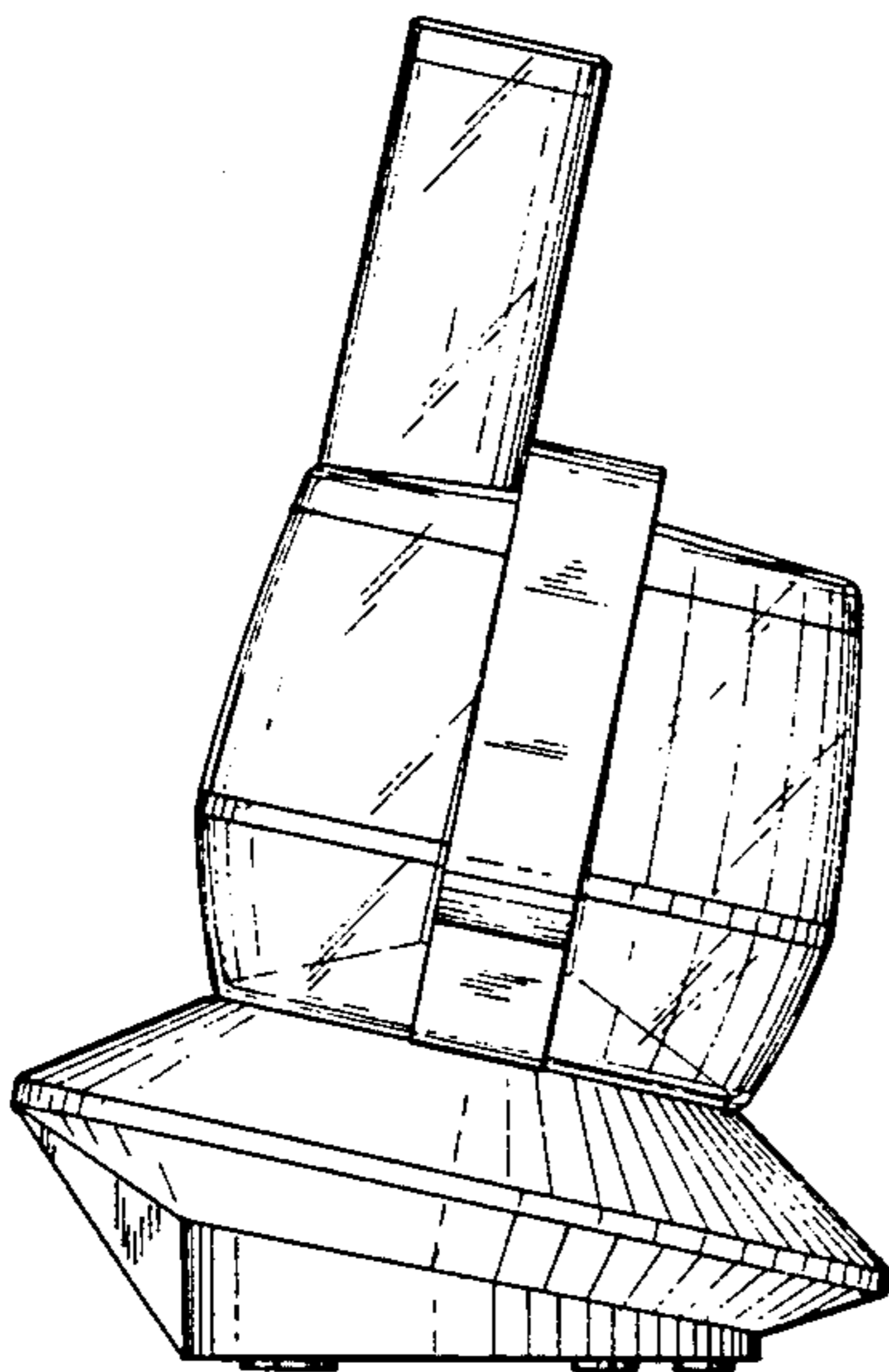
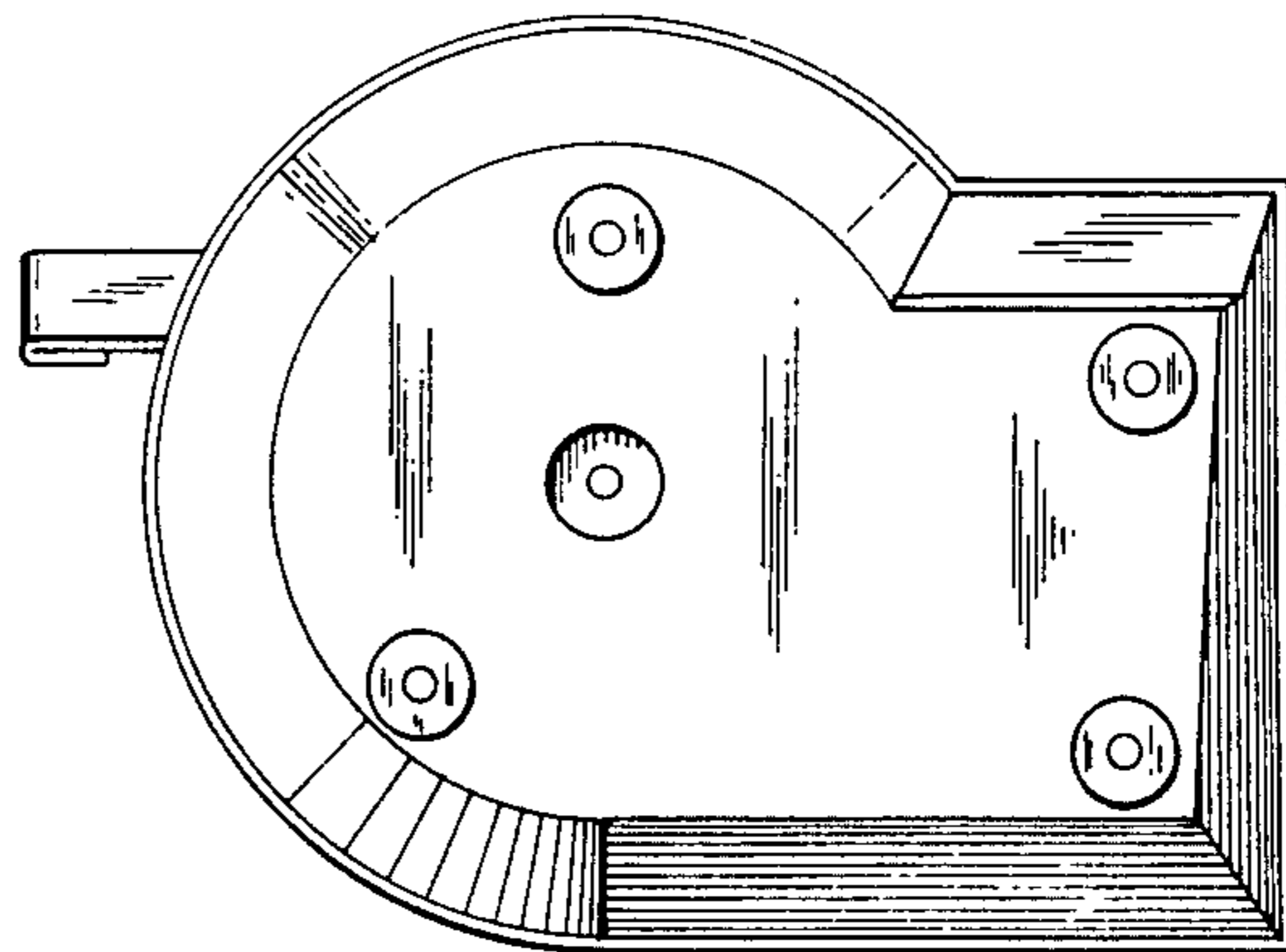
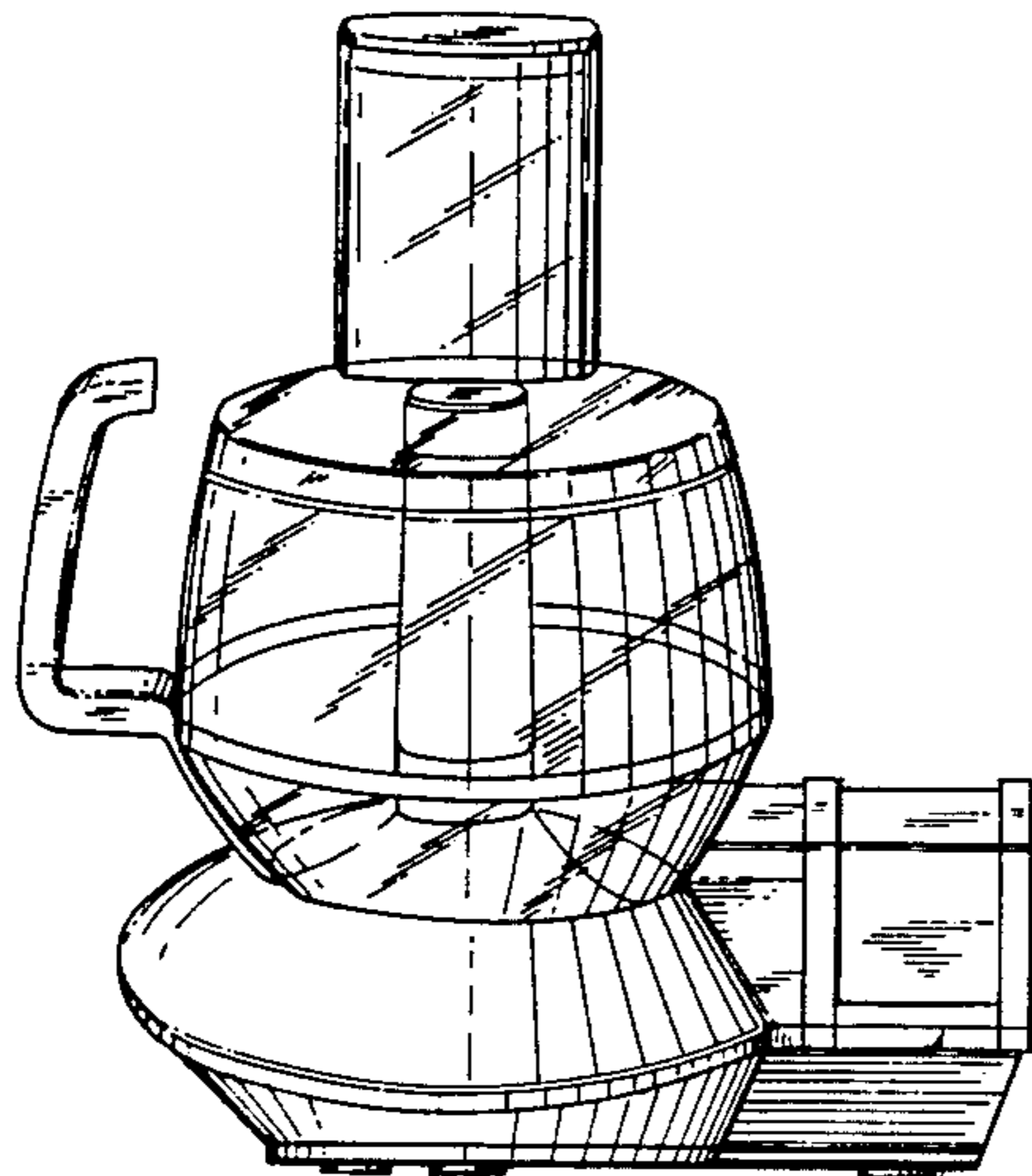
Primary Examiner—Winifred E. Herrmann
Attorney, Agent, or Firm—Laubscher, Presta & Laubscher

[57] CLAIM

The ornamental design for a food processor, as shown.

DESCRIPTION

FIG. 1 is a front elevational view of a food processor showing my new design;
FIG. 2 is a rear elevational view;
FIG. 3 is a left side elevational view;
FIG. 4 is a right side elevational view;
FIG. 5 is a top plan view; and
FIG. 6 is a bottom plan view thereof.



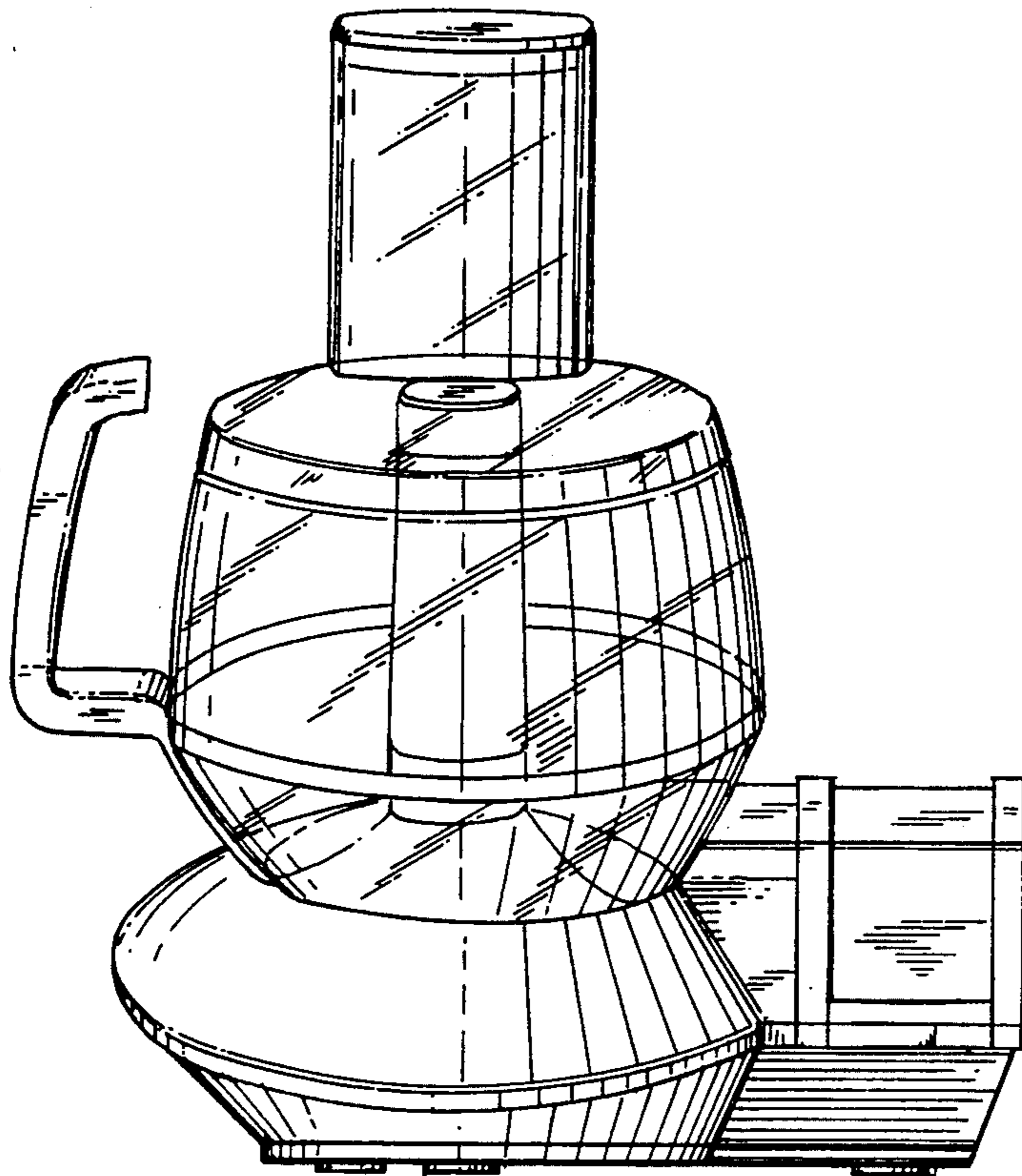
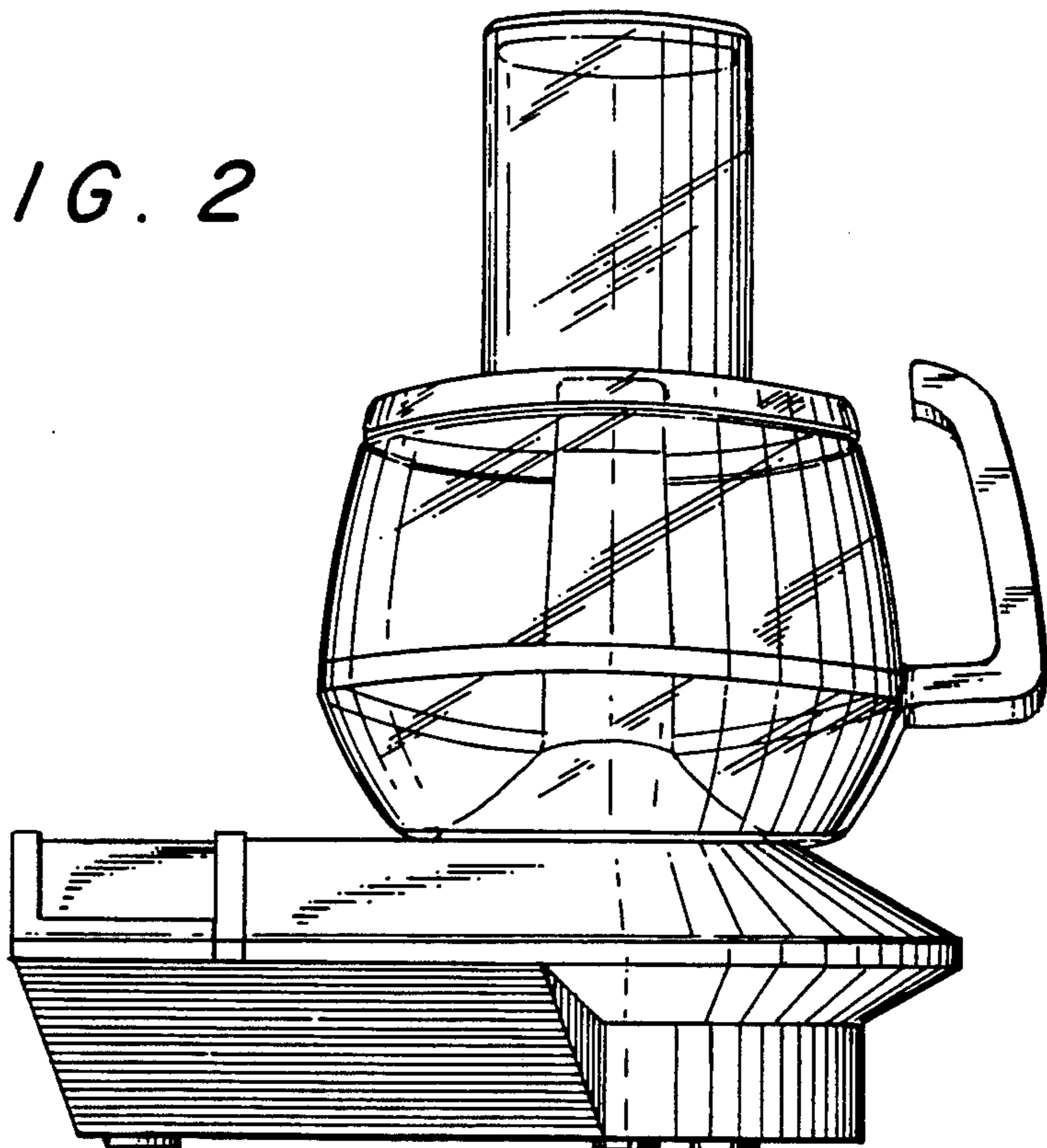


FIG. 1

FIG. 2



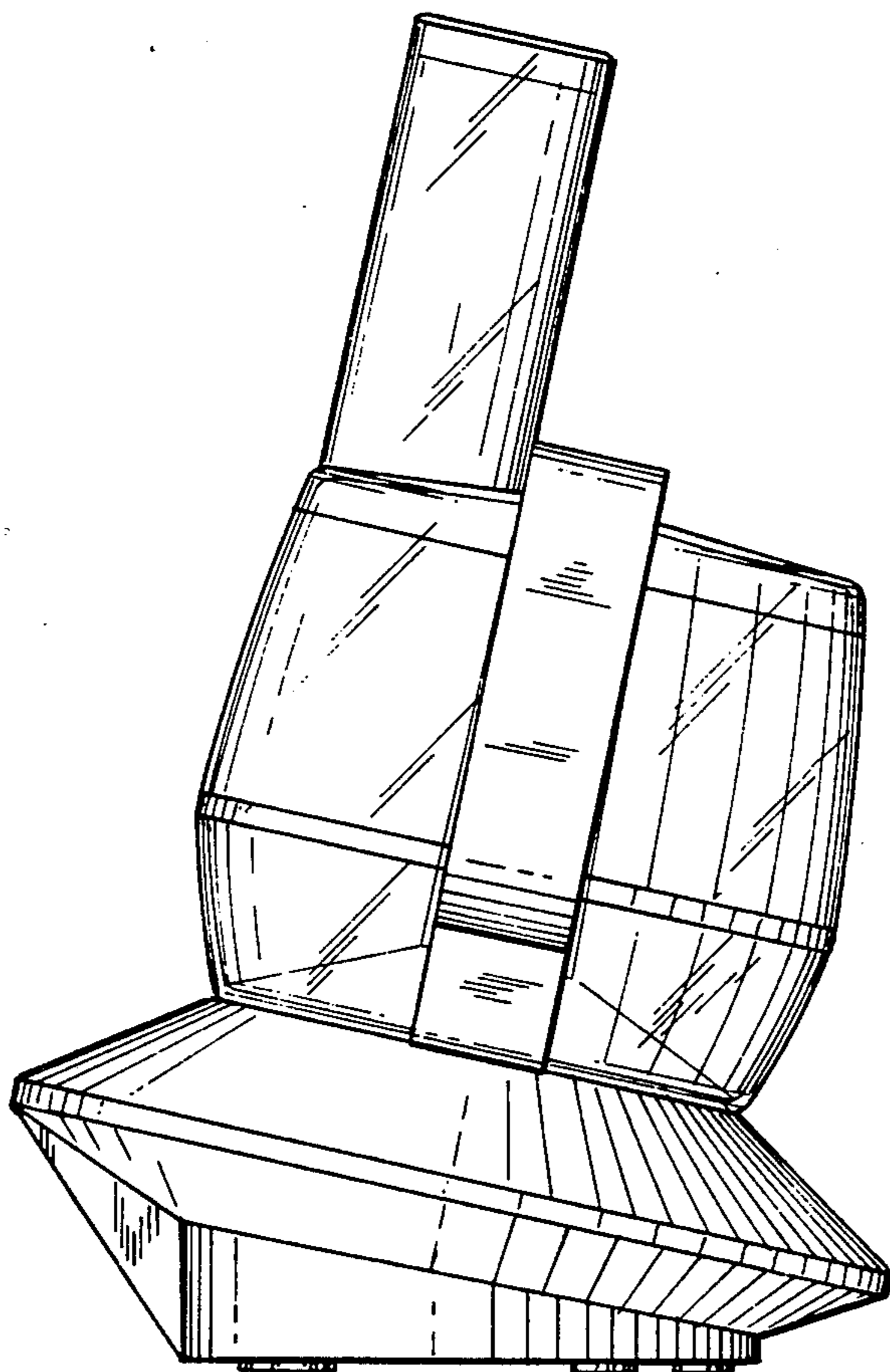


FIG. 3

FIG. 4

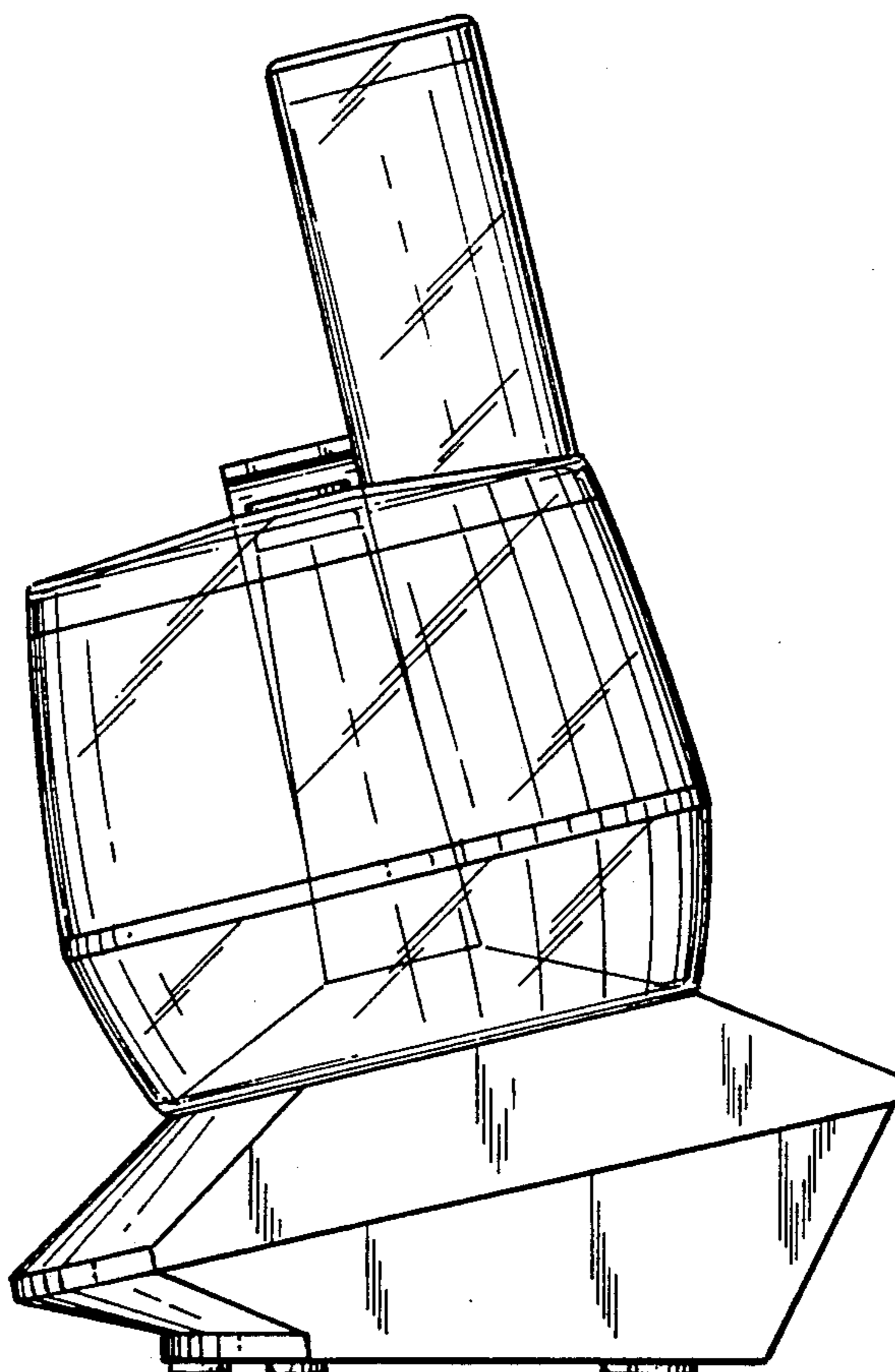


FIG. 5

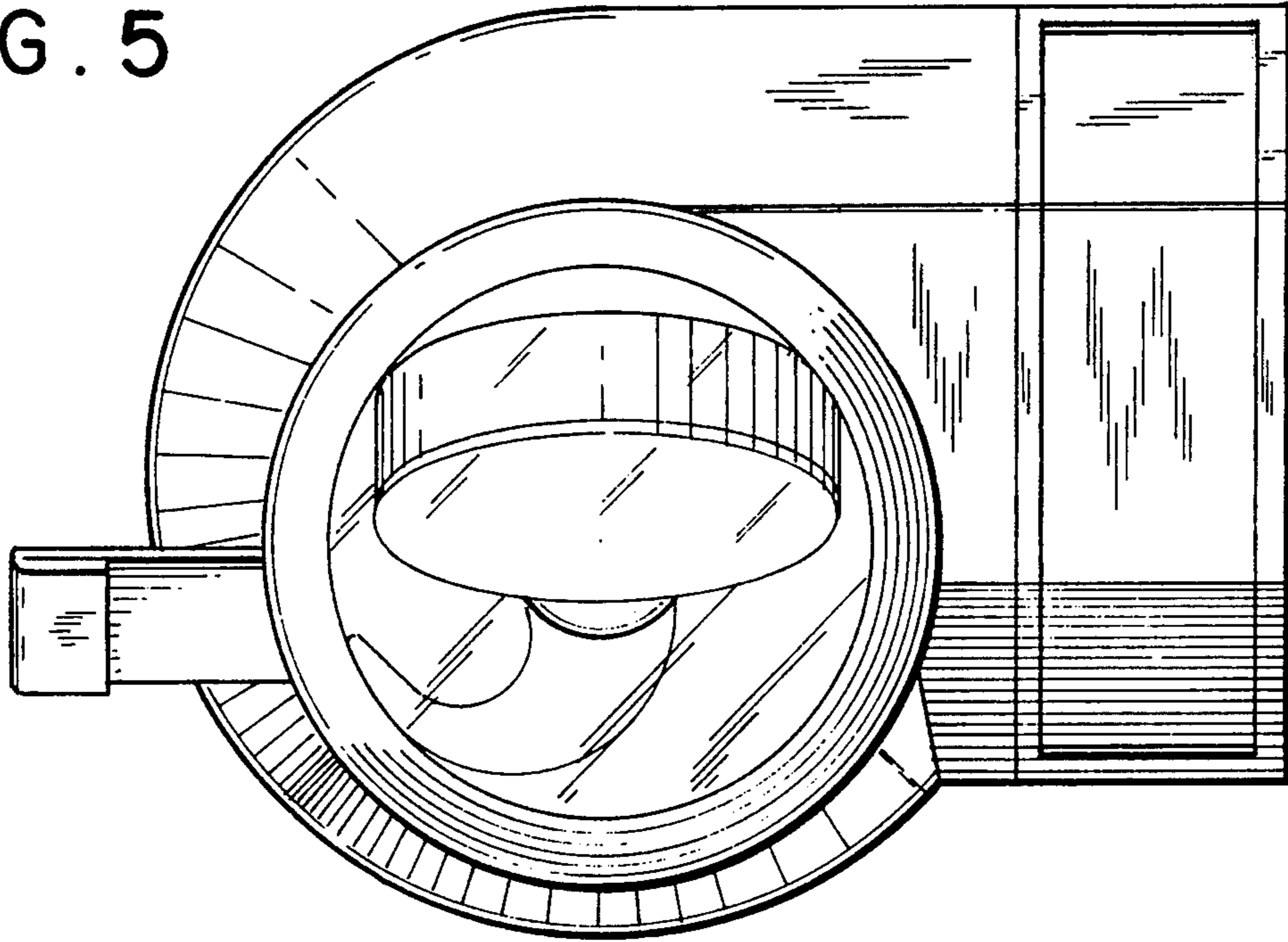


FIG. 6

