

[54] COMBINATION TOWEL BAR AND HOOK UNIT

[76] Inventors: Sheldon H. Goodman, 4079 Princeton Blvd., South Euclid, Ohio 44121; Steven E. Greenhut, 21646 Club Villa Ter., Boca Raton, Fla. 33433

[**] Term: 14 Years

[21] Appl. No.: 397,296

[22] Filed: Aug. 23, 1989

[52] U.S. Cl. D6/569; D6/546; D6/571

[58] Field of Search D6/524, 553, 567, 569-572, D6/323; 211/13, 86-87, 123; 248/201, 205.3, 206.5, 251, 304, 309.1, 339-340; D7/637

[56] References Cited

U.S. PATENT DOCUMENTS

- D. 278,873 5/1985 Thomburgh et al. D6/553 X
- D. 286,964 12/1986 Gecchelin D6/574 X
- D. 314,115 1/1991 Murphy D6/574
- 3,998,332 12/1976 Lambertson 211/13

OTHER PUBLICATIONS

Retailing Home Furnishings (1/9/78) p. 94—Kitchen Utensil Rack.

Primary Examiner—Brian N. Vinsn
Attorney, Agent, or Firm—Pearne, Gordon, McCoy & Granger

[57] CLAIM

The ornamental design for a combinatino towel bar and hook unit, as shown and described.

DESCRIPTION

FIG. 1 is a top, front, and left side perspective view of a combination towel bar and hook unit showing our new design;

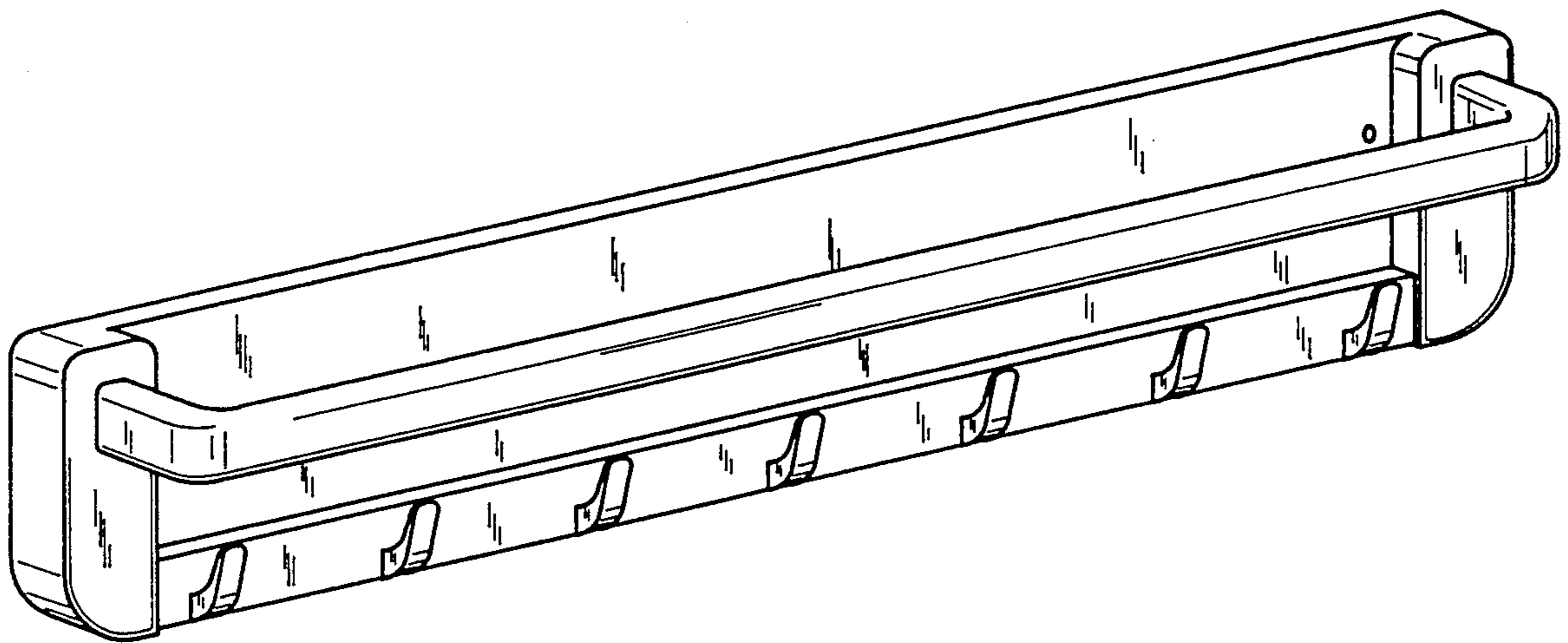
FIG. 2 is a top plan view thereof;

FIG. 3 is a front elevational view thereof;

FIG. 4 is a right side elevational view thereof, the left side elevational view being a mirror image;

FIG. 5 is a rear elevational view thereof; and

FIG. 6 is a vertical cross-sectional view thereof, taken along line 6—6 of FIG. 3.



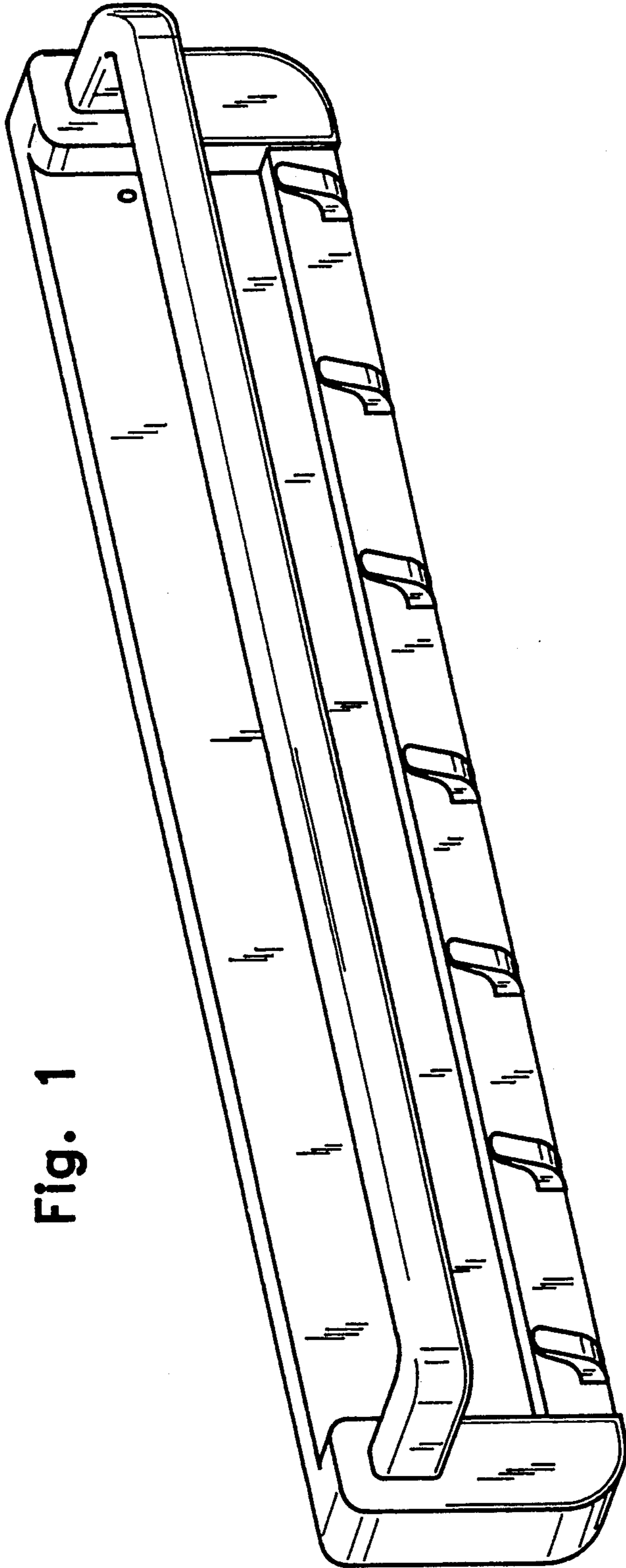


Fig. 1

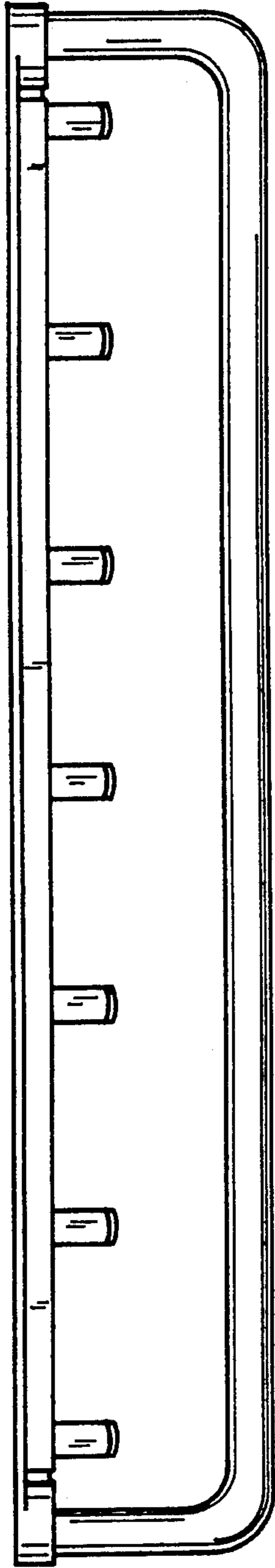


Fig. 2

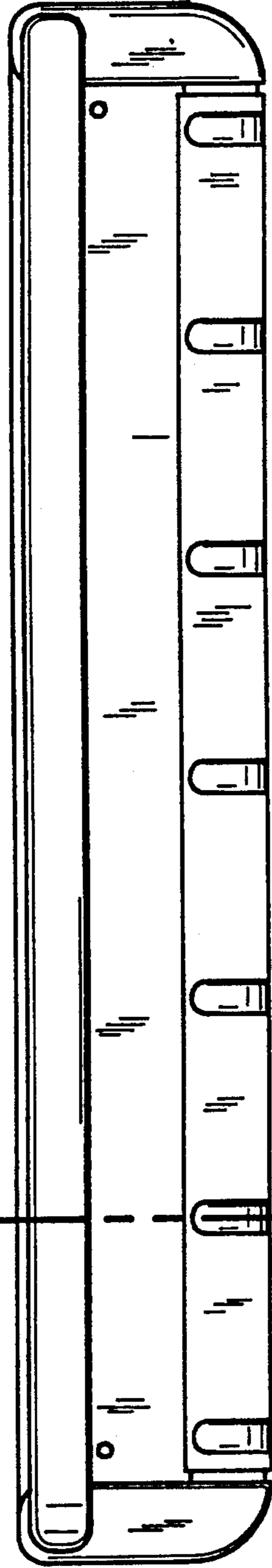


Fig. 3

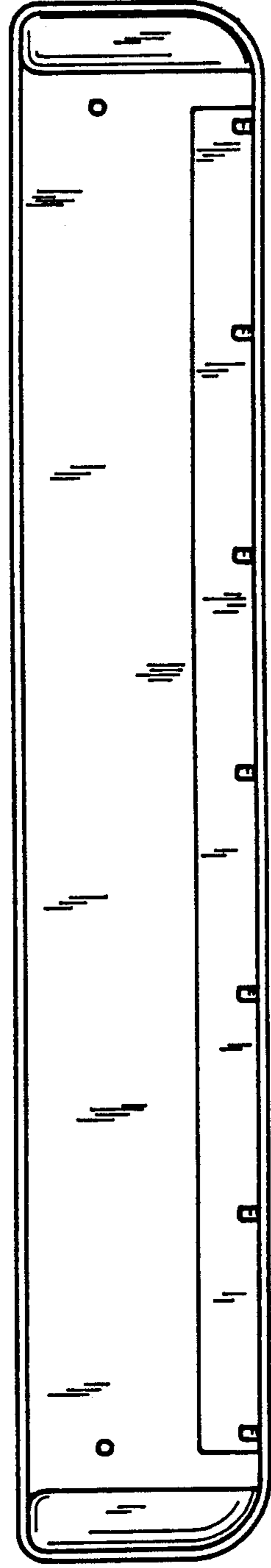


Fig. 5

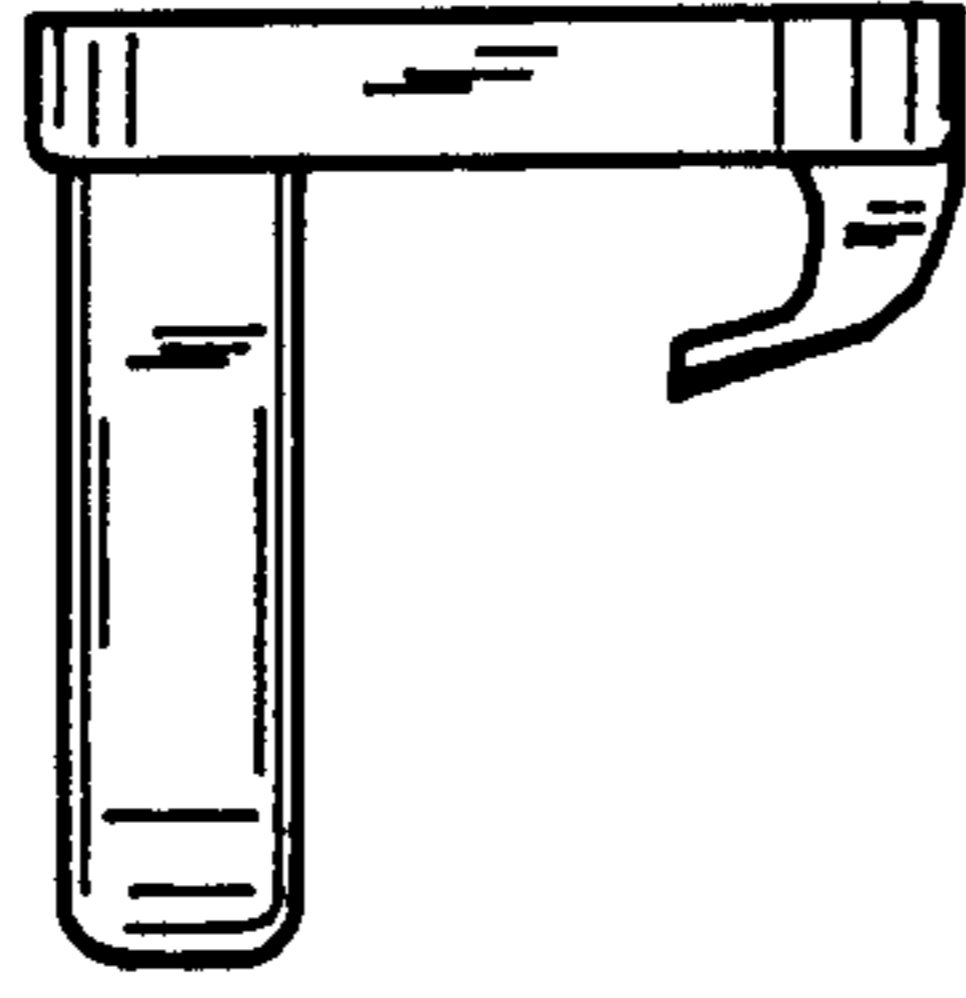


Fig. 4

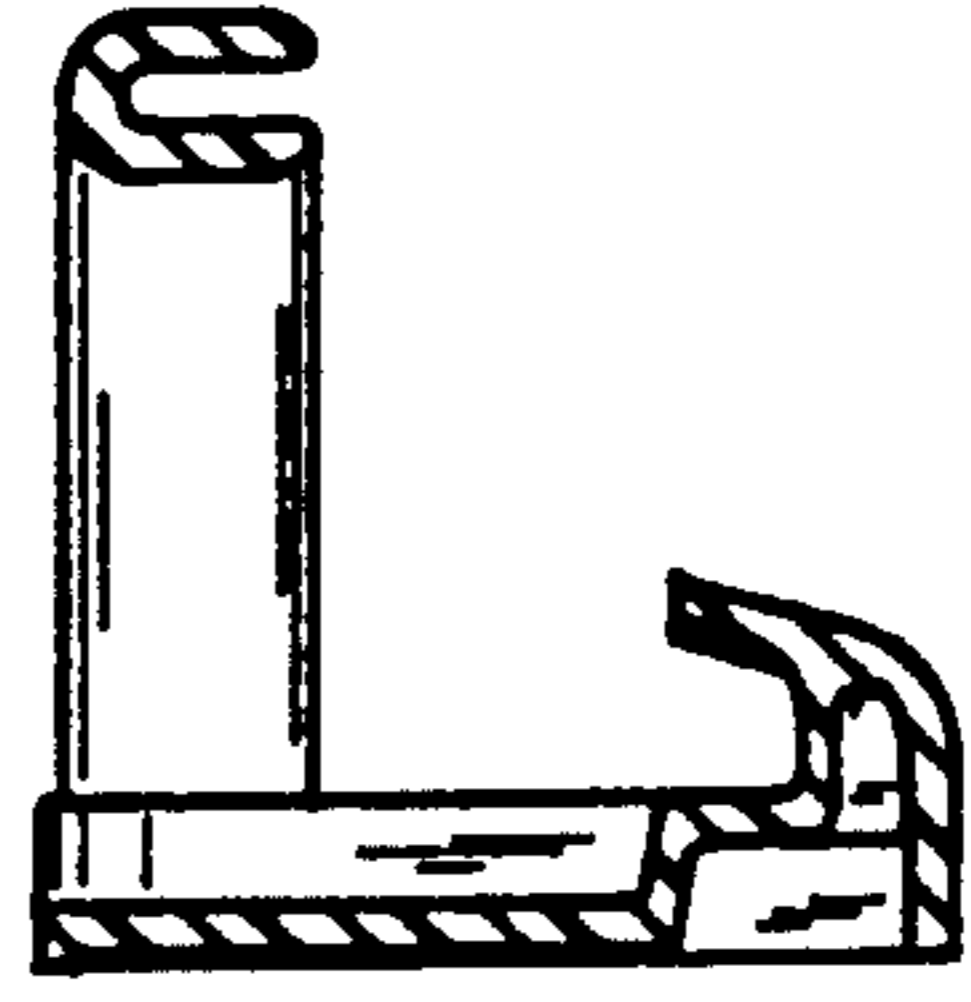


Fig. 6