

[54] COMBINED FOOD PROCESSOR, BLENDER JAR AND HOLDER THEREFOR

D. 287,810 1/1987 Osit D7/376 X

[75] Inventor: William J. O'Brien, Sydney, Australia

[73] Assignee: Breville R & D PTY Limited, Australia

[**] Term: 14 Years

[21] Appl. No.: 272,021

[22] Filed: Nov. 15, 1988

[52] U.S. Cl. D7/384; D7/412; D7/413; D7/616

[58] Field of Search D7/614, 616, 381, 383, D7/384, 386, 368, 372, 373, 376-378, 412-415, 665

[56] References Cited

U.S. PATENT DOCUMENTS

- D. 182,689 4/1958 Rutan D7/386
- D. 191,152 8/1961 Rawson et al. D7/378
- D. 209,493 12/1967 LeSueur et al. D7/378

OTHER PUBLICATIONS

Good Housekeeping, Nov. 1981, p. 236, Five-in-One Food Preparation System by West Bend, Blender Container Jar Shown.

Primary Examiner—Winifred E. Herrmann
Attorney, Agent, or Firm—Nixon & Vanderhye

[57] CLAIM

The ornamental design for a combined food processor, blender jar and holder therefor, as shown and described.

DESCRIPTION

FIG. 1 is a front perspective view of a combined food processor, blender jar and holder thereof showing my new design;

FIG. 2 is a top plan view thereof;

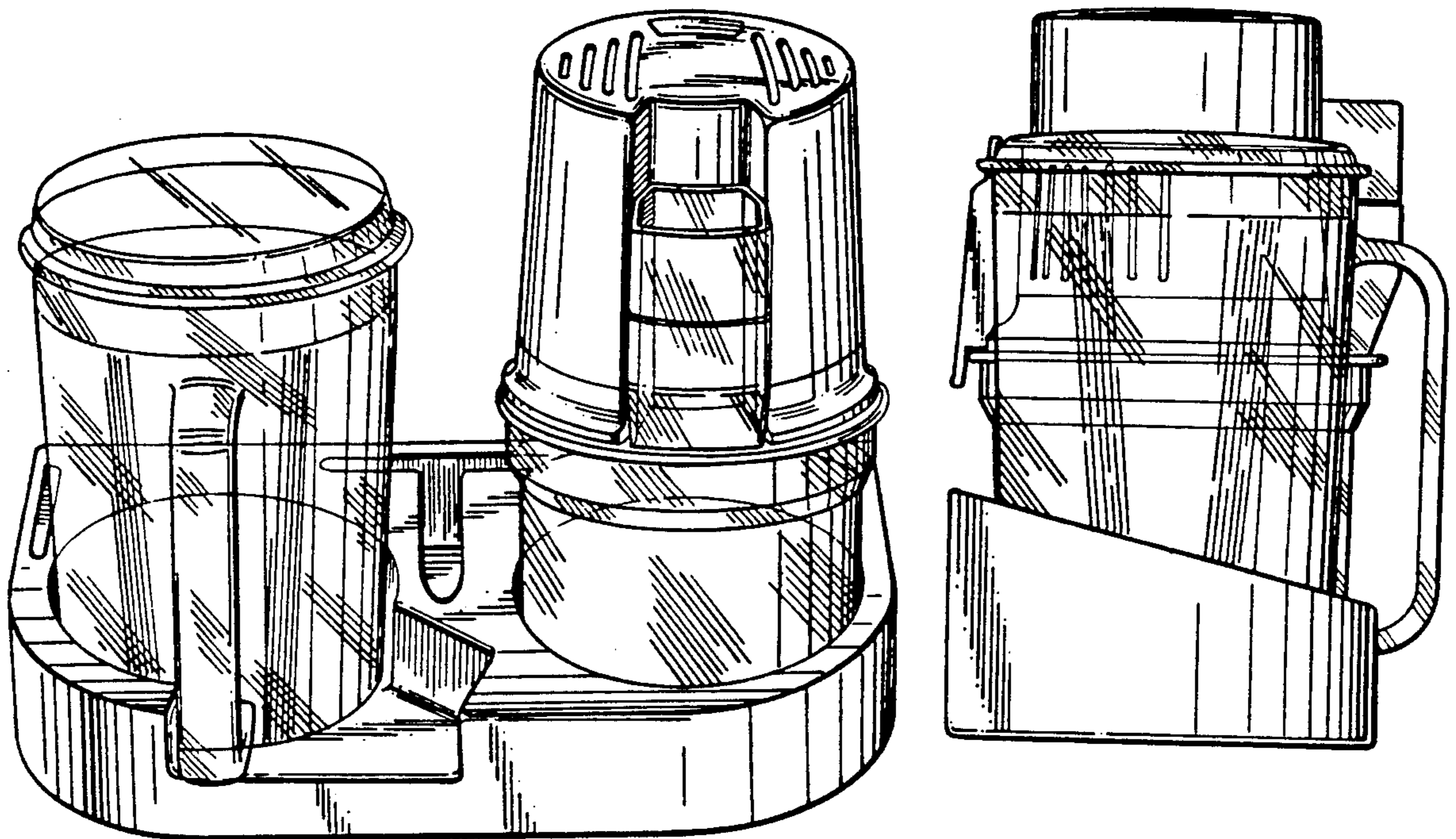
FIG. 3 is a bottom plan view thereof;

FIG. 4 is a front elevational view thereof;

FIG. 5 is a rear elevational view thereof;

FIG. 6 is a left side elevational view thereof; and

FIG. 7 is a right side elevational view thereof.



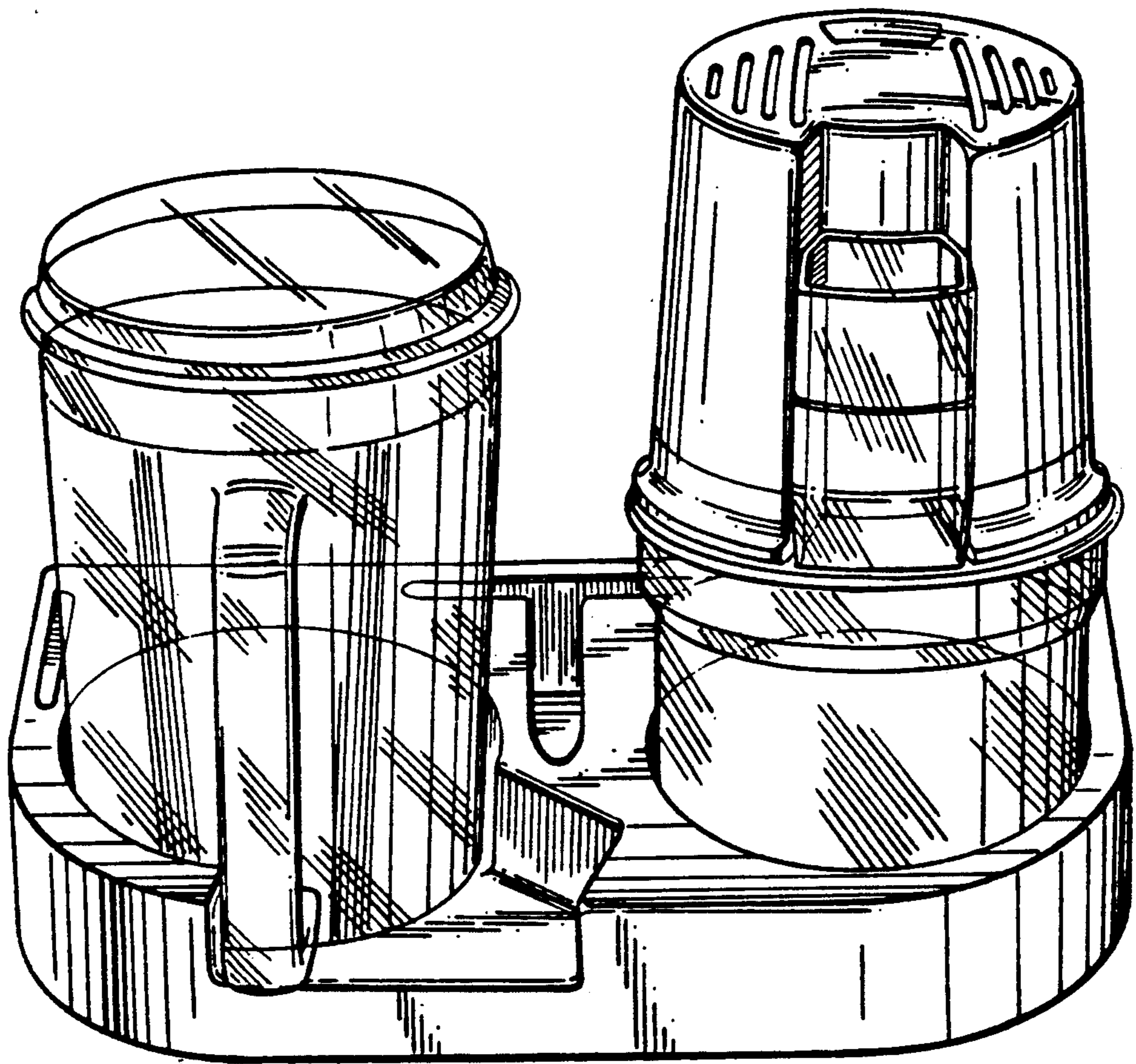
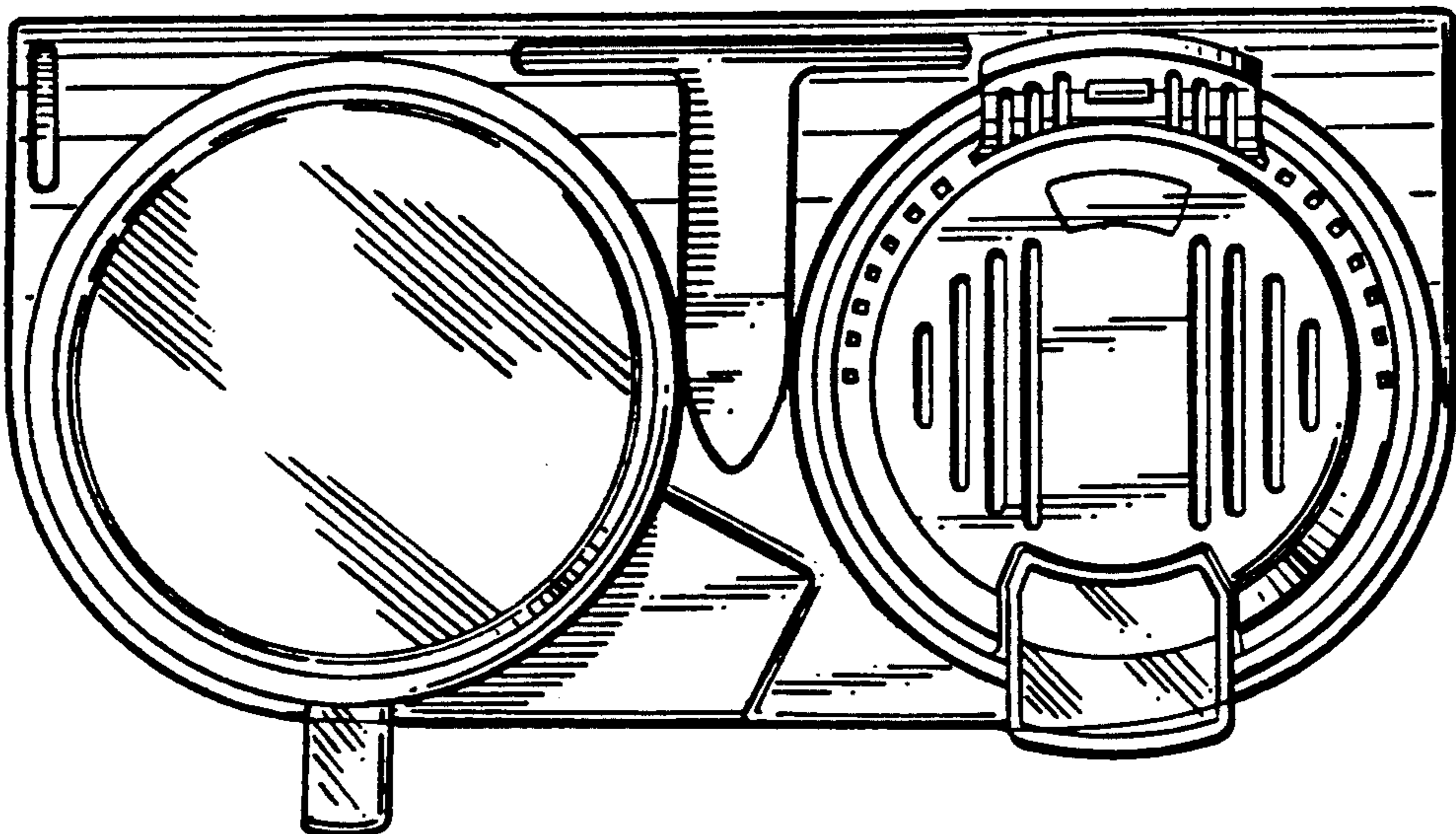


FIG. 1

FIG. 2



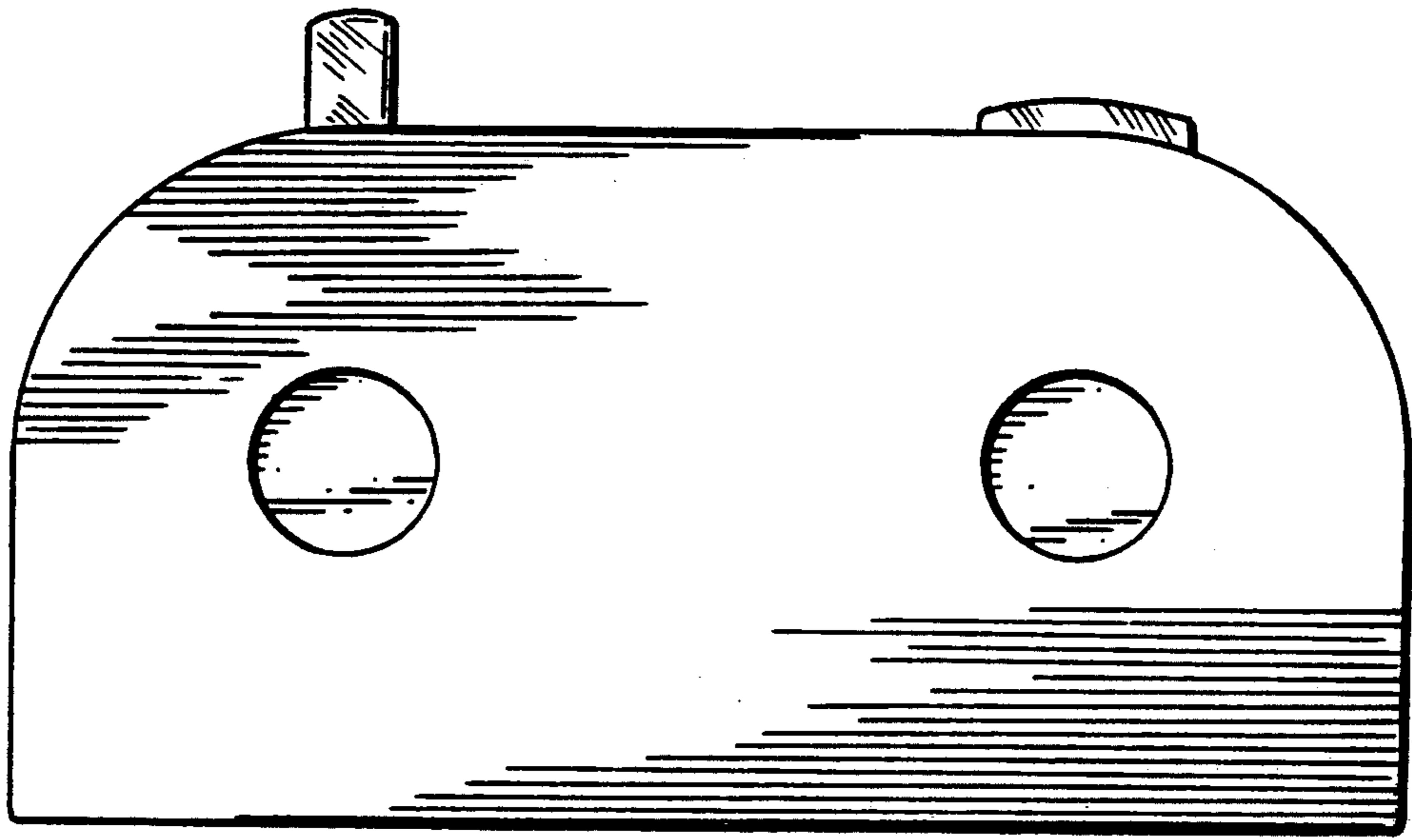


FIG. 3

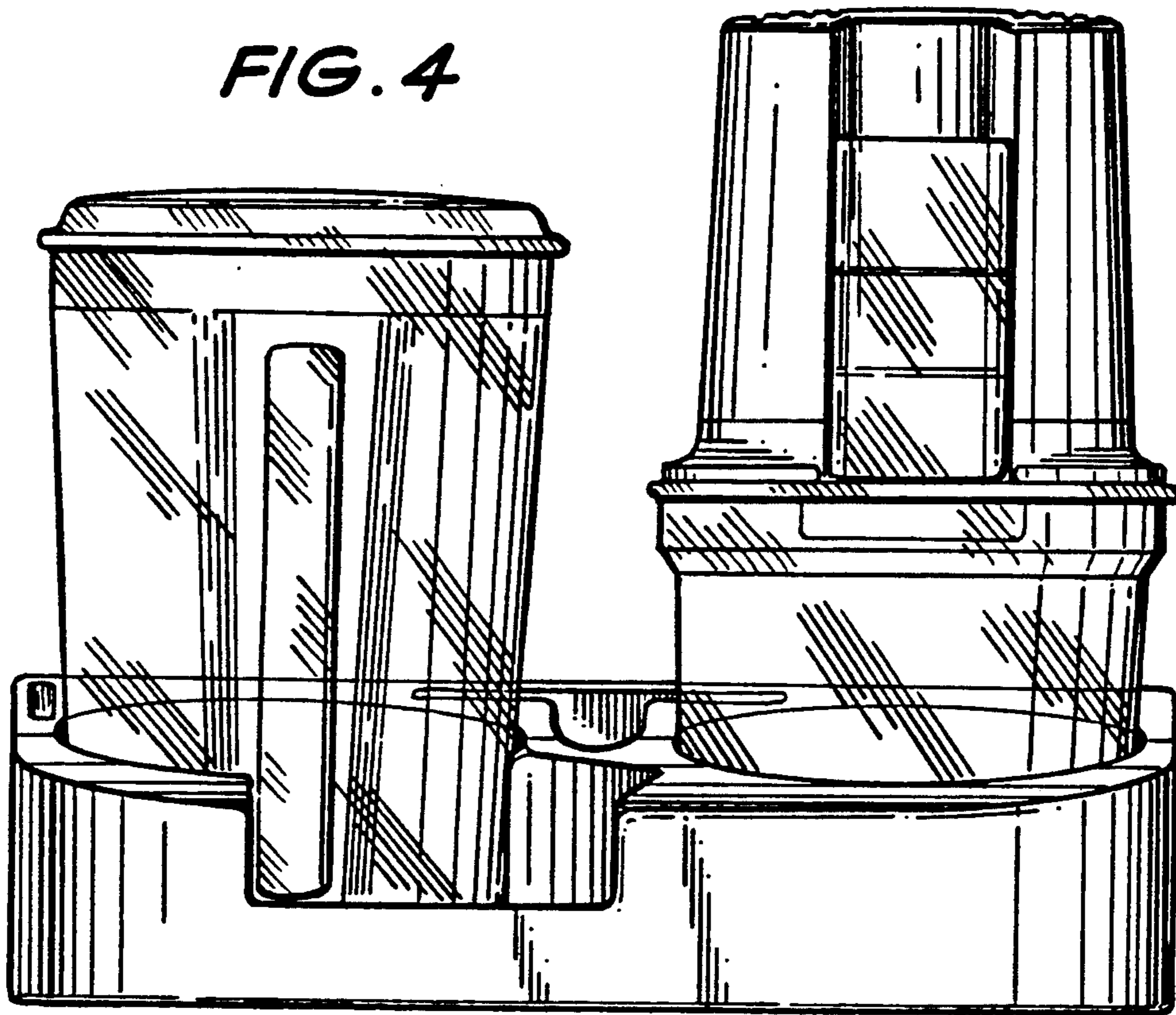


FIG. 4

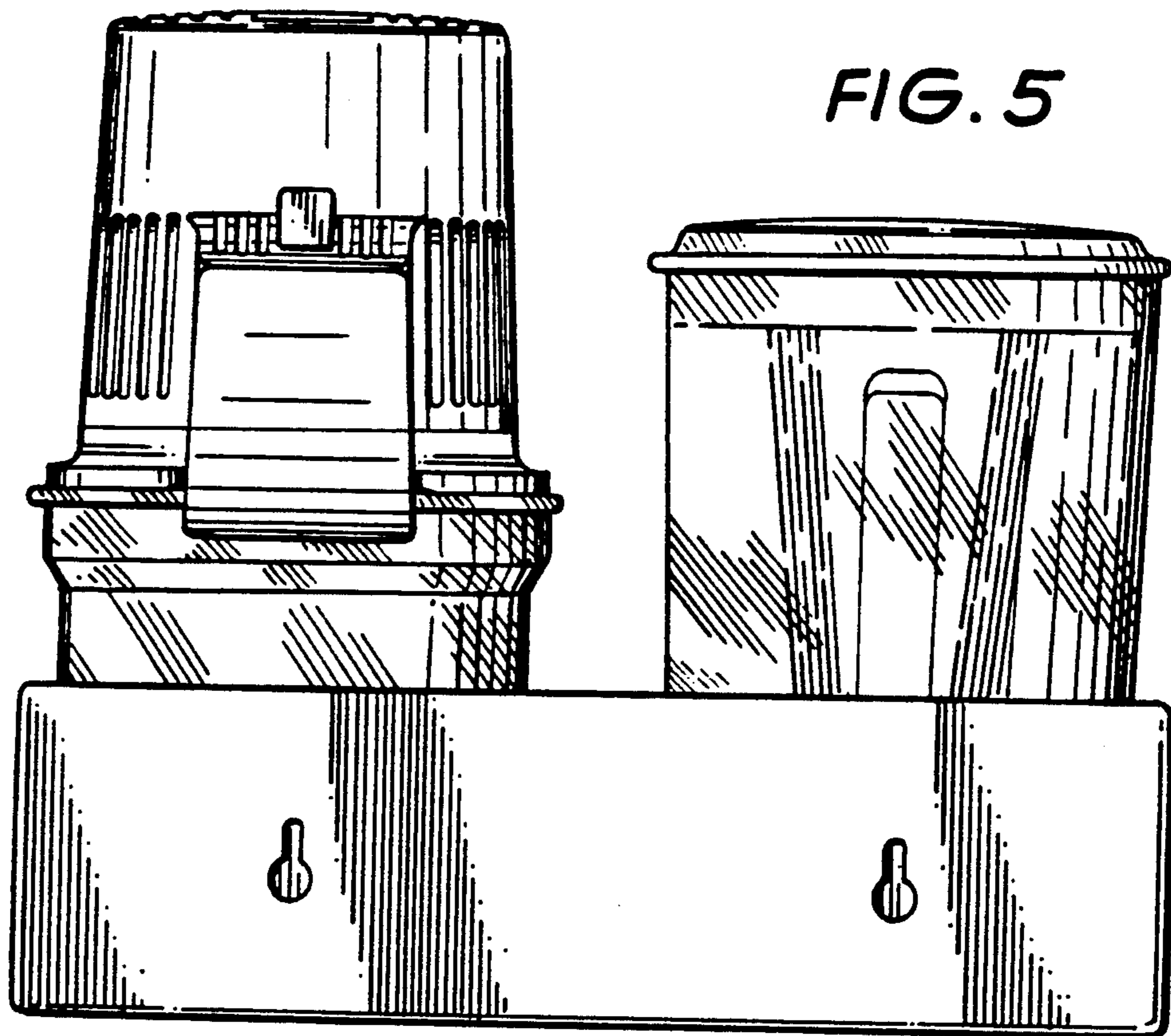


FIG. 6

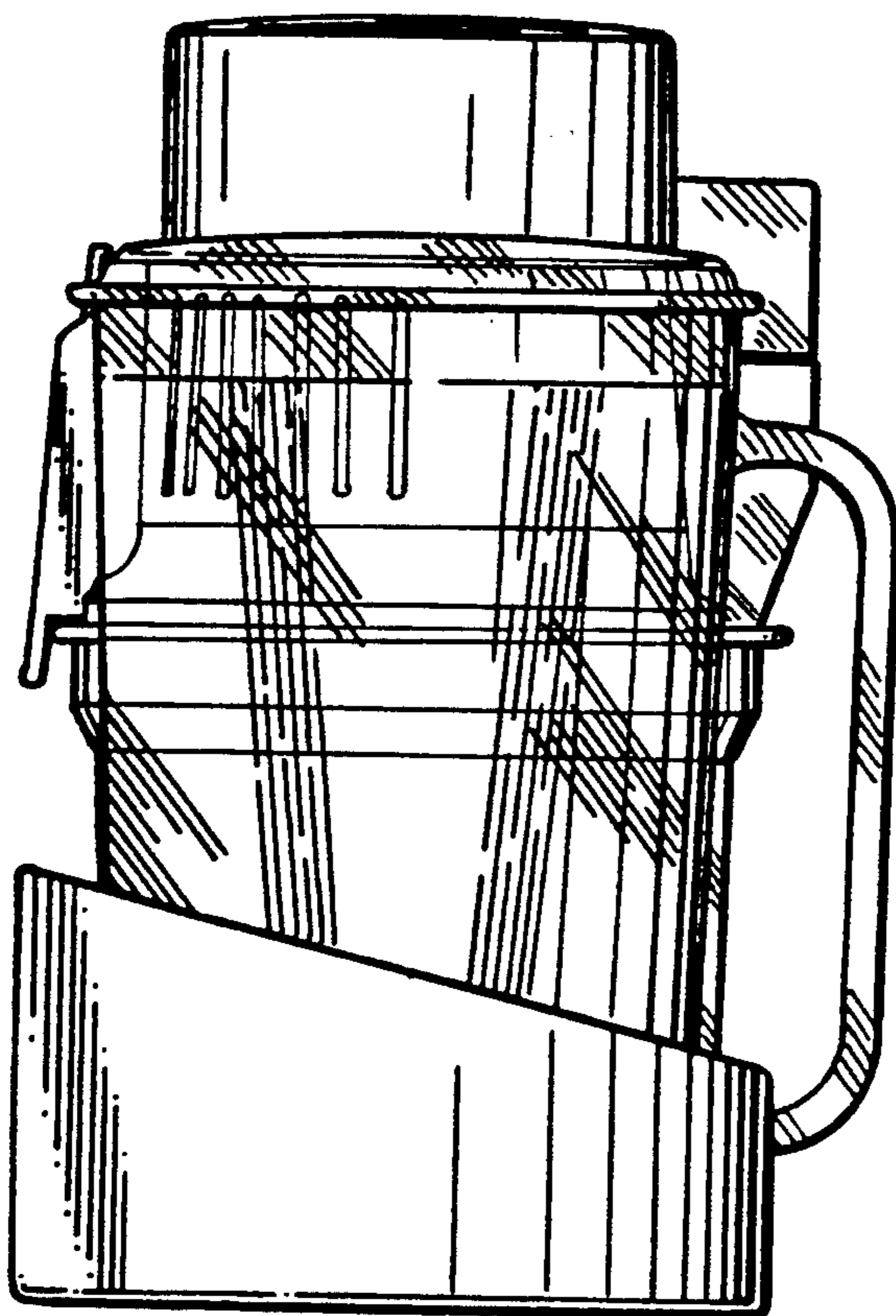


FIG. 7

