

[54] SLIDING ORGANIZER RACK

[76] Inventors: Steven E. Greenhut, 21646 Club Villa Ter., Boca Raton, Fla. 33433; Sheldon H. Goodman, 4079 Princeton Blvd., South Euclid, Ohio 44121

[**] Term: 14 Years

[21] Appl. No.: 406,742

[22] Filed: Sep. 13, 1989

[52] U.S. Cl. D6/513

[58] Field of Search D6/512-514, D6/315, 327, 13; 211/60.1, 66, 70.6, 71, 86, 113, 162; 224/42.46 R; 248/317, 323, 339-340

[56] References Cited

U.S. PATENT DOCUMENTS

- D. 174,489 4/1955 Brown D6/514
- D. 273,645 5/1984 McEvers D6/513
- 3,897,122 7/1975 McEvers 211/13

Primary Examiner—Brian N. Vinson
Attorney, Agent, or Firm—Pearne, Gordon, McCoy & Granger

[57] CLAIM

The ornamental design for a sliding organizer rack, as shown and described.

DESCRIPTION

FIG. 1 is a bottom, front, and left side perspective view of a sliding organizer rack showing our new design, the partial broken-line depiction of a shelf being for illustrative purposes only and forming no part of the claimed design;

FIG. 2 is a bottom plan view thereof;

FIG. 3 is a right side elevational view thereof;

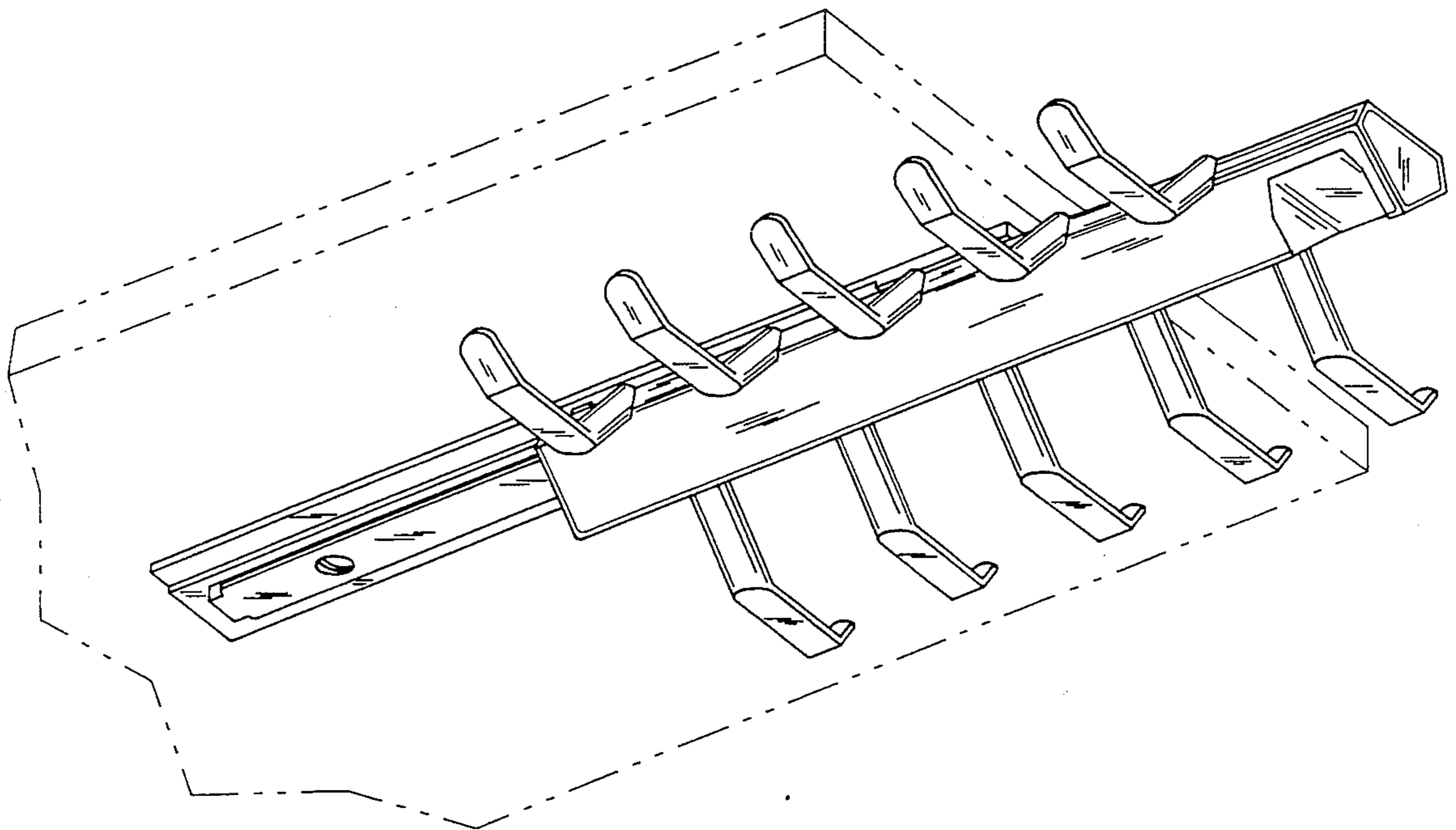
FIG. 4 is a front end elevational view thereof;

FIG. 5 is a top plan view thereof;

FIG. 6 is a right side elevational view thereof; and

FIG. 7 is a rear end elevational view thereof.

The rack is shown in its partially extended position in FIG. 1, but fully retracted in the remaining figures.



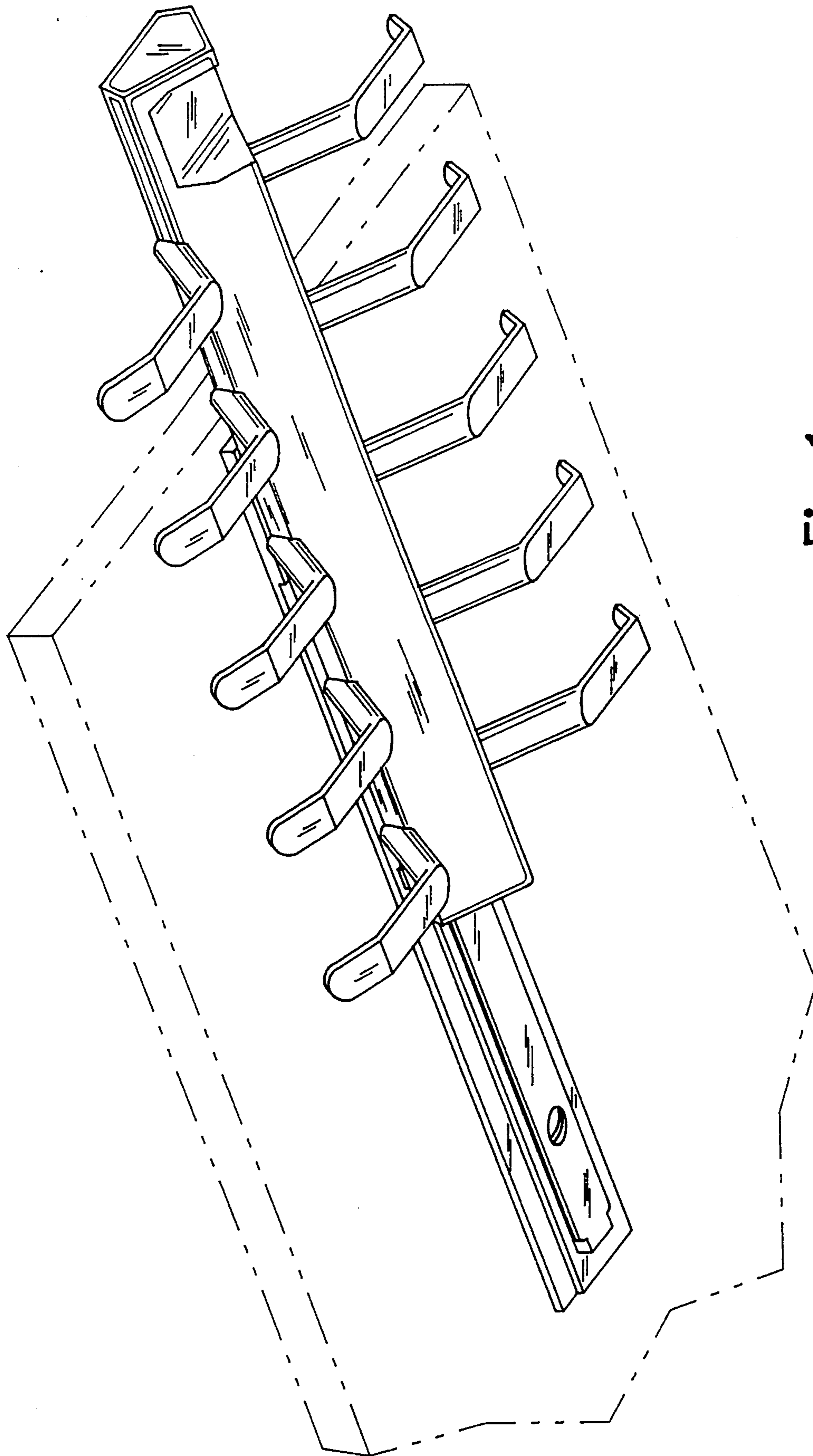


Fig. 1

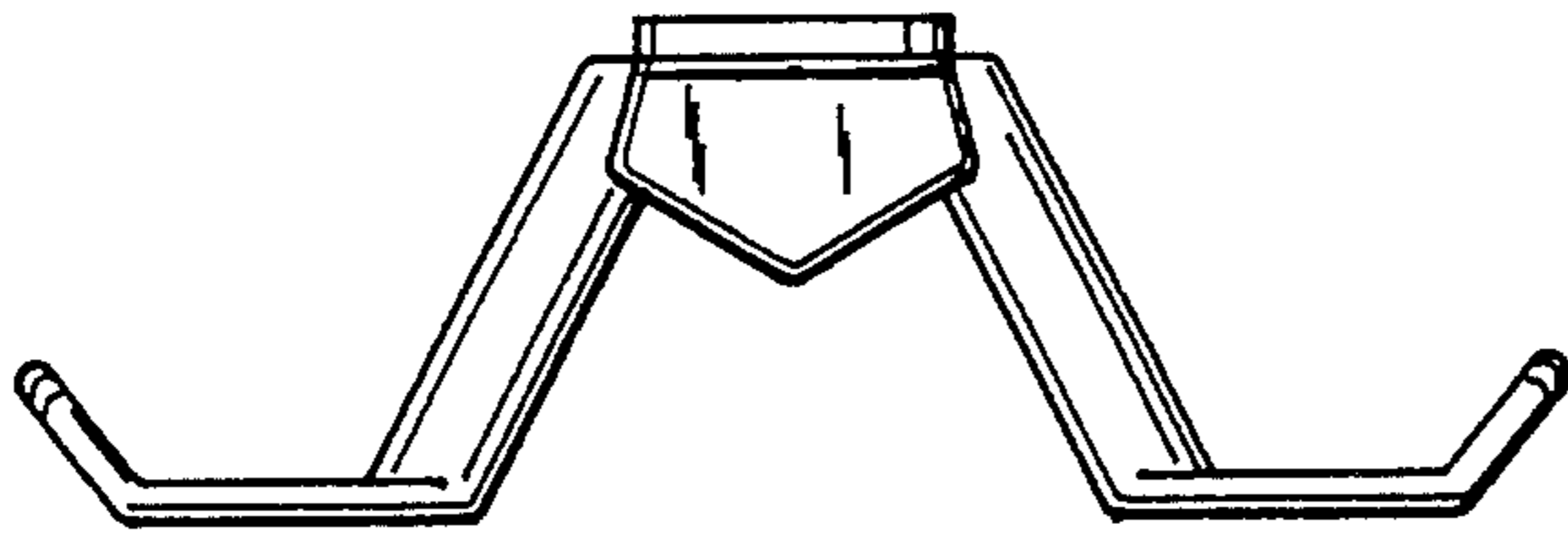


Fig. 4

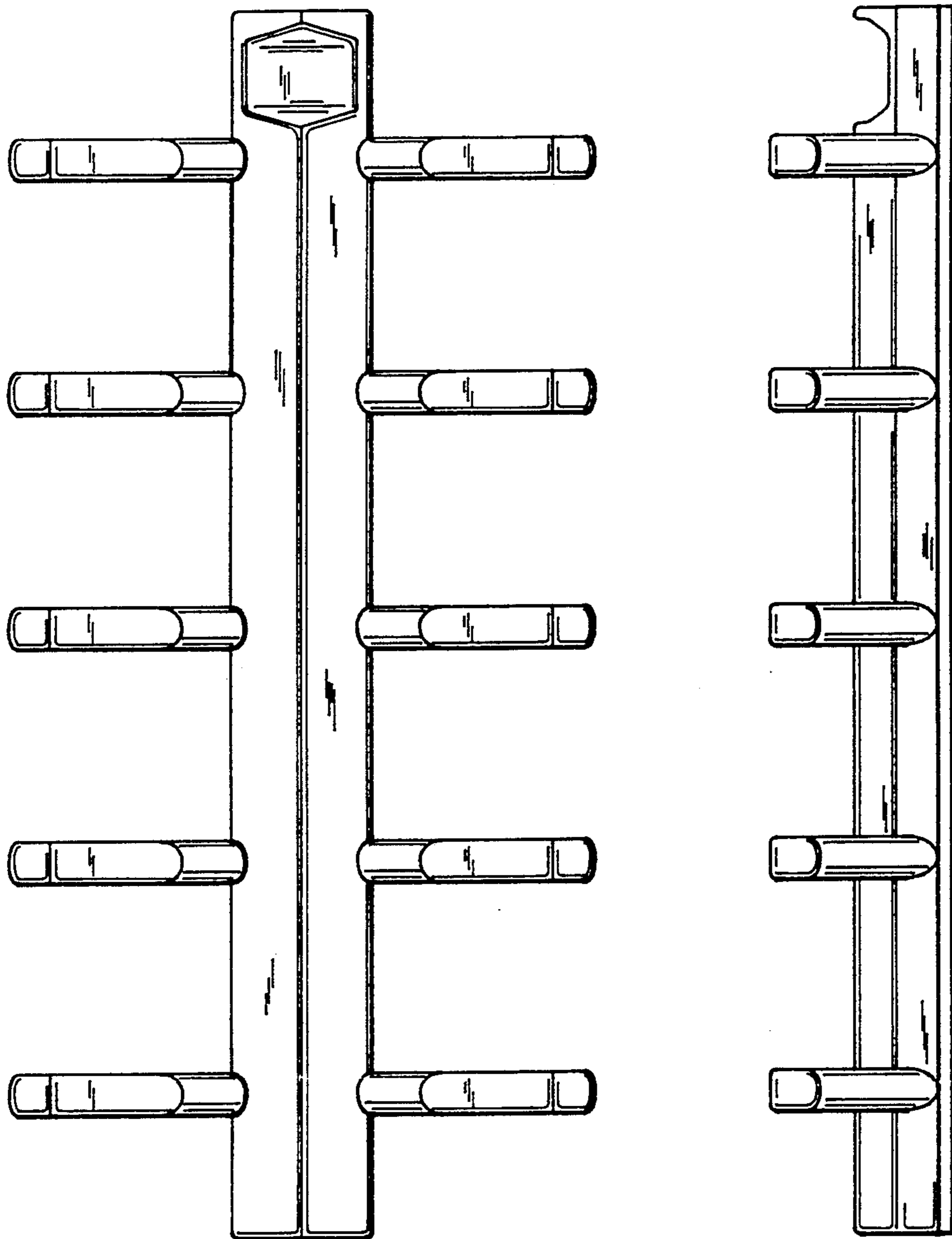


Fig. 2

Fig. 3

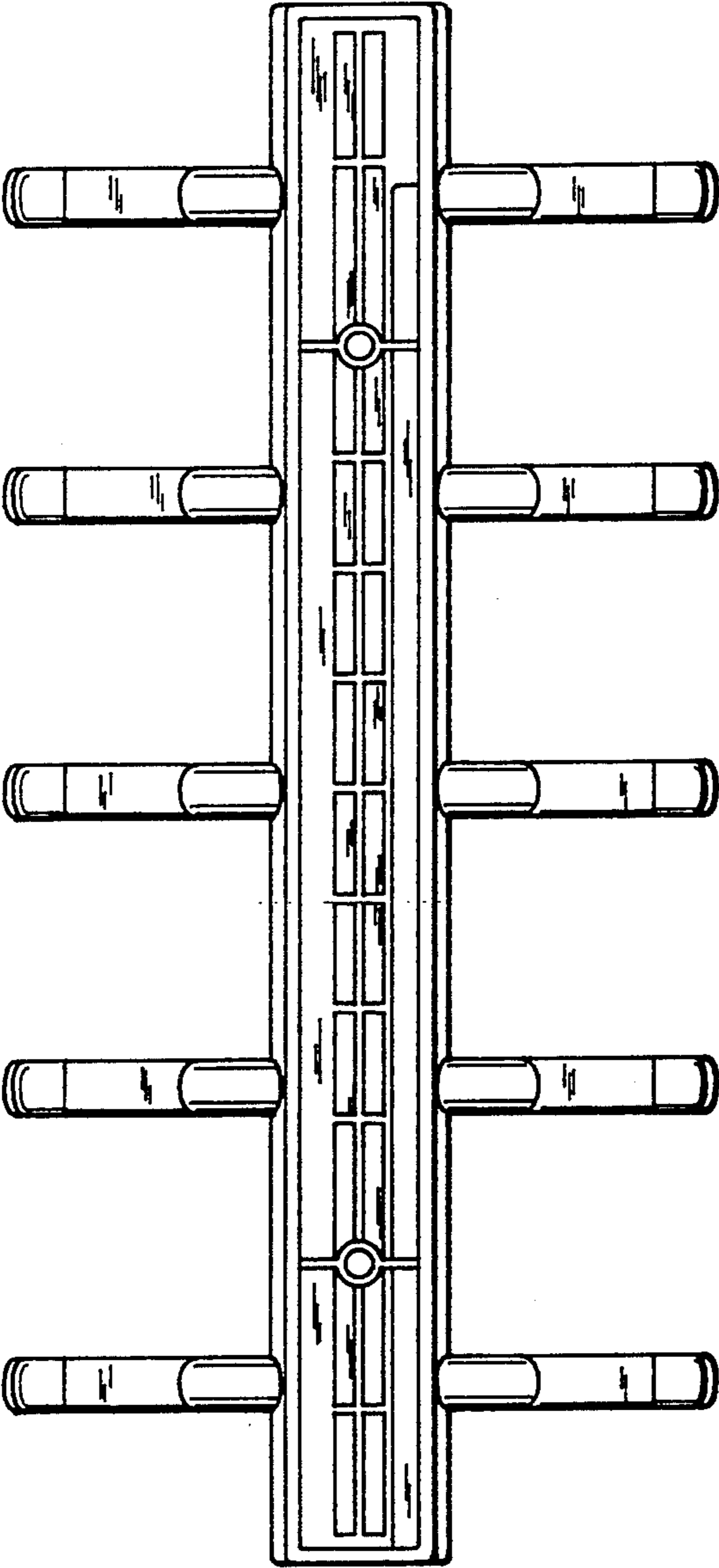


Fig. 5

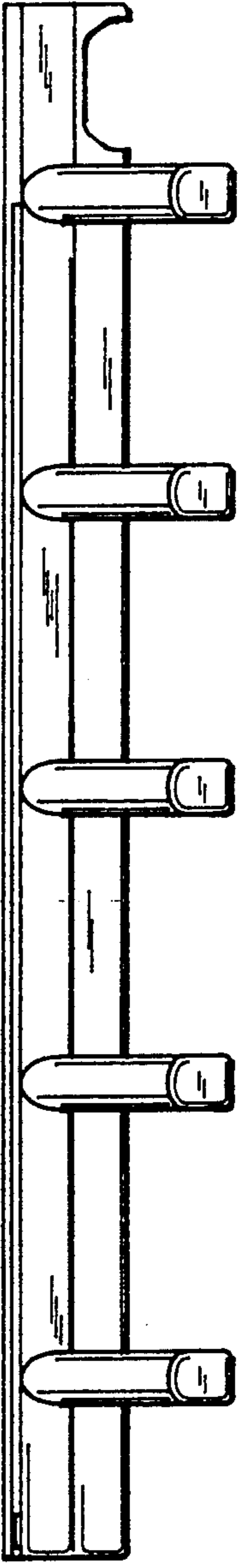


Fig. 6

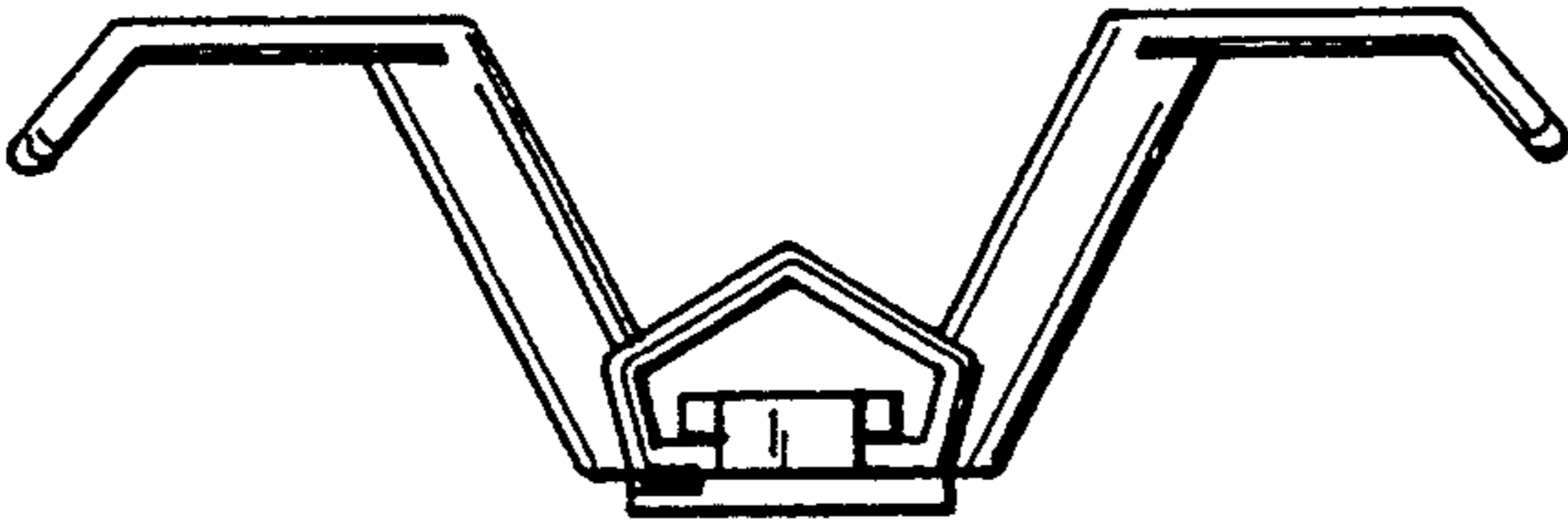


Fig. 7