

[54] COMBINED CHAIR BACK, ADJUSTABLE TRAY TABLE, AND DETACHABLE POCKET

[76] Inventor: Aegir Bjornsson, Vallgatan 17, 450 43 Smogen, Sweden

[**] Term: 14 Years

[21] Appl. No.: 186,210

[22] Filed: Apr. 26, 1988

[30] Foreign Application Priority Data

Oct. 26, 1987 [SE] Sweden 87 2437

[52] U.S. Cl. D6/502

[58] Field of Search D6/342, 360, 376, 356; 297/191, 146

[56] References Cited

U.S. PATENT DOCUMENTS

- D. 239,148 3/1976 Mendellsmith D6/342
- D. 249,306 9/1978 Bengtsson D6/342
- D. 272,402 1/1984 Marryo D6/511 X
- D. 273,642 5/1984 Marryo D6/356
- D. 279,061 6/1985 Zabelinsky D6/509
- 2,619,395 11/1952 Kent 297/191 X

- 3,795,422 3/1974 Robinson et al. 297/191
- 4,159,071 6/1979 Roca 297/191 X
- 4,726,621 2/1988 Müller 297/191 X

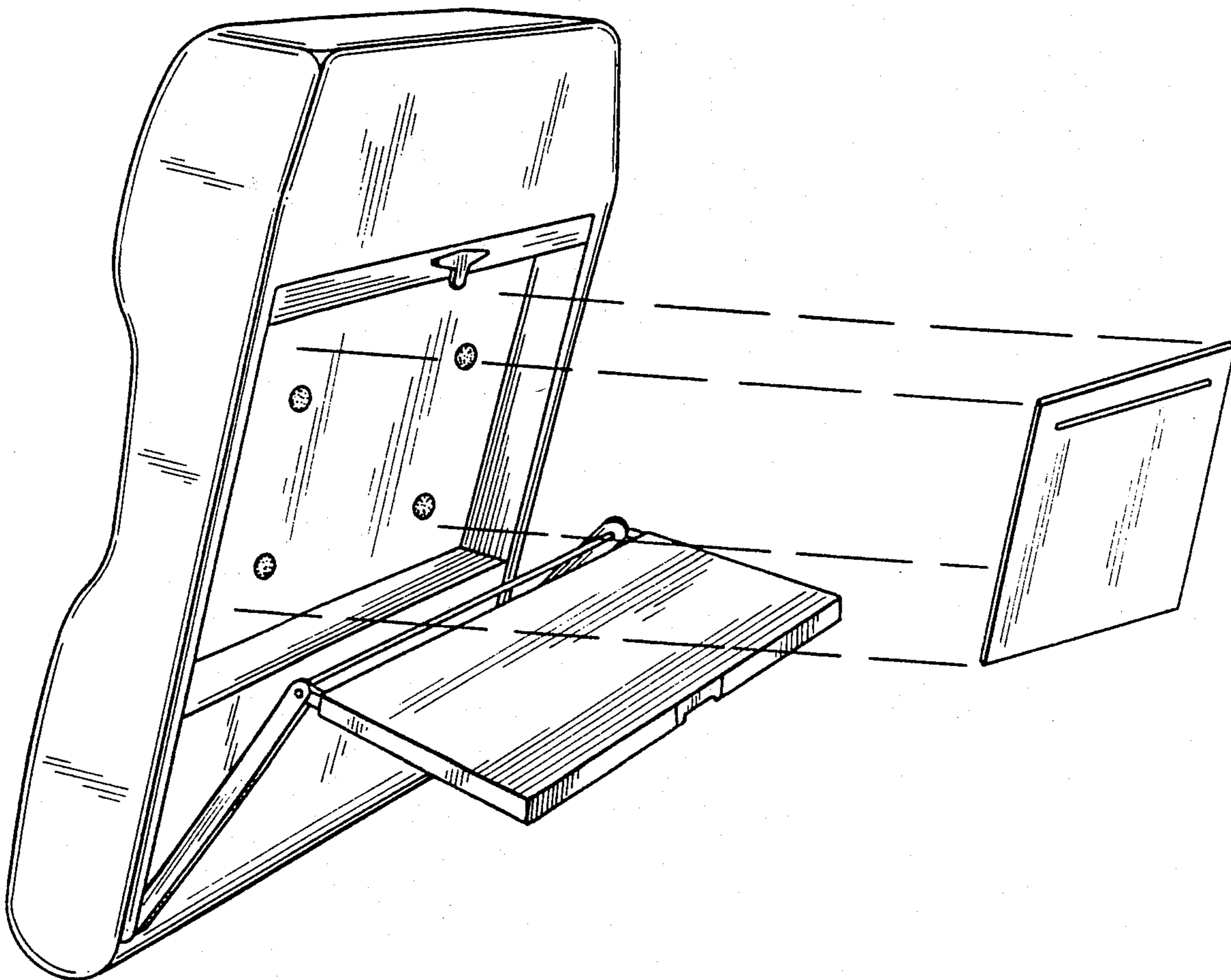
Primary Examiner—Bruce W. Dunkins
Assistant Examiner—Janice E. Seeger
Attorney, Agent, or Firm—Wegner, Cantor, Mueller & Player

[57] CLAIM

The ornamental design for a combined chair back, adjustable tray, and detachable pocket, as shown and described.

DESCRIPTION

FIG. 1 is a rear perspective view of a combined chair back, adjustable tray table, and detachable pocket, showing my new design;
FIG. 2 is an exploded rear perspective view with the table in its unfolded position and the detachable pocket removed;
FIG. 3 is a rear perspective view, with the table in its unfolded position; and
FIG. 4 is an exploded front perspective view with the detachable pocket removed.



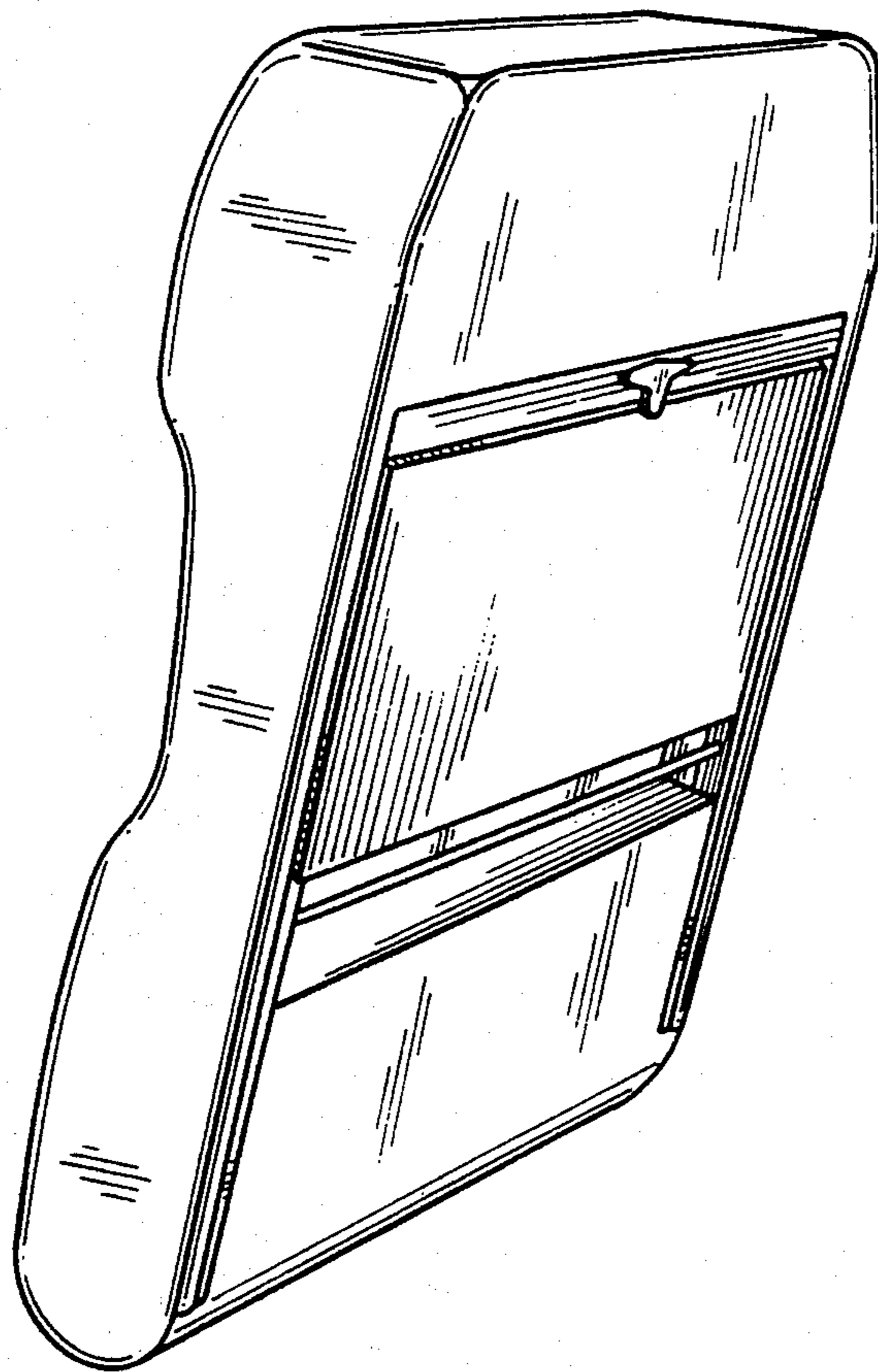


FIG. 1

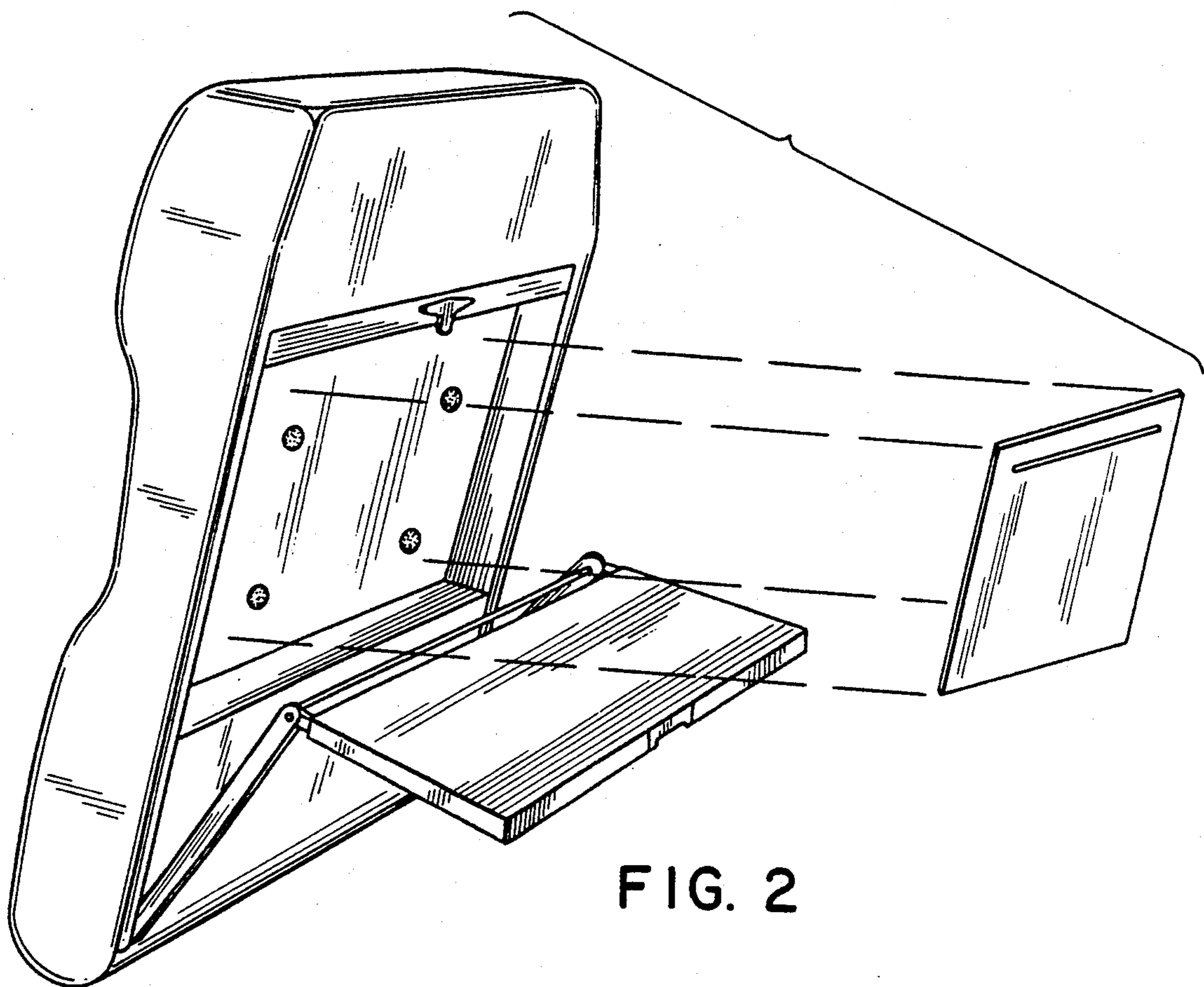


FIG. 2

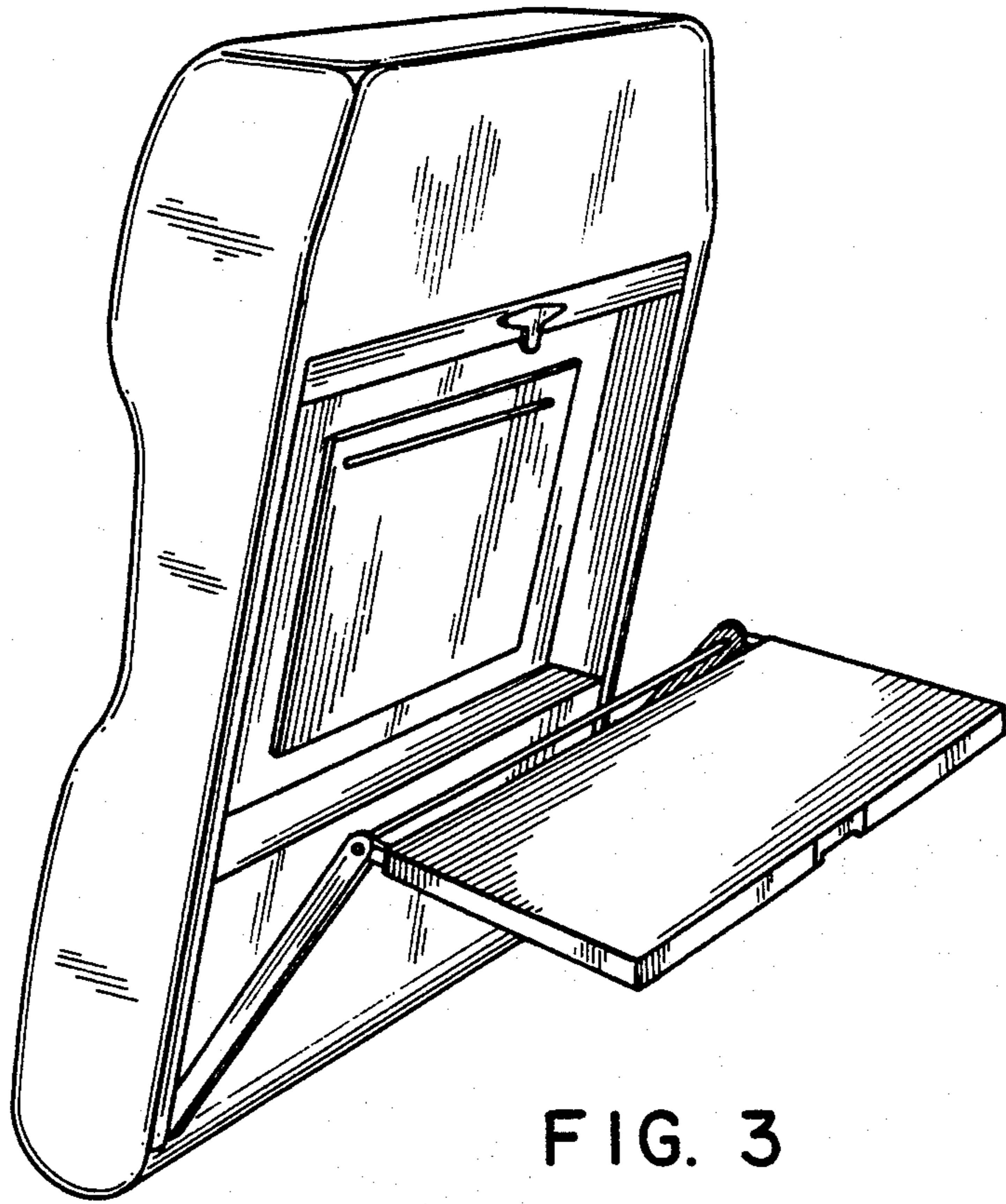


FIG. 3

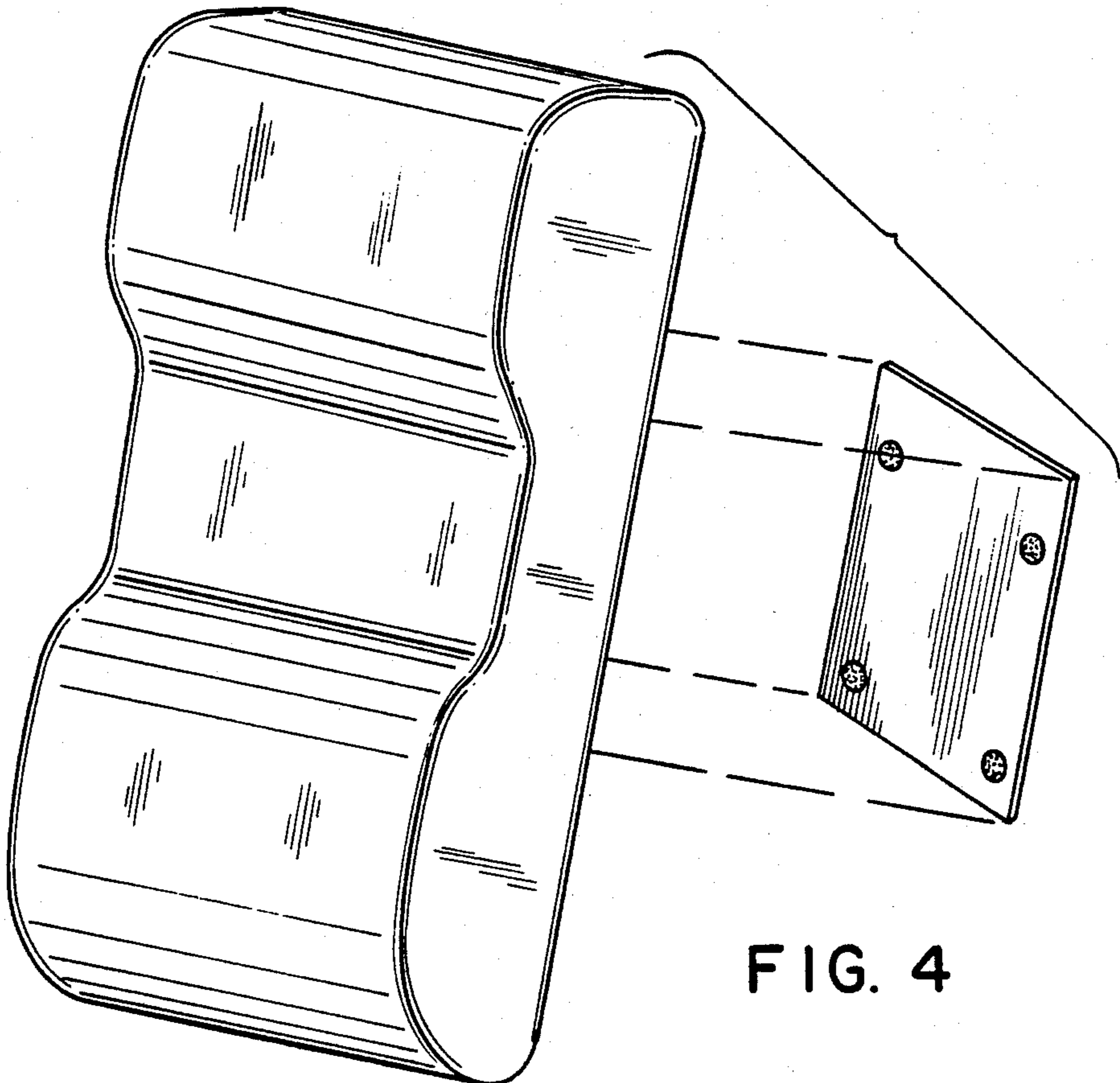


FIG. 4