

[54] OFFICE WORKSTATION

[75] Inventors: Friedemann Lotsch; Helmut Thiele, both of Dortmund, Fed. Rep. of Germany

[73] Assignee: Willy Fleischer Metallwarenfabrik GmbH & Co. KG

[**] Term: 14 Years

[21] Appl. No.: 233,665

[22] Filed: Aug. 18, 1988

[30] Foreign Application Priority Data

Feb. 19, 1988 [DE] Fed. Rep. of Germany 653

[52] U.S. Cl. D6/474; D6/423; D6/484

[58] Field of Search D6/419-428, D6/480, 484, 474; 312/194-196

[56] References Cited

U.S. PATENT DOCUMENTS

- D. 229,468 12/1973 Ginsburg D6/423
- D. 239,227 3/1976 Vogt D6/423 X
- D. 278,770 5/1985 Koguma D6/423
- D. 291,853 9/1987 Worrell et al. D6/423 X

OTHER PUBLICATIONS

Domus #652 Jul./Aug. 1984, inside front cover; Multiple Desk Unit on page.

Modern Office Technology Jun. 1985 p. 93; Multiple Desk Unit on page.

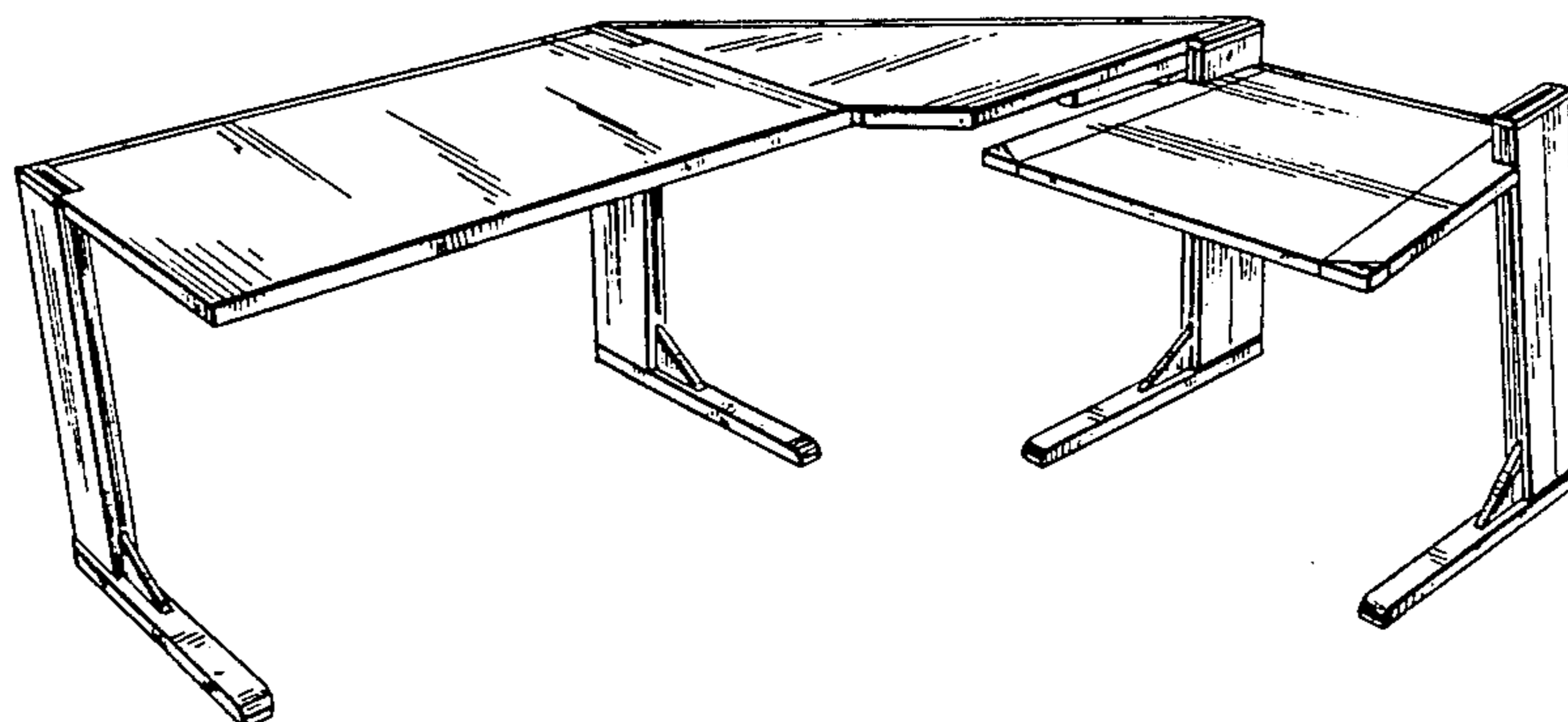
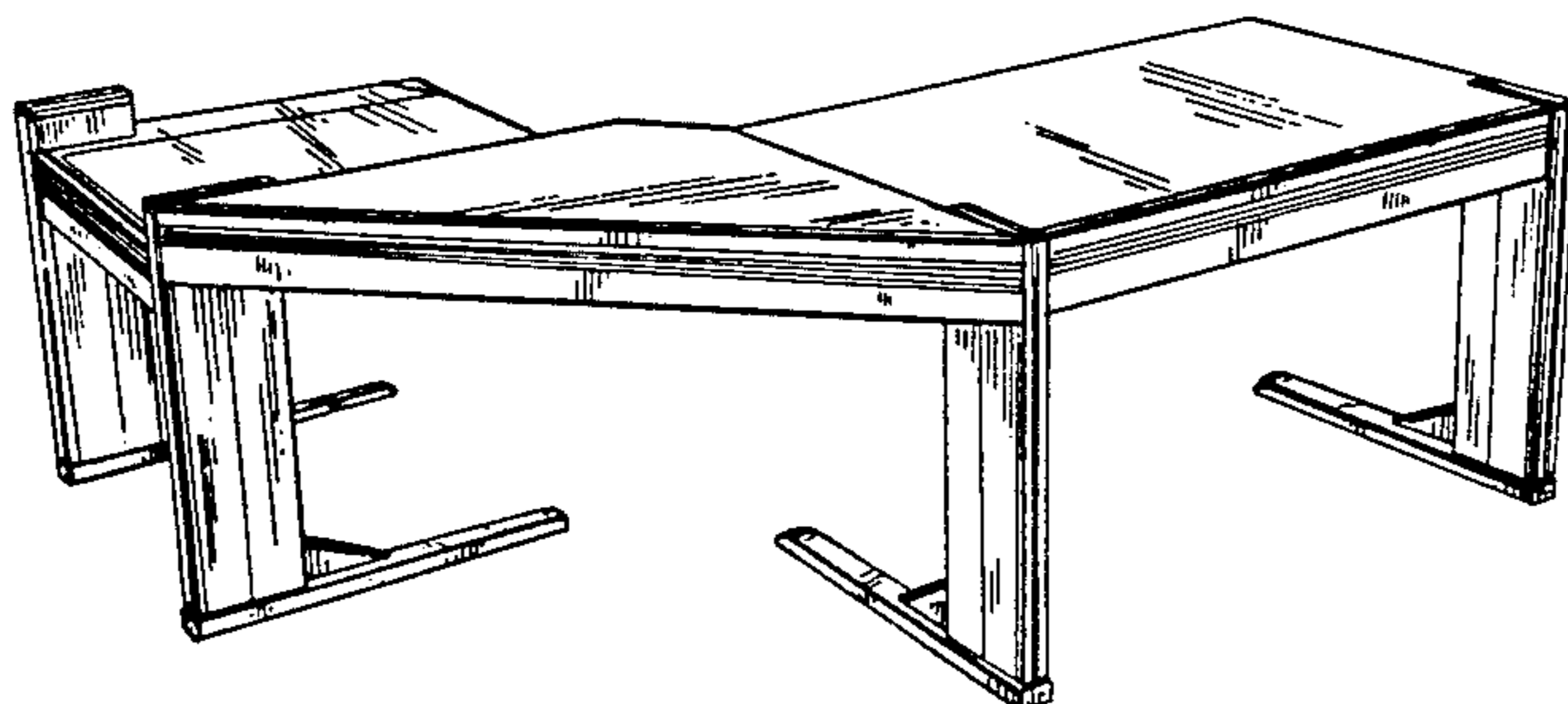
Primary Examiner—Carmen H. Vales-Lado
Attorney, Agent, or Firm—Toren, McGeedy & Associates

[57] CLAIM

The ornamental design for an office workstation, as shown and described.

DESCRIPTION

FIG. 1 is a front perspective view of an office workstation showing our new design;
 FIG. 2 is a rear perspective view thereof;
 FIG. 3 is an enlarged fragmentary detail perspective view of an typical floor of the office workstation;
 FIG. 4 is an enlarged fragmentary detail perspective view of the corner of the office workstation;
 FIG. 5 is an enlarged fragmentary perspective view of the adjustable desk of the office workstation;
 FIG. 6 is a further enlarged fragmentary top perspective view thereof; and
 FIG. 7 is an enlarged fragmentary bottom perspective view of FIG. 5.



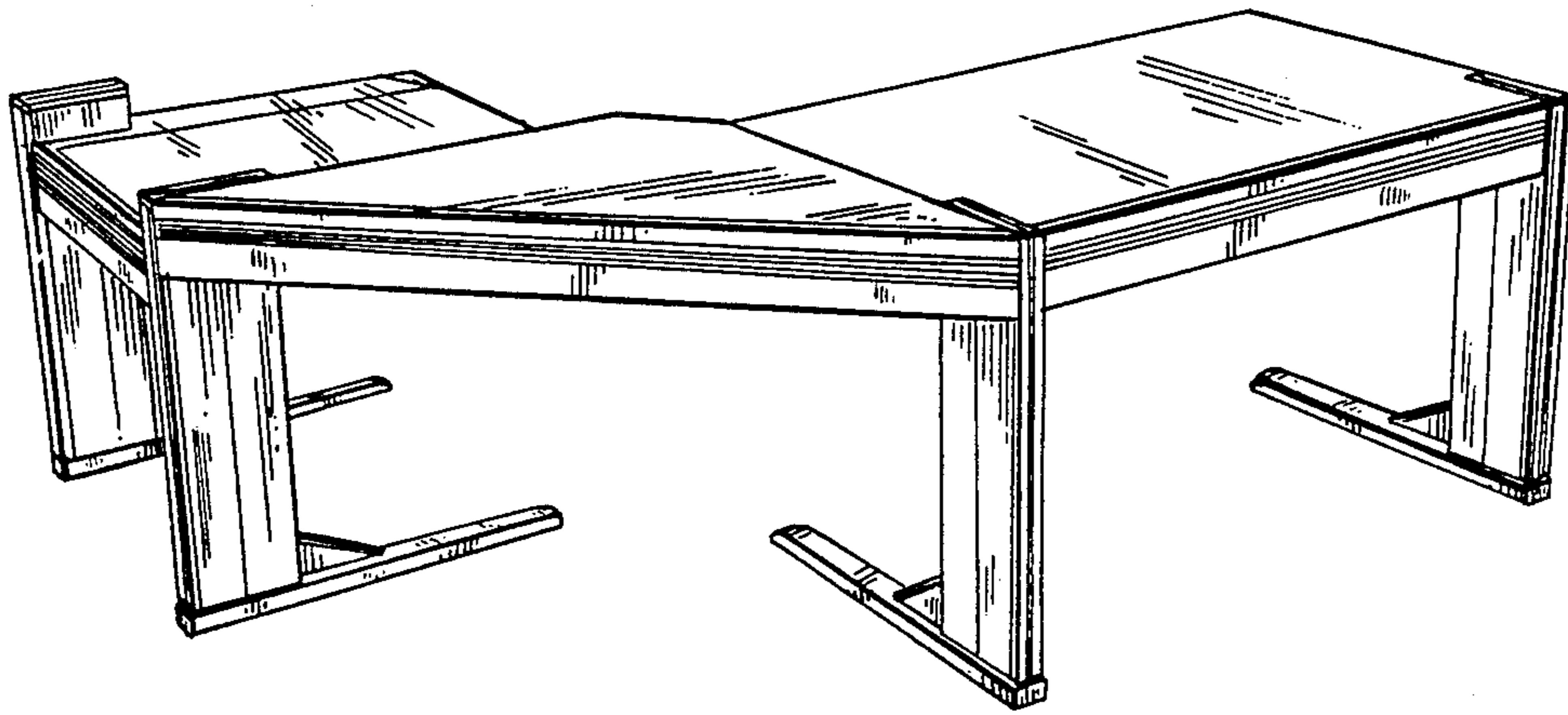


FIG. 1

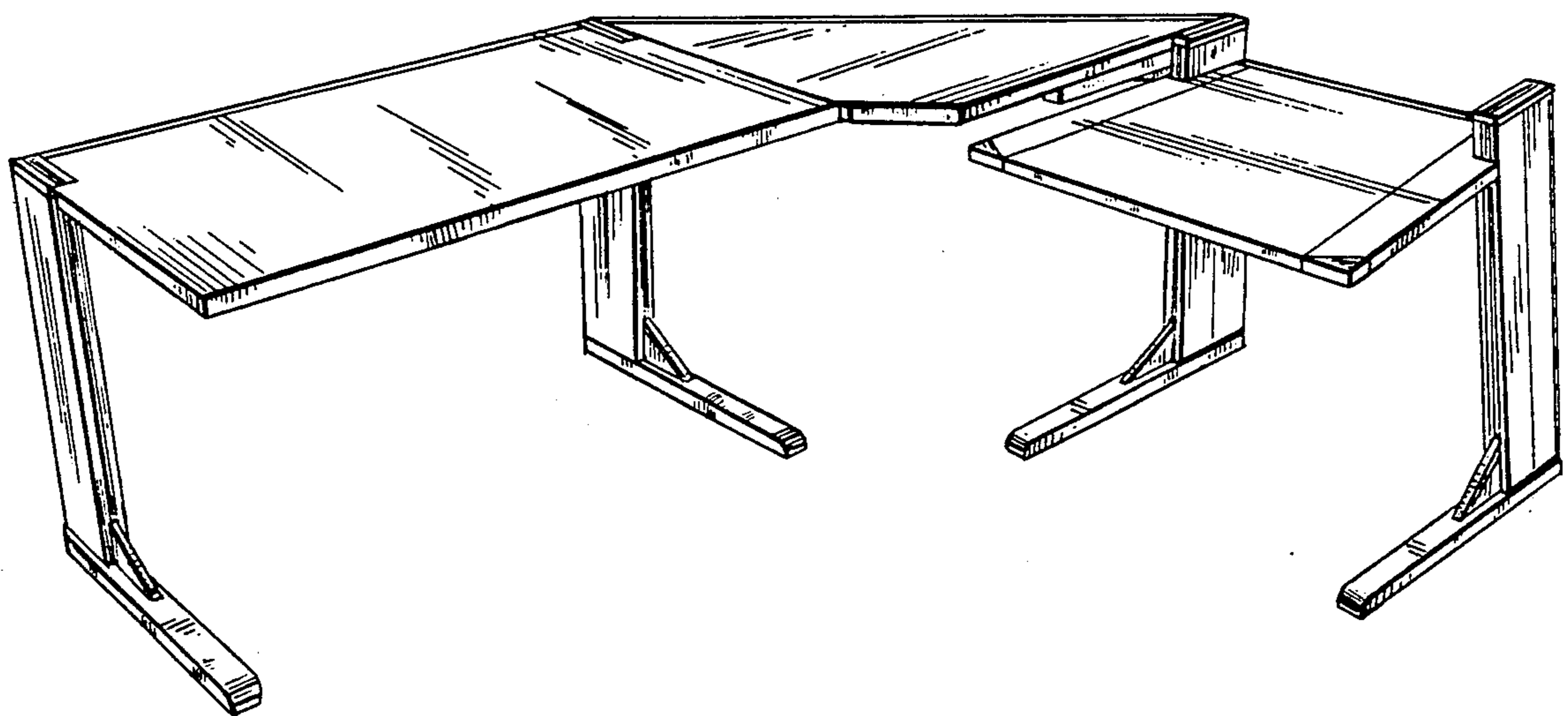


FIG. 2

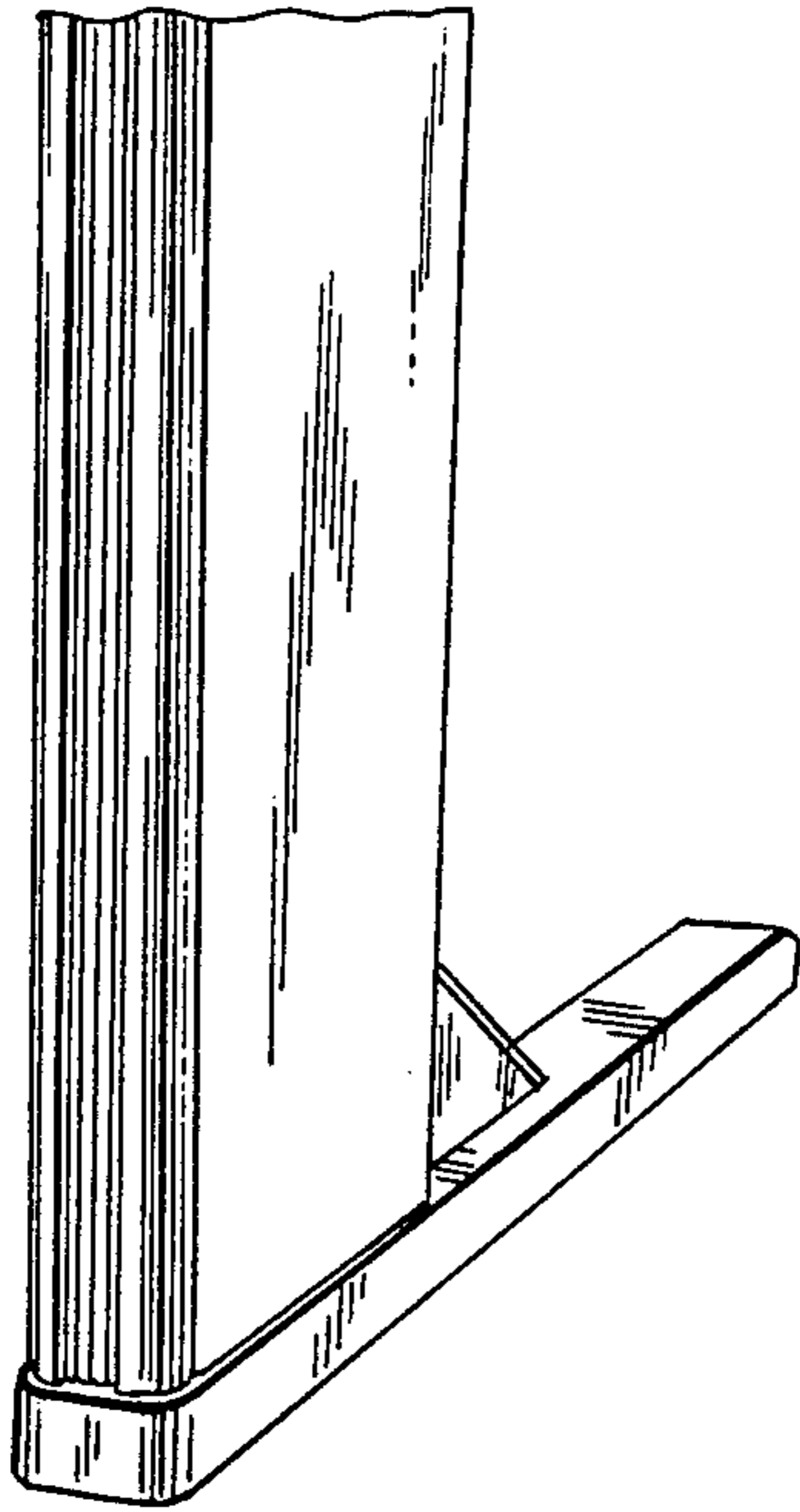


FIG.3

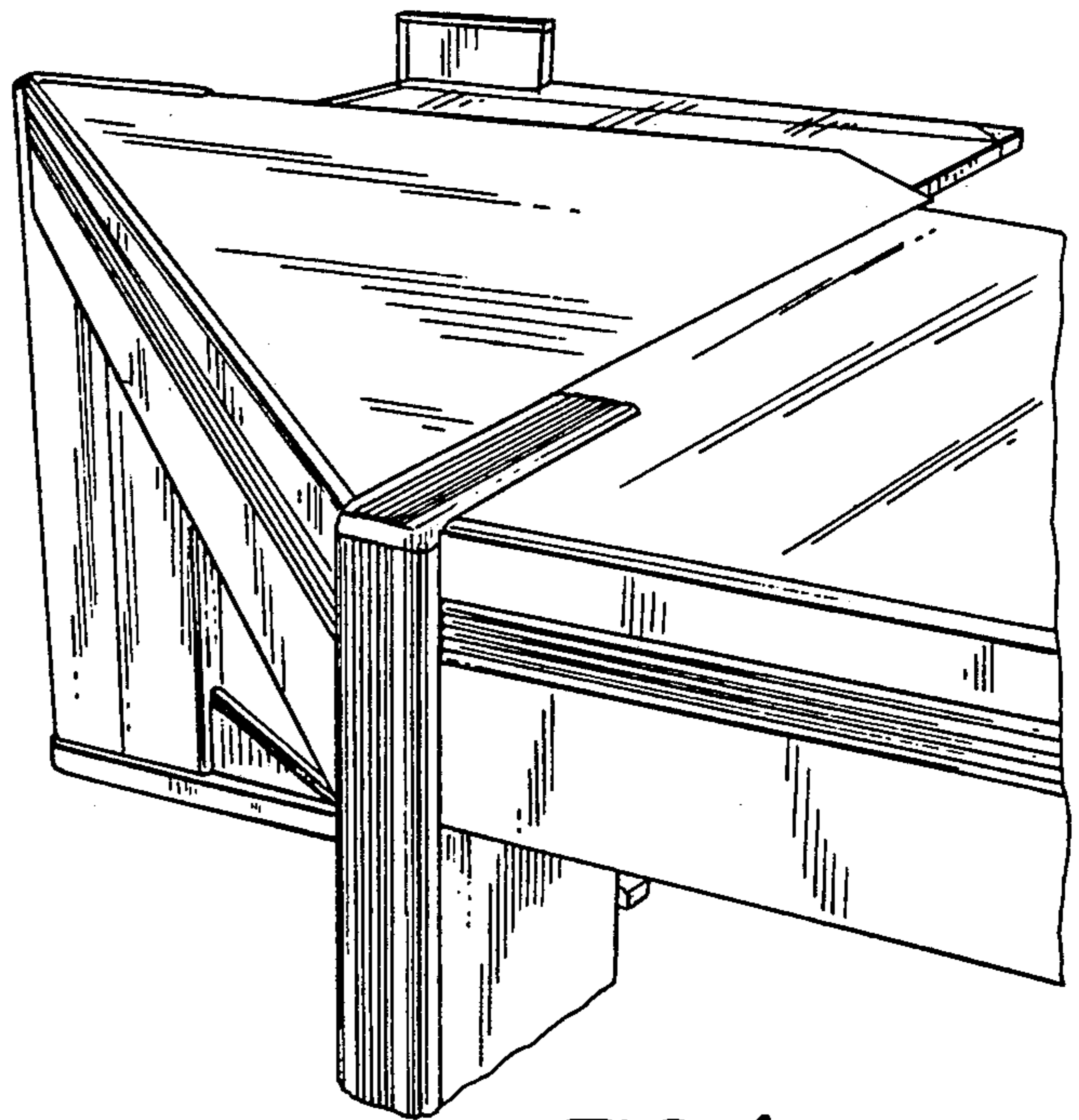


FIG.4

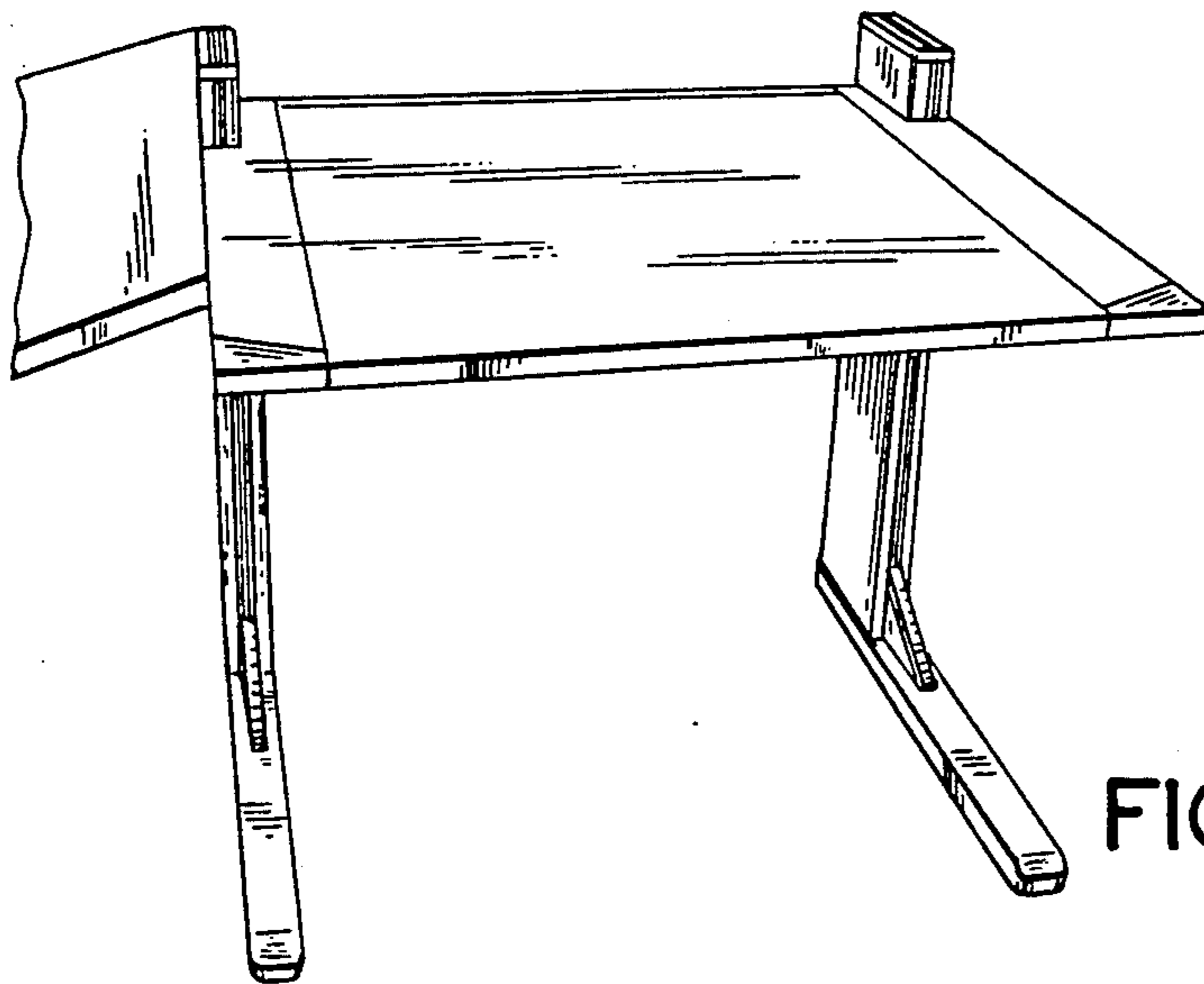


FIG.5

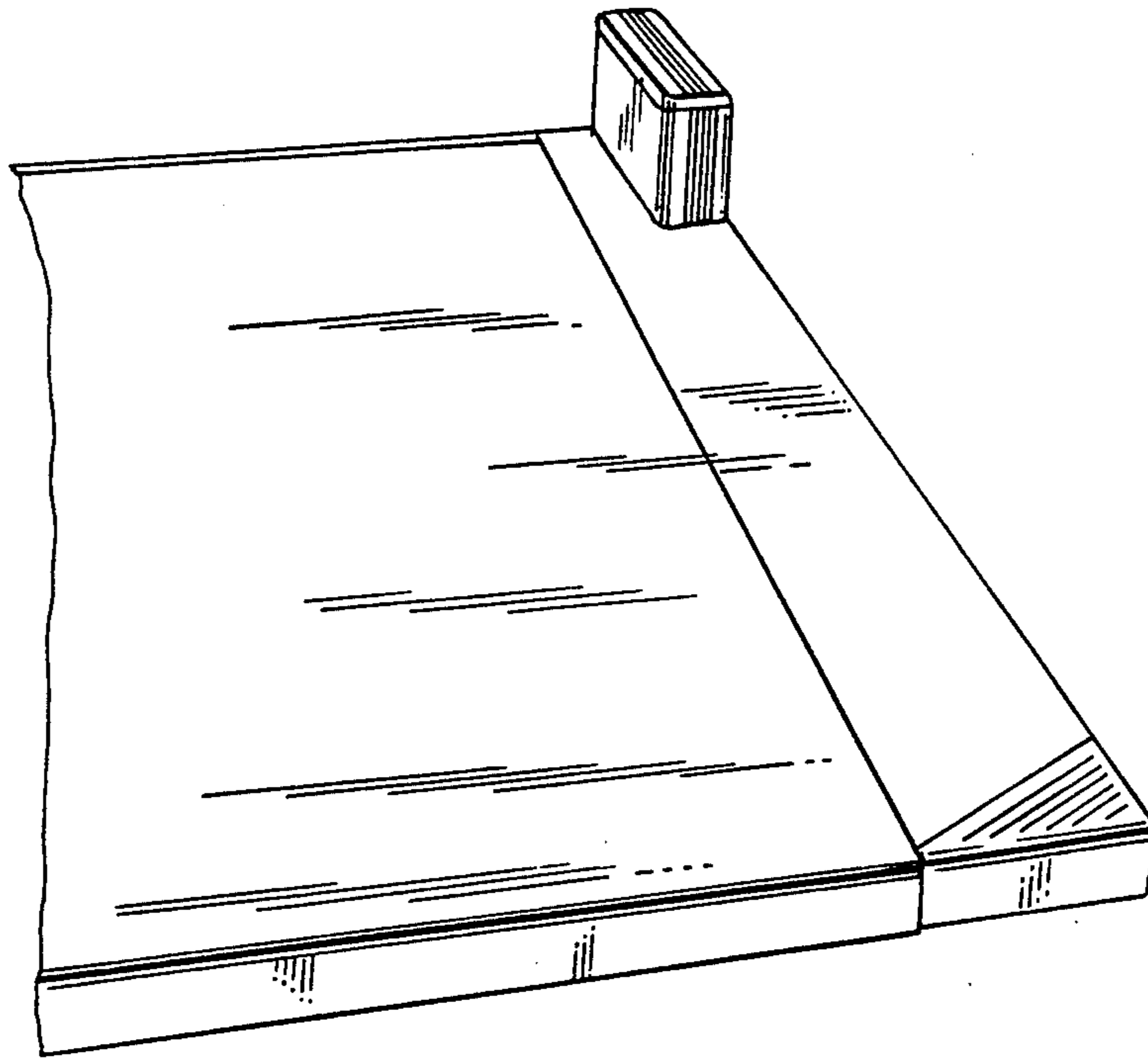


FIG. 6

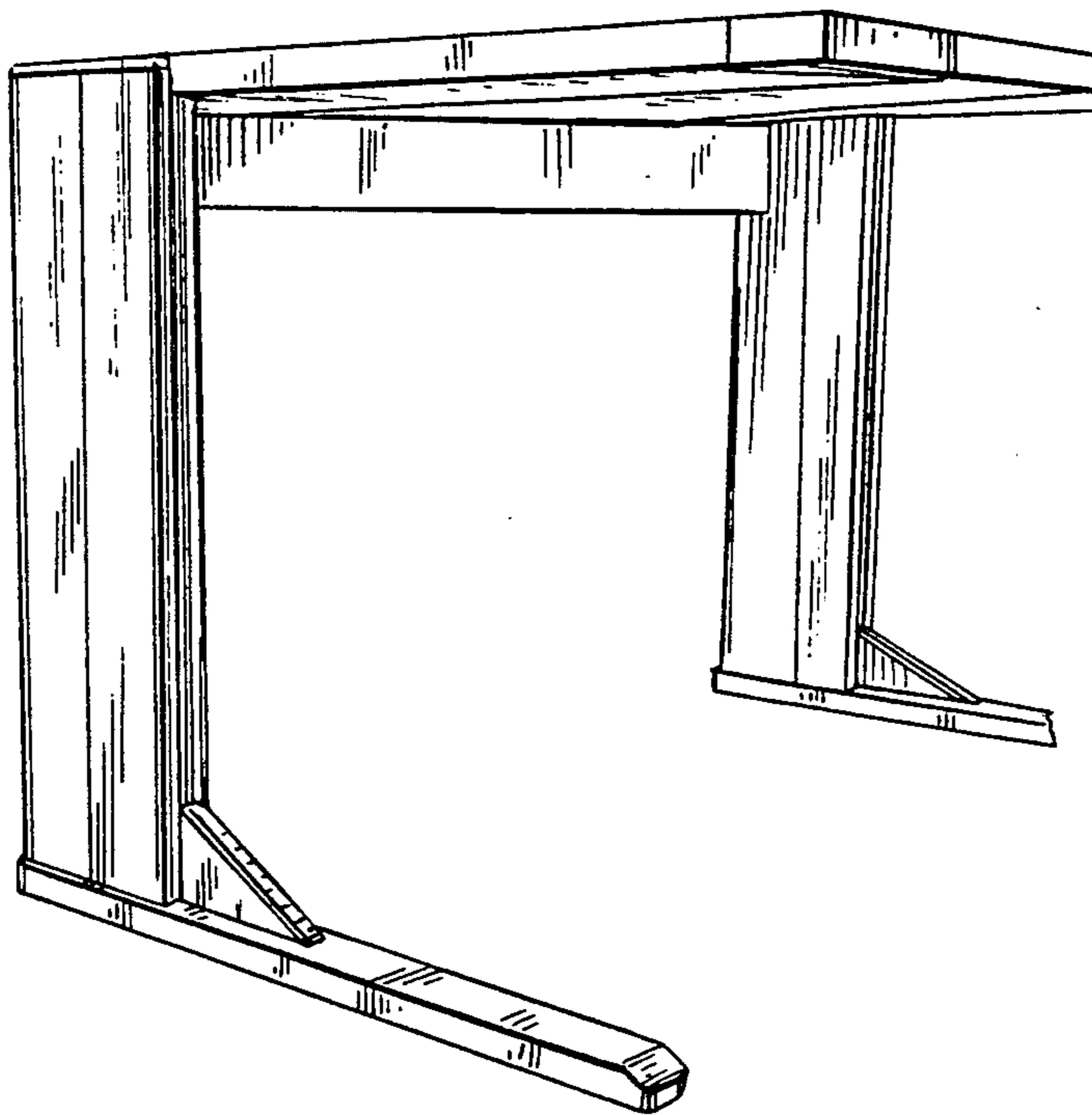


FIG. 7

UNITED STATES PATENT AND TRADEMARK OFFICE
CERTIFICATE OF CORRECTION

PATENT NO. : Des. 320,709

DATED : October 15, 1991

INVENTOR(S) : Friedemann Lotsch and Helmut Thiele

It is certified that error appears in the above-identified patent and that said Letters Patent is hereby corrected as shown below:

On the Title Page:

Item [73] Assignee should read: Willy Fleischer Metallwarenfabrik
GmbH & Co. KG, Federal Republic
of Germany

**Signed and Sealed this
Sixth Day of April, 1993**

Attest:

STEPHEN G. KUNIN

Attesting Officer

Acting Commissioner of Patents and Trademarks