

[54] DISPLAY MODULE FOR AUDIO/VIDEO CASSETTES AND THE LIKE

[75] Inventor: Sandor A. Garfinkle, Franklin Lakes, N.J.

[73] Assignee: Gemini Industries, Inc., Clifton, N.J.

[**] Term: 14 Years

[21] Appl. No.: 256,364

[22] Filed: Oct. 11, 1988

[52] U.S. Cl. D6/407

[58] Field of Search D6/407; 206/387; 312/8, 312/9, 10, 11, 12, 15; 211/40; D3/35

[56] References Cited

U.S. PATENT DOCUMENTS

D. 253,860	1/1980	Schwartz et al.	D3/35 X
D. 259,450	6/1981	Veralrud	D3/35
D. 260,457	9/1981	Rumble	D3/35
D. 272,789	2/1984	Stoppino	D6/407
D. 283,957	5/1986	Stravitz	D6/407
D. 295,930	5/1988	Drake et al.	D6/407
D. 308,599	6/1990	Long et al.	D3/35
2,128,854	8/1938	Sagendorf, 2nd et al. .	
2,506,844	3/1946	Smith .	
3,529,878	9/1970	Blowers .	
3,552,817	1/1971	Marcolongo .	
3,563,624	2/1971	Stice .	
3,736,035	5/1973	Brown et al. .	
3,856,369	12/1974	Commiant .	
4,423,913	1/1984	Lee .	
4,453,785	6/1984	Smith .	

Primary Examiner—Carmen H. Vales-Lado
Attorney, Agent, or Firm—Lerner, David, Littenberg, Krumholz & Mentlik

[57] CLAIM

The ornamental design for a display module for audio/video cassettes and the like, as shown and described.

DESCRIPTION

FIG. 1 is a perspective view of a display module for audio/video cassettes and the like showing my new design;

FIG. 2 is a front elevational view thereof;

FIG. 3 is a rear elevational view thereof;

FIG. 4 is a side elevational view the opposite side being identical thereto;

FIG. 5 is a top plan view thereof;

FIG. 6 is a bottom plan view thereof;

FIG. 7 is a perspective view of a second embodiment of the display module for audio/video cassettes and the like shown in FIG. 1, the top and bottom views being identical to FIGS. 5 and 6 respectively;

FIG. 8 is a front elevational view, the rear being identical thereto;

FIG. 9 is a side elevational view, the opposite side being a mirror image thereto;

FIG. 10 is a perspective view of a third embodiment of the display module for audio/video cassettes and the like shown in FIG. 1; the opposite side being a mirror image thereof; the top and bottom views being identical to FIGS. 5 and 6 respectively;

FIG. 11 is a front elevational view thereof;

FIG. 12 is a rear elevational view thereof; and

FIG. 13 is a perspective view of the display module for audio/video cassettes and the like shown within a display module system, in a stacked position, shown in phantom, to illustrate an embodiment within which the display module for audio/video cassettes and the like can be used.

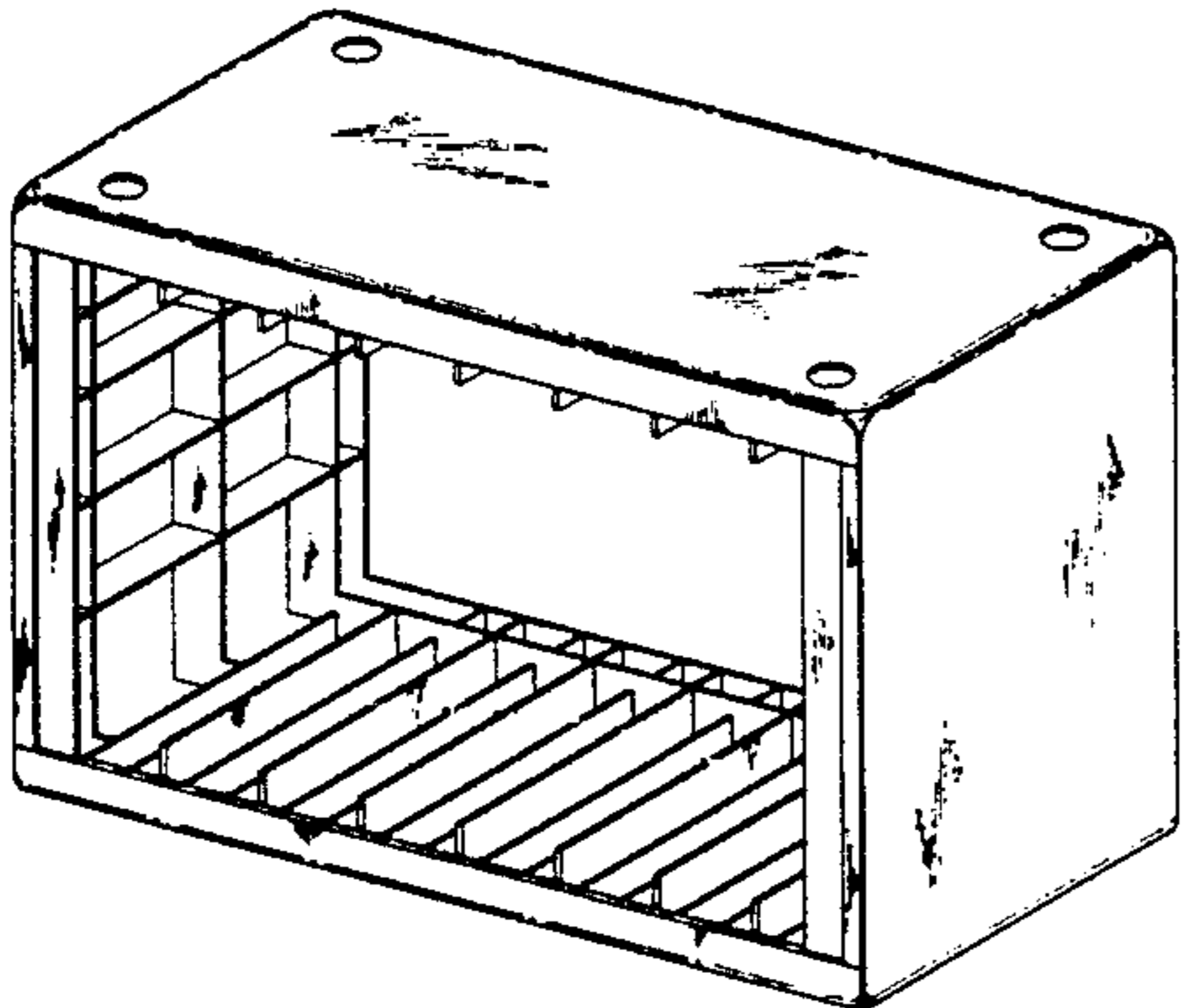
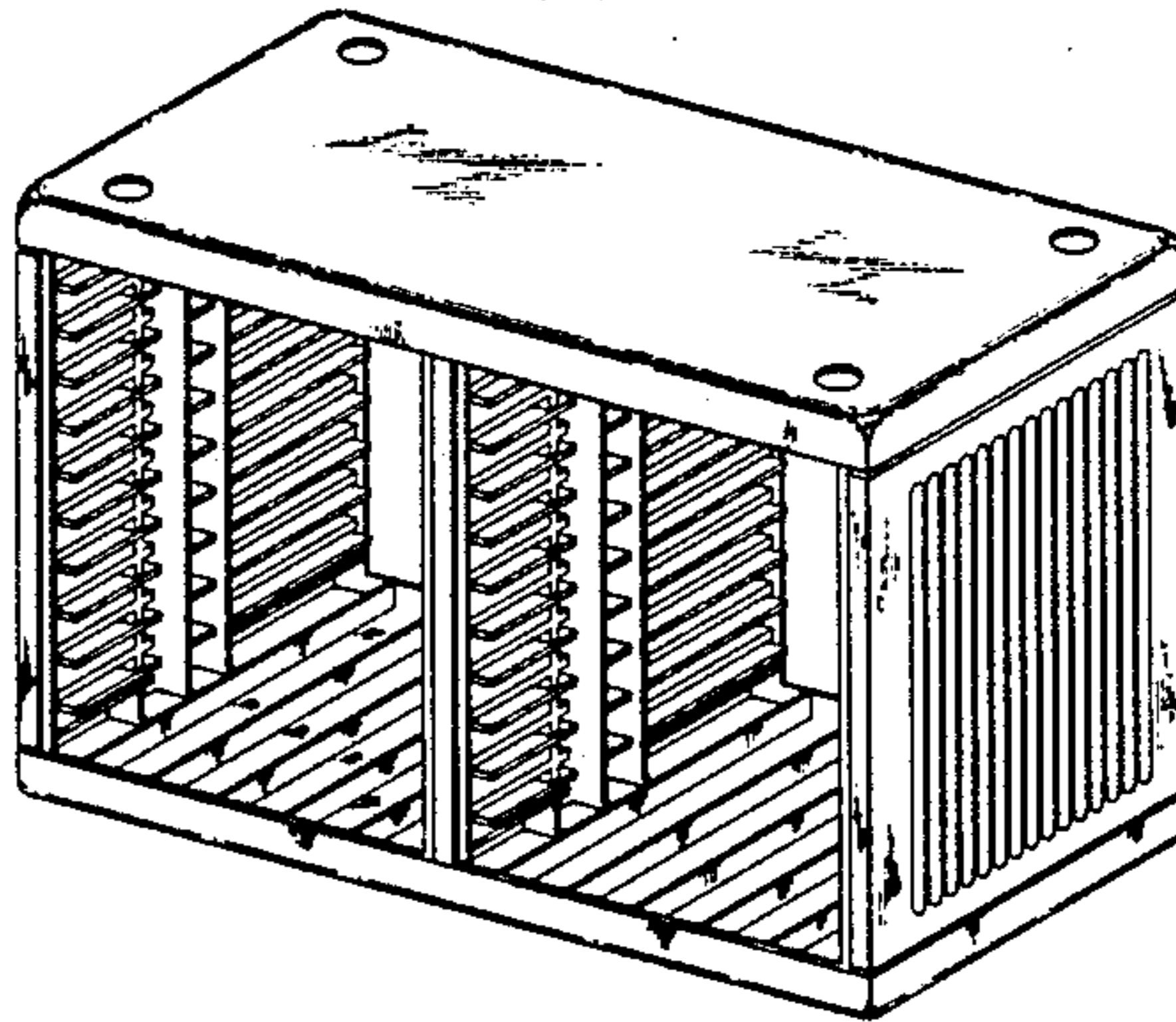
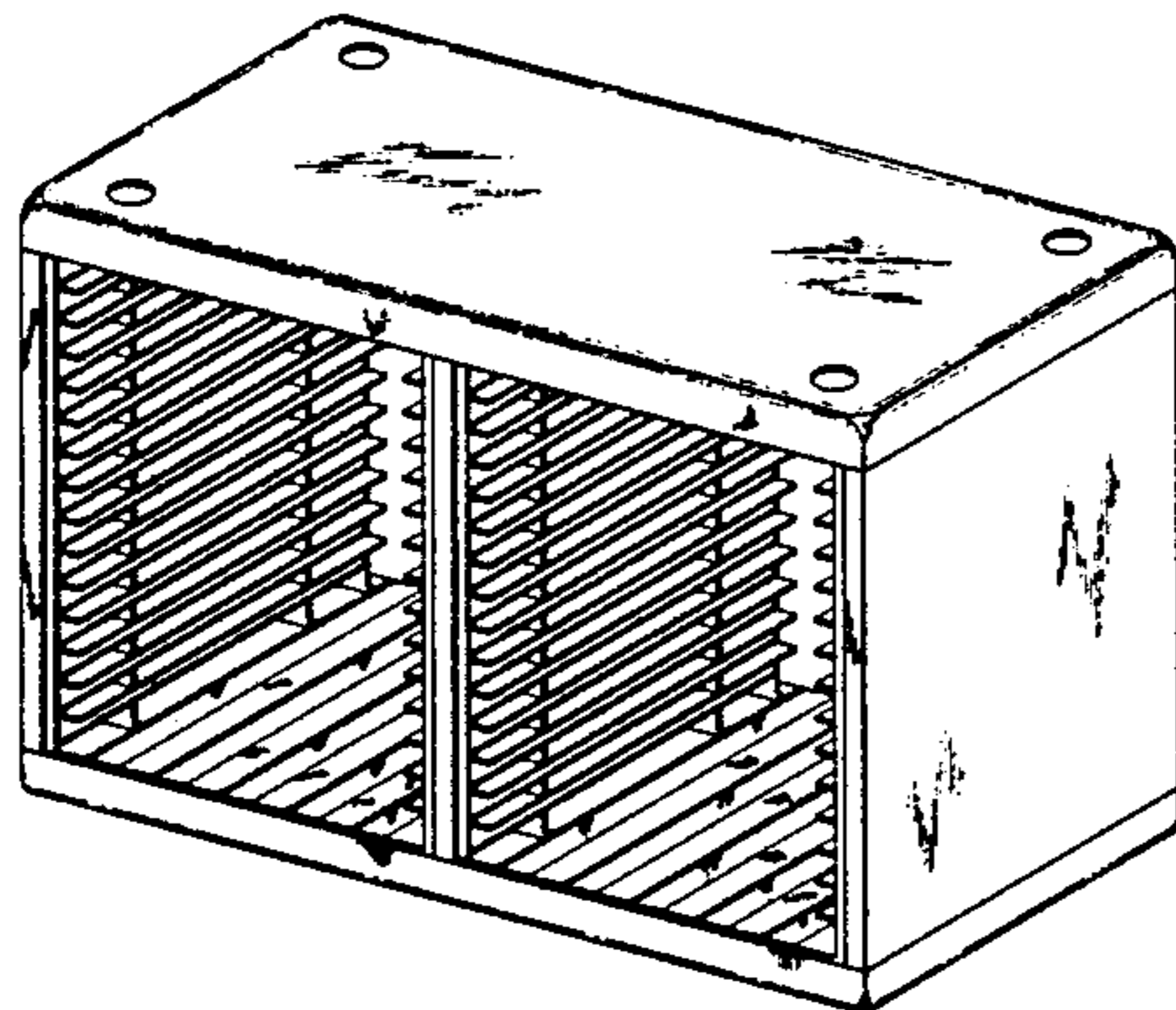


FIG. 1

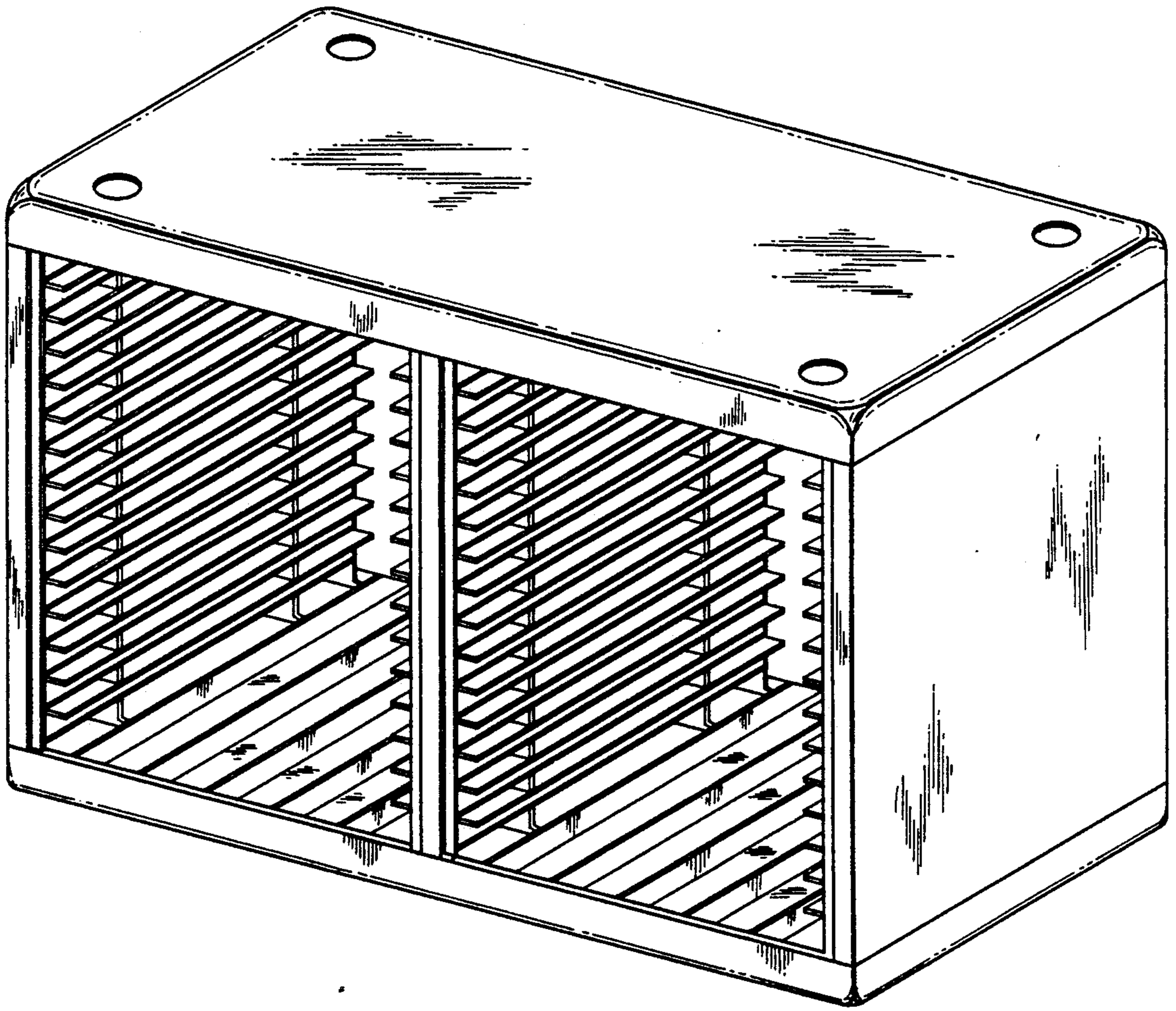


FIG. 2

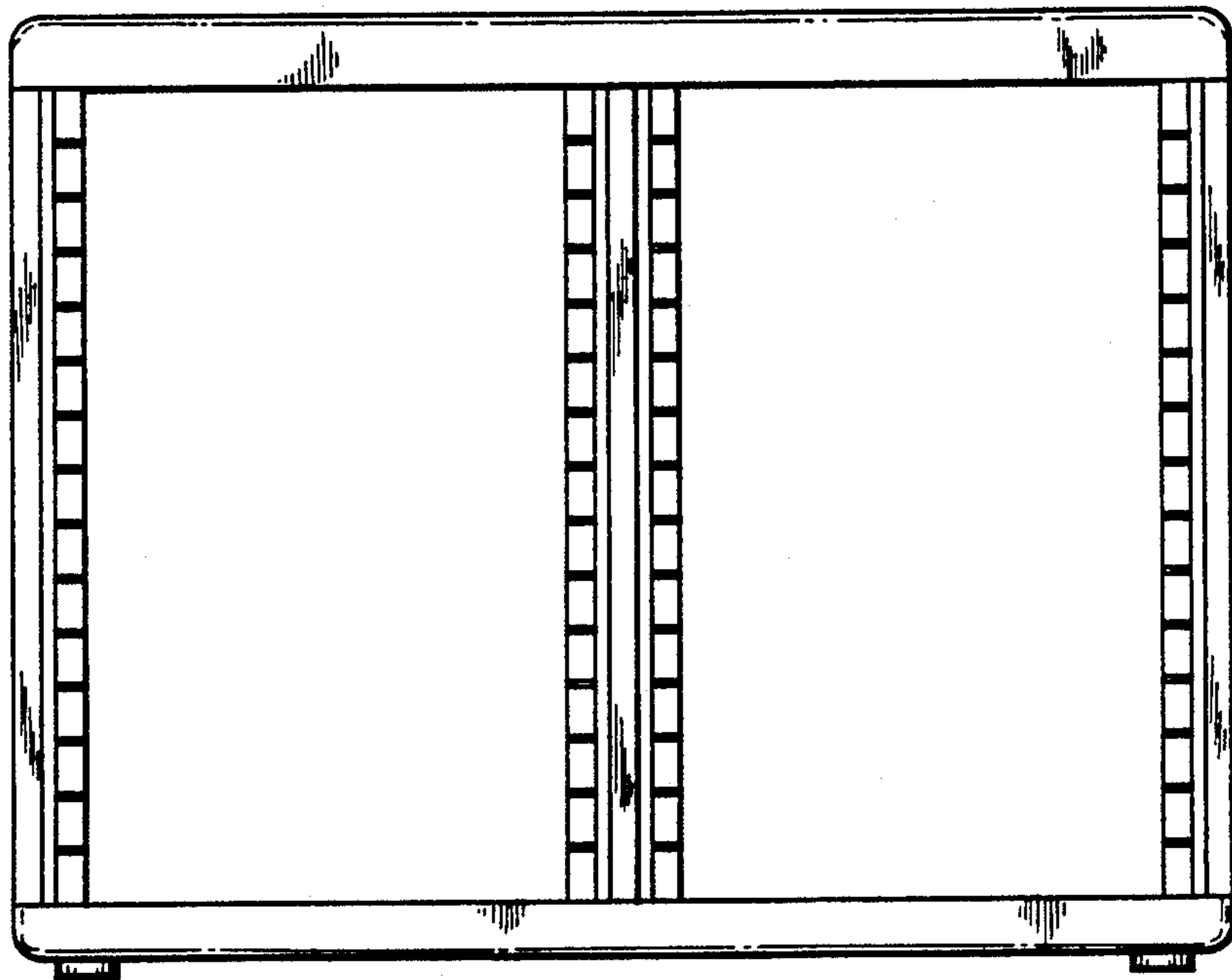


FIG. 3

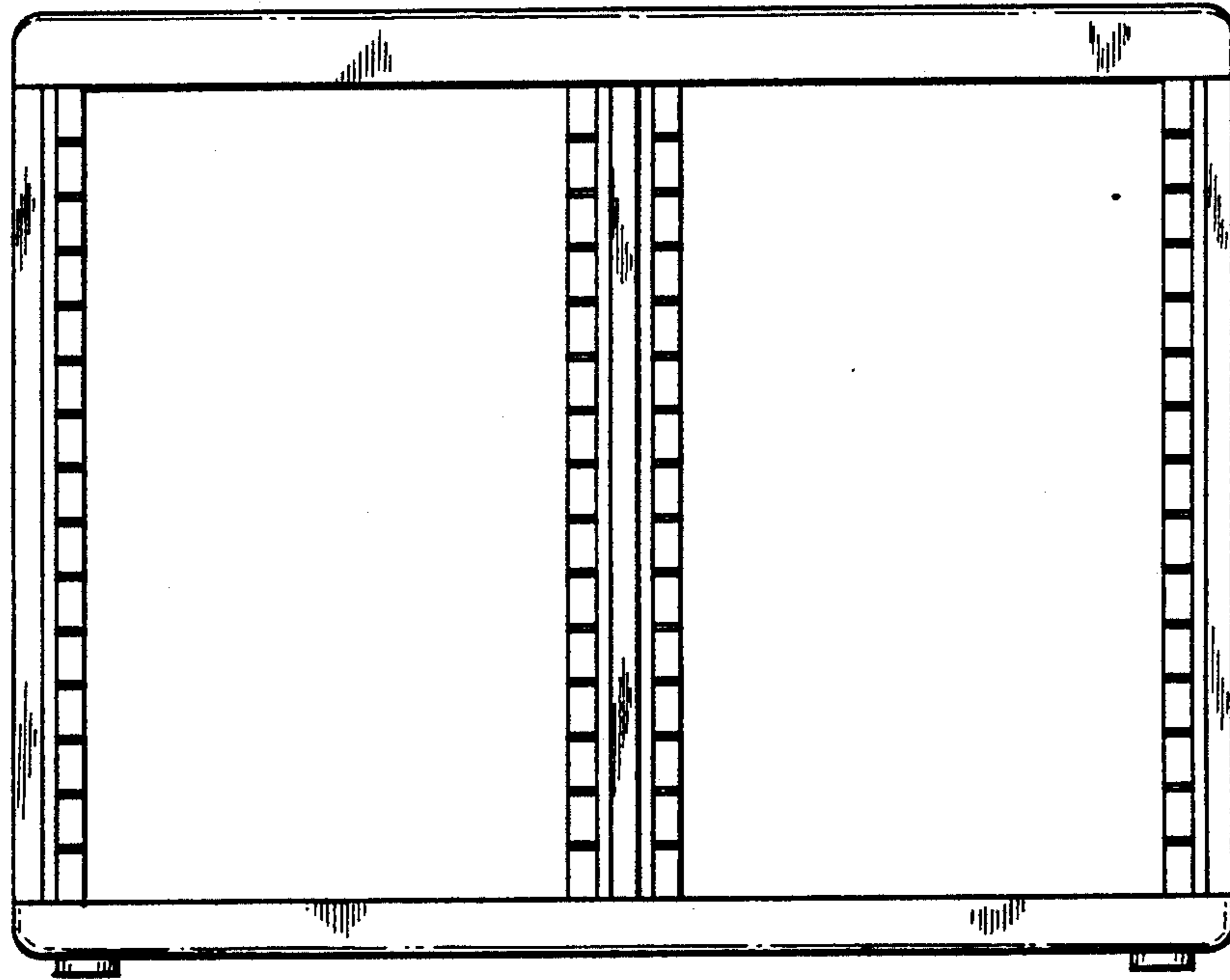


FIG. 4

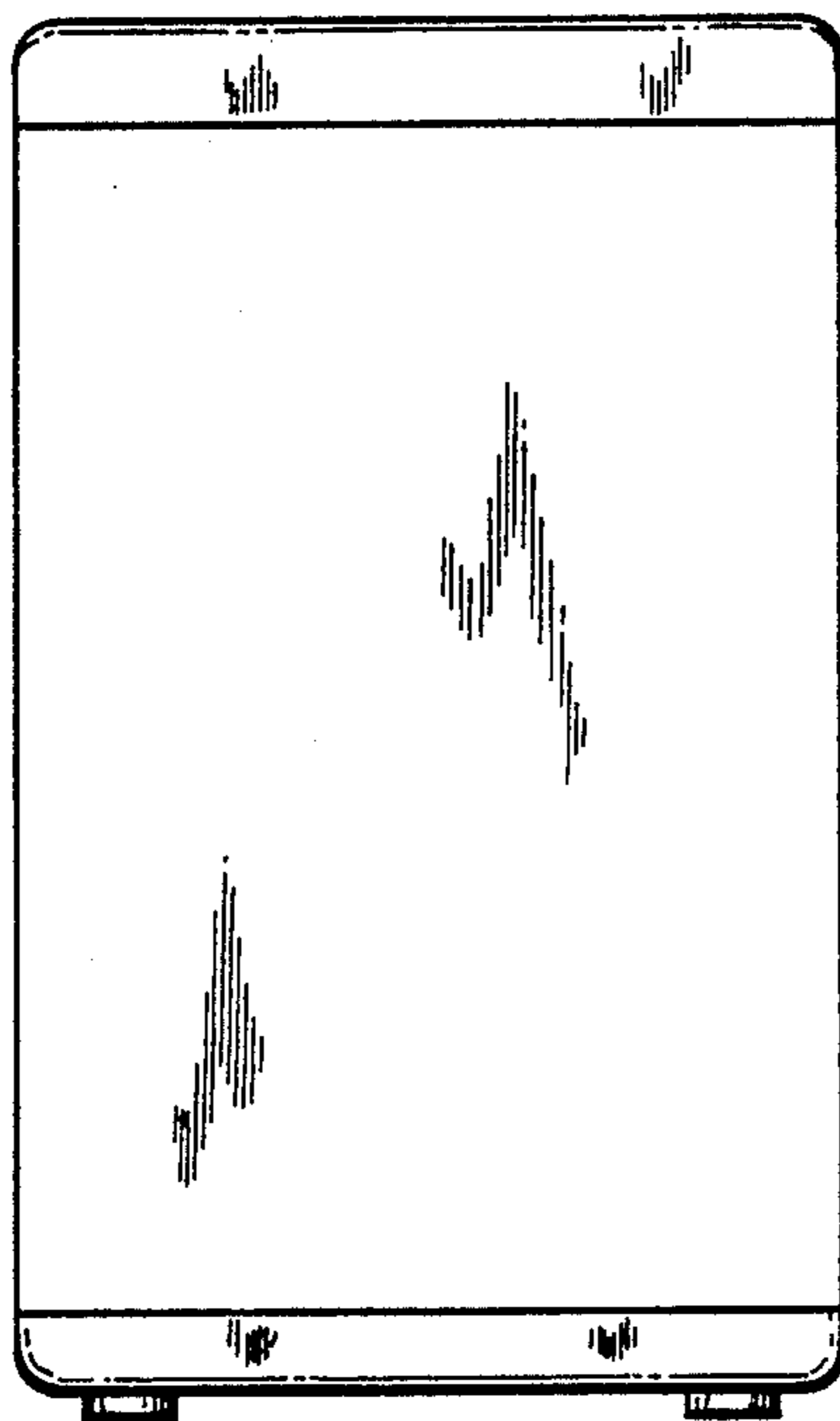


FIG. 5

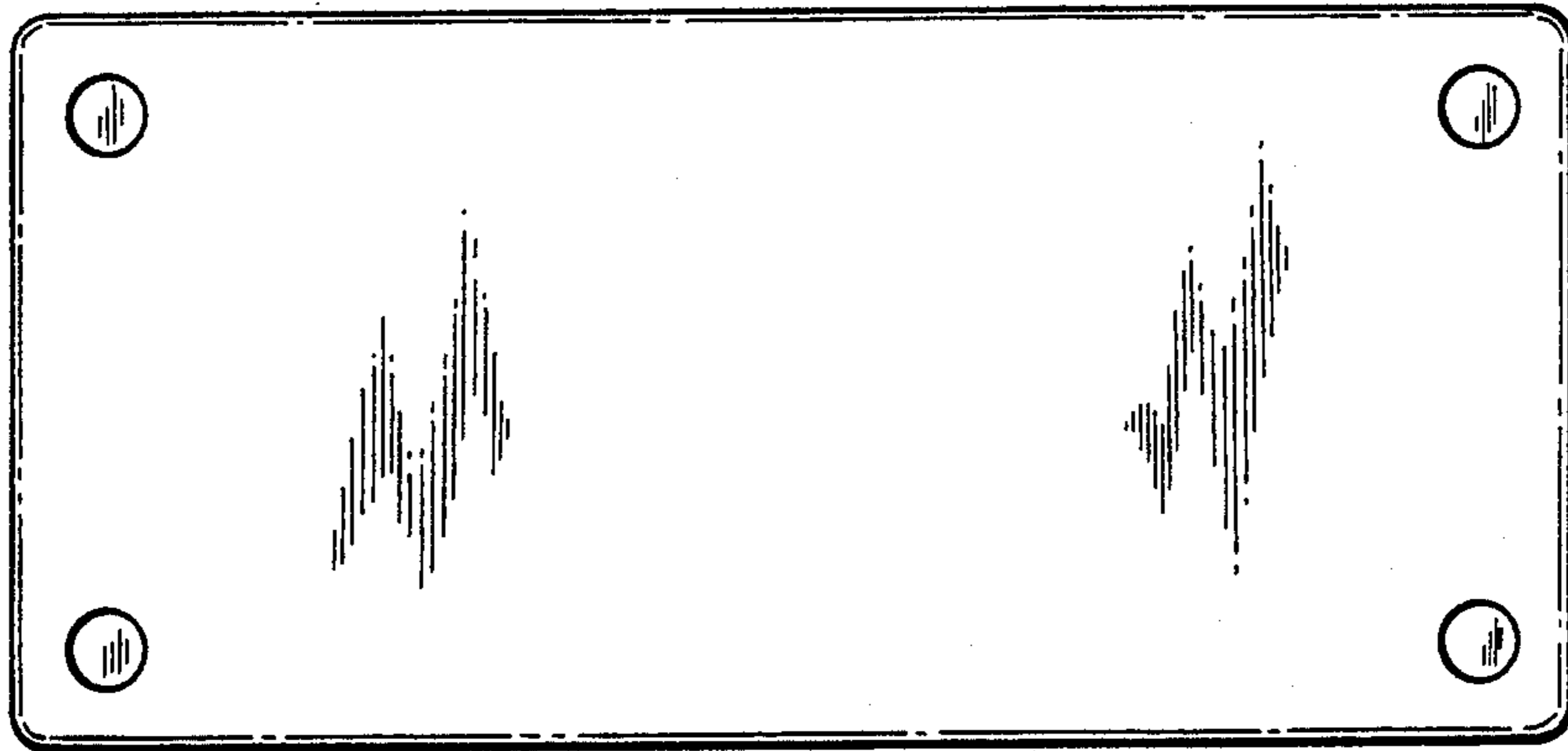


FIG. 6

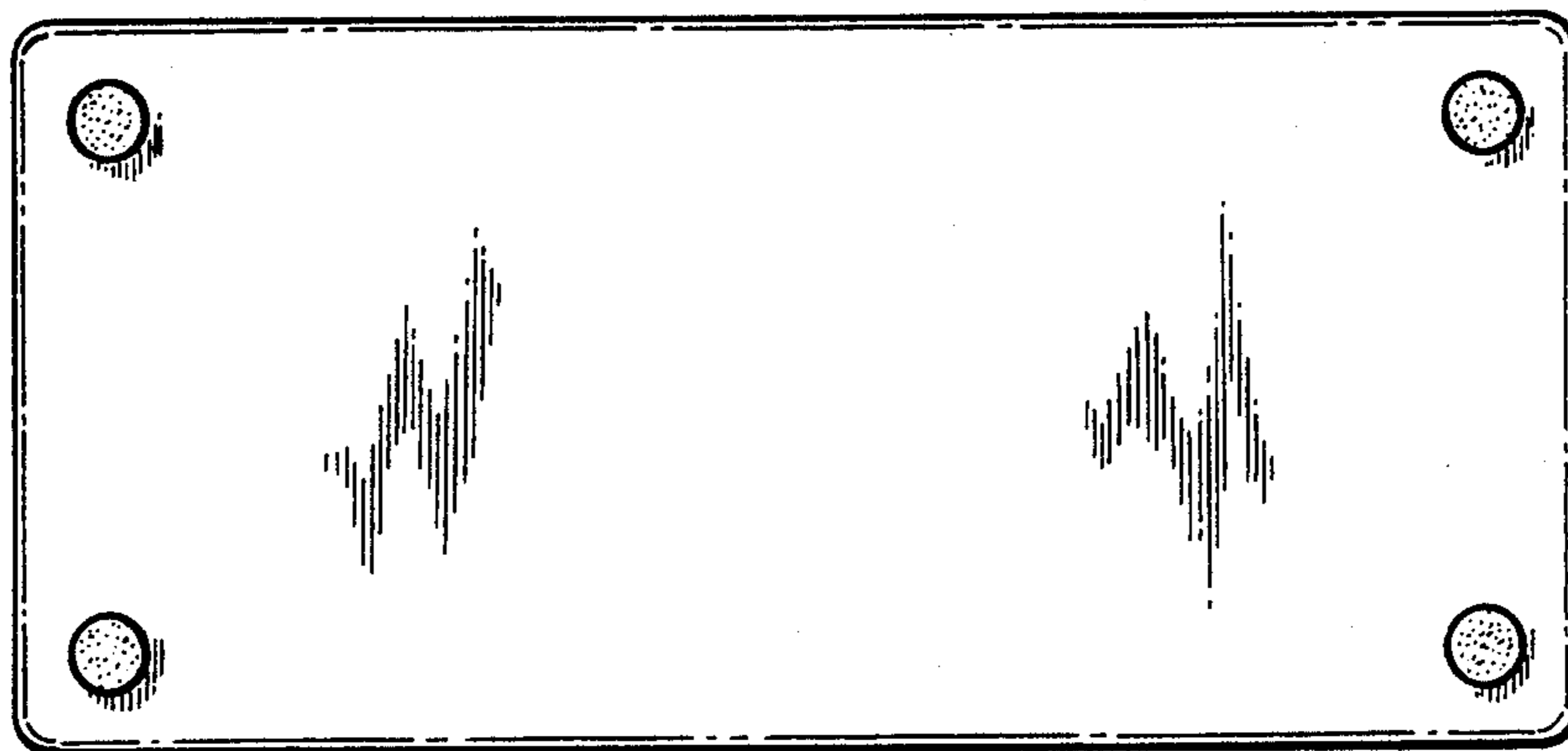


FIG. 7

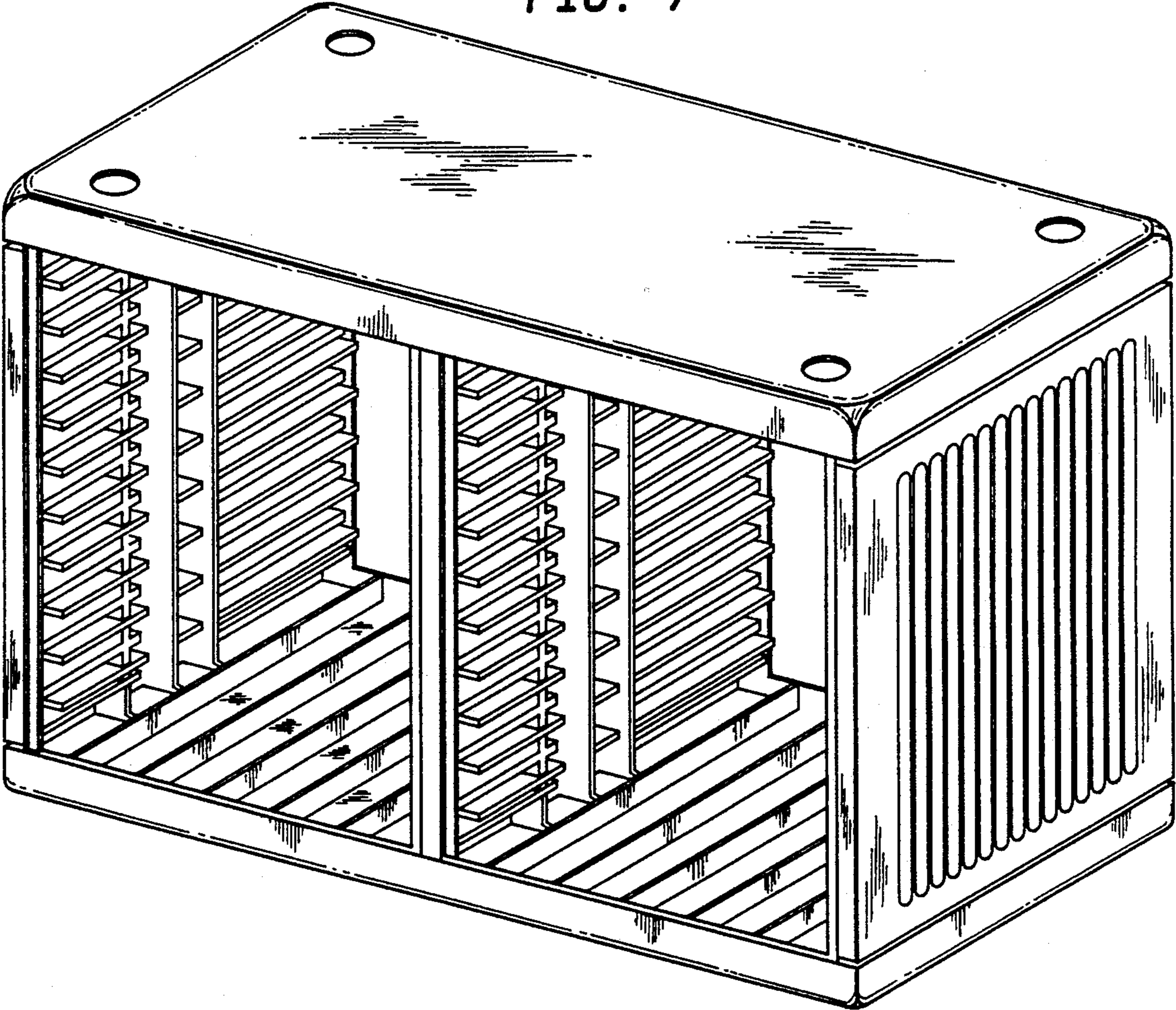


FIG. 8

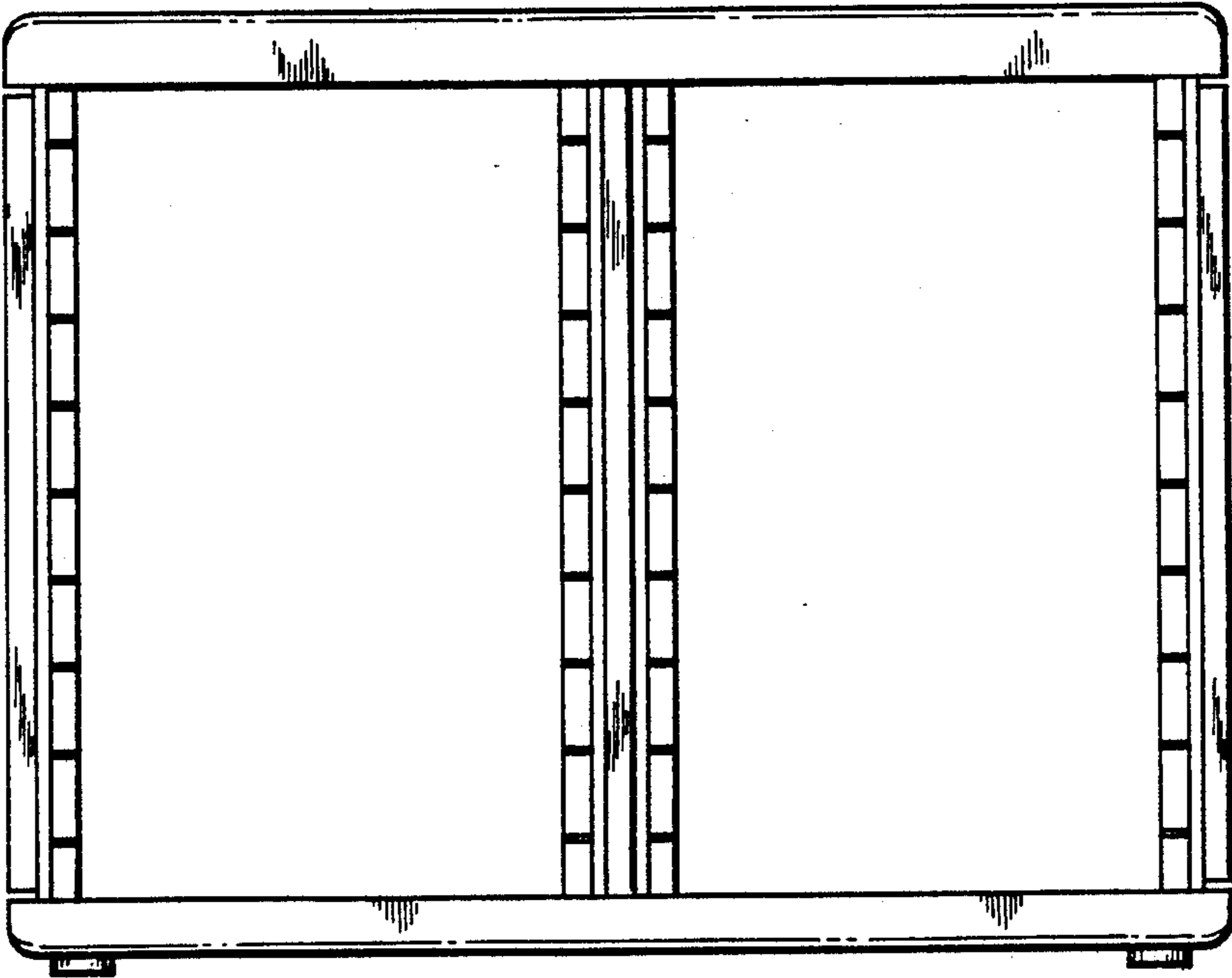


FIG. 9

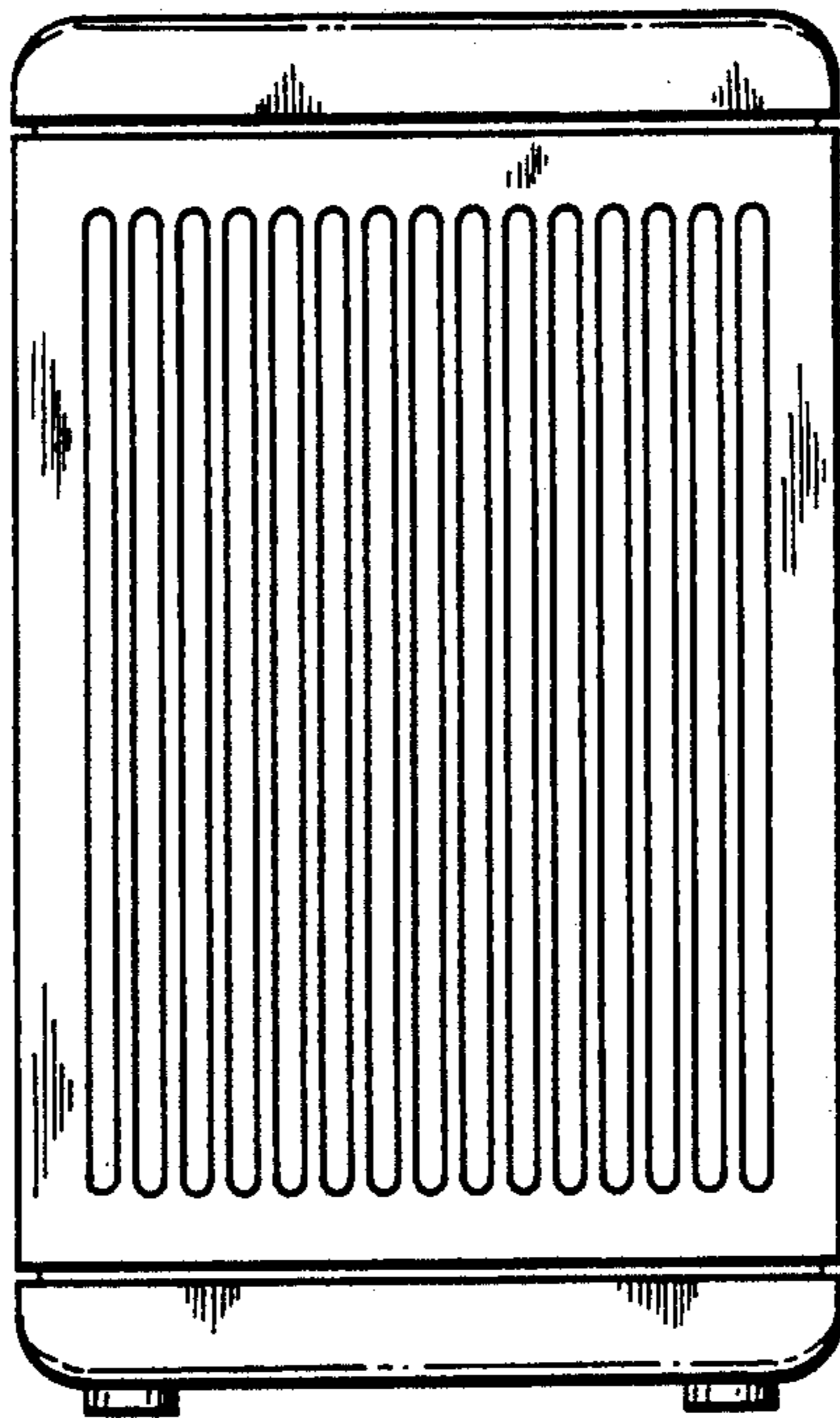


FIG. 10

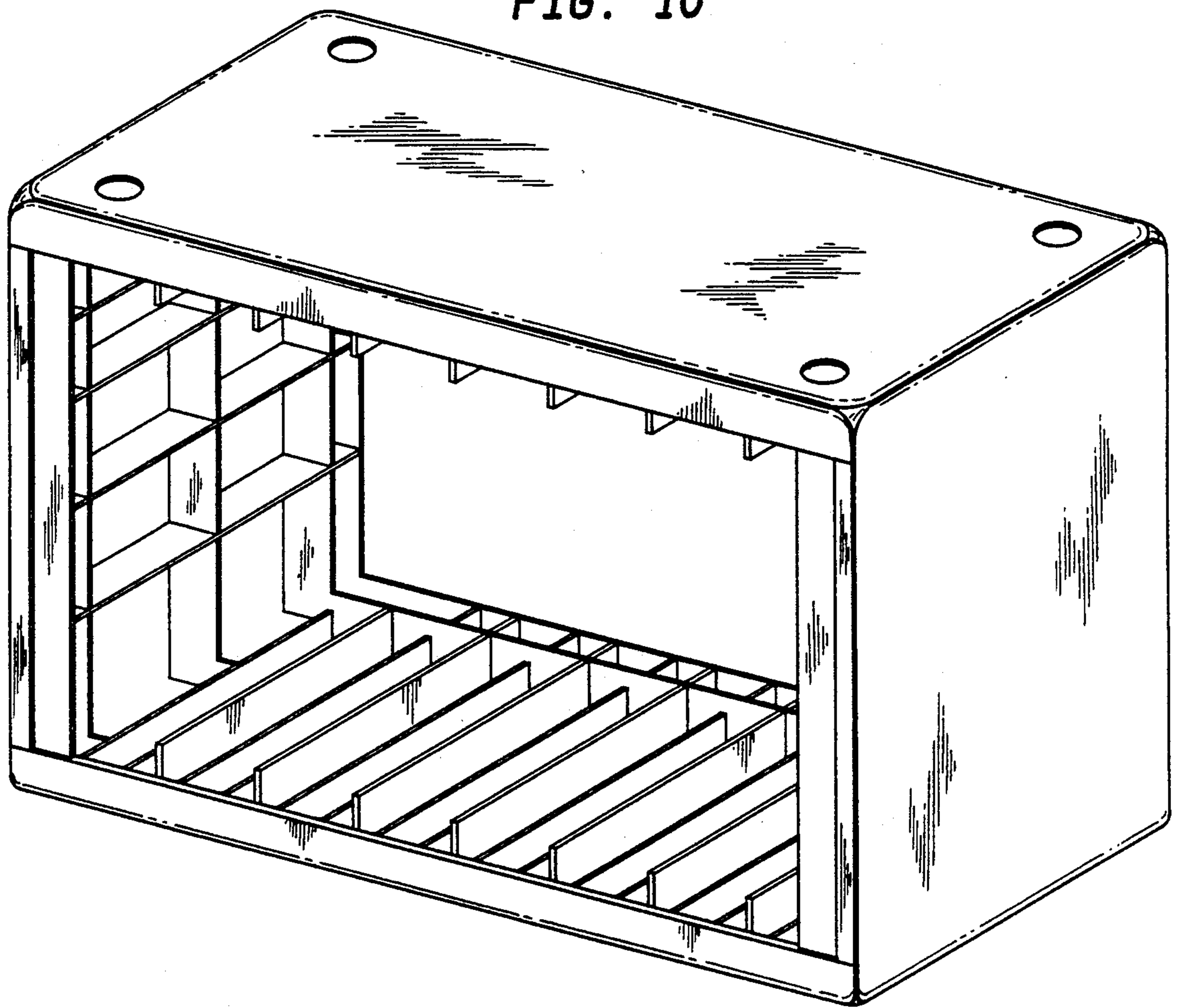


FIG. 11

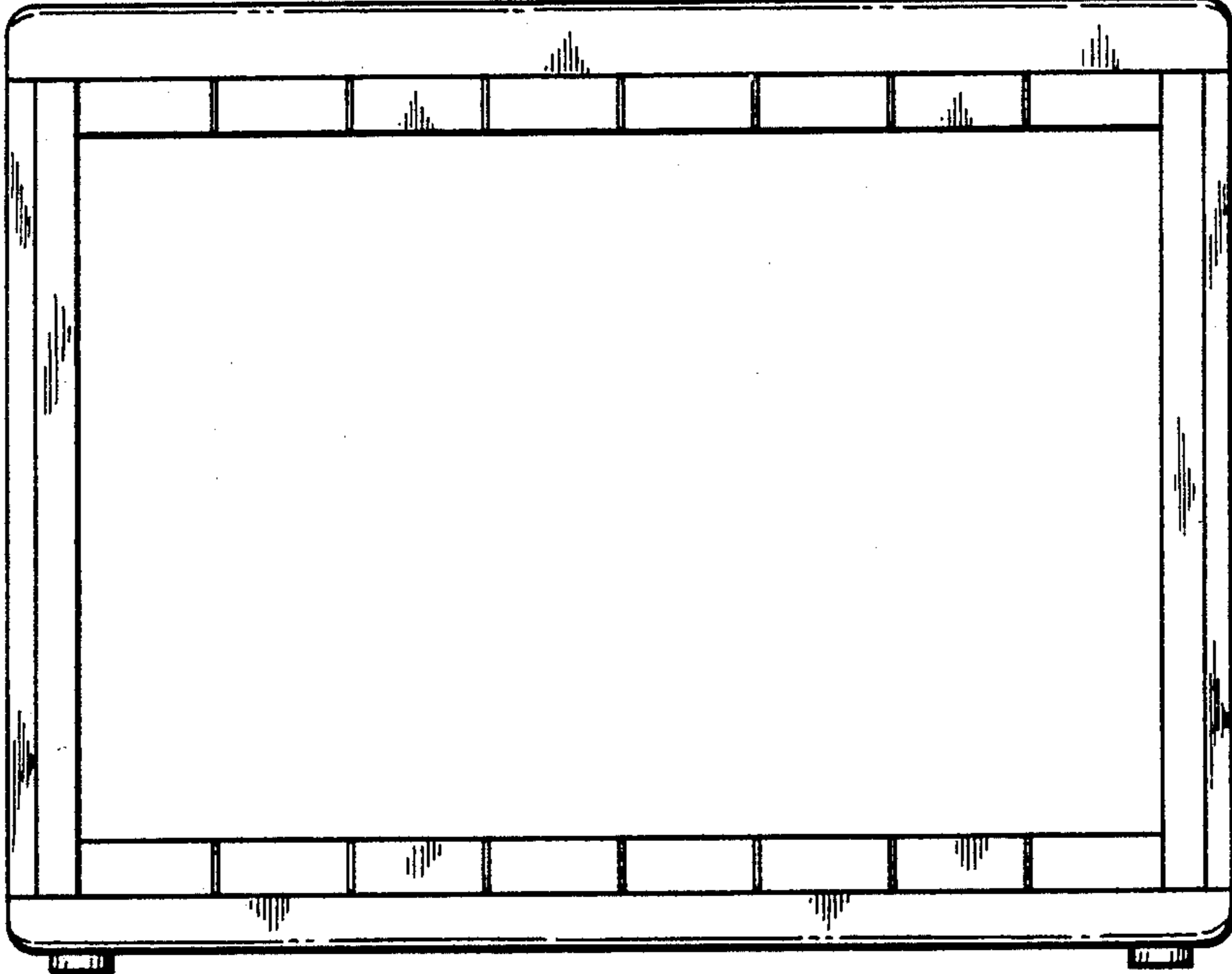


FIG. 12

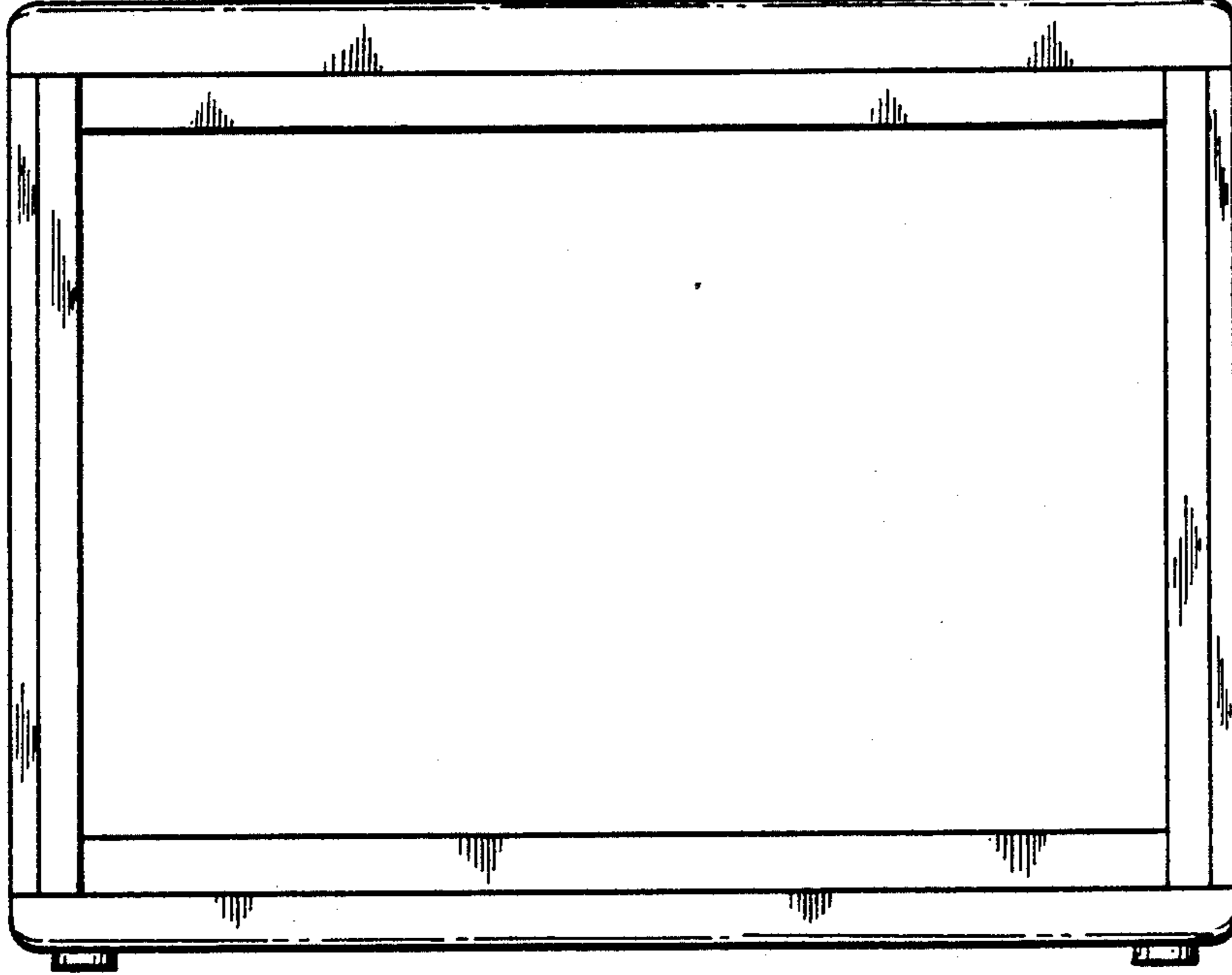


FIG. 13

