

[54] CHAIR

[76] Inventor: Edward G. Novotny, P.O. Box 1537, Rock Springs, Wyo. 82902

[**] Term: 14 Years

[21] Appl. No.: 193,573

[22] Filed: May 13, 1988

[52] U.S. Cl. D6/366

[58] Field of Search D6/334, 335, 360, 366, D6/367, 376, 377, 379, 380, 499, 500, 501, 502, 601

[56] References Cited

U.S. PATENT DOCUMENTS

D. 47,140	3/1915	Newkirk	D6/601
D. 177,722	5/1956	Dlouhy	D6/366
D. 180,393	6/1957	Dlouhy	D6/366 X
D. 291,155	8/1987	Wertheimer	D6/335
D. 293,049	12/1987	Opsuik	D6/366
D. 311,295	10/1990	Roberts	D6/601
1,735,921	11/1929	Franzosa	.	
3,550,953	12/1970	Neale	.	
3,749,442	7/1973	Berg	.	

OTHER PUBLICATIONS

Schömer Wohnen, 5/1985, p. 57, Stool/Side Table shown bottom left.

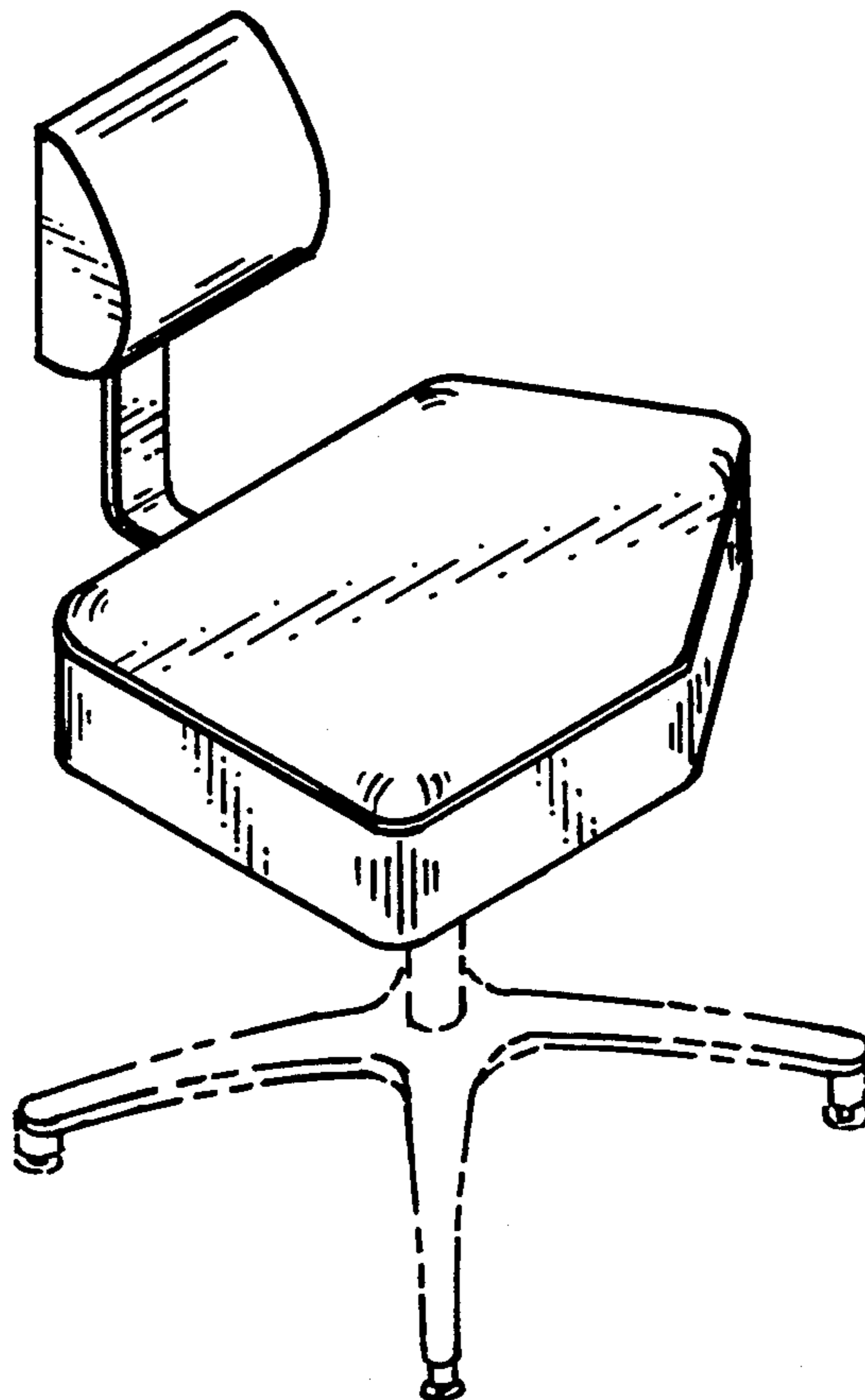
Primary Examiner—Bruce W. Dunkins
Assistant Examiner—Gary D. Watson
Attorney, Agent, or Firm—Trask, Britt & Rossa

[57] CLAIM

The ornamental design for a chair, as shown and described.

DESCRIPTION

FIG. 1 is a front perspective view of a chair showing my new design;
FIG. 2 is a front elevational view thereof;
FIG. 3 is a rear elevational view thereof;
FIG. 4 is a right side elevational view thereof;
FIG. 5 is a left side elevational view thereof;
FIG. 6 is a top plan view thereof;
FIG. 7 is a bottom plan view thereof;
FIG. 8 is a front perspective view of a second embodiment of the chair shown in FIG. 1;
FIG. 9 is a front perspective view of a third embodiment of the chair shown in FIG. 1; and
FIG. 10 is a front perspective view of a fourth embodiment of the chair shown in FIG. 1.
The base indicated by means of broken lines in FIG. 1 has been shown for illustrative purposes only.



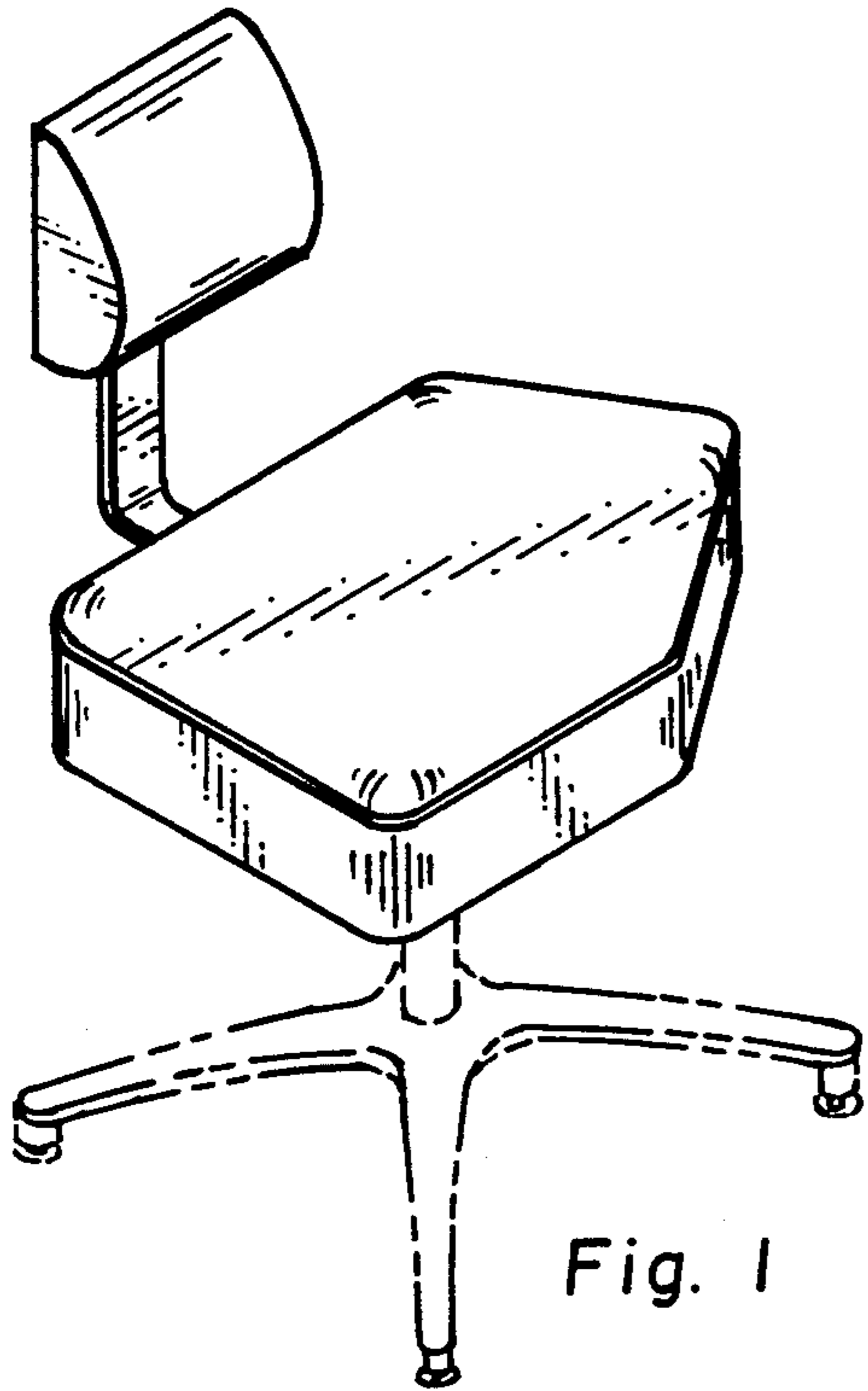


Fig. 1

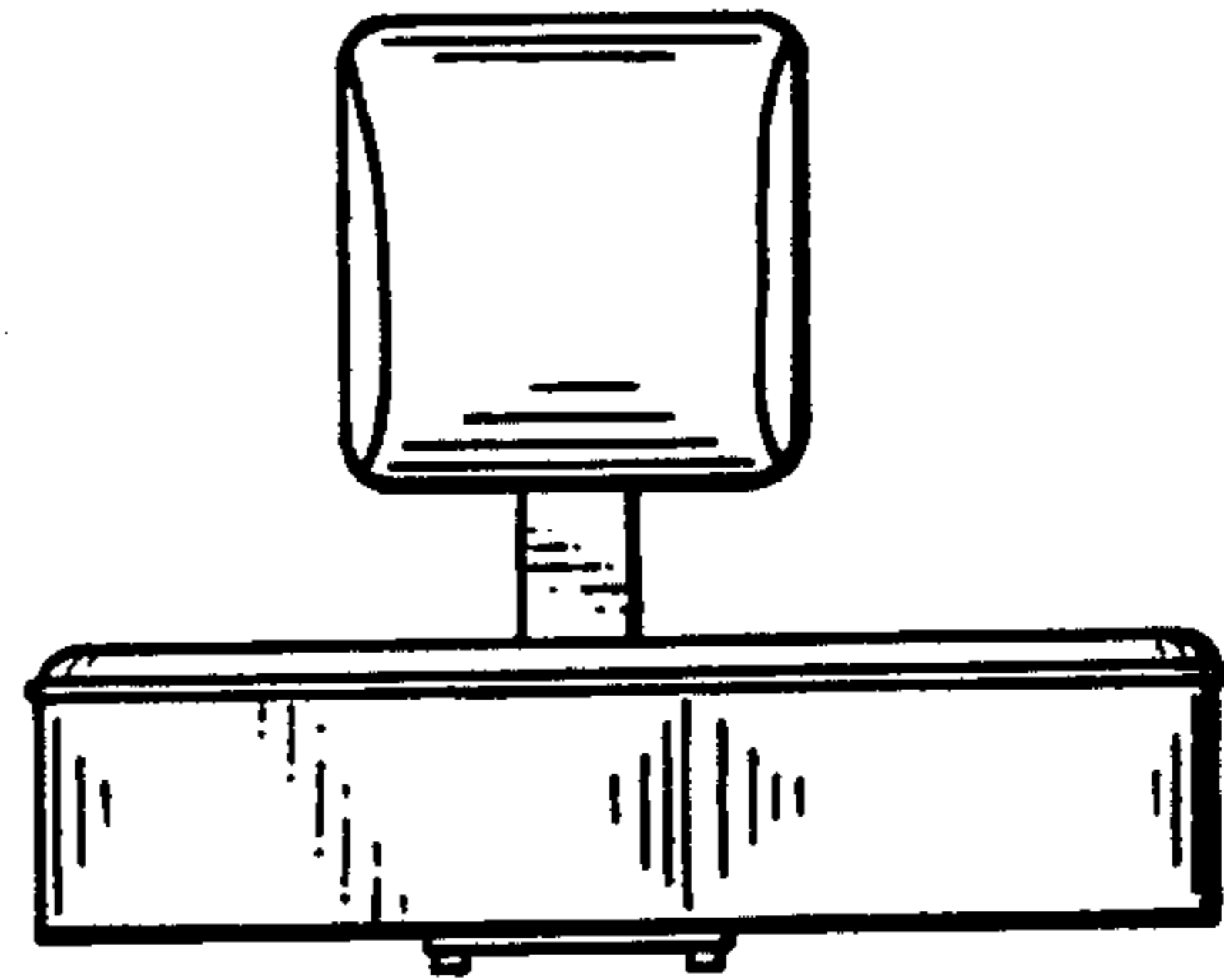


Fig. 2

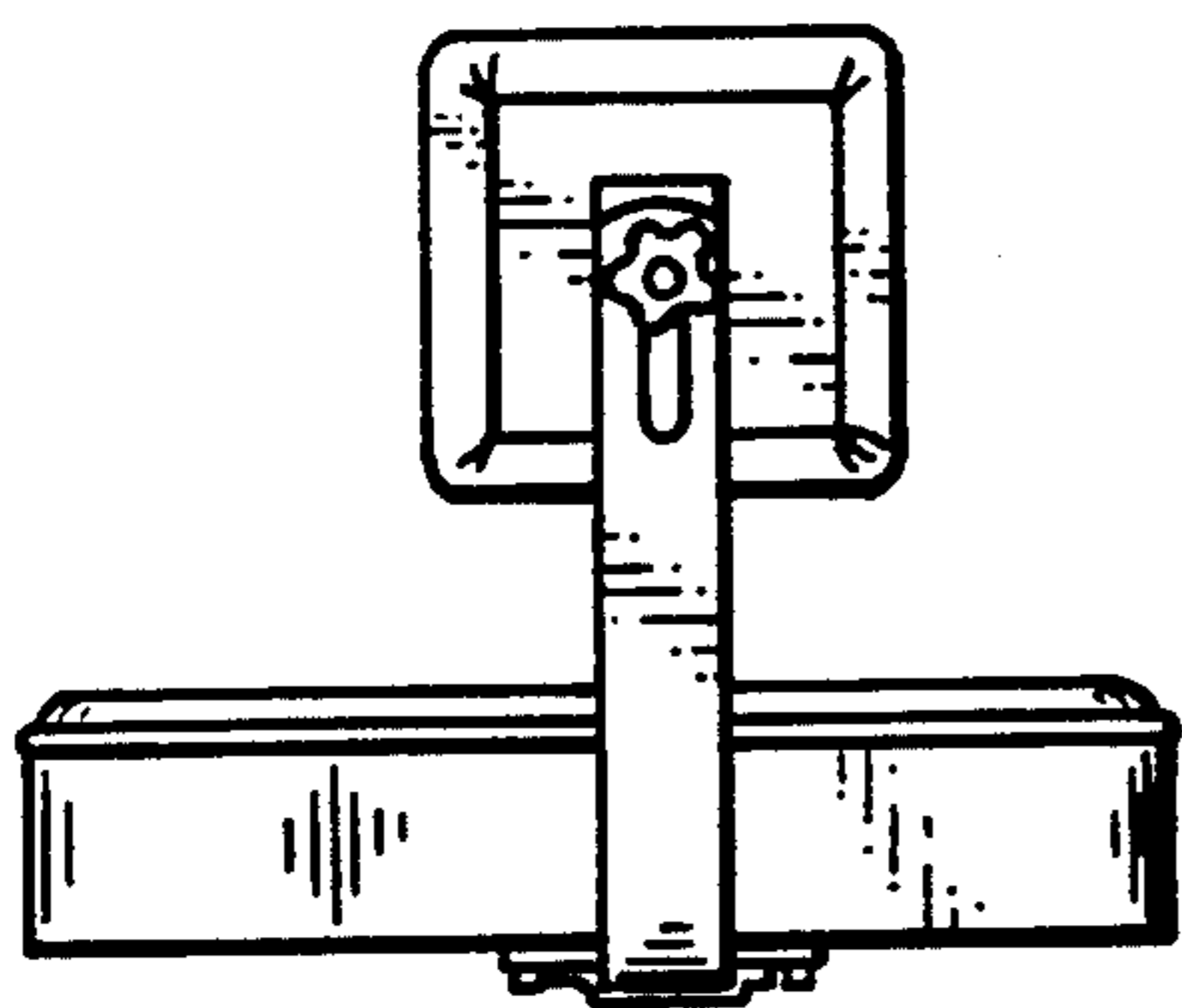


Fig. 3

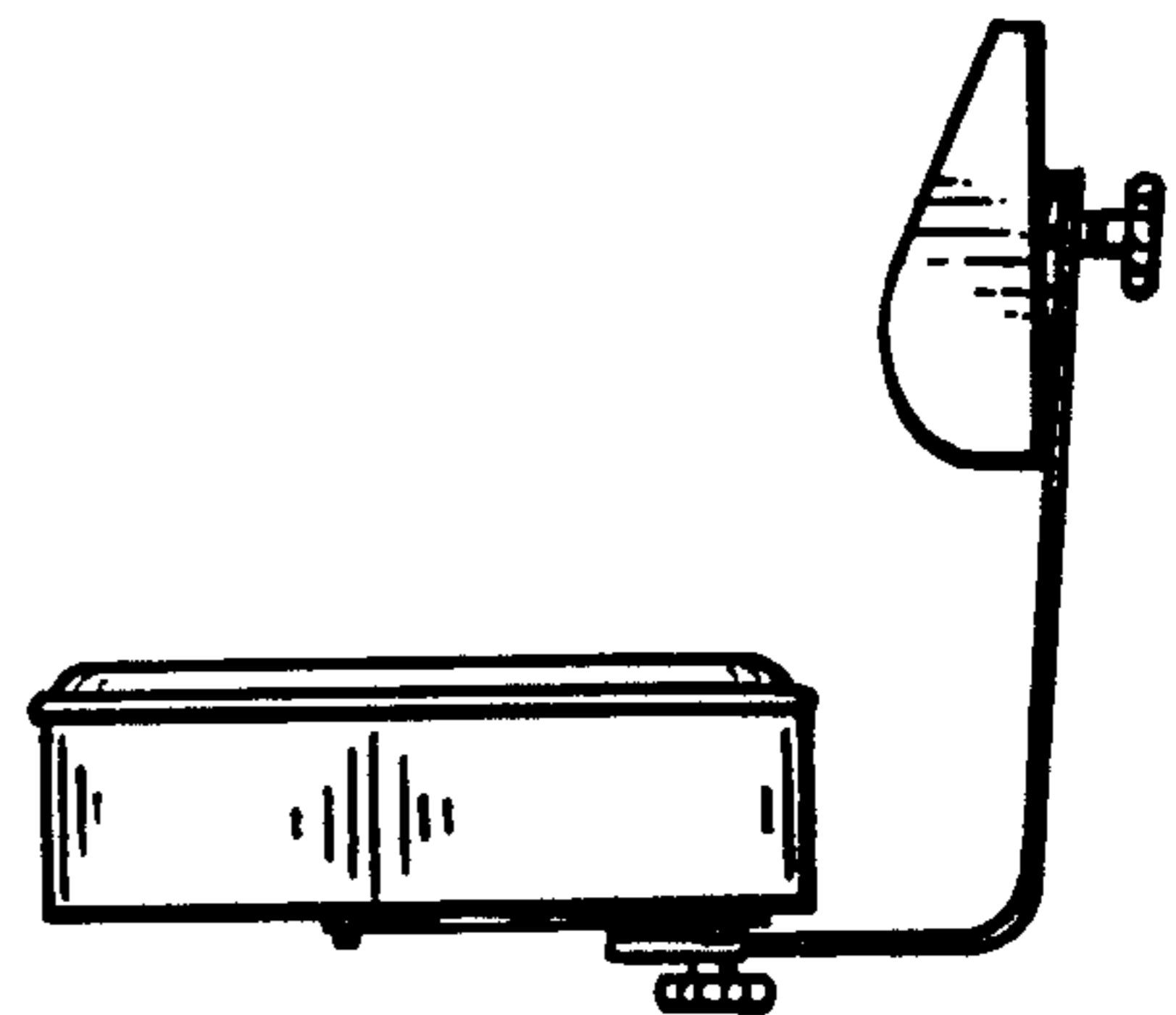


Fig. 4

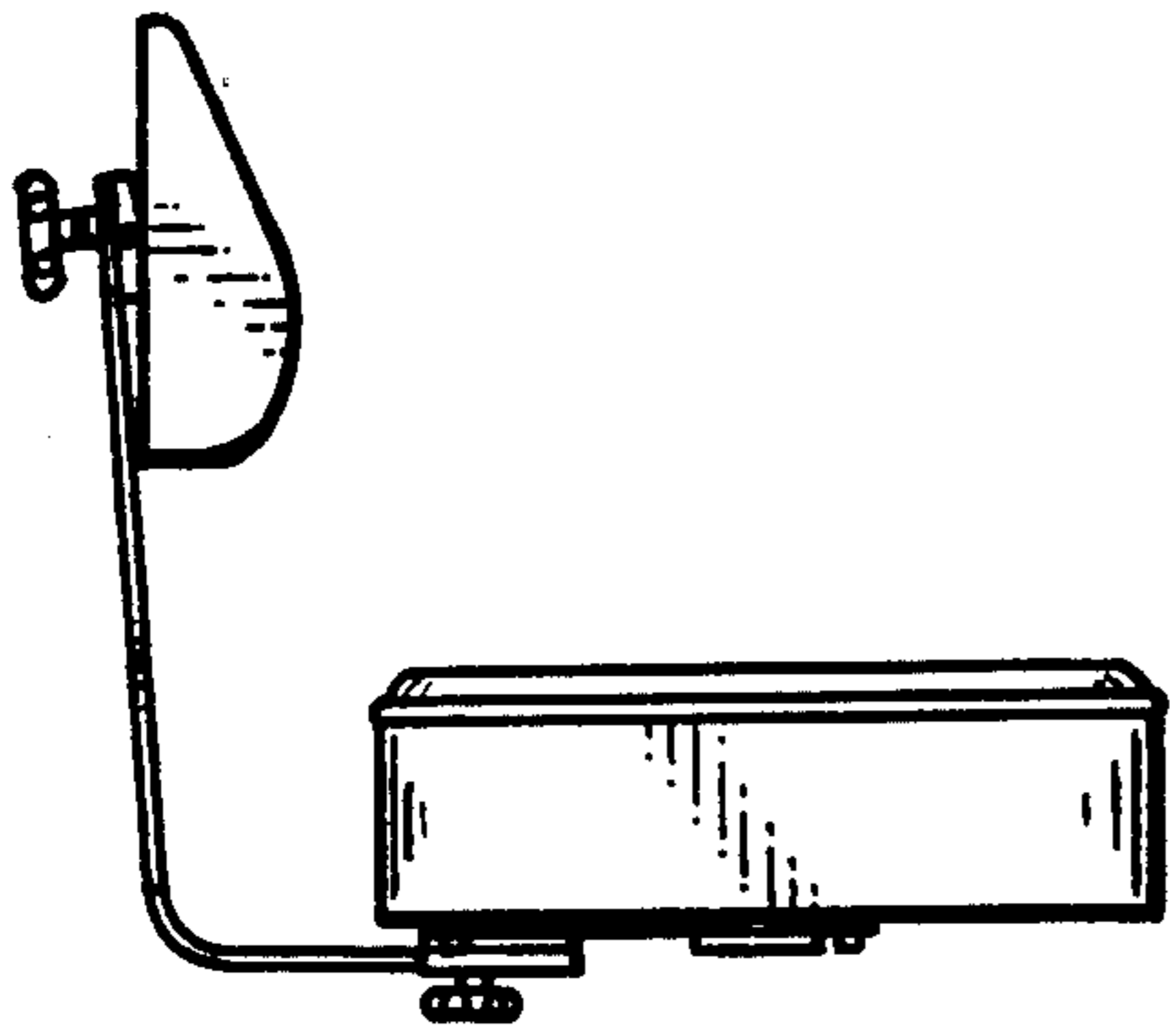


Fig. 5

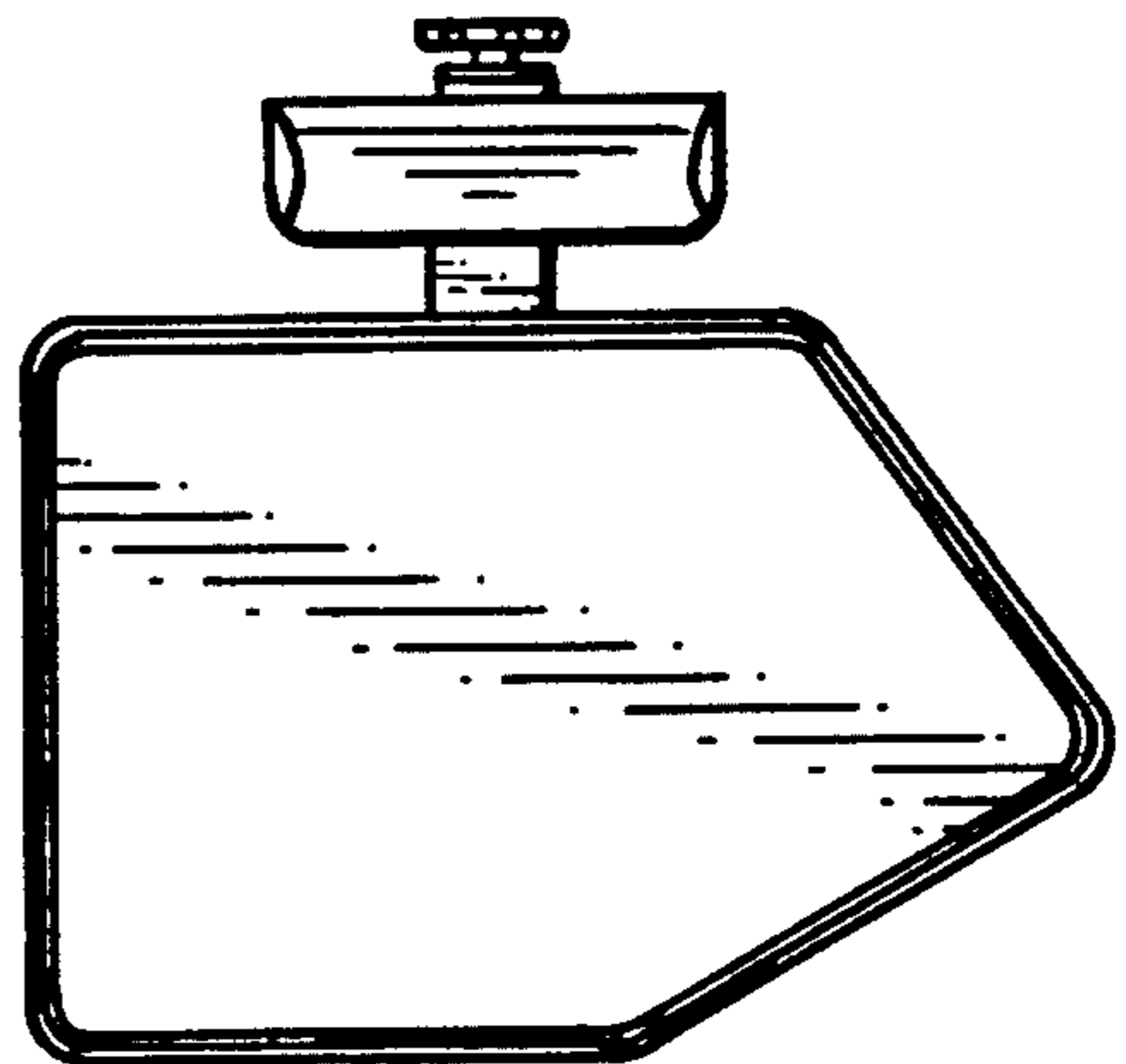


Fig. 6

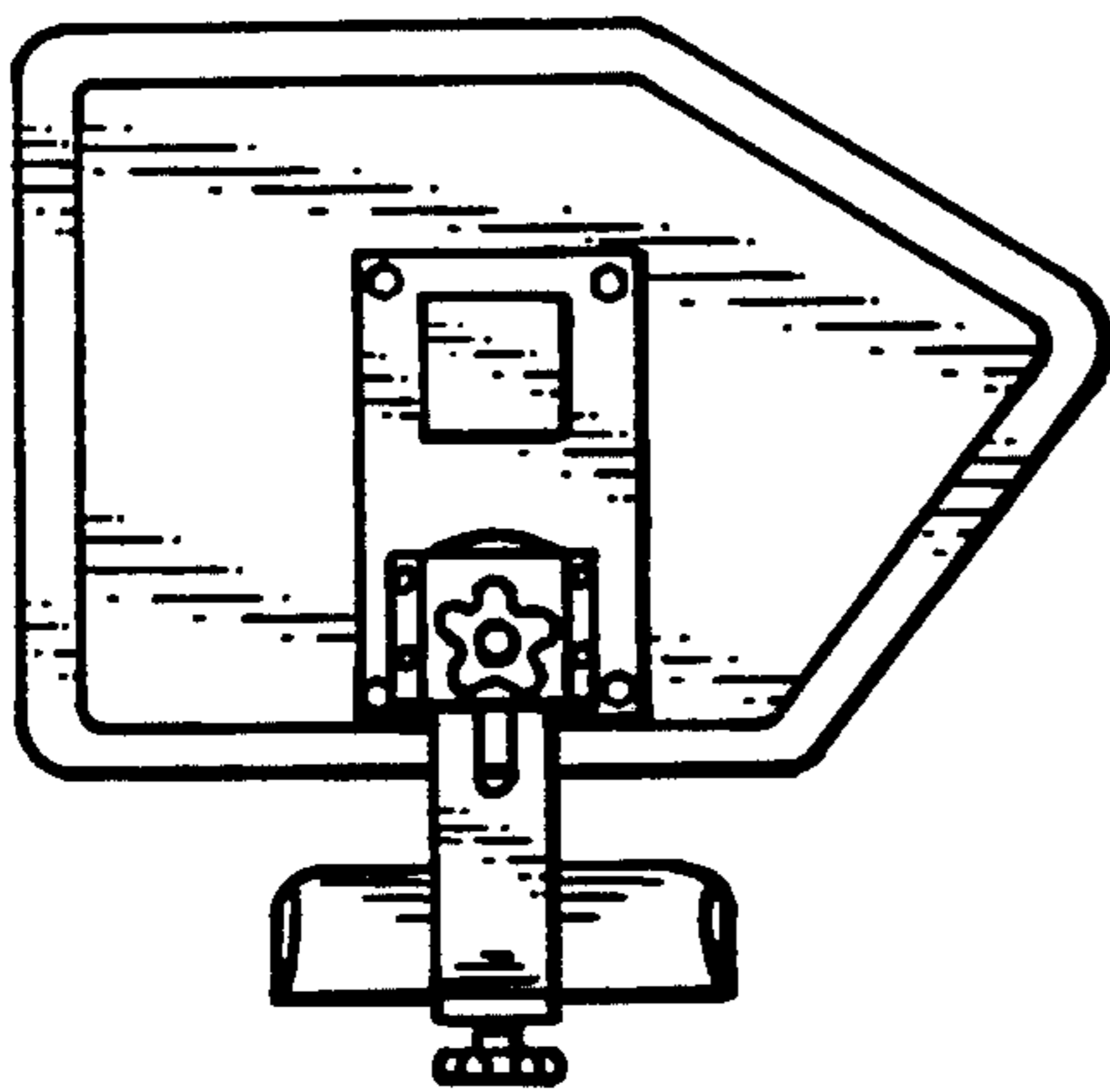


Fig. 7

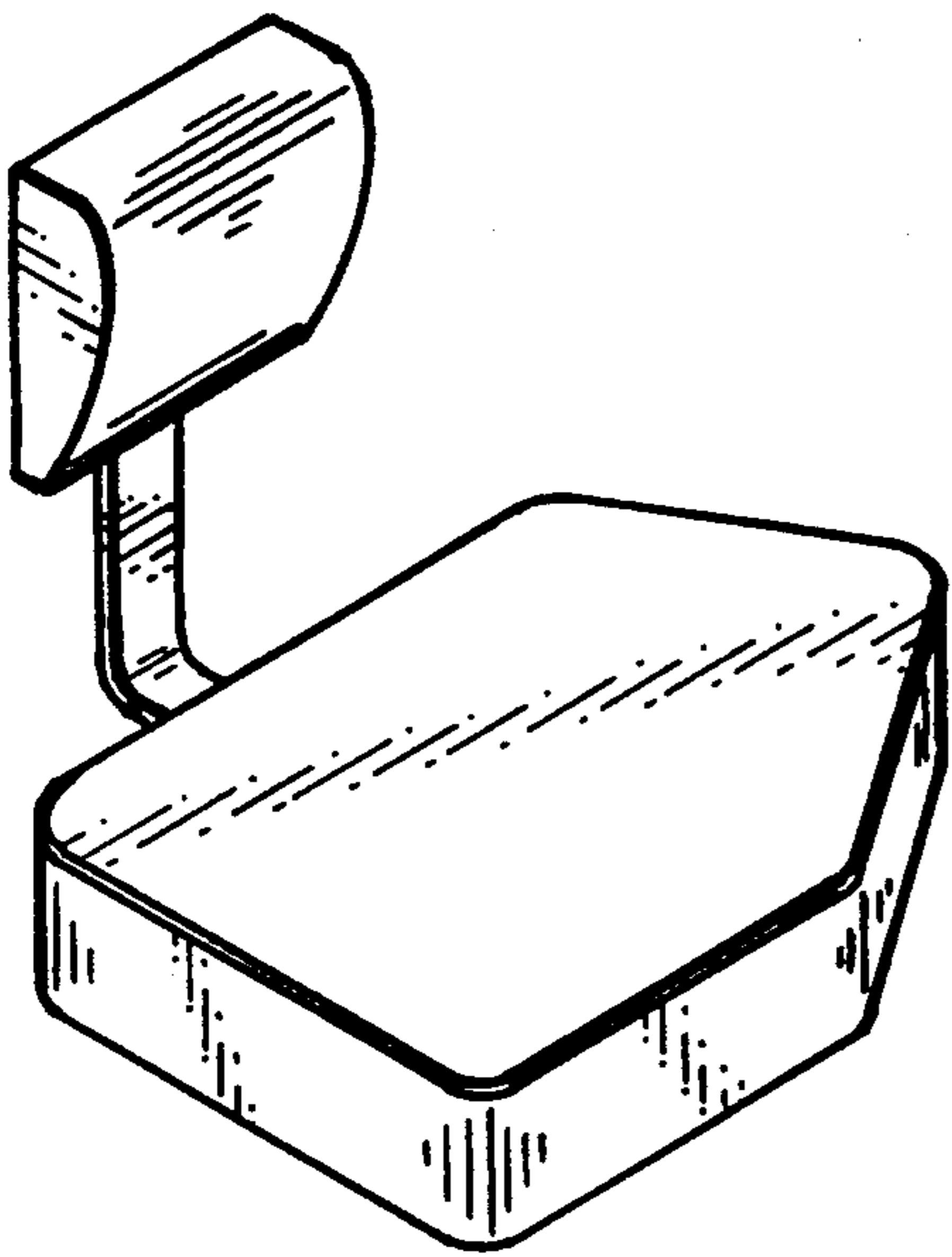


Fig. 8

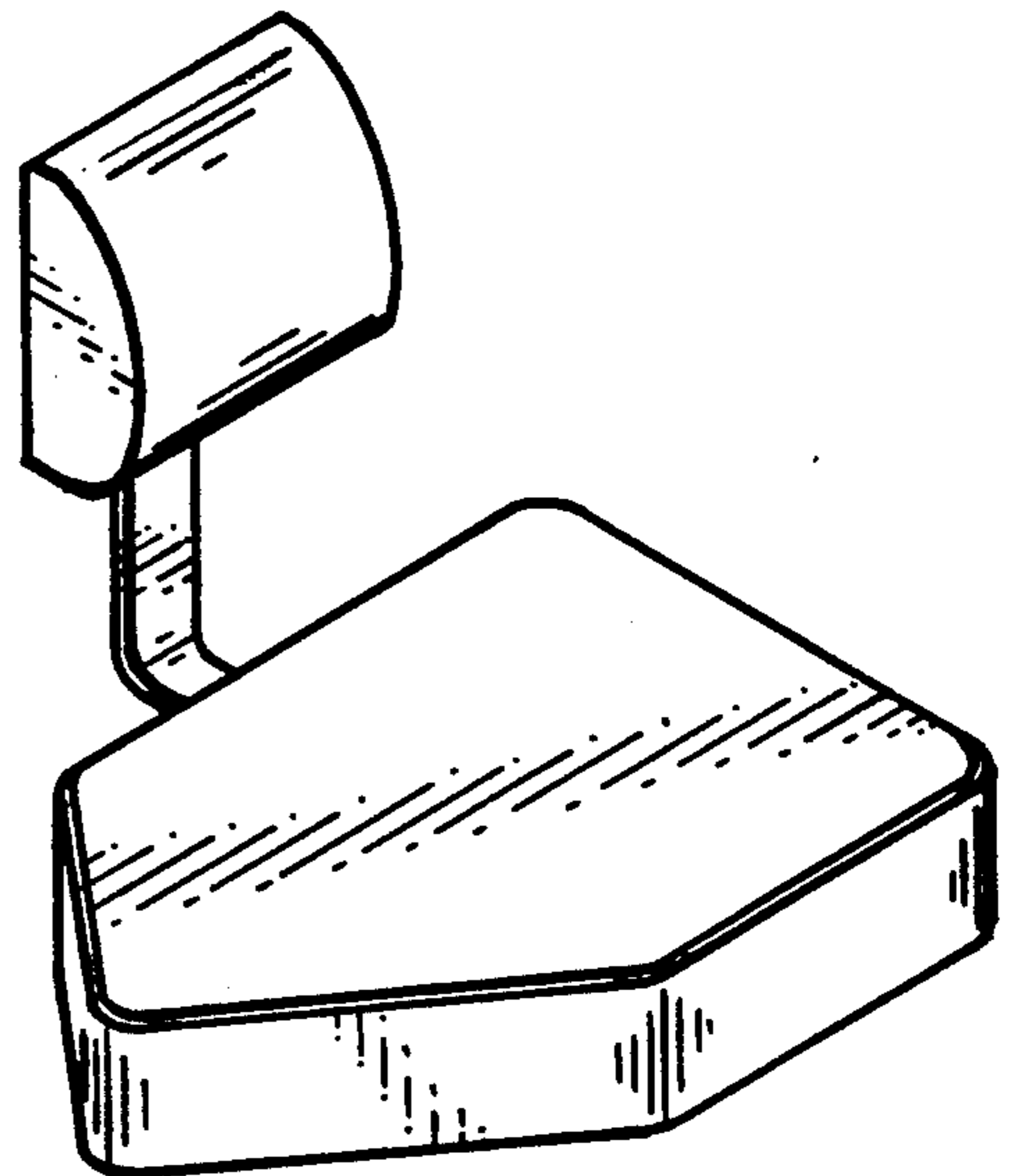


Fig. 9

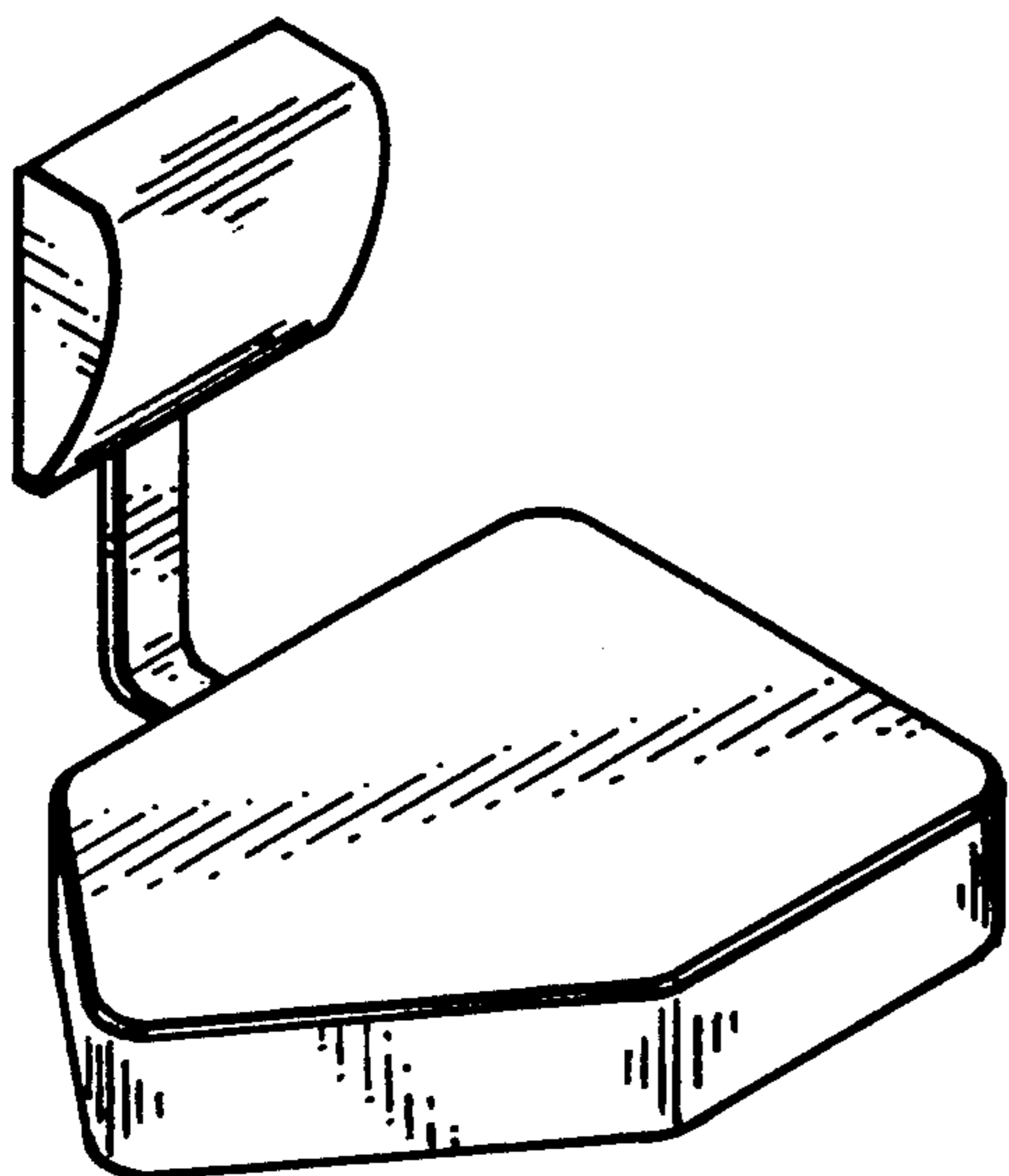


Fig. 10