

[54] ROCKABLE FOOT STOOL

2,983,309 5/1961 Brantl ..... 297/439

[76] Inventor: Emily R. Burkhart, 11 S. Richmond Ave., Atlantic City, N.J. 08401

Primary Examiner—Bruce W. Dunkins  
Assistant Examiner—Janice E. Seeger  
Attorney, Agent, or Firm—Bernard J. Murphy

[\*\*] Term: 14 Years

[21] Appl. No.: 360,701

[22] Filed: May 30, 1989

[52] U.S. Cl. .... D6/349; D6/348

[58] Field of Search ..... D6/349-353,  
D6/348

[57] CLAIM

The ornamental design for a rockable foot stool, as shown and described.

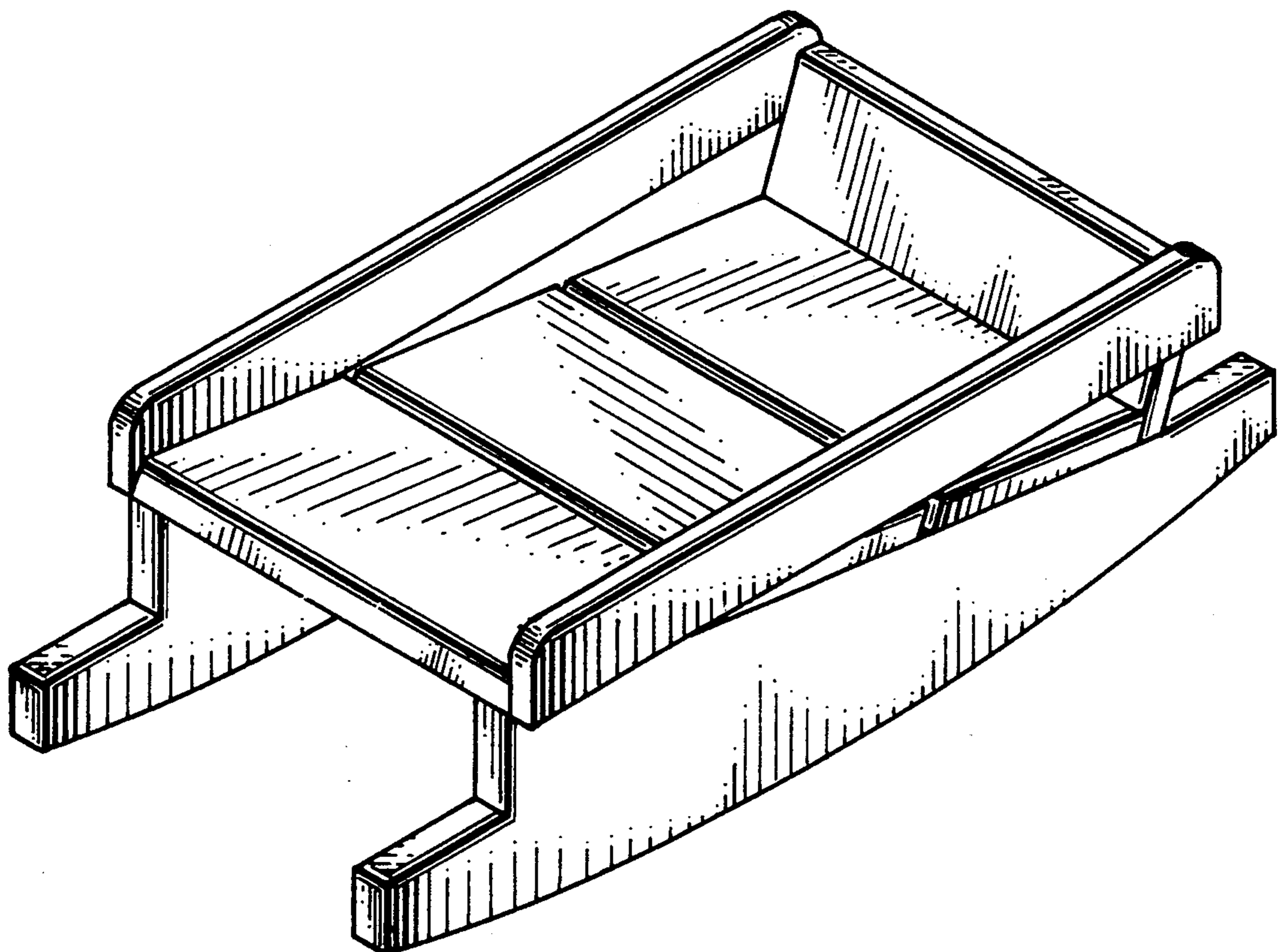
DESCRIPTION

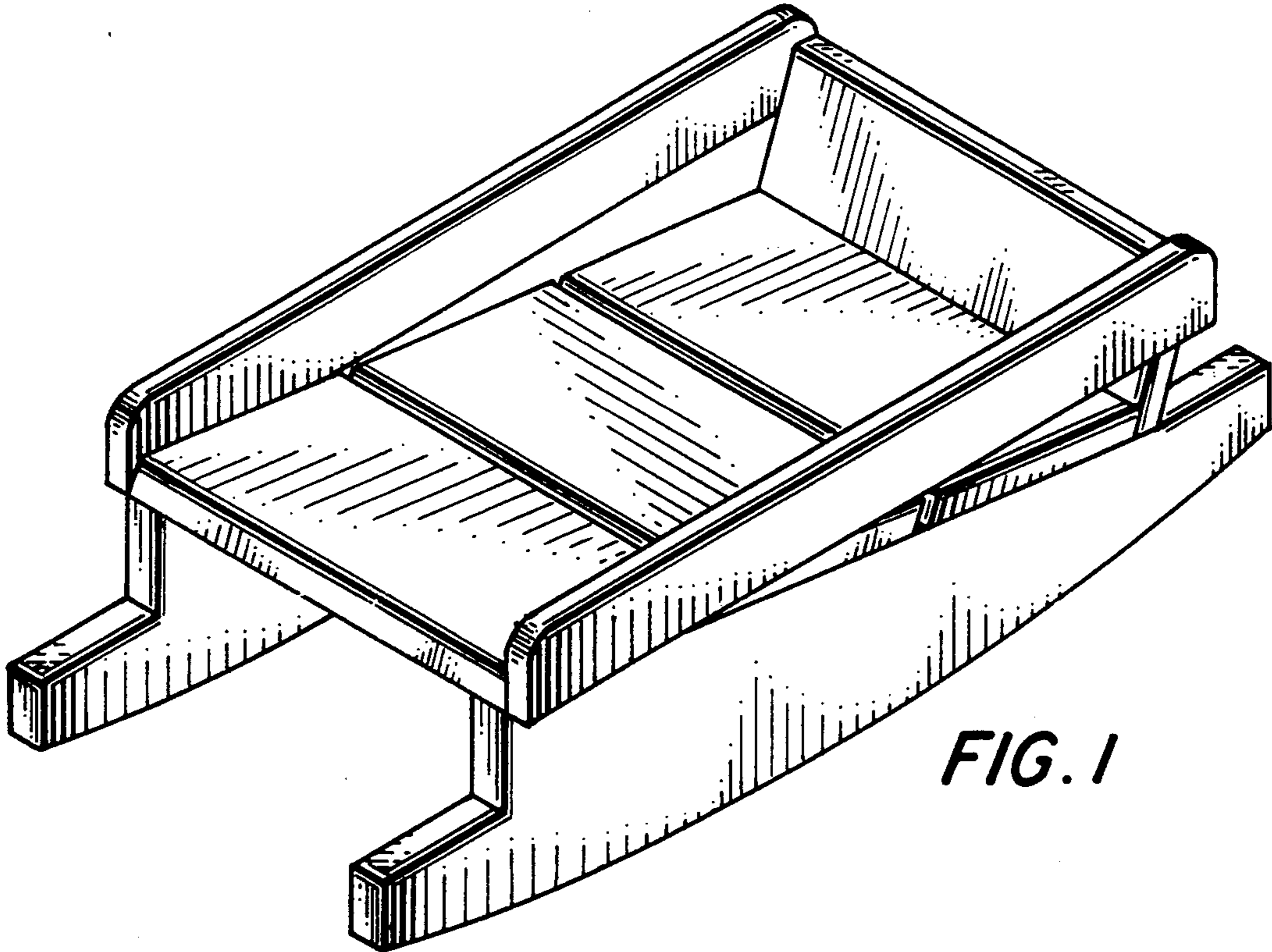
FIG. 1 is a perspective view of a rockable foot stool, showing my new design;  
FIG. 2 is a top plan view;  
FIG. 3 is a bottom plan view;  
FIG. 4 is a side elevational view, the opposite side being a mirror image thereof;  
FIG. 5 is an end elevational view, taken from the right in FIG. 2; and  
FIG. 6 is an end elevational view, taken from the left in FIG. 2.  
FIGS. 2-6 have been drawn to a reduced scale with respect to FIG. 1.

[56] References Cited

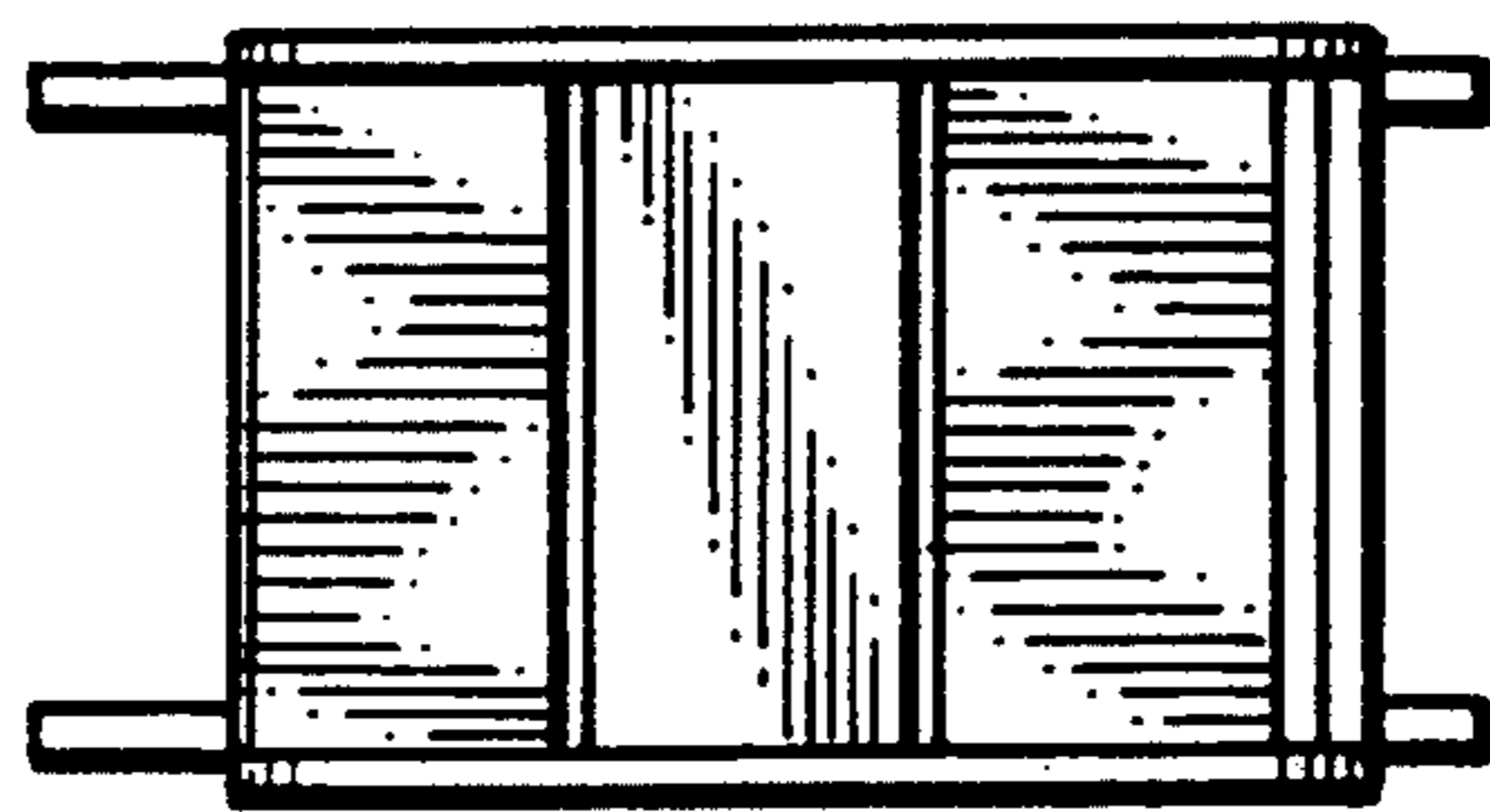
U.S. PATENT DOCUMENTS

D. 60,621	3/1922	Marra	.....	D6/348
D. 222,907	2/1972	Rymes	.....	D6/495
D. 241,190	8/1976	Blinn	.....	D6/348 X
D. 242,683	12/1976	Osborne	.....	D6/348
D. 254,279	2/1980	Phillips	.....	D6/348
D. 259,156	5/1981	Massow	.....	D6/348
D. 267,055	11/1982	Cubbage, Jr.	.....	D6/348
D. 278,293	4/1985	Strang	.....	D6/348



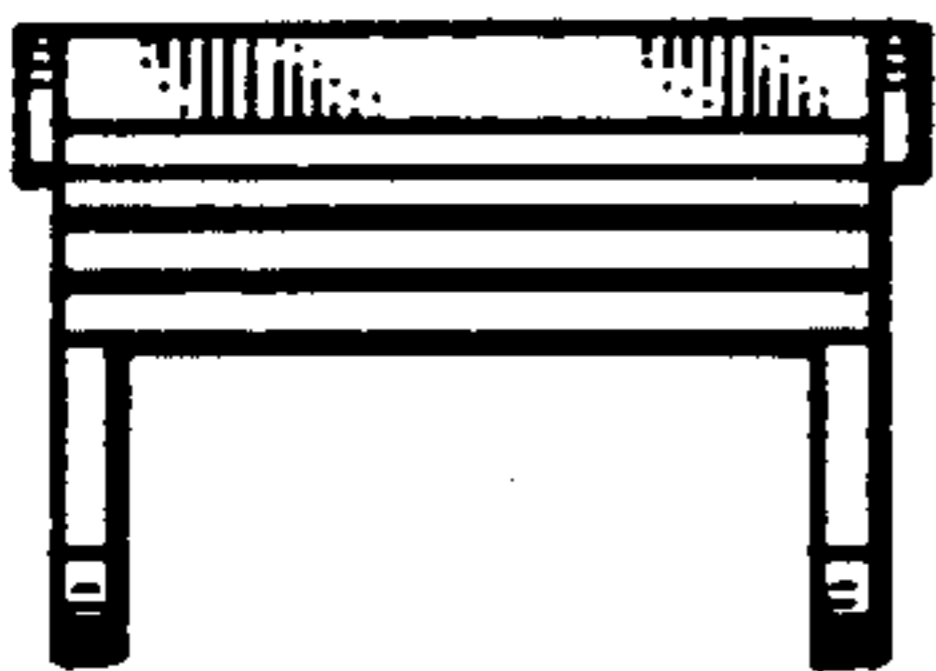


*FIG. 1*



*FIG. 2*

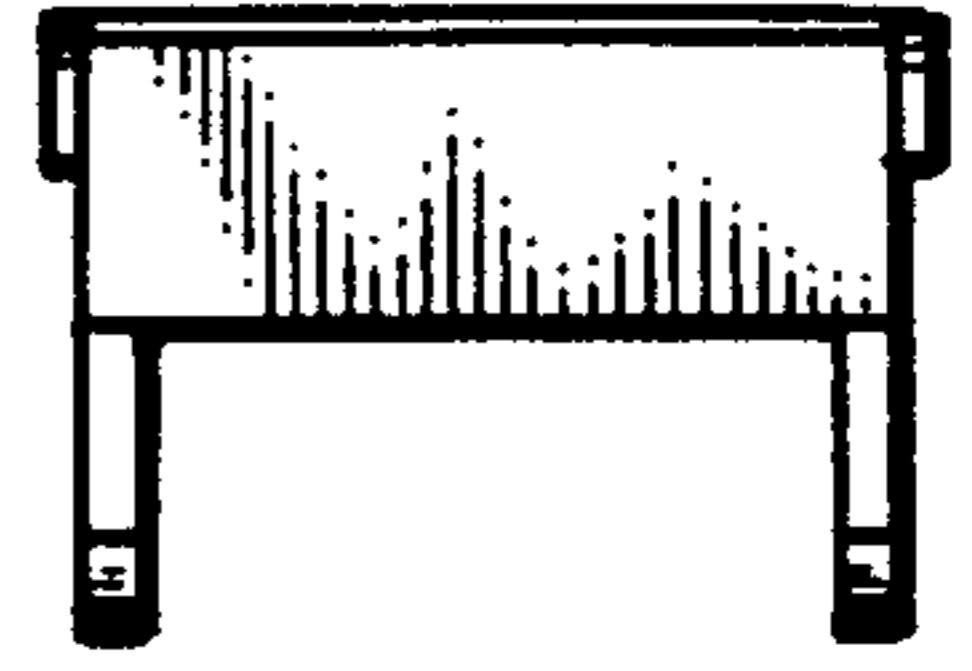
*FIG. 6*



*FIG. 4*



*FIG. 5*



*FIG. 3*

