

[54] STEP STOOL

[75] Inventor: Kenneth M. Dewing, Anaheim, Calif.

[73] Assignee: Endurequest Corporation, Porterville, Calif.

[\*\*] Term: 14 Years

[21] Appl. No.: 90,038

[22] Filed: Aug. 27, 1987

[52] U.S. Cl. .... D6/349

[58] Field of Search ..... D6/350, 349, 354, 355, D6/466, 474, 477

[56] References Cited

U.S. PATENT DOCUMENTS

- D. 198,679 7/1964 Cartner ..... D6/350
- D. 207,564 5/1967 Hartford ..... D6/474
- D. 224,994 10/1972 Sokolowski ..... D6/349

- D. 273,919 5/1984 Pasinski ..... D6/350
- D. 285,149 8/1986 Matity ..... D6/350
- 2,528,838 11/1950 Martino ..... D6/474

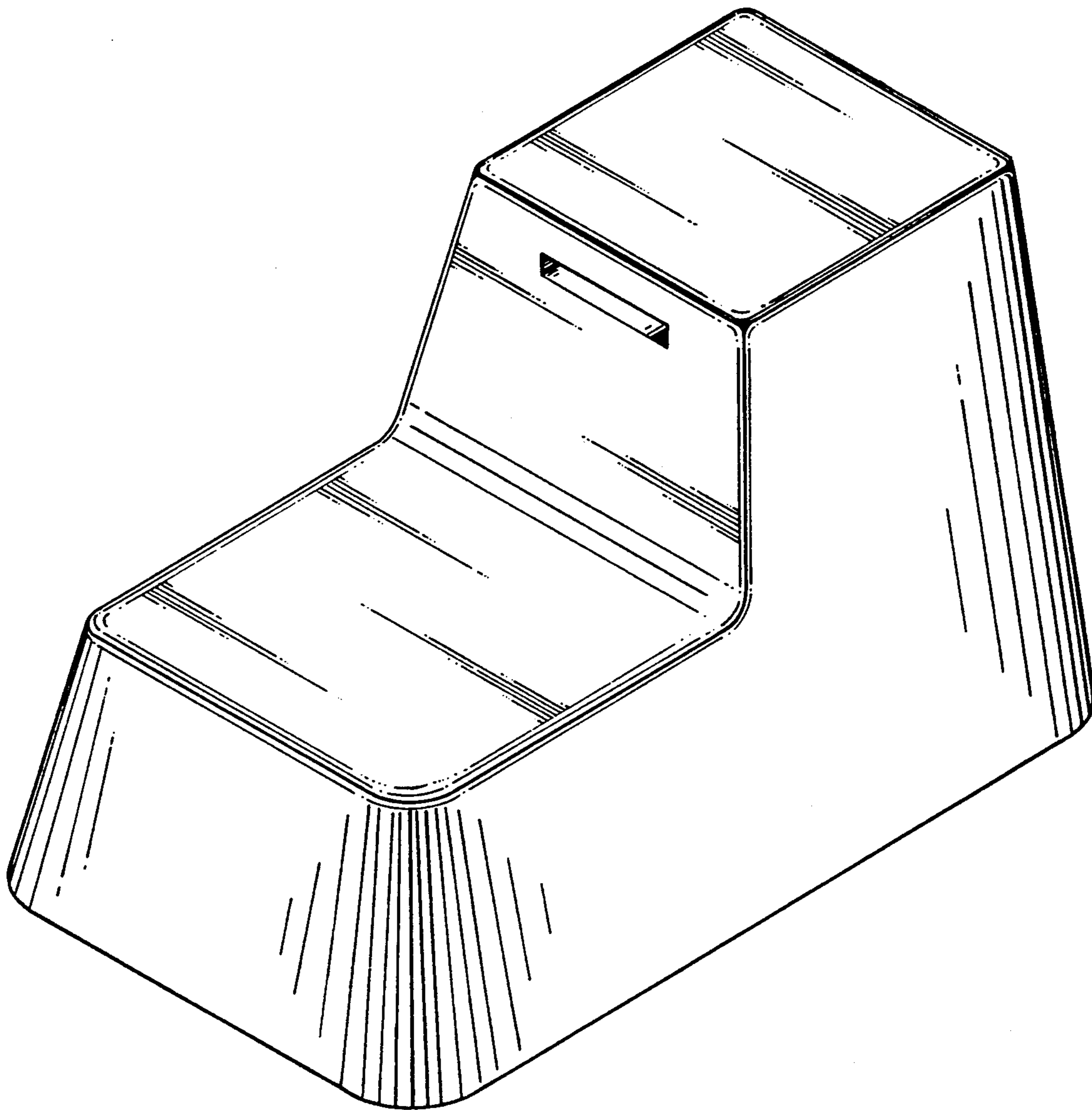
Primary Examiner—Nelson C. Holtje  
Assistant Examiner—J. H. Musgrove  
Attorney, Agent, or Firm—Christie, Parker & Hale

[57] CLAIM

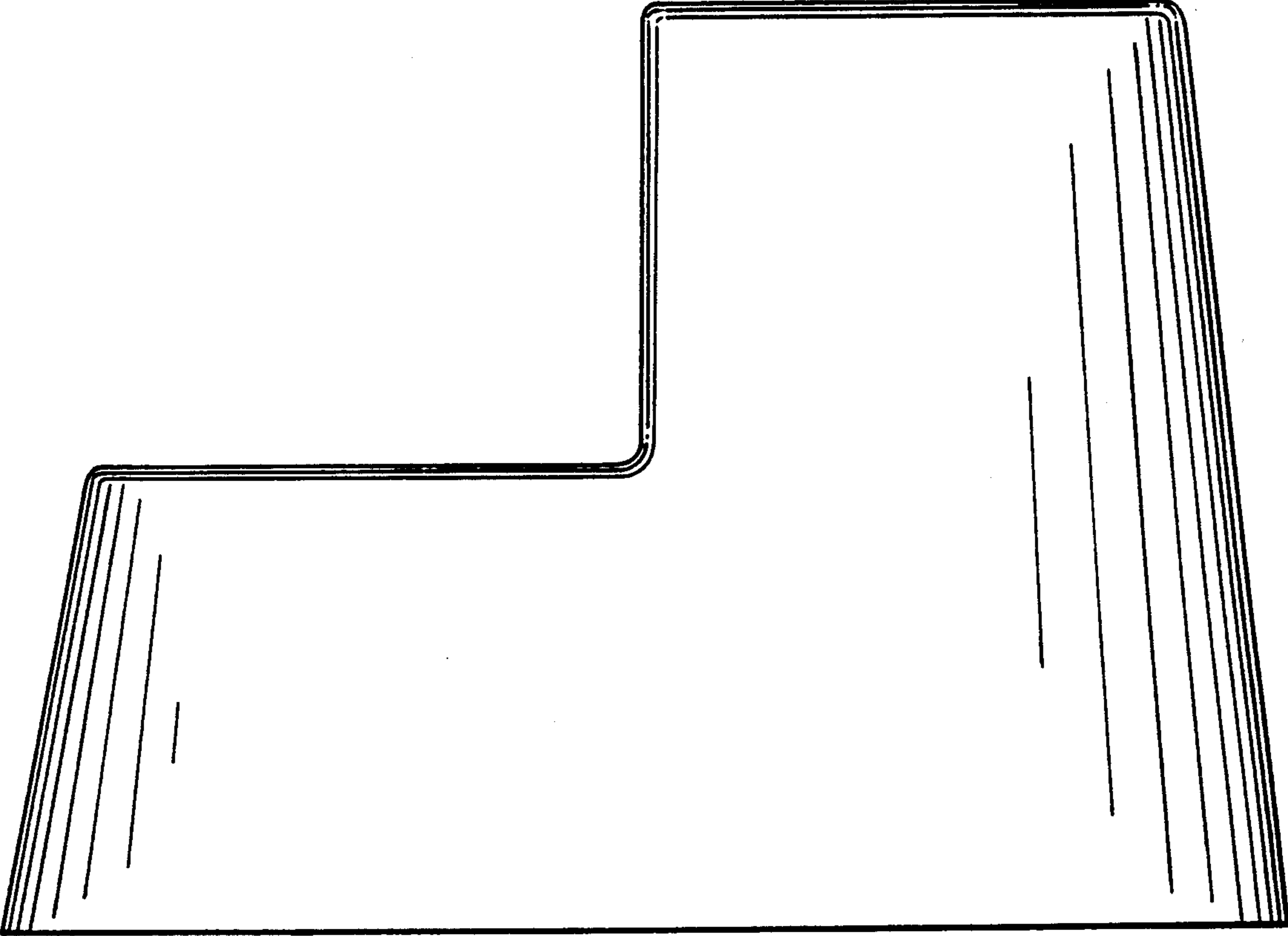
The ornamental design for a step stool, as shown and described.

DESCRIPTION

FIG. 1 is a right side elevational showing my new design the opposite side being a mirror image;  
FIG. 2 is a bottom plan view;  
FIG. 3 is a front elevational view;  
FIG. 4 is a rear elevational view;  
FIG. 5 is a top plan view; and  
FIG. 6 is a top rear perspective view thereof.



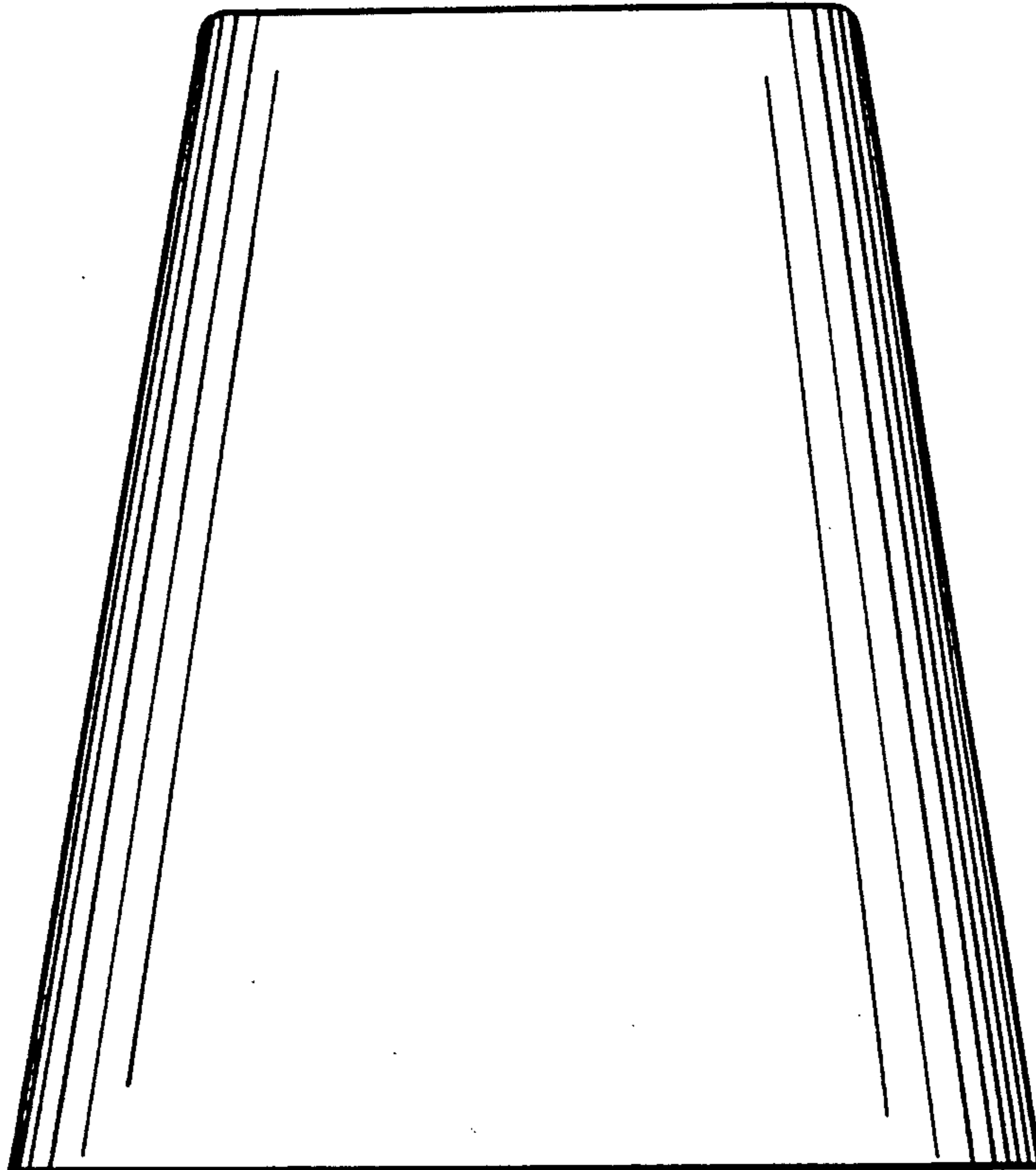
*Fig. 1*



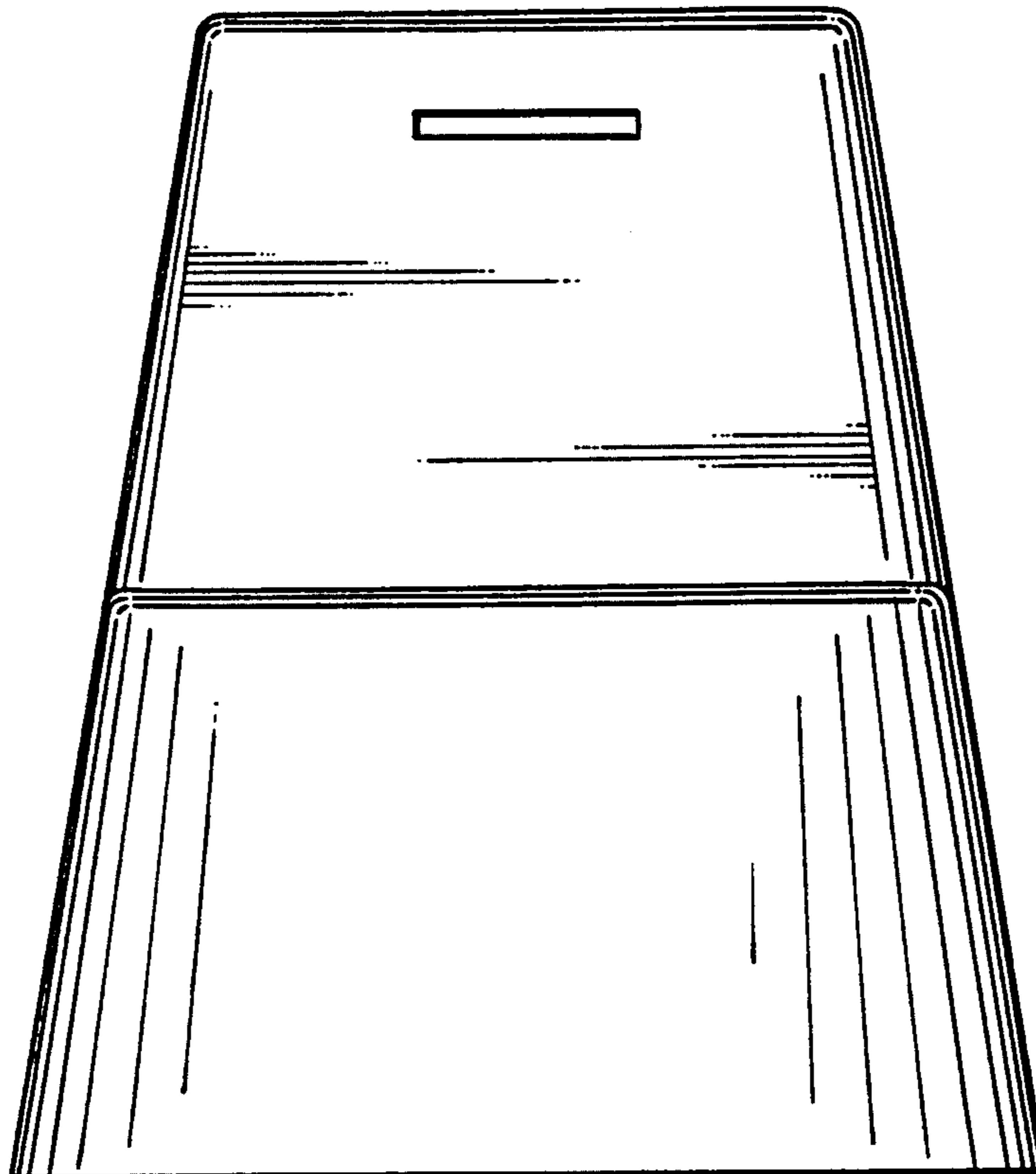
*Fig. 2*



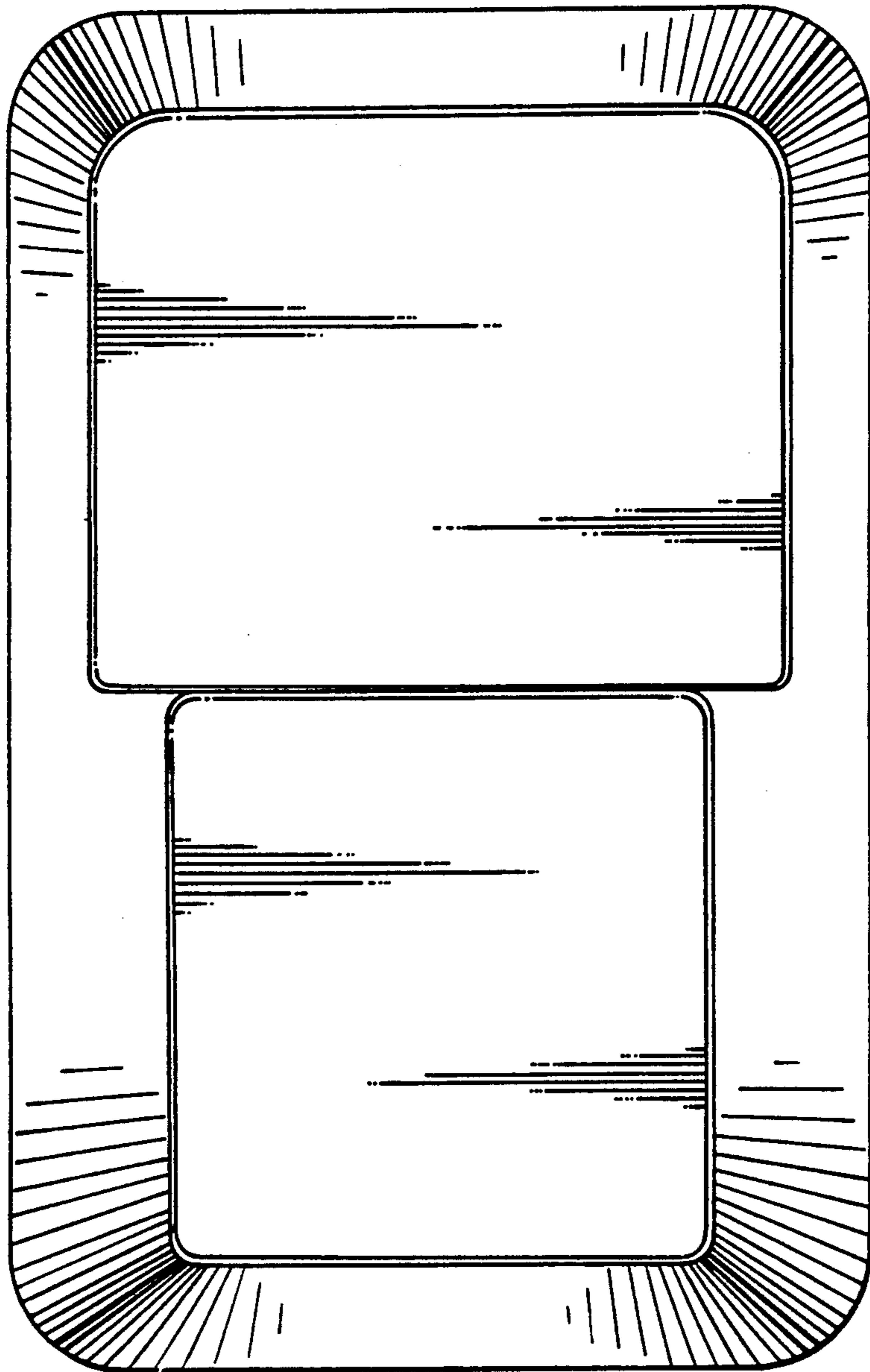
*Fig. 3*

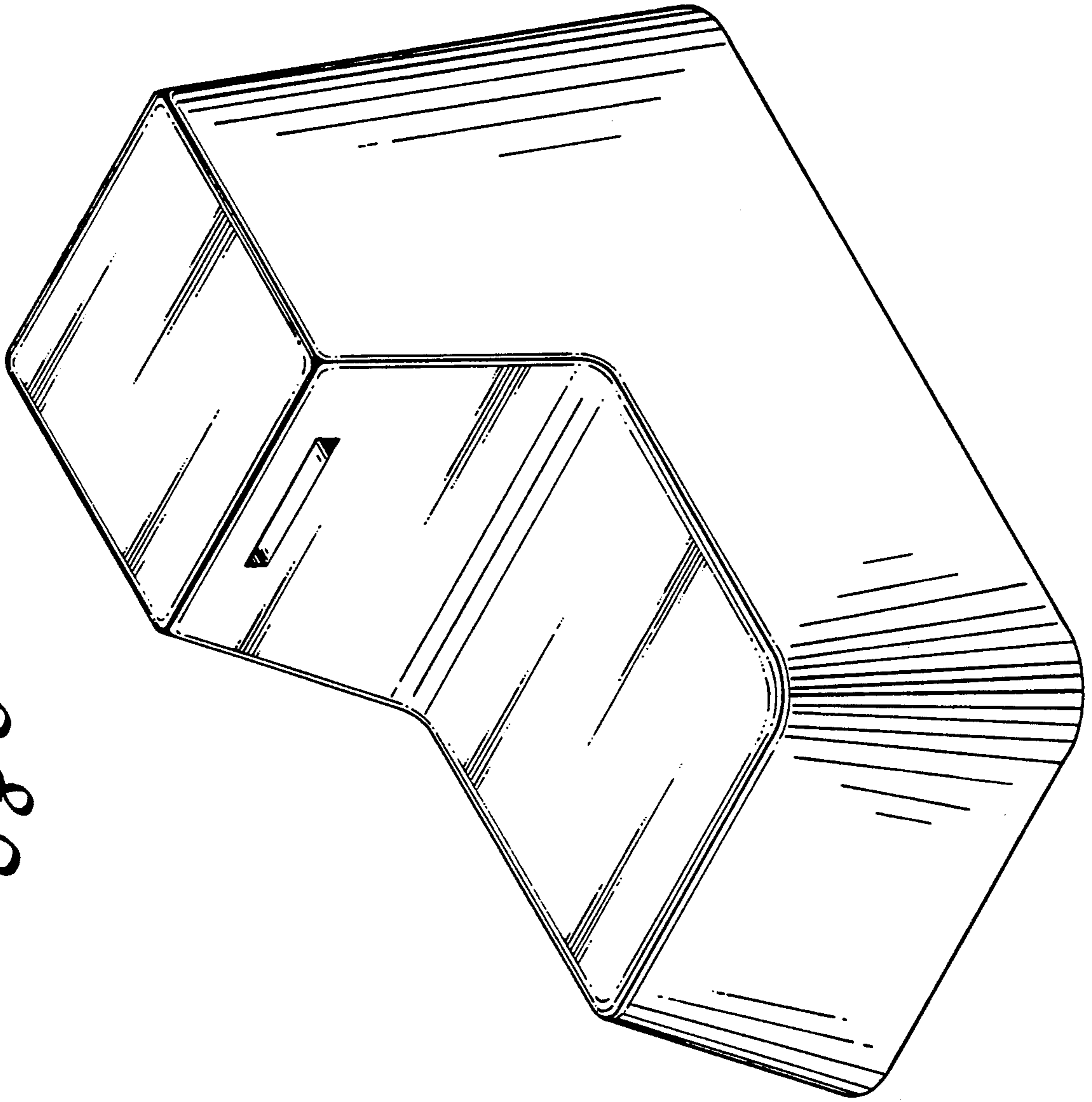


*Fig. 4*



*Fig. 5*





*Fig. 6*