

[54] **CARRYING CASE FOR A VIDEO CASSETTE RECORDER**

[76] **Inventor: Kue S. Shim, 85-690 Ahyun-1 Dong, Mapo-Ku, Seoul, Rep. of Korea**

[\*\*] **Term: 14 Years**

[21] **Appl. No.: 284,467**

[22] **Filed: Dec. 14, 1988**

[30] **Foreign Application Priority Data**

Jun. 14, 1988 [KR] Rep. of Korea ..... 8156/1988

[52] **U.S. Cl. .... D3/33; D3/30.1; D3/76**

[58] **Field of Search .... D3/18, 20, 30.1, 30.5, D3/33-35, 41-43, 48-51, 53, 61-64, 70, 73, 74, 76, 99, 100, 106; D9/308; D14/100; D21/137; D24/99; 150/528; 190/107, 109, 111-112, 115, 150, 900, 903; 206/1.7, 8, 206, 214, 316.1, 372, 373, 541, 576, 579; 220/20, 20.5, 21-23, 324; 224/151, 153, 155, 160, 202, 209, 213; 312/DIG. 33, 287, 290; 364/708; 383/6, 10, 40, 41, 66, 72, 907; 400/685; 428/16; 446/72-76**

[56] **References Cited**

**U.S. PATENT DOCUMENTS**

D. 175,035 6/1955 Muller-Munk ..... D3/33  
D. 175,036 6/1955 Muller-Munk ..... D3/33  
D. 182,967 6/1958 Leopold ..... D3/76  
D. 258,626 9/1986 Yen ..... D3/33  
3,298,479 1/1967 Palmer et al. .... 190/109

**OTHER PUBLICATIONS**

Oshkosh Luggage Flyer: Item #4 (lower center of page).

Travelware; 3-1985, p. 25, "Casecraft", upper center of page.

*Primary Examiner*—A. Hugo Word  
*Assistant Examiner*—Celia A. Murphy  
*Attorney, Agent, or Firm*—Morrison Law Firm

[57] **CLAIM**

The ornamental design for a carrying case for a video cassette recorder, as shown and described.

**DESCRIPTION**

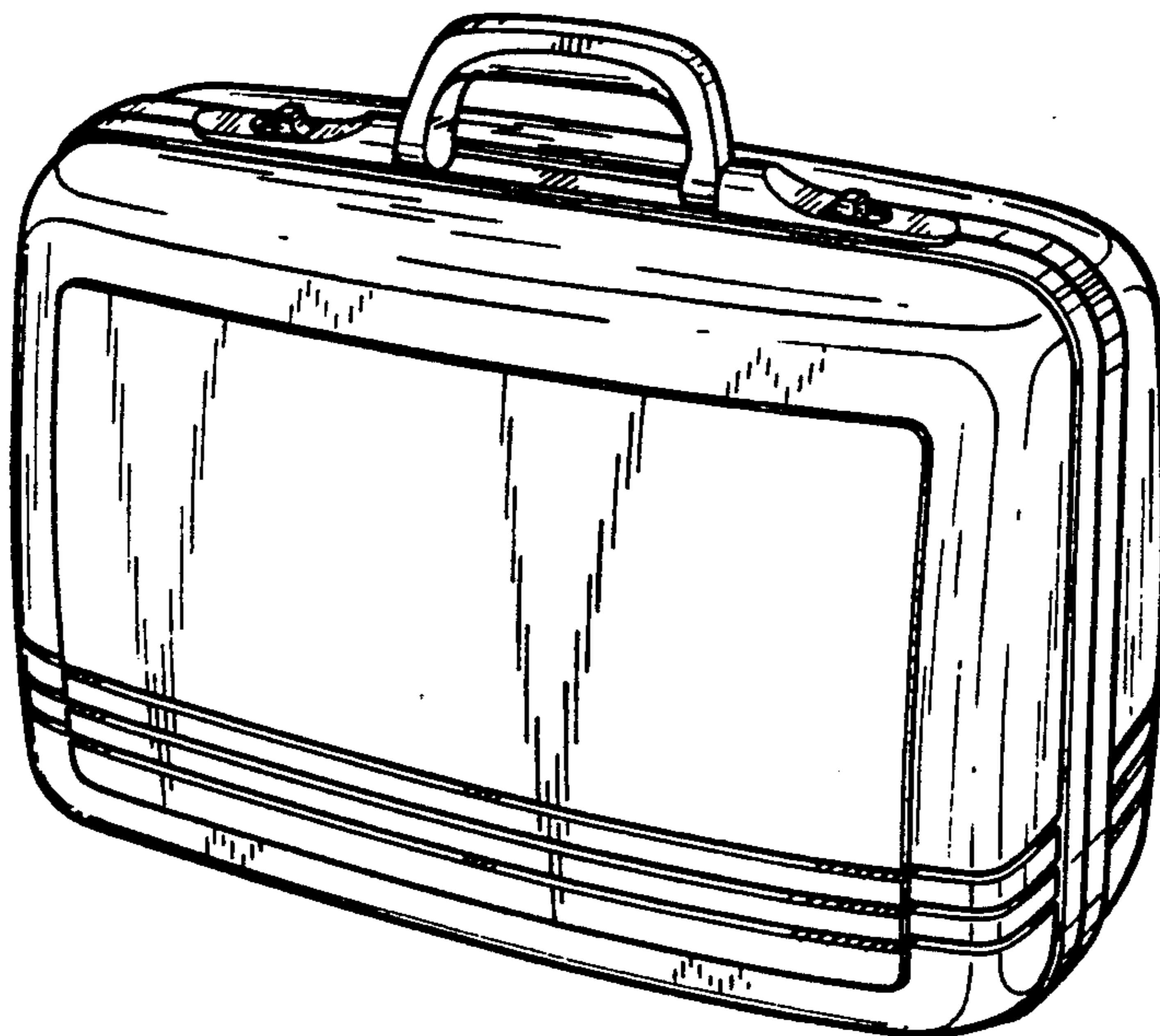
FIG. 1 is a perspective view of a carrying case for a video cassette recorder showing my new design;

FIG. 2 is a top plan view thereof;

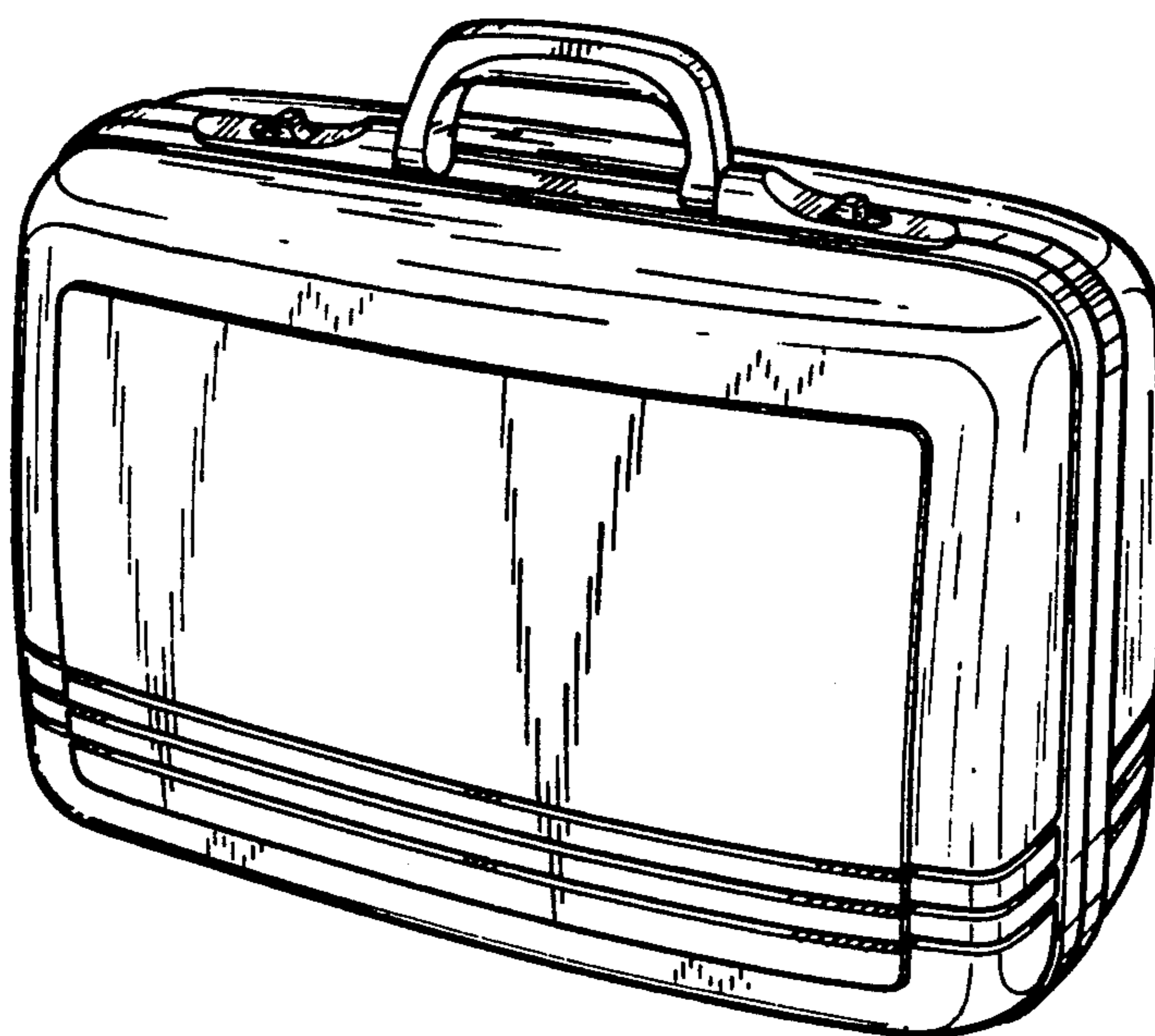
FIG. 3 is a front elevational view thereof, the rear being a mirror image;

FIG. 4 is a bottom plan view thereof; and

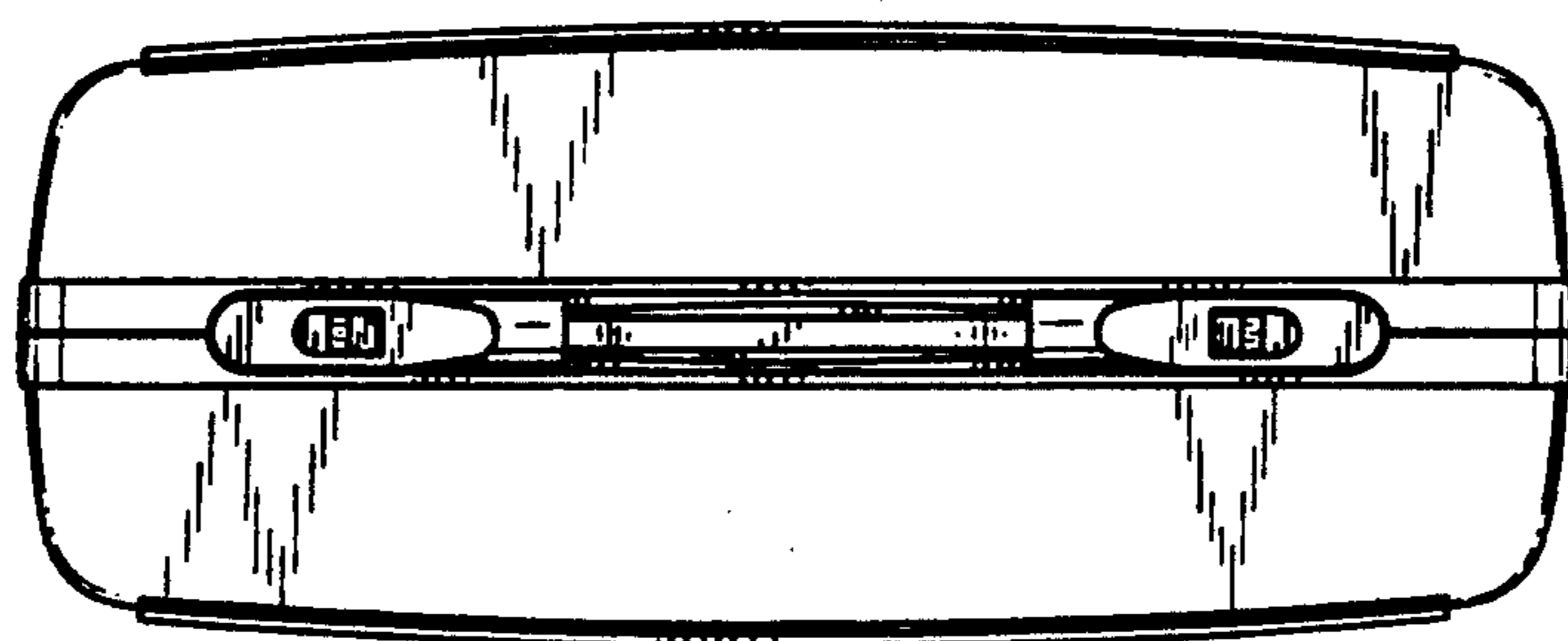
FIG. 5 is a right side elevational view thereof, a left side being a mirror image.



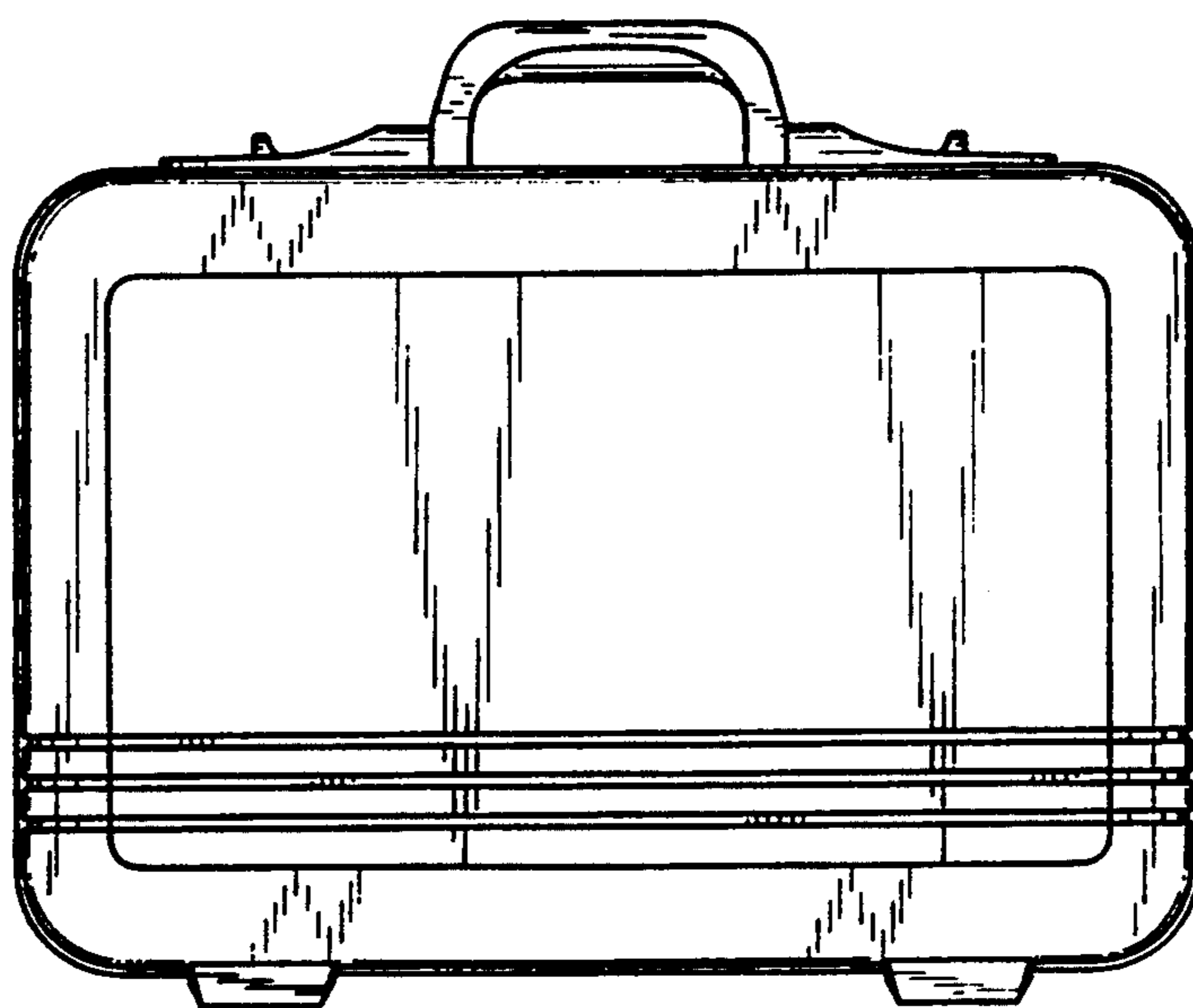
F I G . 1



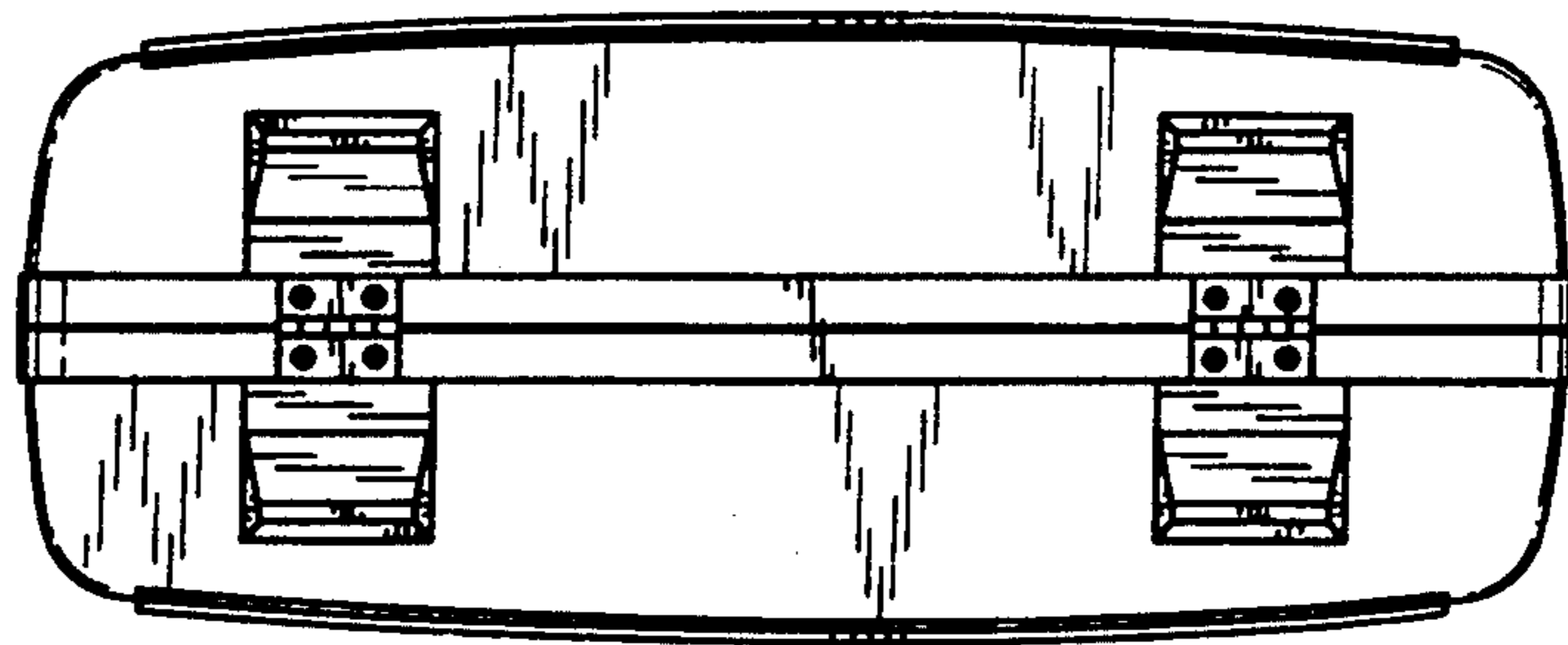
F I G . 2



F I G . 3



F I G . 4



F I G . 5

