

[54] BOOT REMOVER

[76] Inventor: Charles A. Rose, 3107 Cumberland Dr., San Angelo, Tex. 76904

[\*\*] Term: 14 Years

[21] Appl. No.: 54,670

[22] Filed: May 27, 1987

[52] U.S. Cl. .... D2/642; 223/115

[58] Field of Search ..... D2/642, 611, 699; 223/114-118, 1

4,262,828 4/1981 Kosakai ..... 223/115  
4,394,946 7/1983 McCormick ..... 223/115  
4,635,833 1/1987 Scarlata ..... 223/116

Primary Examiner—A. Hugo Word  
Assistant Examiner—R. Seifert  
Attorney, Agent, or Firm—Leon Gilden

[57] CLAIM

The ornamental design for a boot remover, as shown and described.

DESCRIPTION

FIG. 1 is a perspective view of a boot remover showing my new design, the opposite side being plain and unornamented;

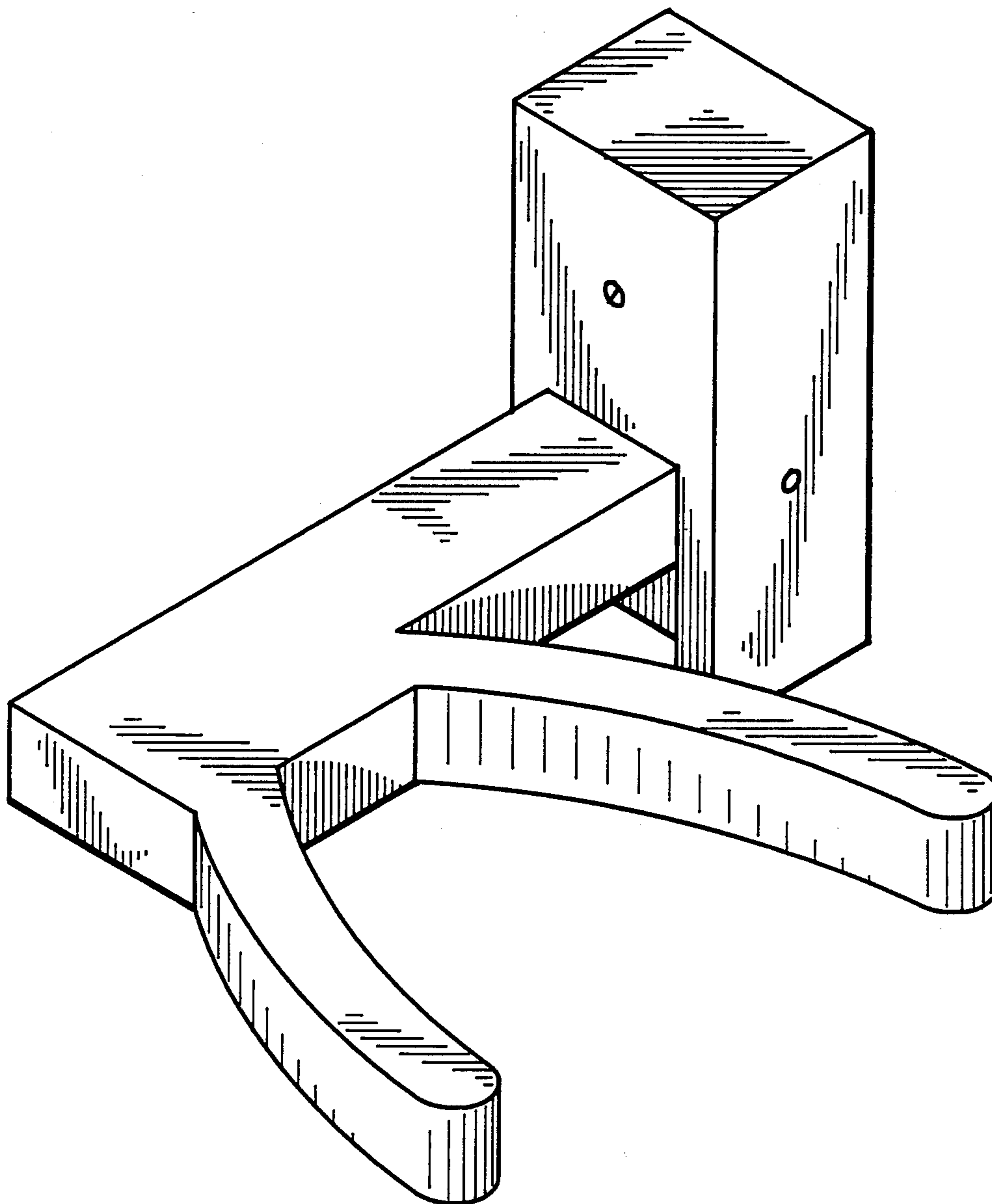
FIG. 2 is a front elevational view; and

FIG. 3 is a top plan view.

[56] References Cited

U.S. PATENT DOCUMENTS

22,404 12/1858 Ahl ..... 223/117  
254,816 3/1882 Greenwald ..... 223/114



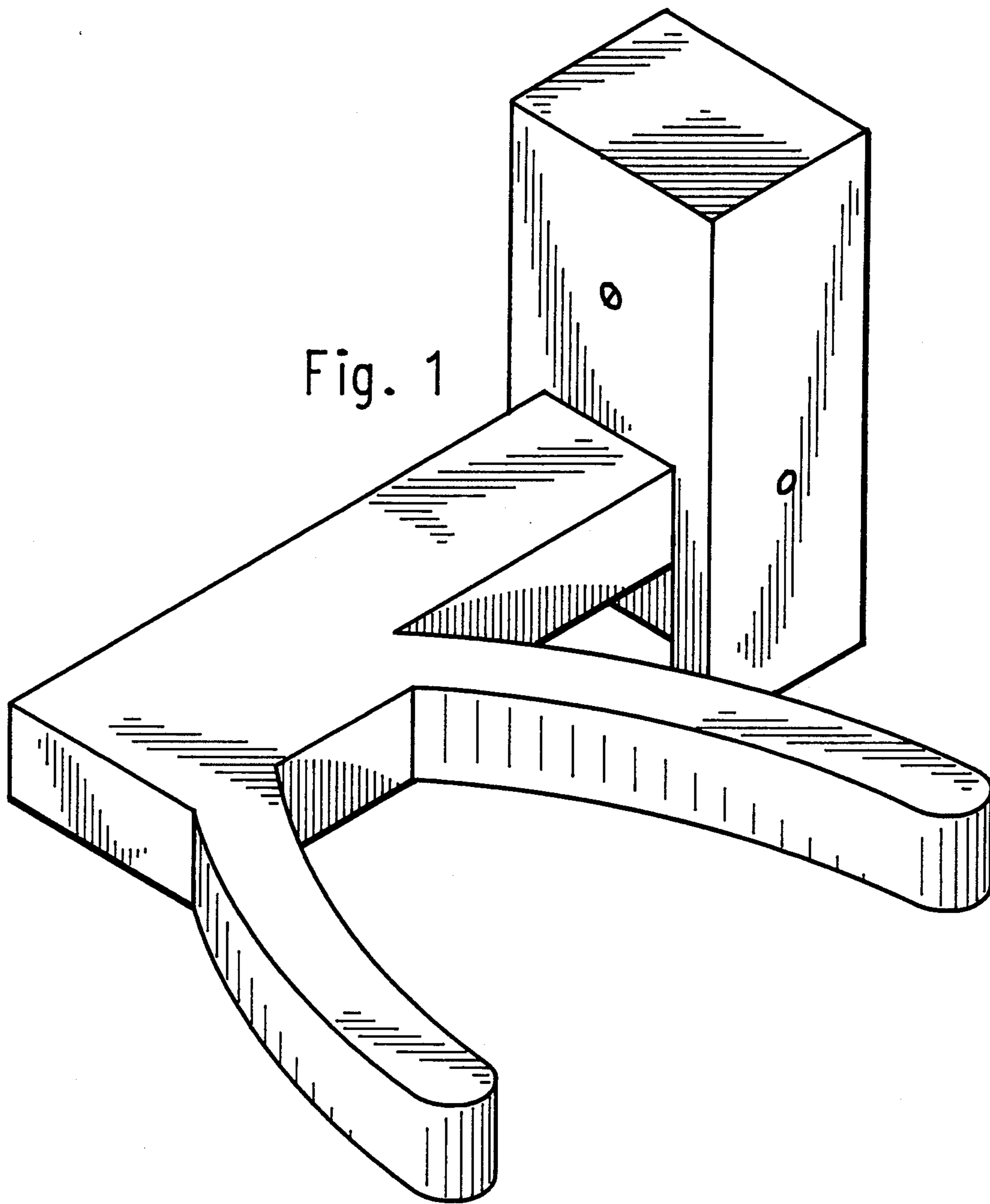
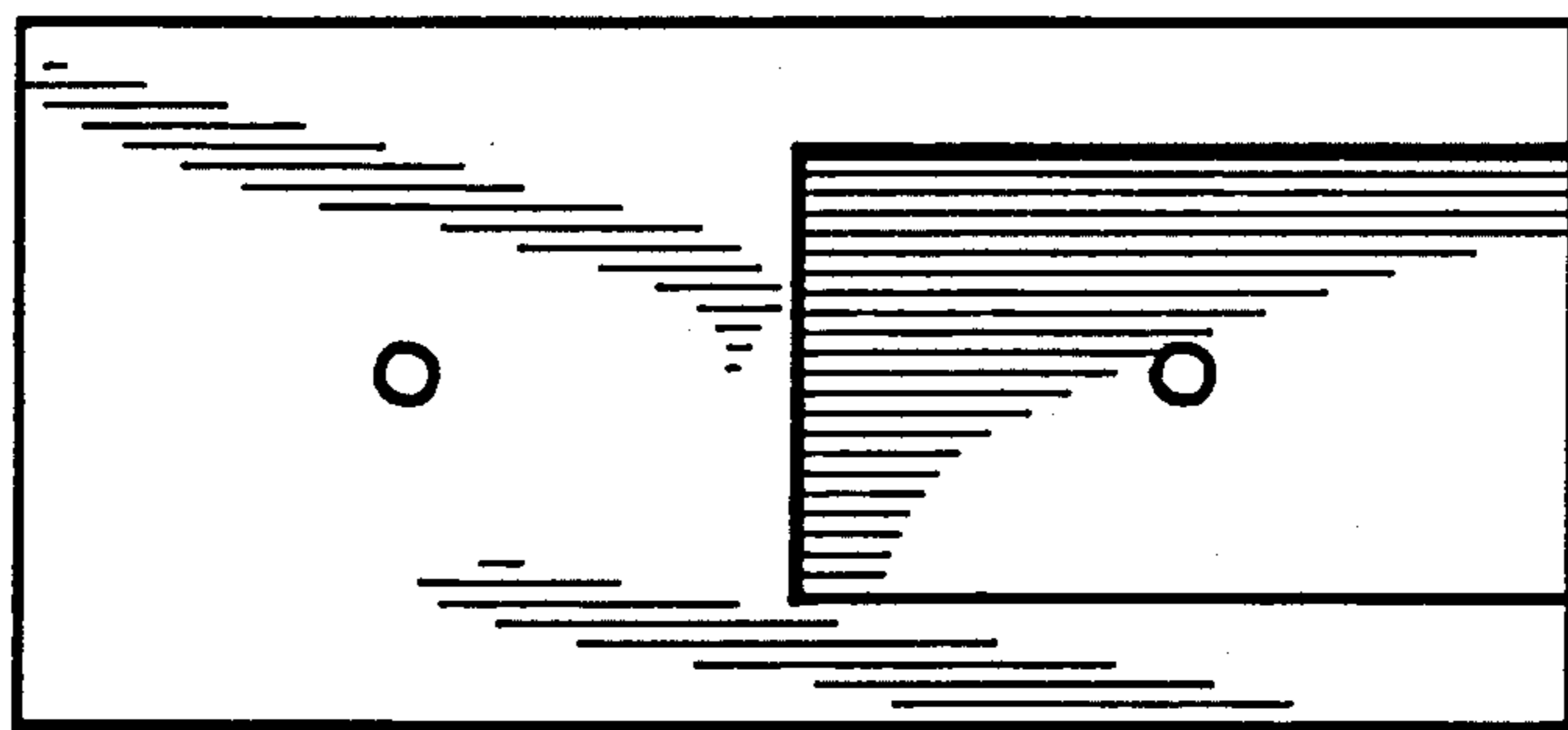


Fig. 2



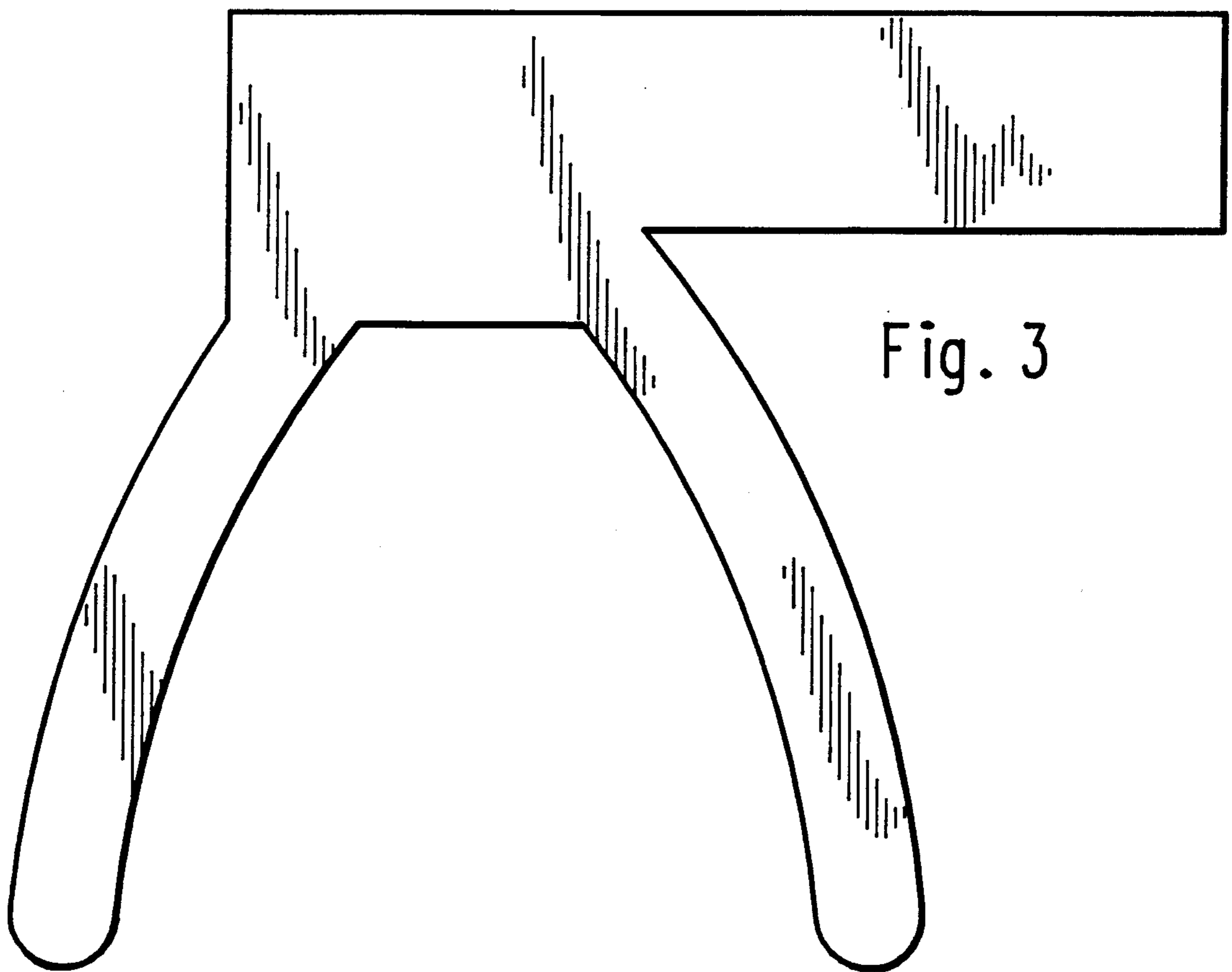


Fig. 3