

[54] CARRIER FOR CLEANING EQUIPMENT OR THE LIKE

[76] Inventor: Joseph S. Perry, 6054 Santa Monica Blvd., Hollywood, Calif. 90038

[**] Term: 14 Years

[21] Appl. No.: 292,728

[22] Filed: Jan. 3, 1989

[52] U.S. Cl. D34/44; D3/30.1; D3/73; D3/74; D3/99; D9/341; D32/53; D34/45

[58] Field of Search D3/30.1, 35, 73, 74, D3/99; D6/467, 469, 476; D7/605; D9/341, 432; D19/75, 76; D32/90, 37, 53, 53.1, 54; D34/43, 45, 46; 206/309-313, 372, 373, 387, 425, 461, 472; 211/126, 70.6; 220/94 R, 94 A; 312/244

[56] References Cited

U.S. PATENT DOCUMENTS

D. 236,315 8/1975 Russo D7/605

D. 238,112 12/1975 Nowak D3/74
D. 266,207 9/1982 Kirchberger et al. D34/45
D. 270,867 10/1983 Keohan D34/44
D. 314,279 2/1991 Hotchkiss D32/53
2,740,517 4/1956 Evans 206/373
3,281,010 10/1966 Moore et al. D9/341
4,122,944 10/1978 De Napoli D3/30.1

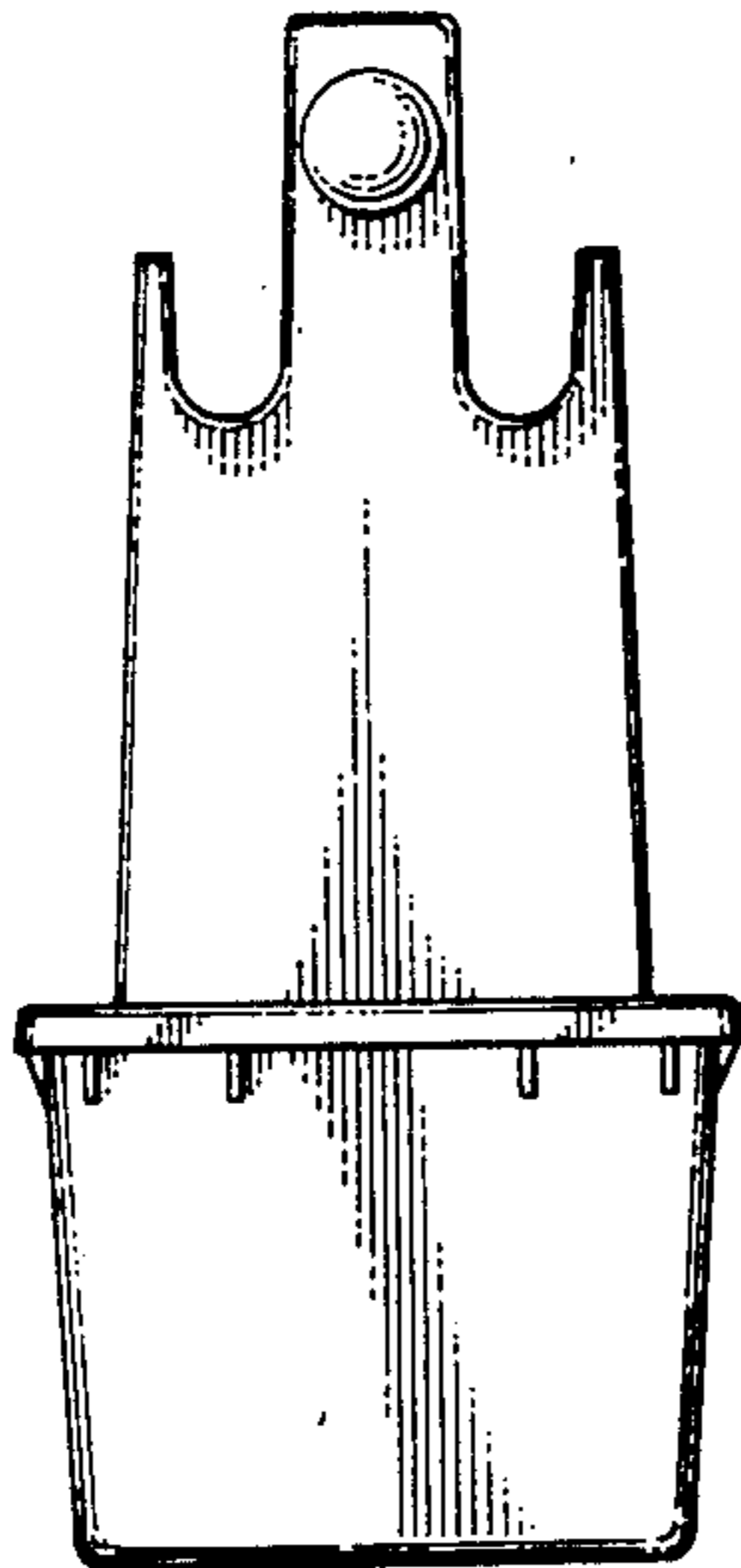
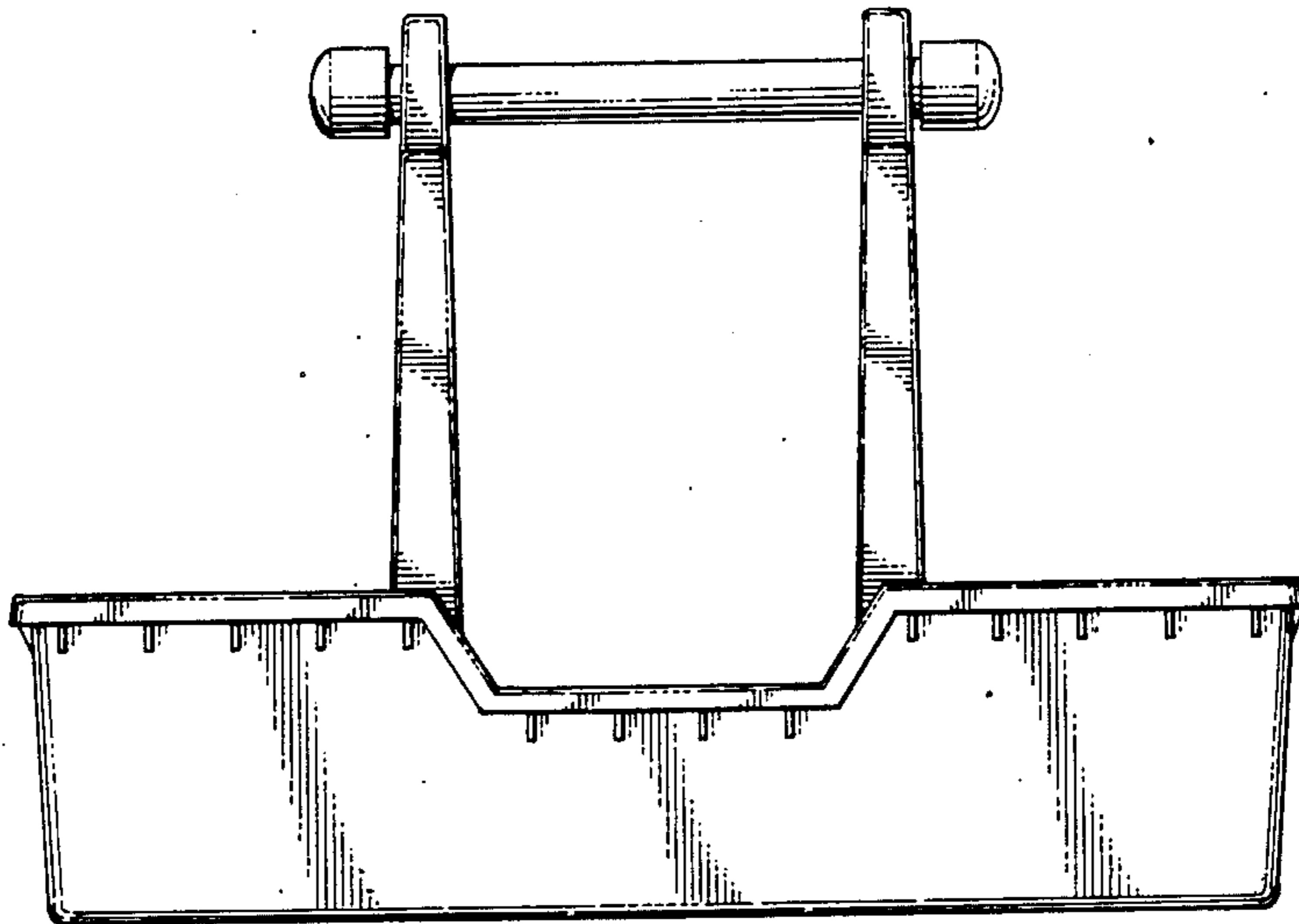
Primary Examiner—A. Hugo Word
Assistant Examiner—Celia A. Murphy
Attorney, Agent, or Firm—Roger A. Marrs

[57] CLAIM

The ornamental design for a carrier for cleaning equipment or the like, as shown and described.

DESCRIPTION

FIG. 1 is a front elevational view of a carrier for cleaning equipment or the like showing my new design, the rear being identical;
FIG. 2 is a top plan view thereof, the bottom being planar and unornamented; and
FIG. 3 is a side elevational view thereof, both sides being identical.



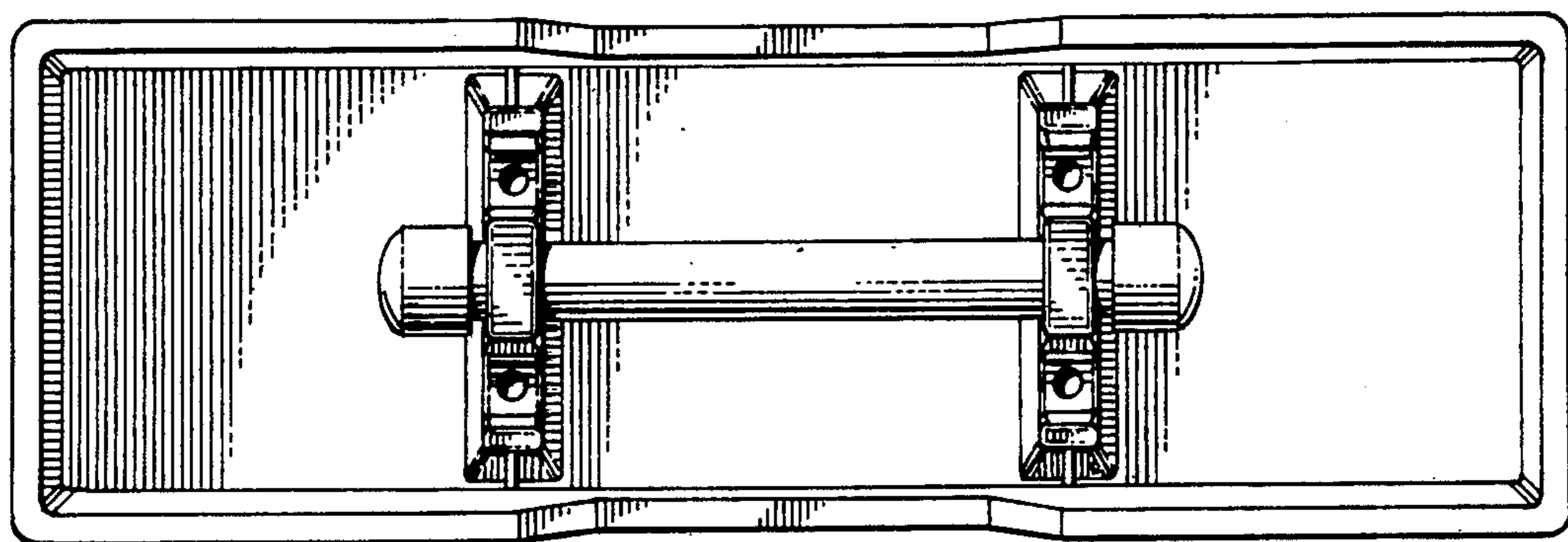
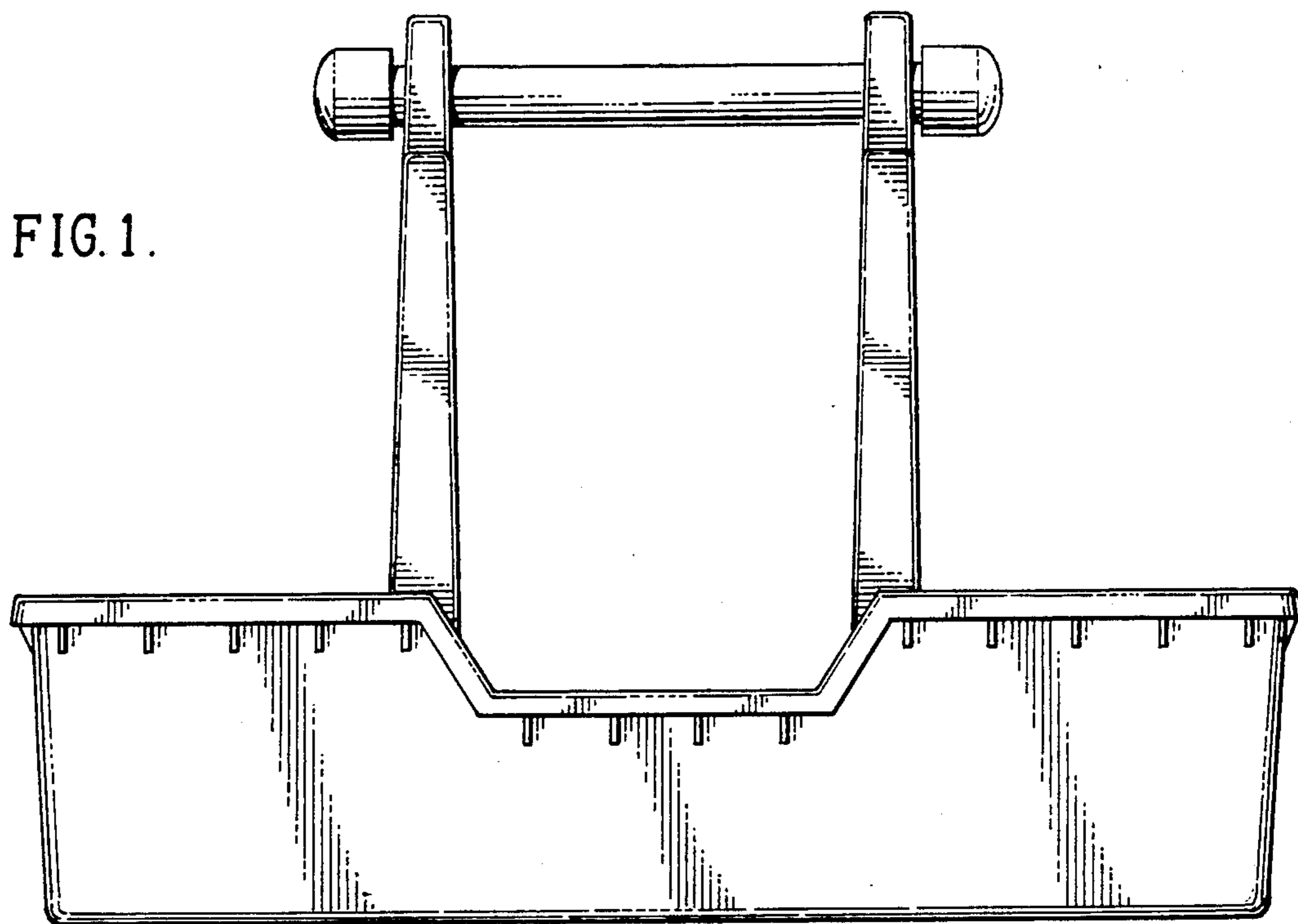


FIG. 2.

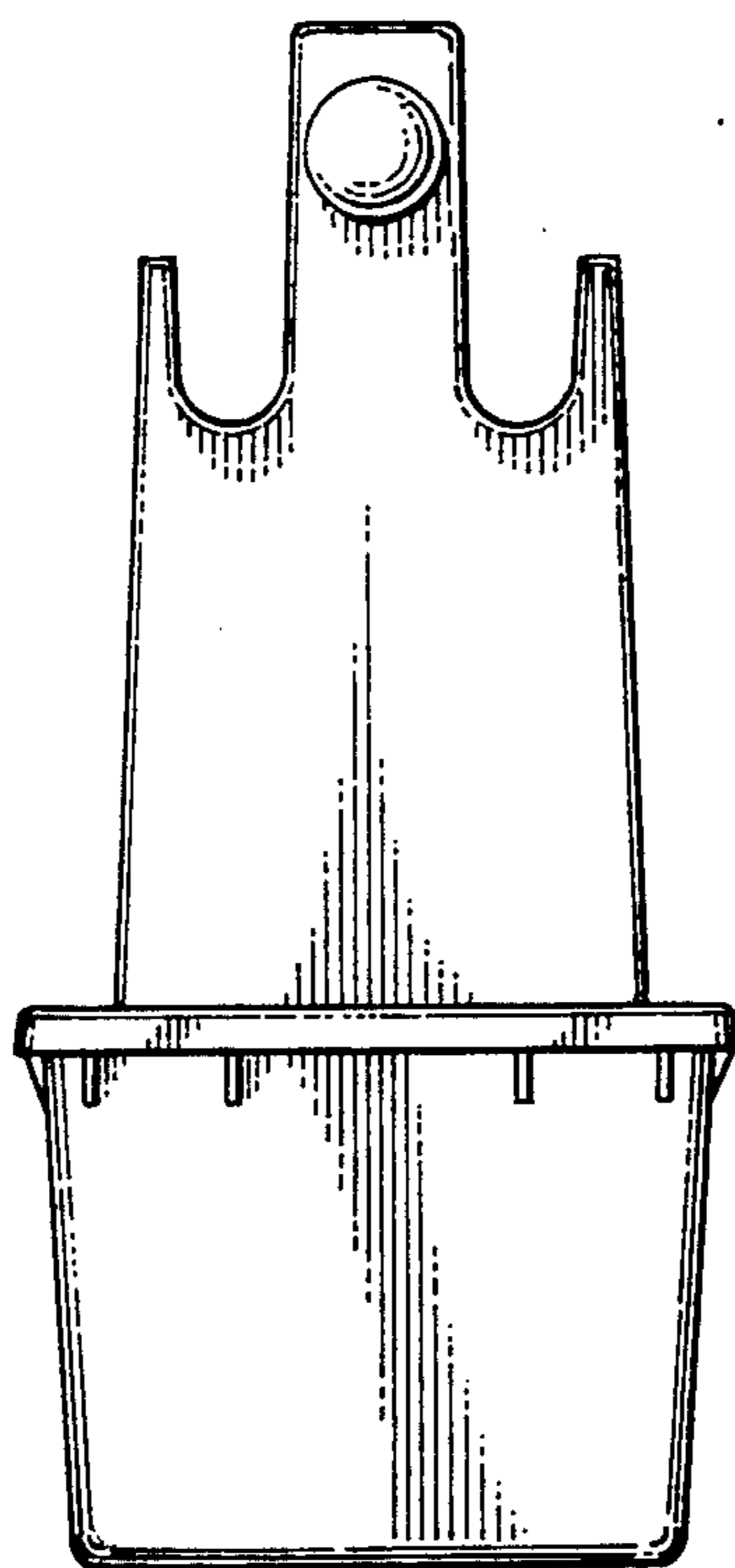


FIG. 3.