

[54] MOBILE MAN LIFT

[76] Inventor: Art Still, 12000 SW. 45 St., Miami, Fla. 33175

[**] Term: 14 Years

[21] Appl. No.: 190,212

[22] Filed: May 4, 1988

[52] U.S. Cl. D34/34

[58] Field of Search D34/28, 34; 182/2; 187/8.41, 9 E, 10

[56] References Cited

U.S. PATENT DOCUMENTS

D. 205,835	9/1966	Slusher	D34/34
D. 227,091	6/1973	Grove	D34/34
D. 261,127	10/1981	Rallis et al.	D34/34
D. 262,279	12/1981	Rallis et al.	D34/34
4,740,132	4/1988	Peyre	D34/28

Primary Examiner—Kay H. Chin

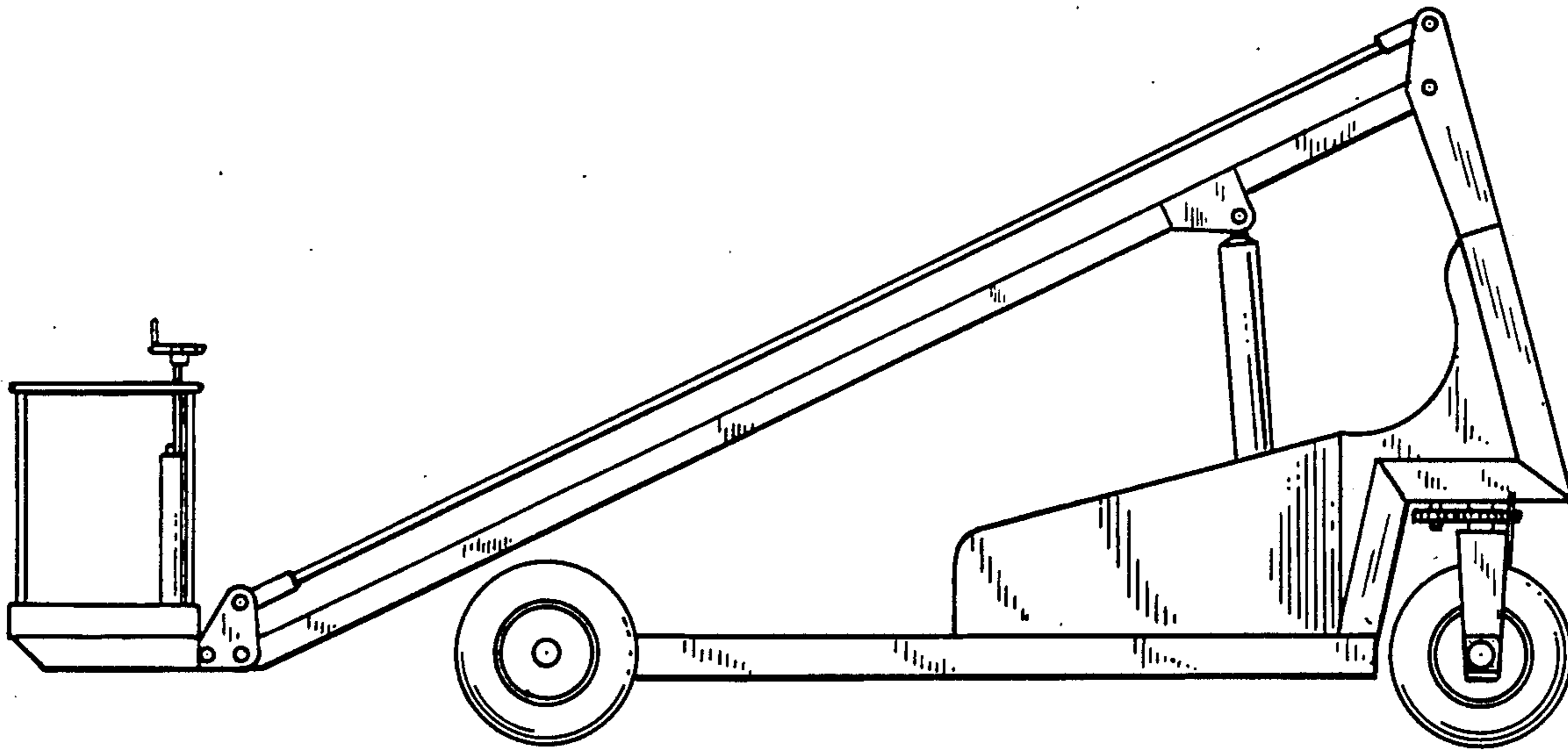
Attorney, Agent, or Firm—Malin, Haley, McHale, DiMaggio & Crosby

[57] CLAIM

The ornamental design for a mobile man lift, as shown and described.

DESCRIPTION

FIG. 1 is a front elevational view of a mobile man lift showing my new design;
 FIG. 2 is a rear elevational view thereof;
 FIG. 3 is a top plan view thereof;
 FIG. 4 is a bottom plan view thereof;
 FIG. 5 is a left side elevational view thereof;
 FIG. 6 is a right side elevational view thereof;
 FIG. 7 is a fragmentary portion of the top rear perspective view of the nose wheel assembly of the mobile man lift on a greatly enlarged scale; and
 FIG. 8 is a fragmentary portion of the top front perspective view of the nose wheel assembly of the mobile man lift on a greatly enlarged scale.



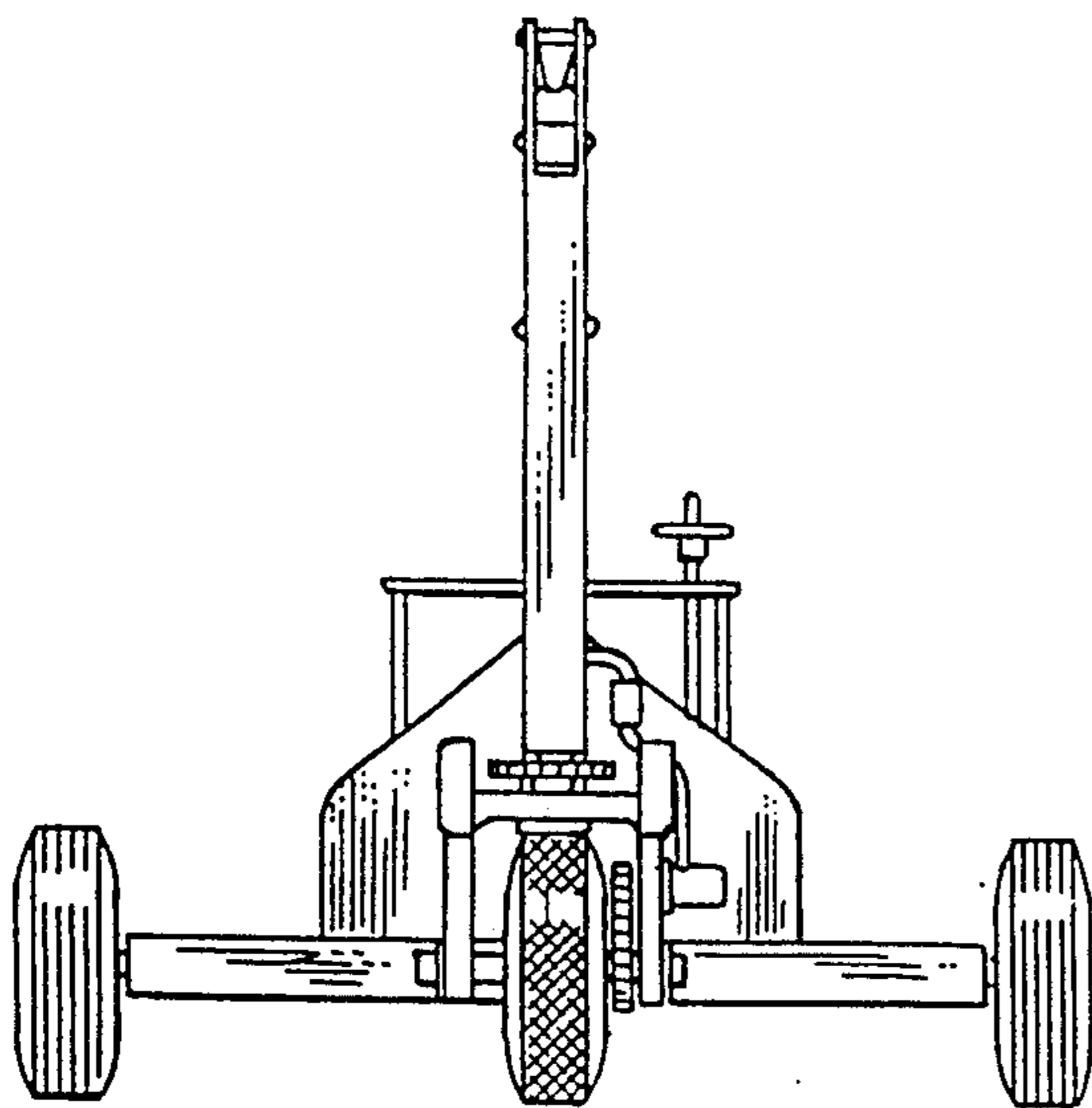


FIG. 1.

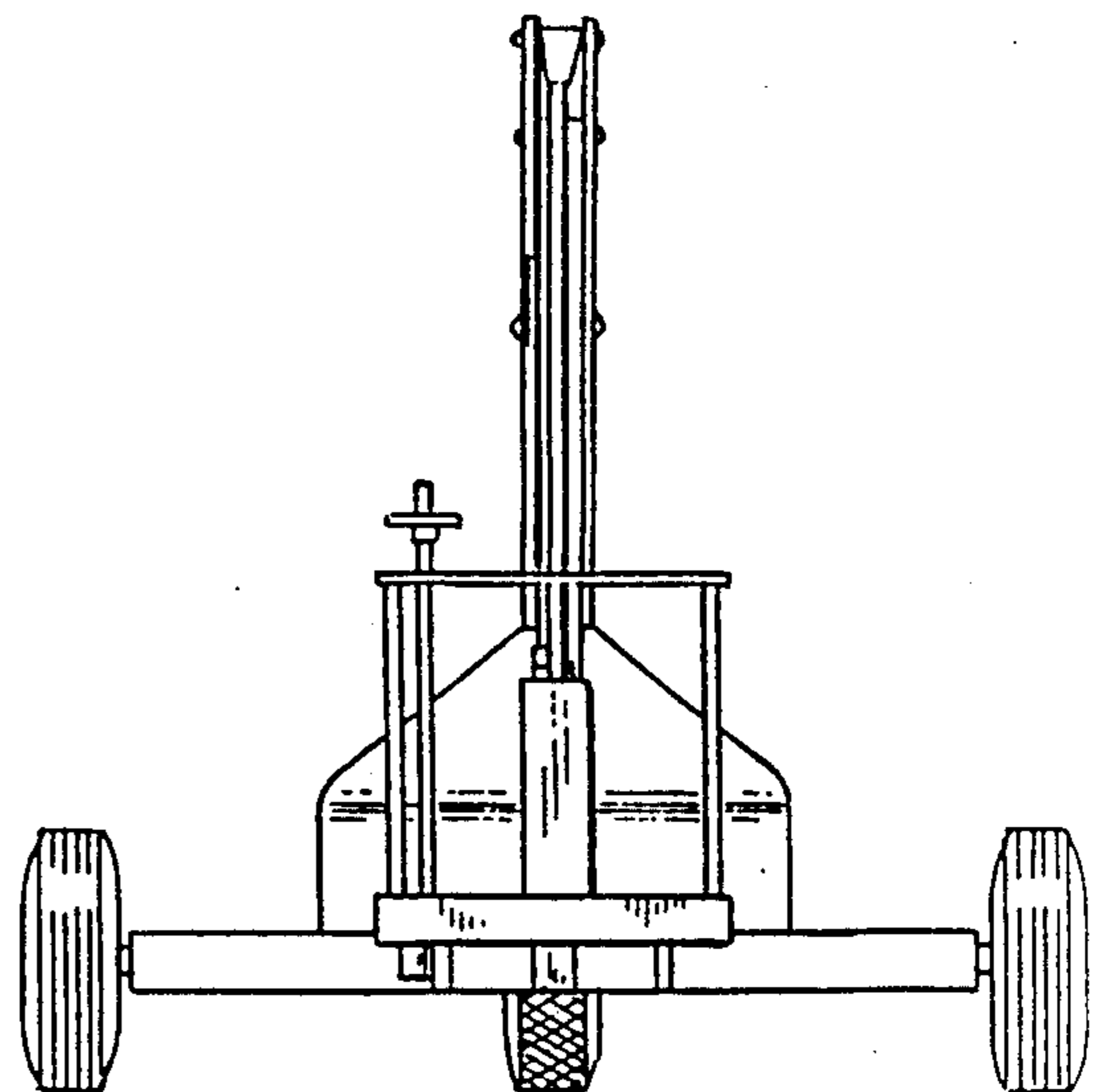


FIG. 2.

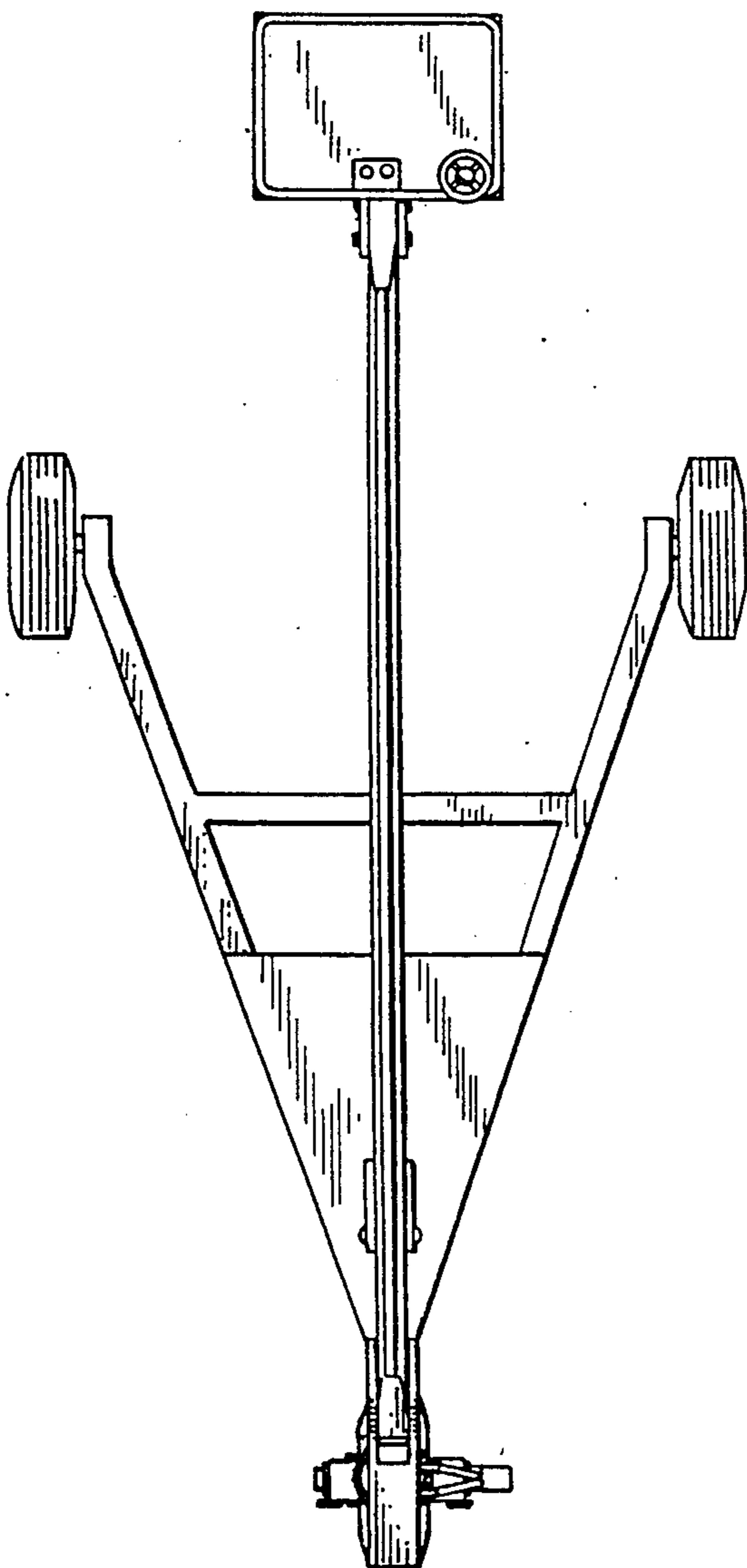


FIG. 3.

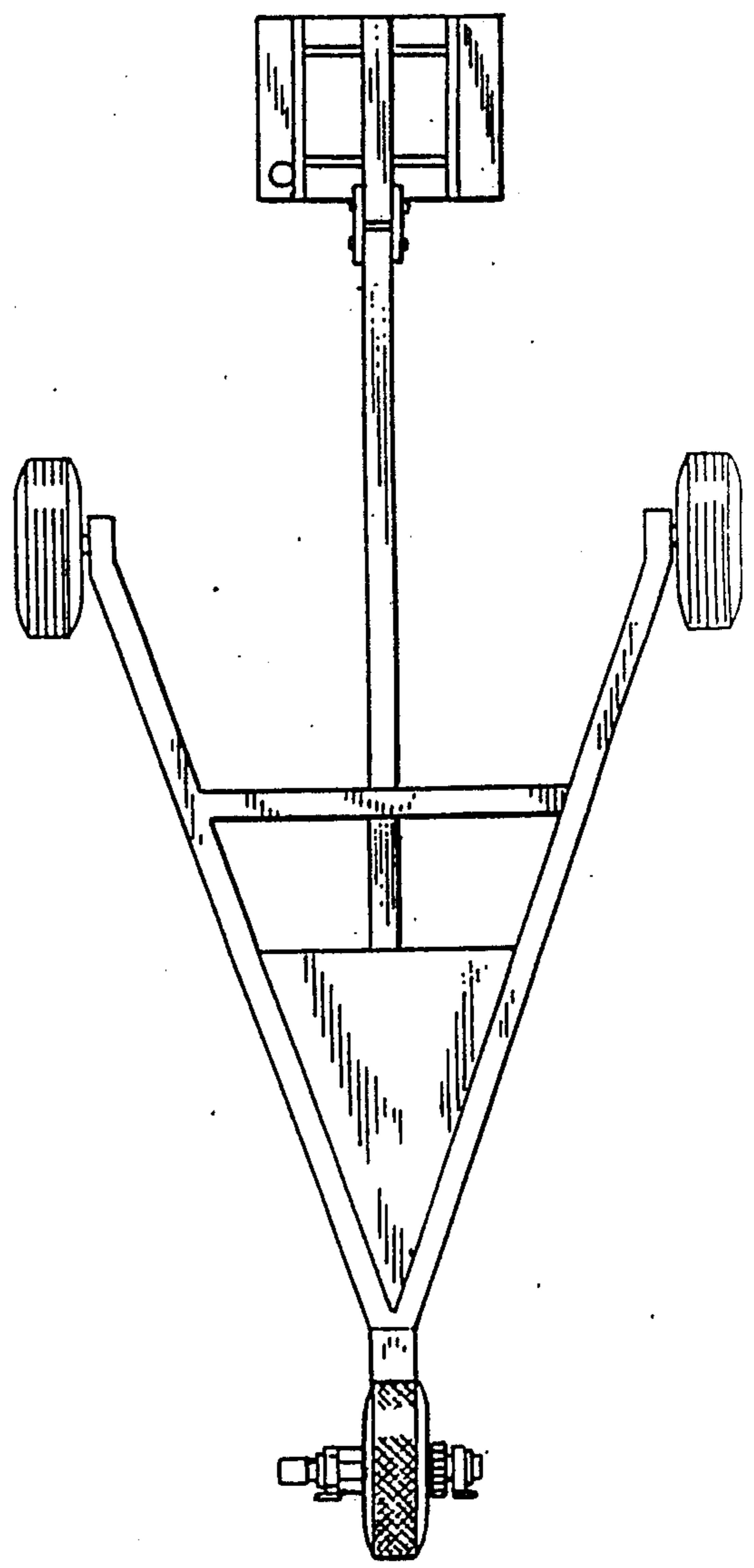


FIG. 4.

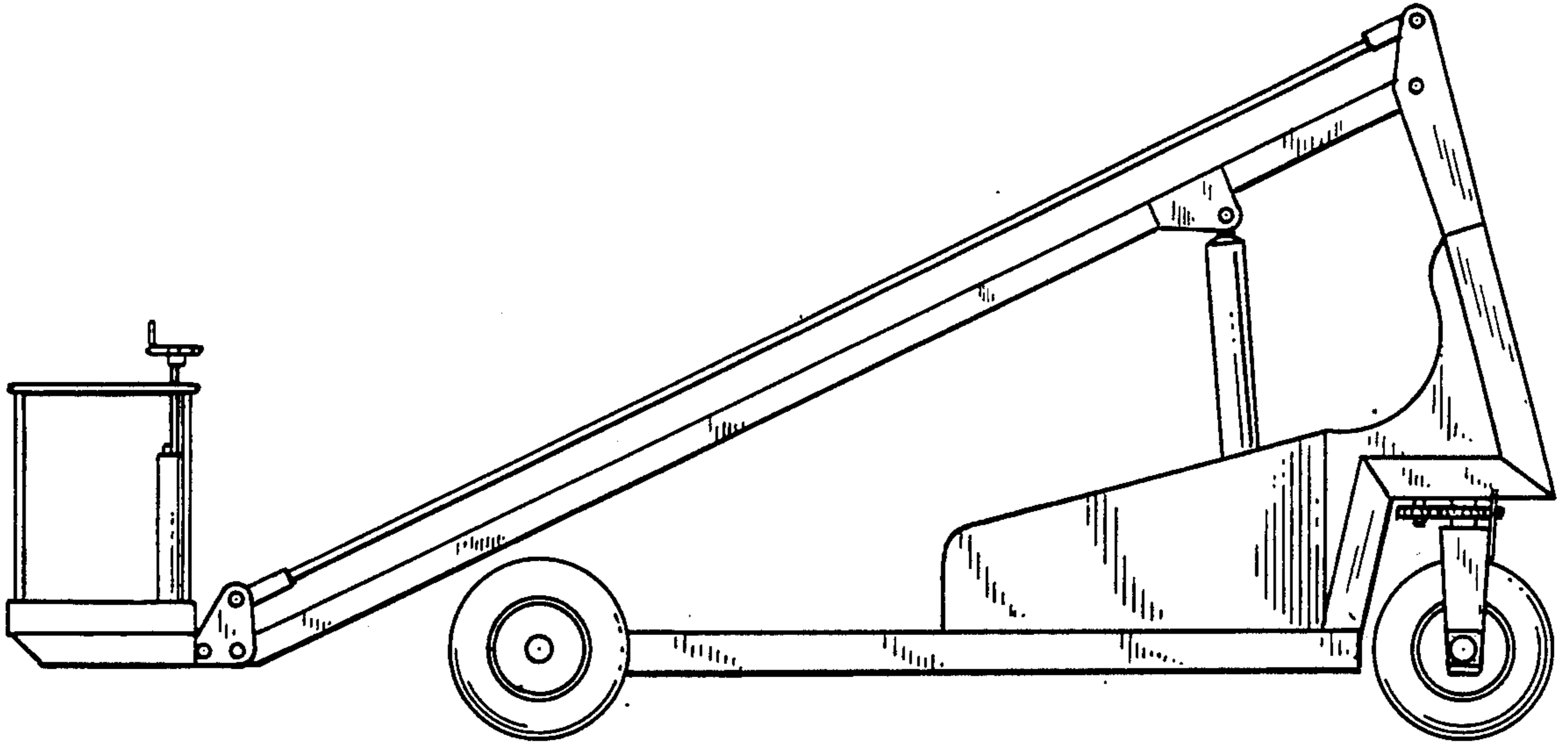


FIG. 5.

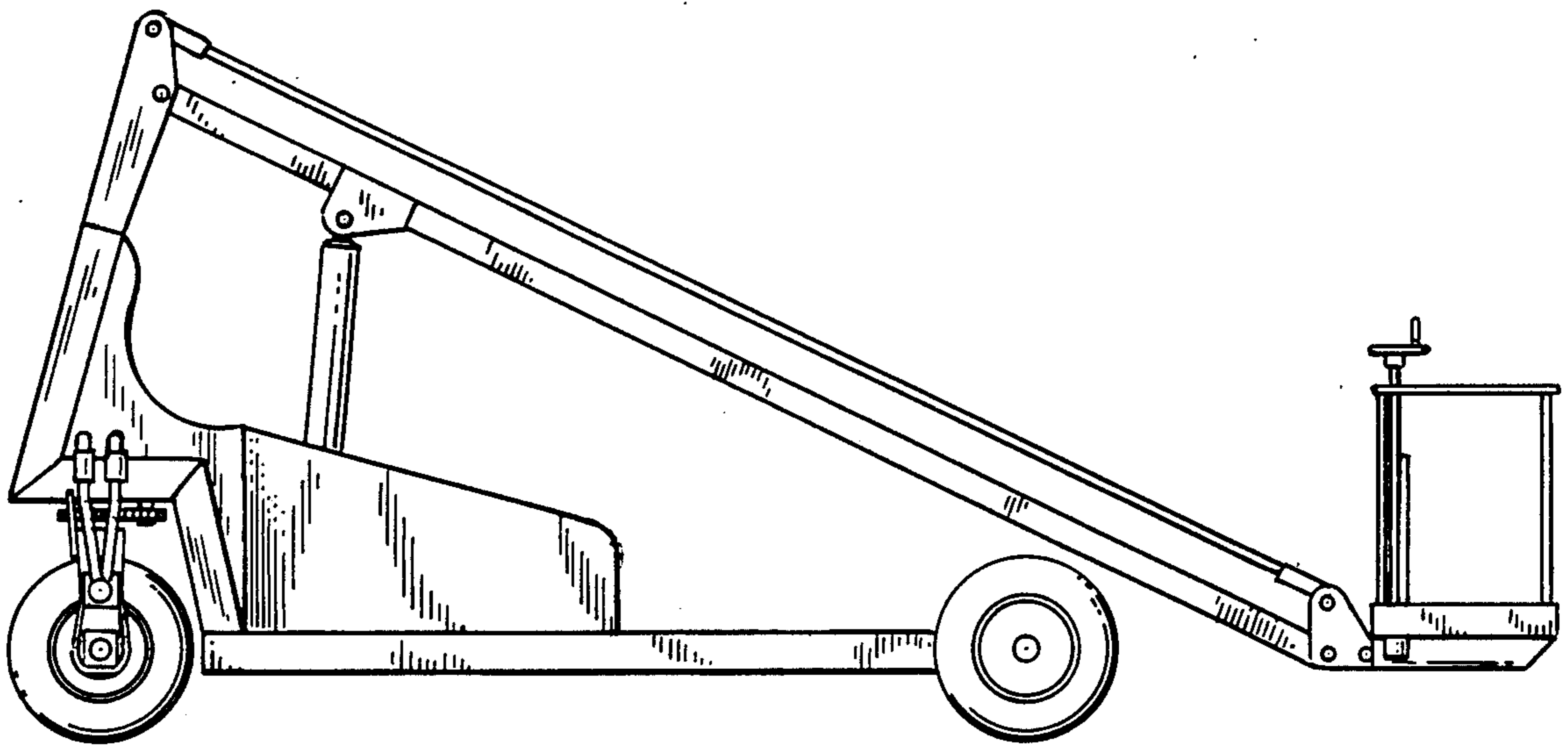


FIG. 6.

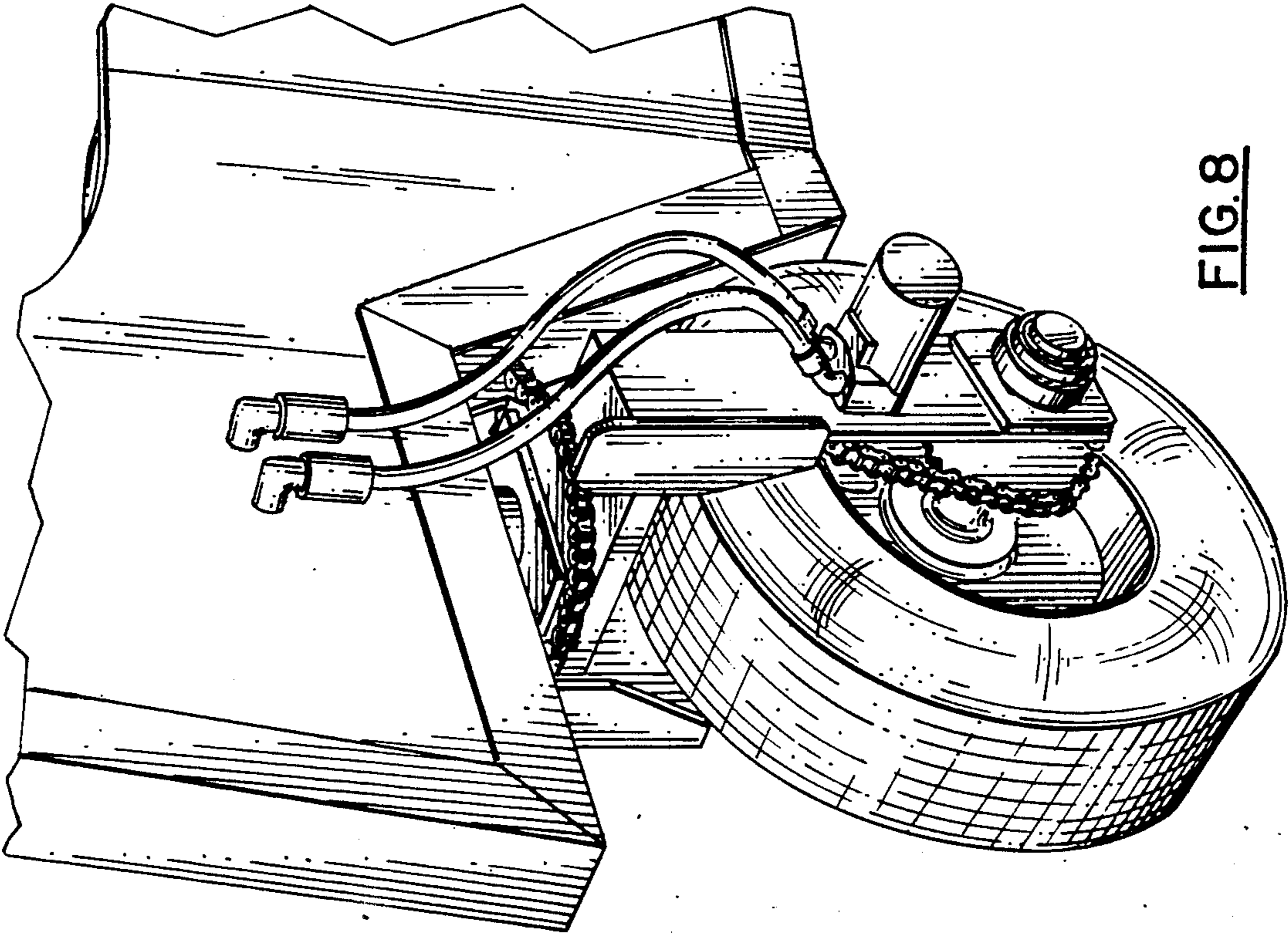


FIG. 8

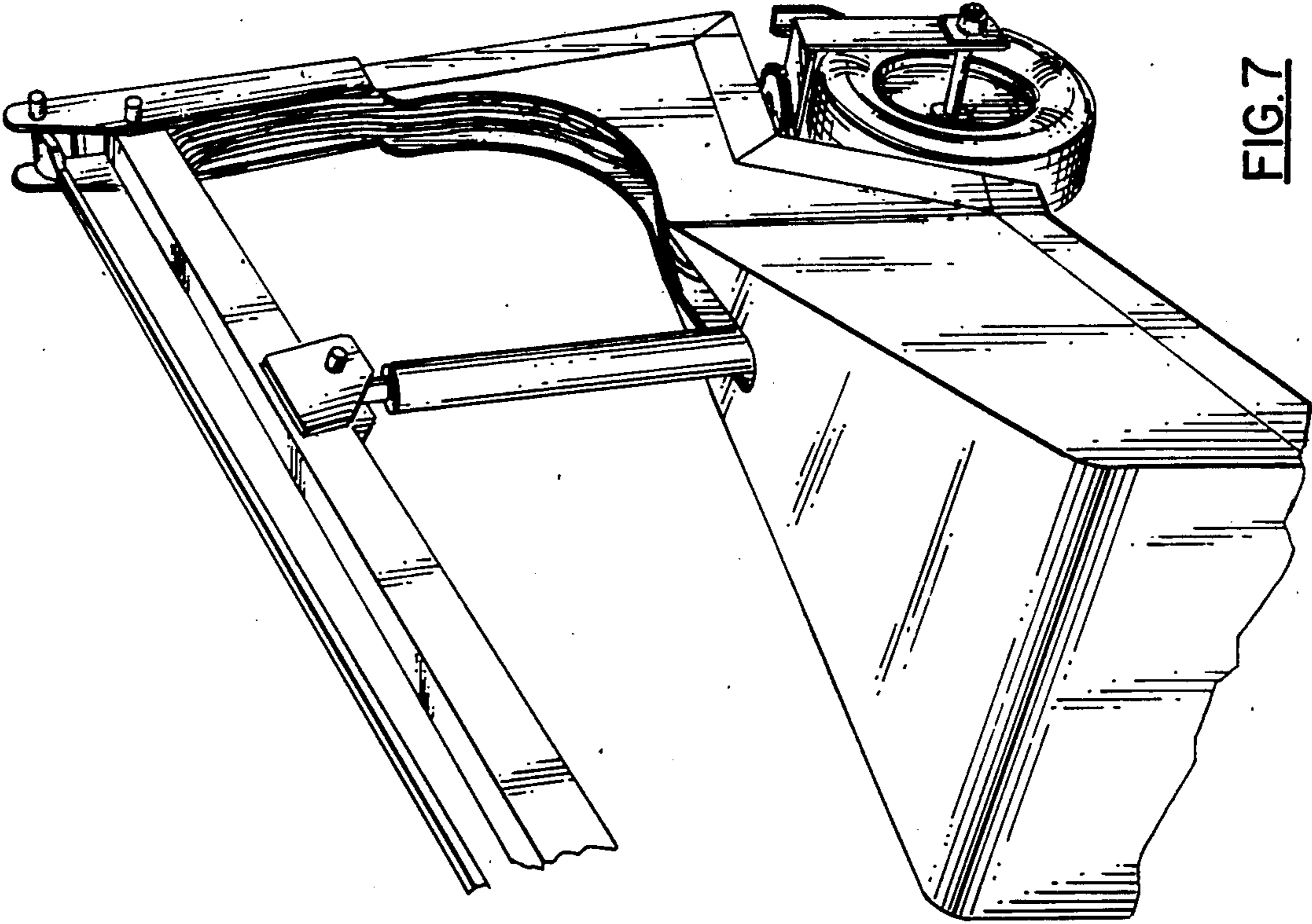


FIG. 7