

[54] BABY BOTTLE DRAIN RACK

[76] Inventor: Brian O. Boula, 4007 Bremner Blvd., Richmond, Va. 23228

[\*\*] Term: 14 Years

[21] Appl. No.: 239,840

[22] Filed: Sep. 2, 1988

[52] U.S. Cl. .... D32/55

[58] Field of Search ..... D32/55-58; D34/40-43, 46; 220/485-488, 507, 509, 512, 515-516

[56] References Cited

U.S. PATENT DOCUMENTS

- D. 158,631 5/1950 Woock ..... D34/40 X
- D. 209,159 11/1967 Kesilman et al. .... D32/55
- D. 222,238 10/1971 Rehrig ..... D34/42
- 2,507,152 5/1950 Garofalo ..... 220/485 X

FOREIGN PATENT DOCUMENTS

251115 4/1964 Australia ..... 220/486

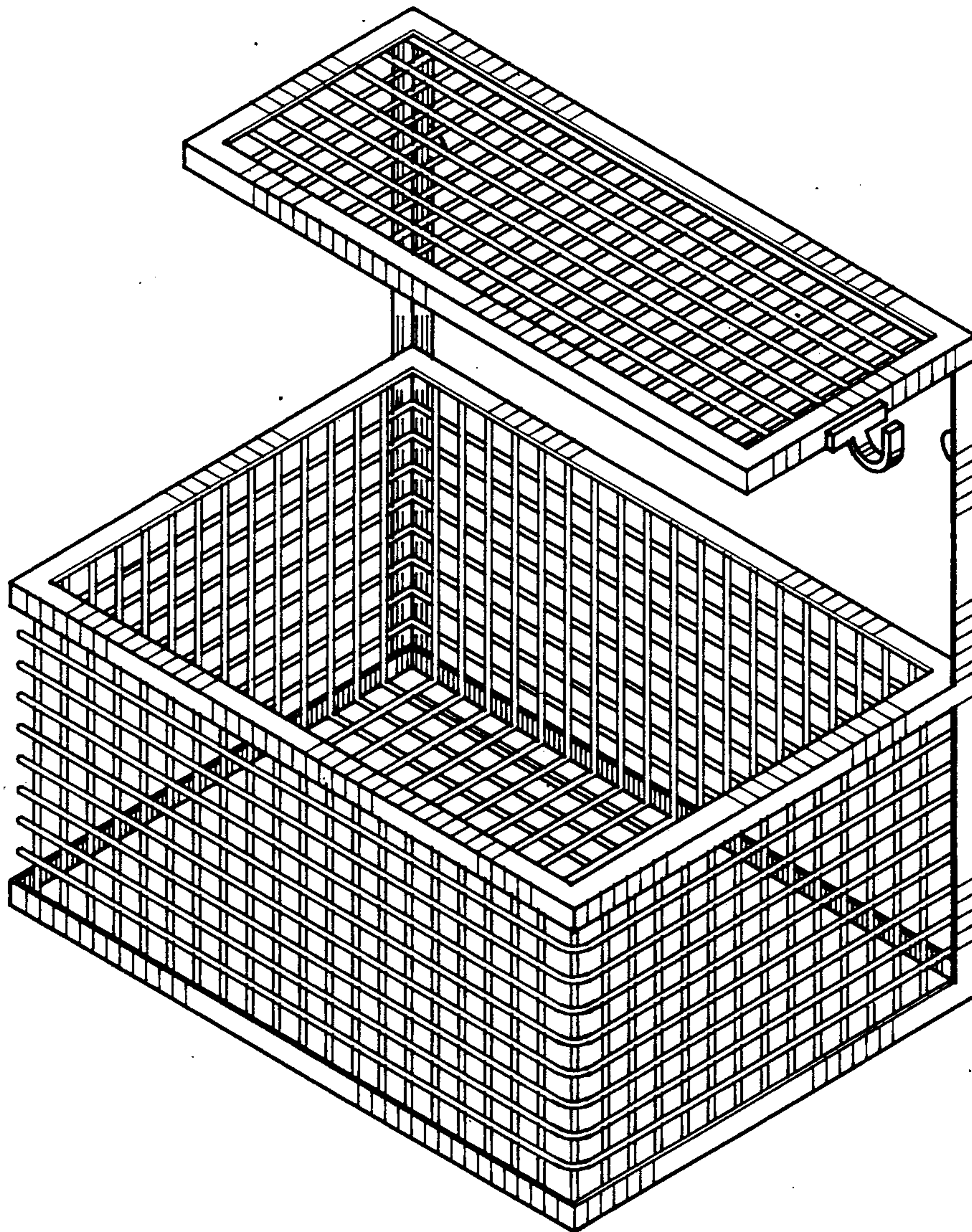
Primary Examiner—Wallace R. Burke  
Assistant Examiner—Lavone D. Tabor  
Attorney, Agent, or Firm—Jerry T. Kearns

[57] CLAIM

The ornamental design for a baby bottle drain rack, as shown and described.

DESCRIPTION

FIG. 1 is a front elevational view of a baby bottle drain rack showing my new design; FIG. 2 is a rear elevational view thereof; FIG. 3 is a left side elevational view thereof; FIG. 4 is a right side elevational view thereof; FIG. 5 is a top plan view thereof; FIG. 6 is a bottom plan view thereof; and, FIG. 7 is a perspective view thereof.



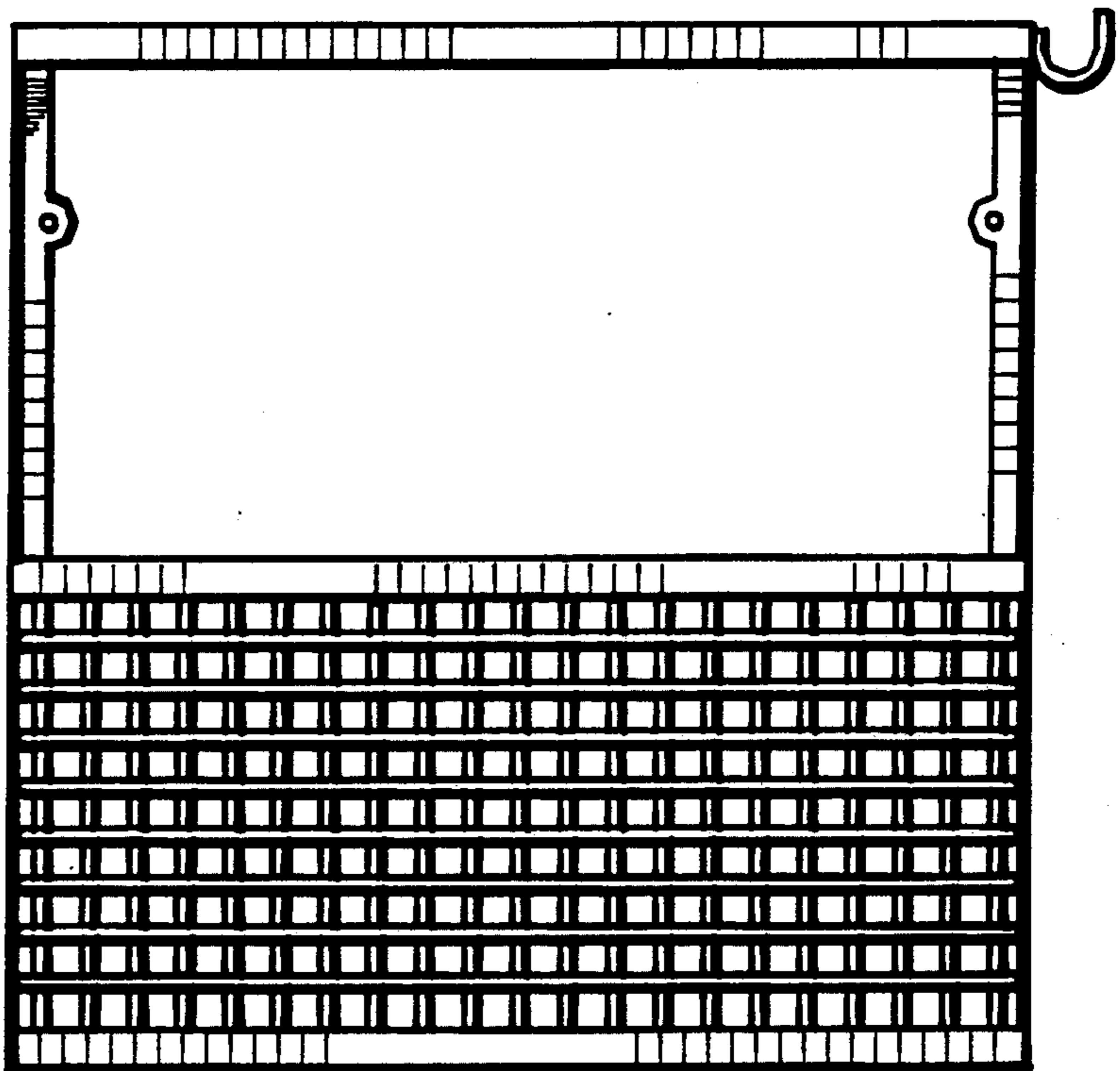


Fig. 1

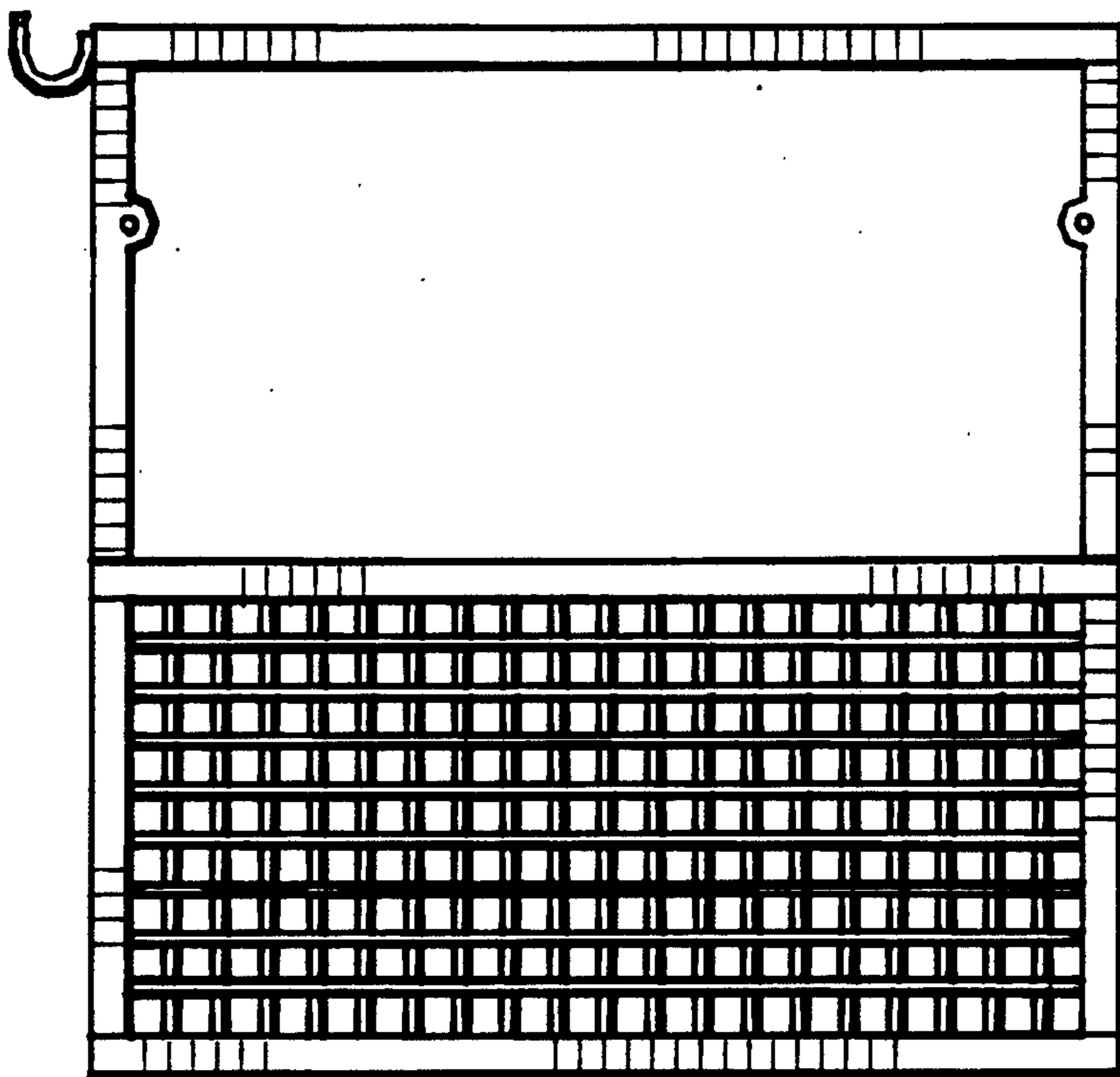
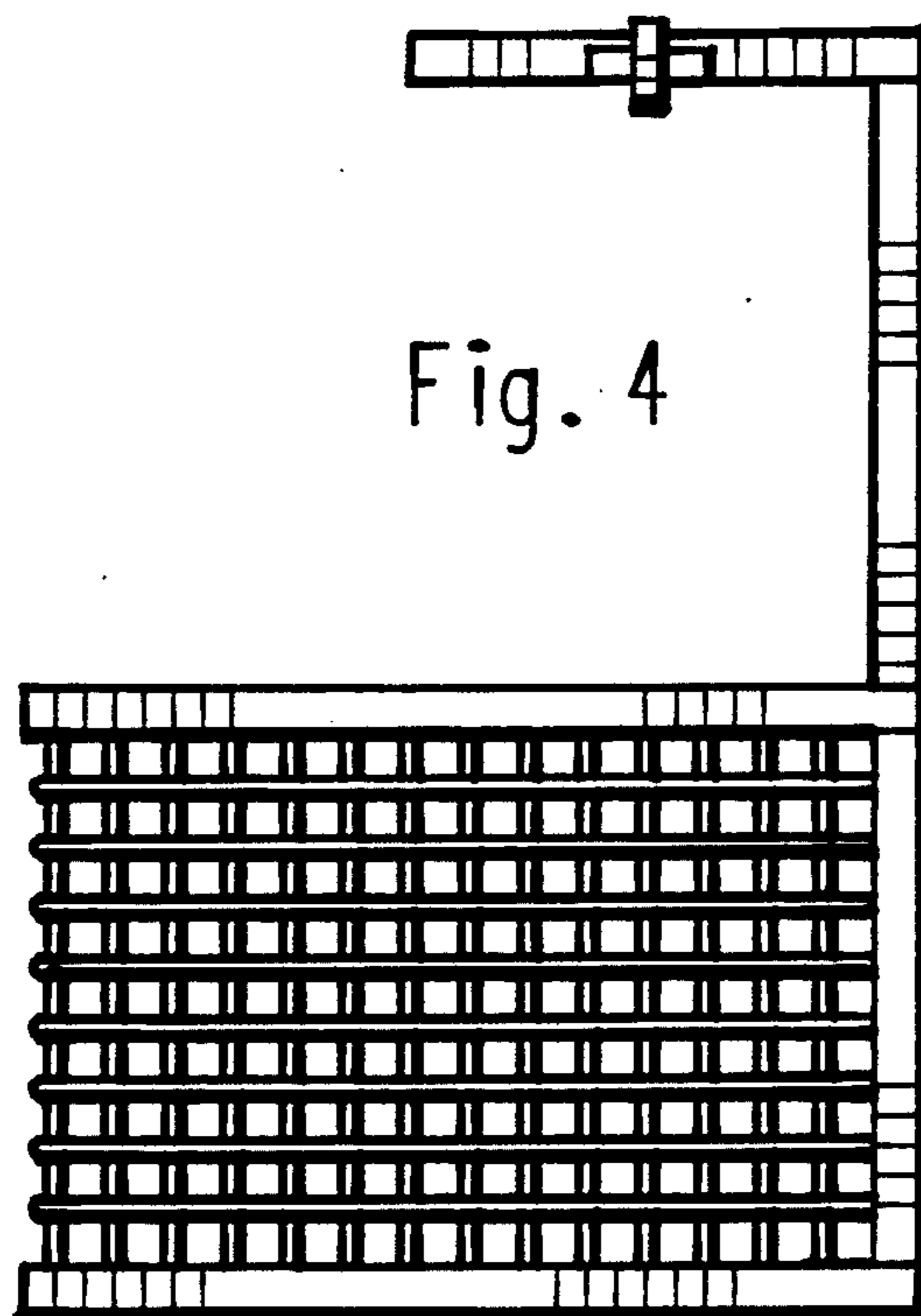
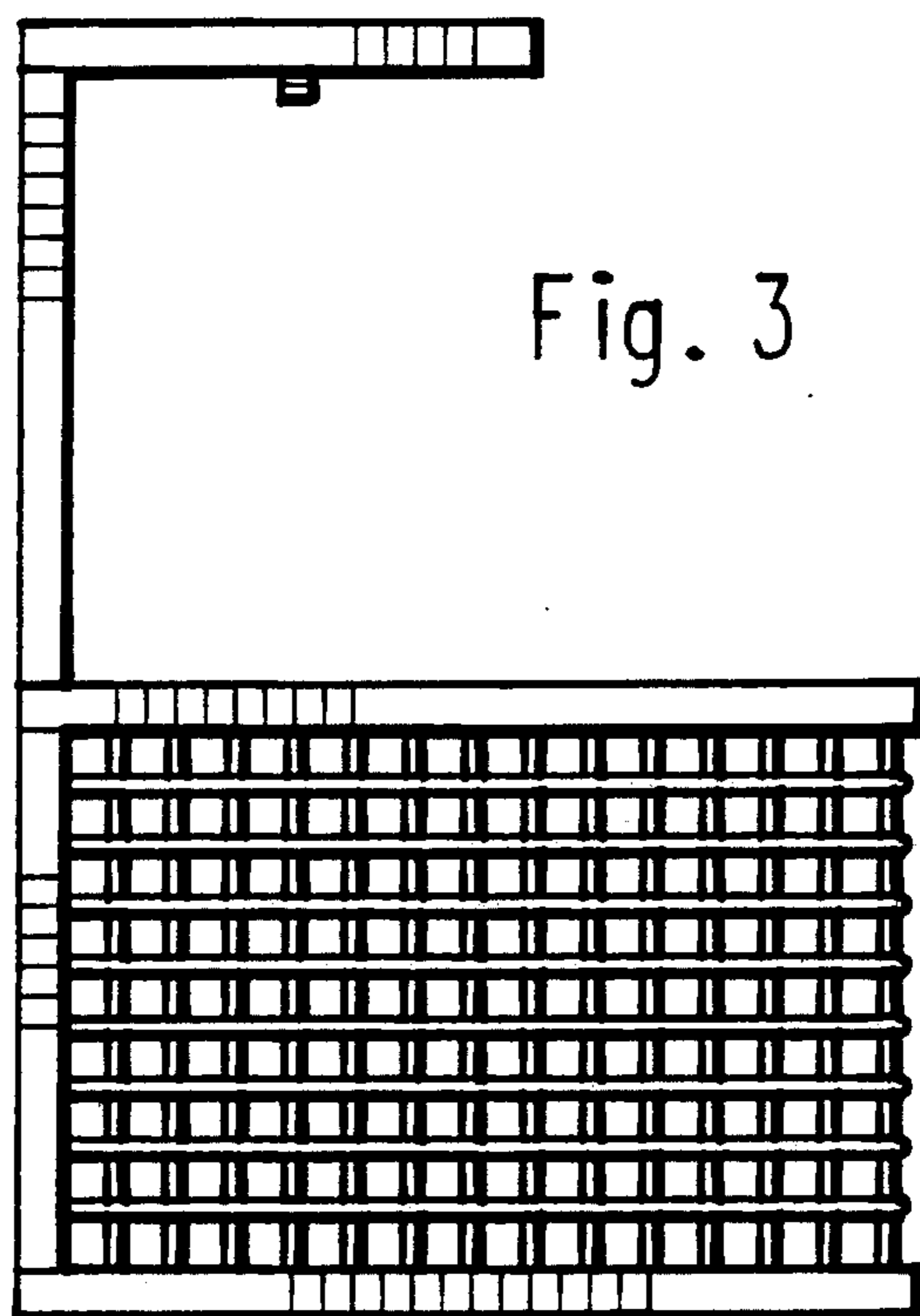


Fig. 2





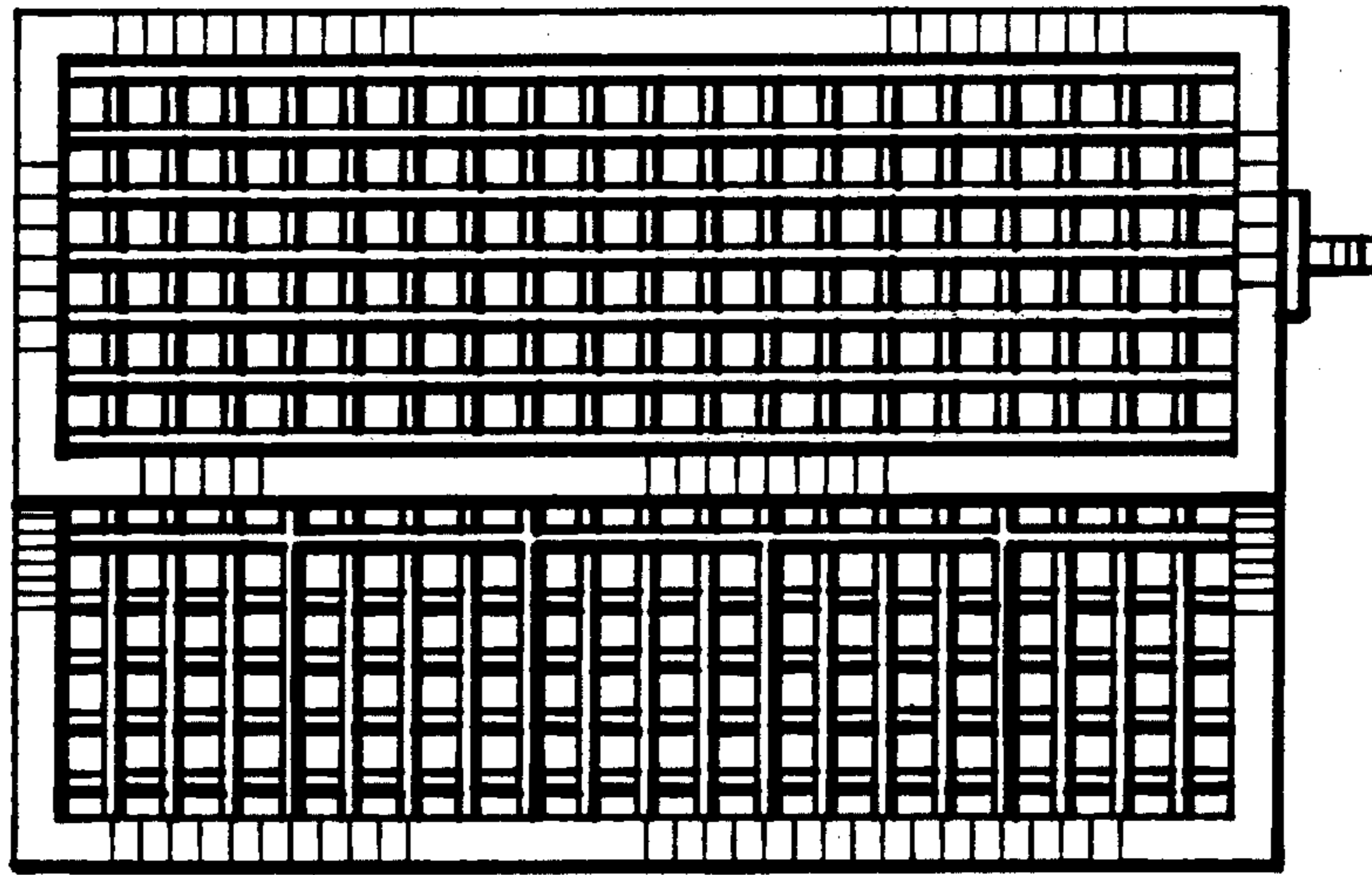


Fig. 5

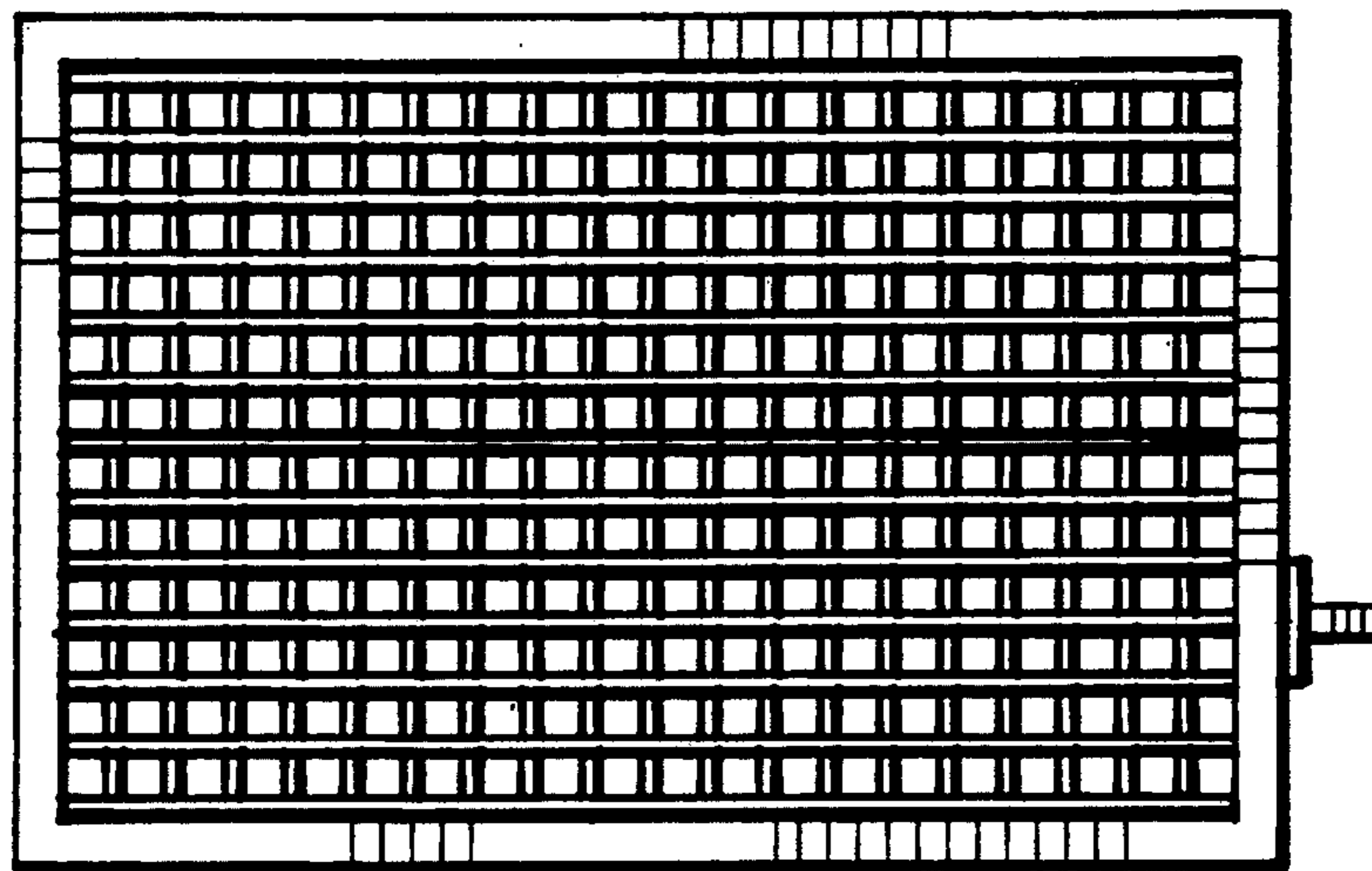


Fig. 6

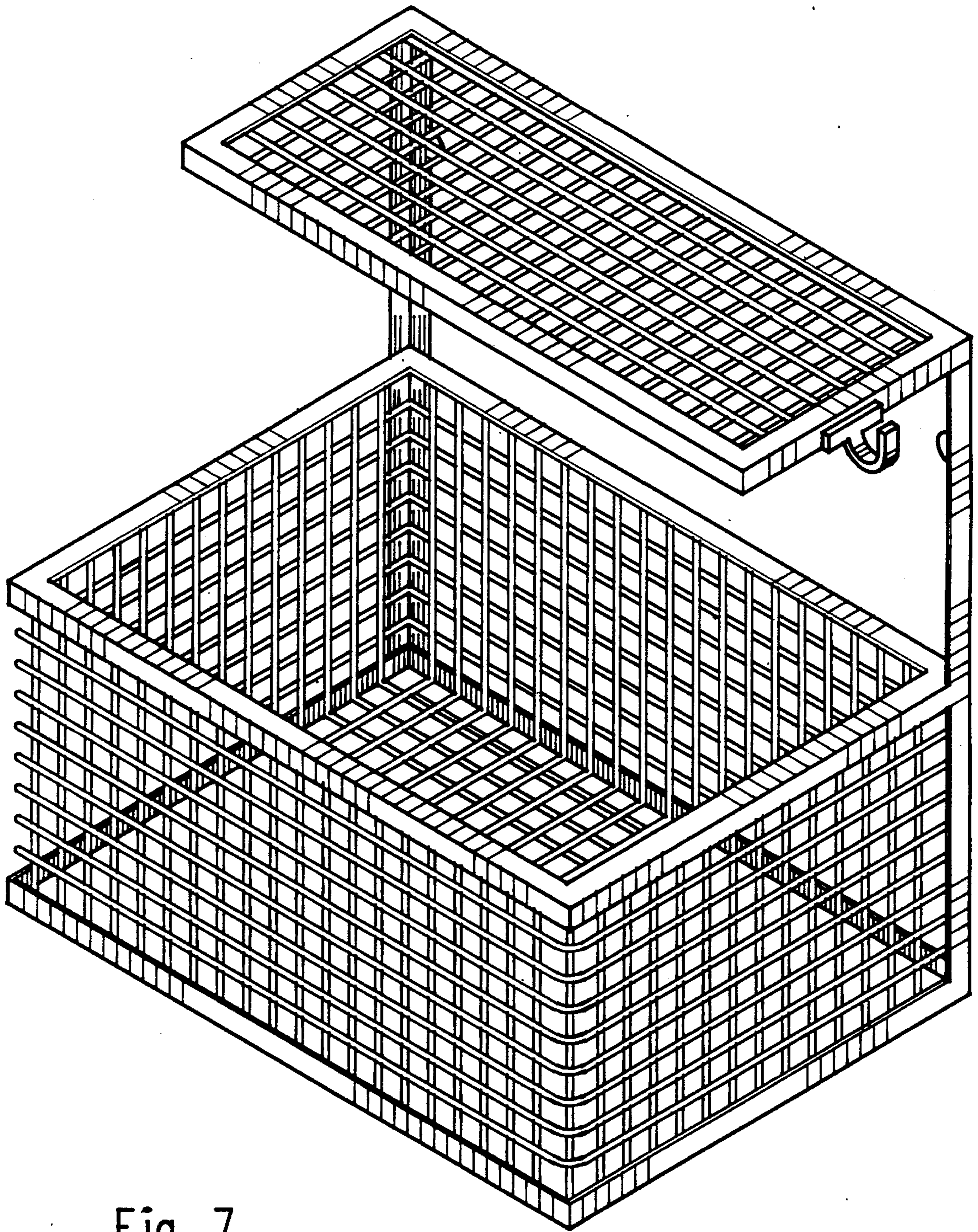


Fig. 7