

[54] GAS MASK

4,945,907 8/1990 Tayebi 128/206.15

[76] Inventors: Akira Kumagai, 4-21-42-101, Irifune, Urayasu-shi, chiba-ken; Hitoshi Kumagai, 4-25-21, Okudo, Katsushika-ku, Tokyo both of Japan

Primary Examiner—Kay H. Chin
Attorney, Agent, or Firm—Fleit, Jacobson, Cohn, Price, Holman & Stern

[**] Term: 14 Years

[57] CLAIM

The ornamental design for a gas mask, as described and shown.

[21] Appl. No.: 437,501

DESCRIPTION

[22] Filed: Nov. 16, 1989

[52] U.S. Cl. D29/7; D29/8

[58] Field of Search D29/6, 7, 8;
128/206.16, 206.17, 206.15, 206.12, 206.24,
207.11

FIG. 1 is a front elevational view of a gas mask showing our new design;
FIG. 2 is a rear elevational view thereof;
FIG. 3 is a top plan view thereof;
FIG. 4 is a right side elevational view thereof;
FIG. 5 is a bottom plan view thereof;
FIG. 6 is a left side elevational view thereof;
FIG. 7 is a sectional view thereof taken along the line VII—VII of FIG. 1; and
FIG. 8 is a top and front perspective view thereof.

[56] References Cited

U.S. PATENT DOCUMENTS

D. 294,410 2/1988 Montest D29/7
4,688,567 8/1987 Kikuchi et al. 128/206.15

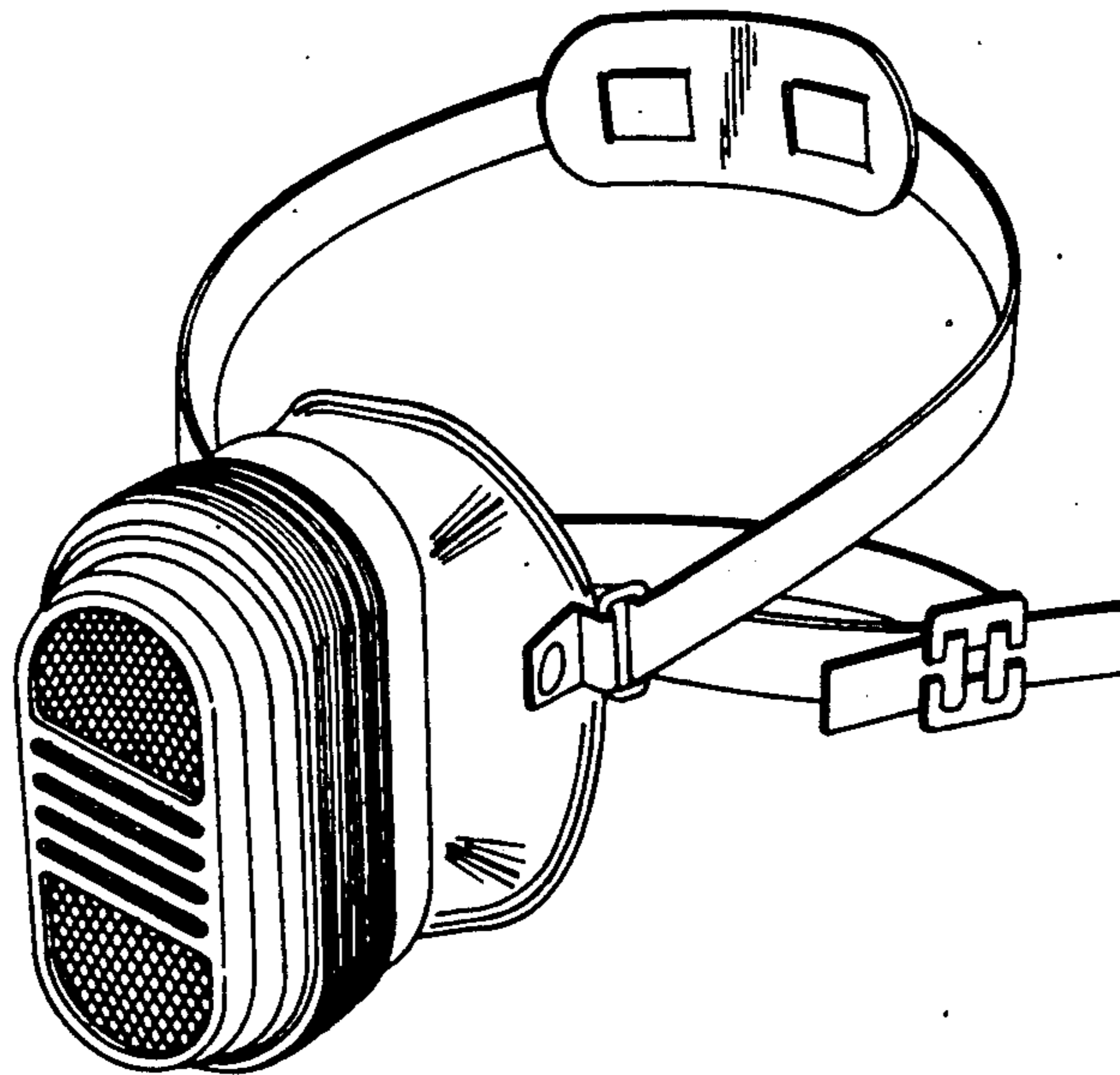


FIG. 1

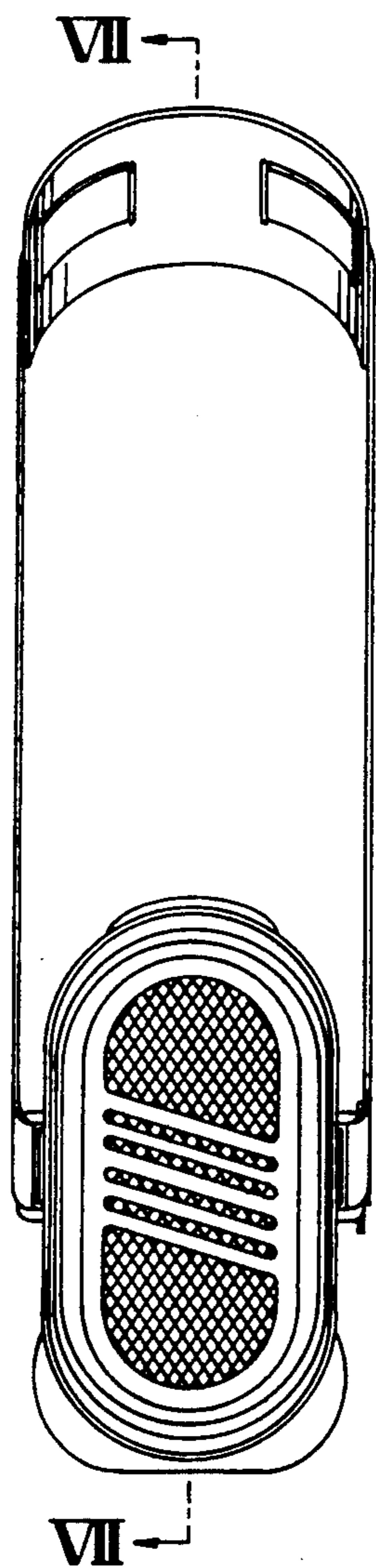


FIG. 2

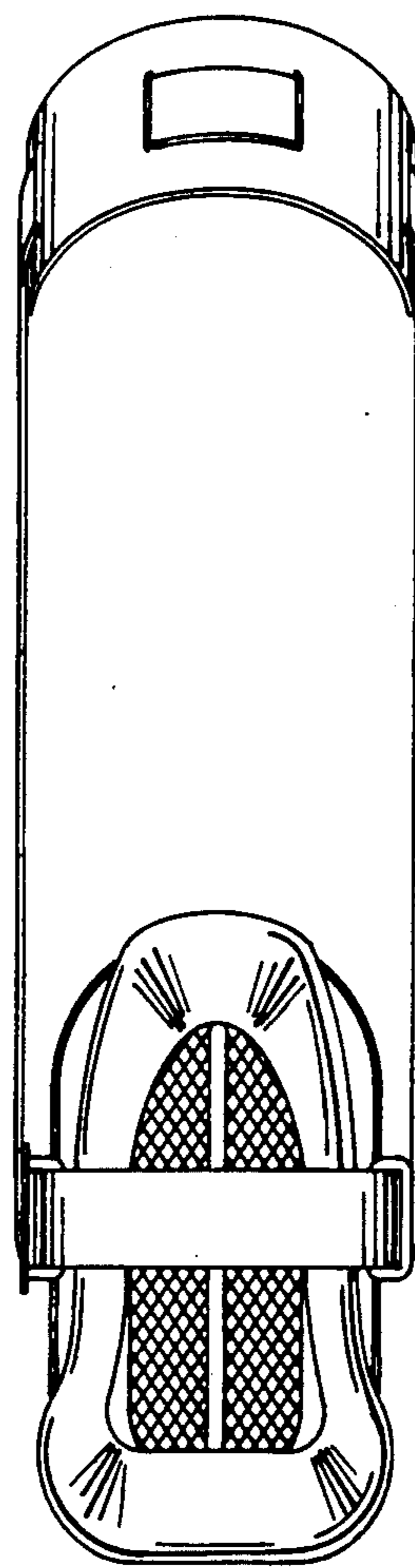


FIG. 3

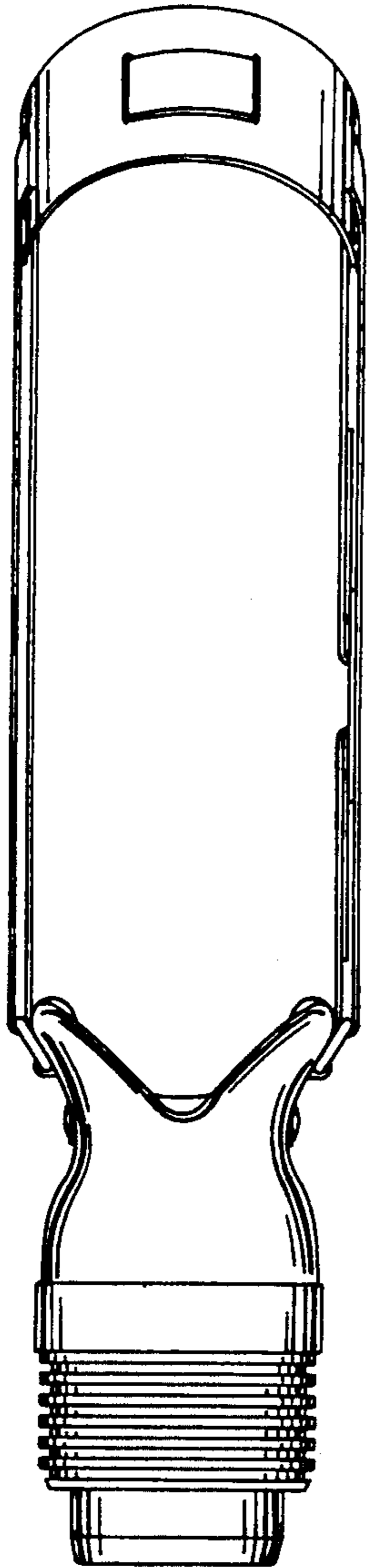


FIG. 4

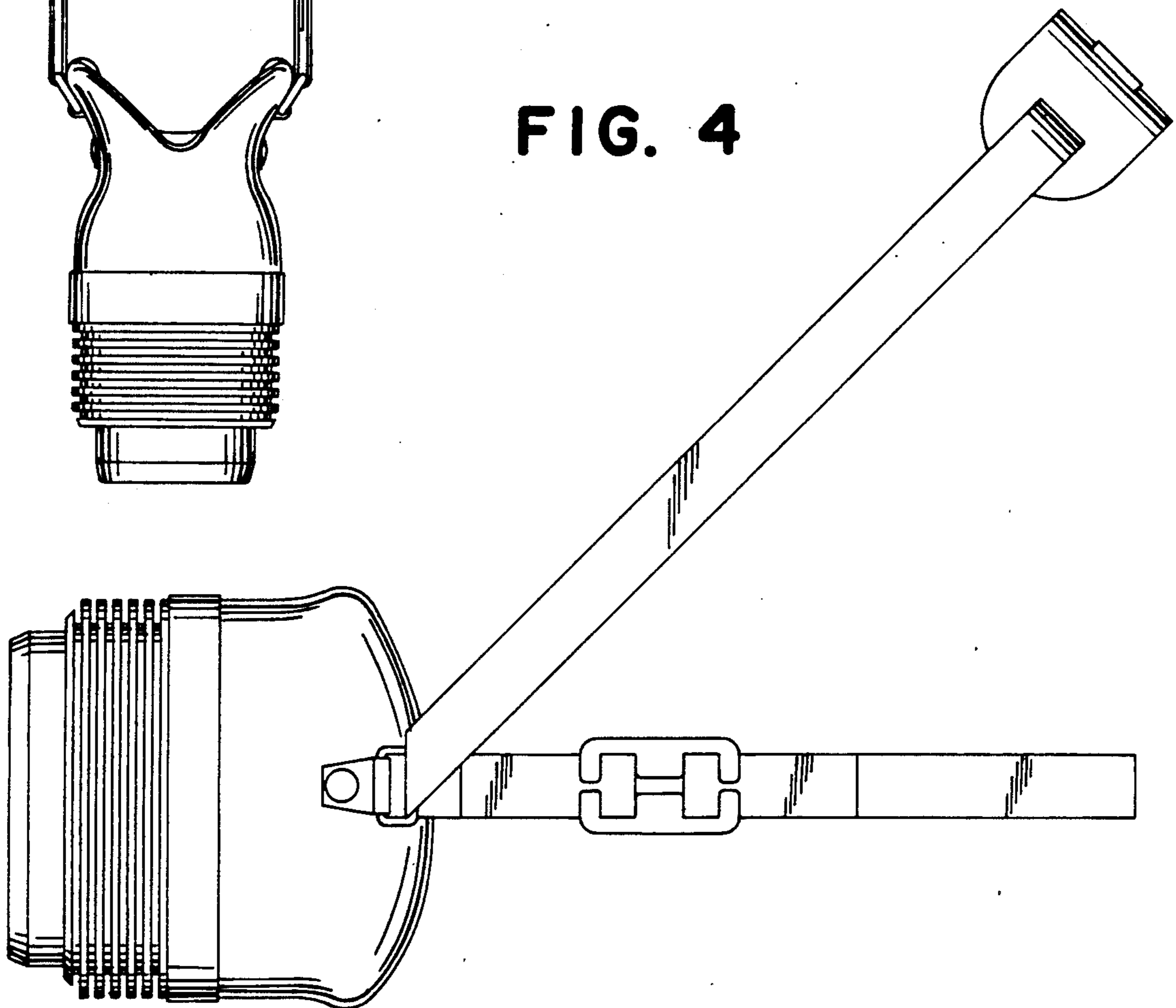


FIG. 5

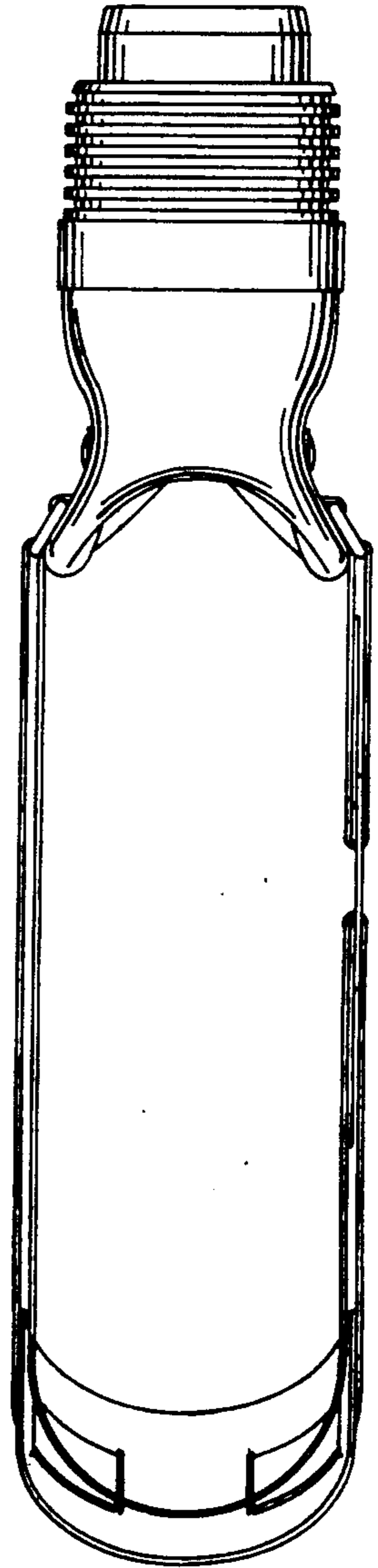
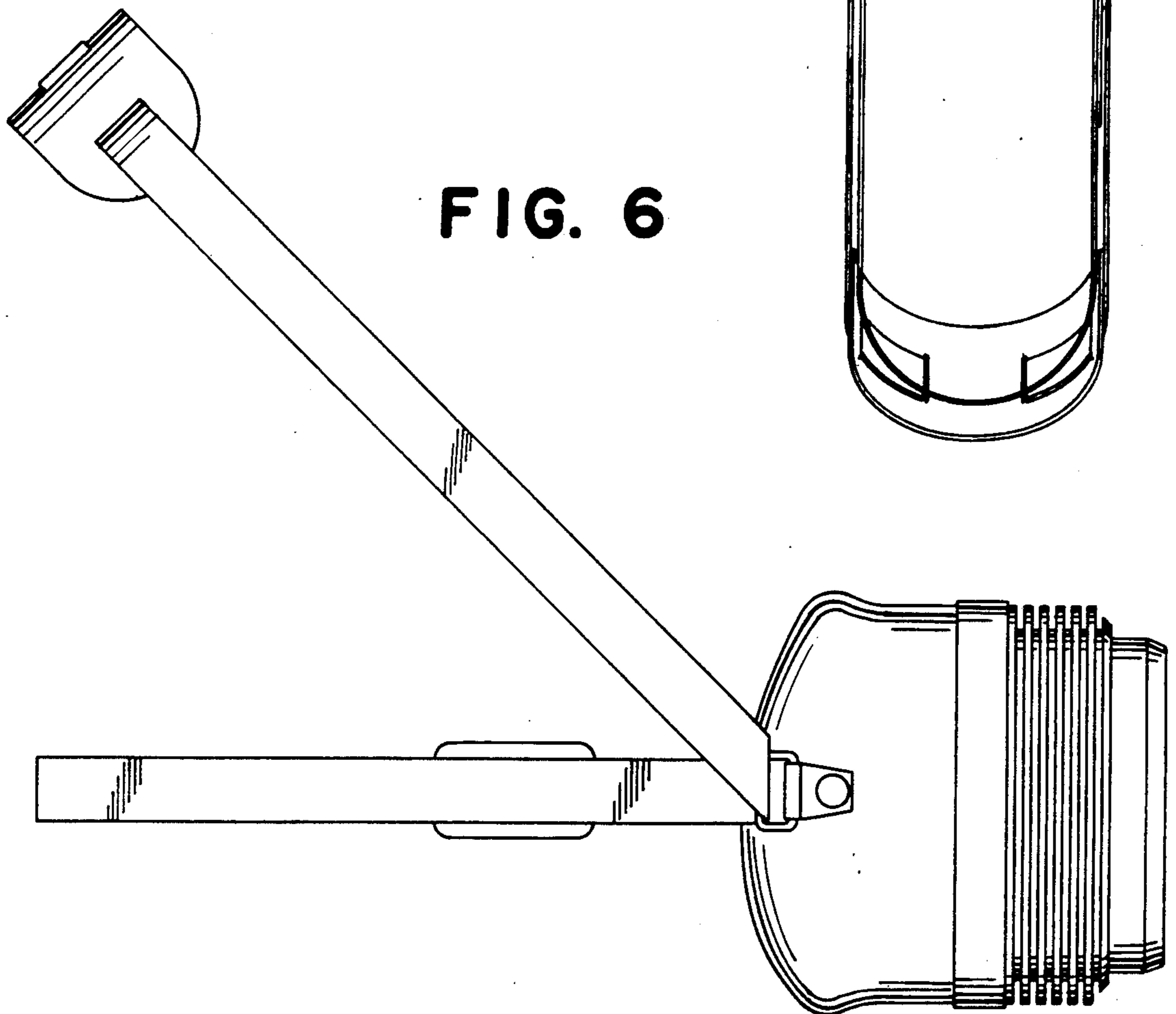


FIG. 6



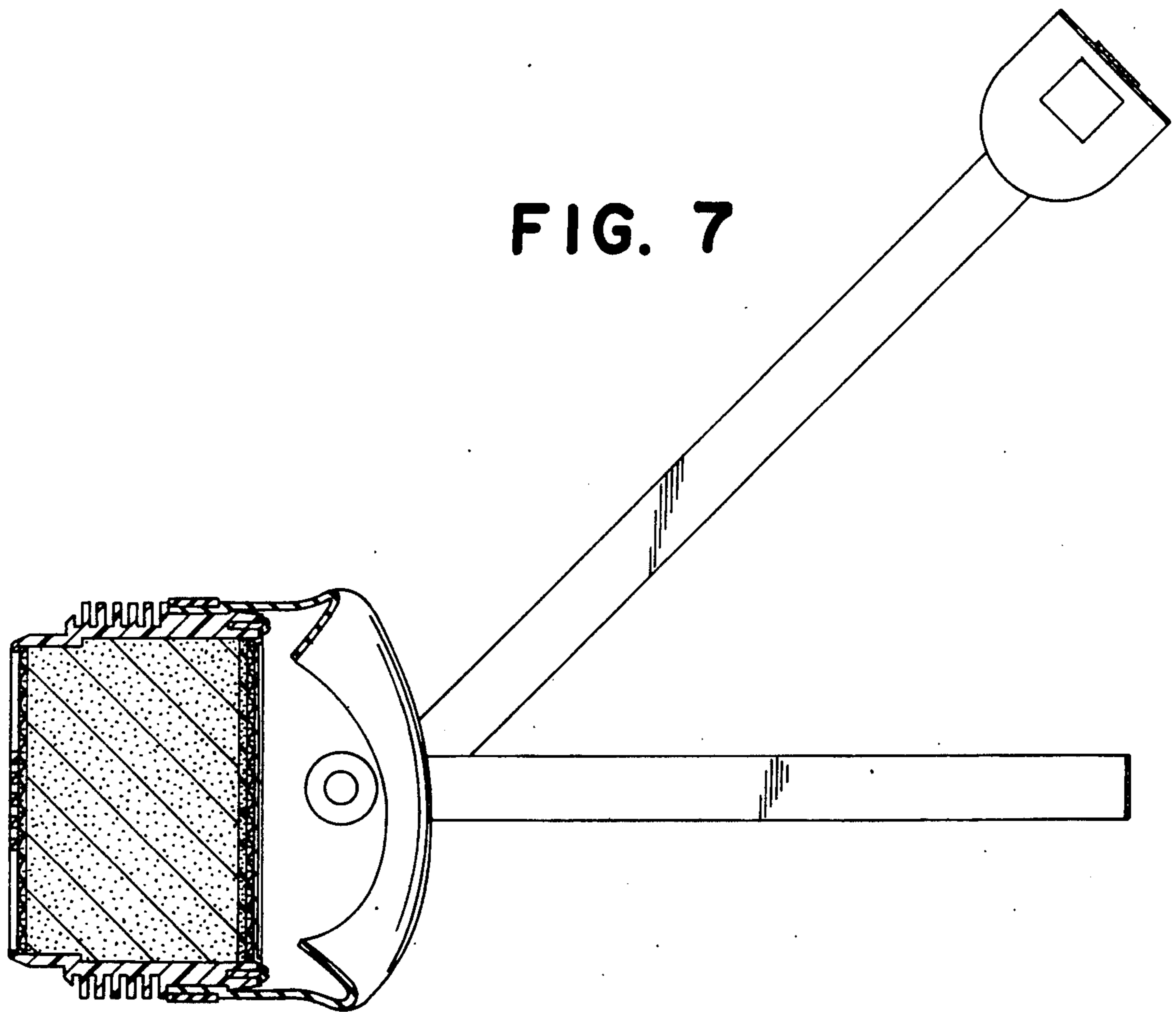


FIG. 7

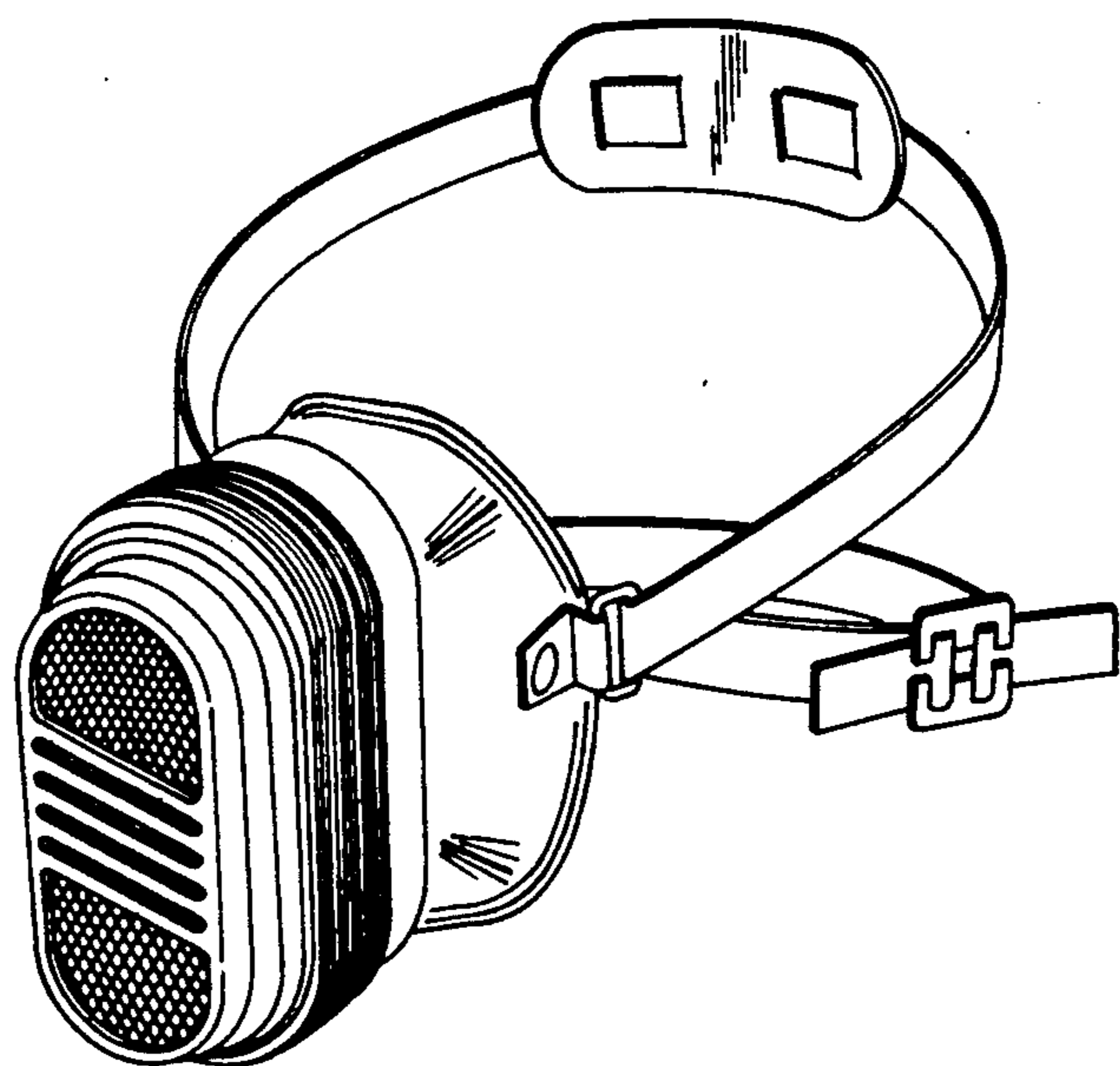


FIG. 8