

[54] COMBINED CONTAINER/BOTTLE AND COSMETIC WAND APPLICATORS OR THE LIKE

[75] Inventors: Henry J. Cassai, 163-47 85th St., Howard Beach, N.Y. 11414; Gino H. Cassai, deceased, late of Brooklyn, N.Y., by Josephine Cassai, legal representative

[73] Assignee: Henry J. Cassai, Howard Beach, N.Y.

[*] Notice: The portion of the term of this patent subsequent to Feb. 6, 2004 has been disclaimed.

[**] Term: 14 Years

[21] Appl. No.: 397,297

[22] Filed: Aug. 23, 1989

Related U.S. Application Data

[62] Division of Ser. No. 337,532, Apr. 14, 1989, Pat. No. Des. 305,945, which is a division of Ser. No. 765,394, Aug. 14, 1985, abandoned.

[52] U.S. Cl. D28/7; D9/337

[58] Field of Search D28/4-8, D28/61, 73, 76-91.1; D3/39; D9/337, 338, 341, 347, 352, 377; 220/DIG. 26; 206/235, 385, 581, 823; 132/286, 288, 293, 294, 297-301, 303-305, 313-318

[56] References Cited

U.S. PATENT DOCUMENTS

- D. 183,674 10/1958 Bau D28/7
- D. 209,182 11/1967 Buchner D28/77
- D. 274,008 5/1984 Cassai et al. D28/7
- 4,165,755 8/1979 Cassai D28/7 X

Primary Examiner—Louis S. Zarfes

[57] CLAIM

The ornamental design for combined container/bottle and cosmetic wand applicators or the like, as shown and described.

DESCRIPTION

FIG. 1 is a partially exploded front elevational view of a combined container/bottle and cosmetic wand applicators or the like, showing our new design;

FIG. 2 is an exploded rear elevational view of FIG. 1 showing a second embodiment of our new design wherein the cap applicators have been modified;

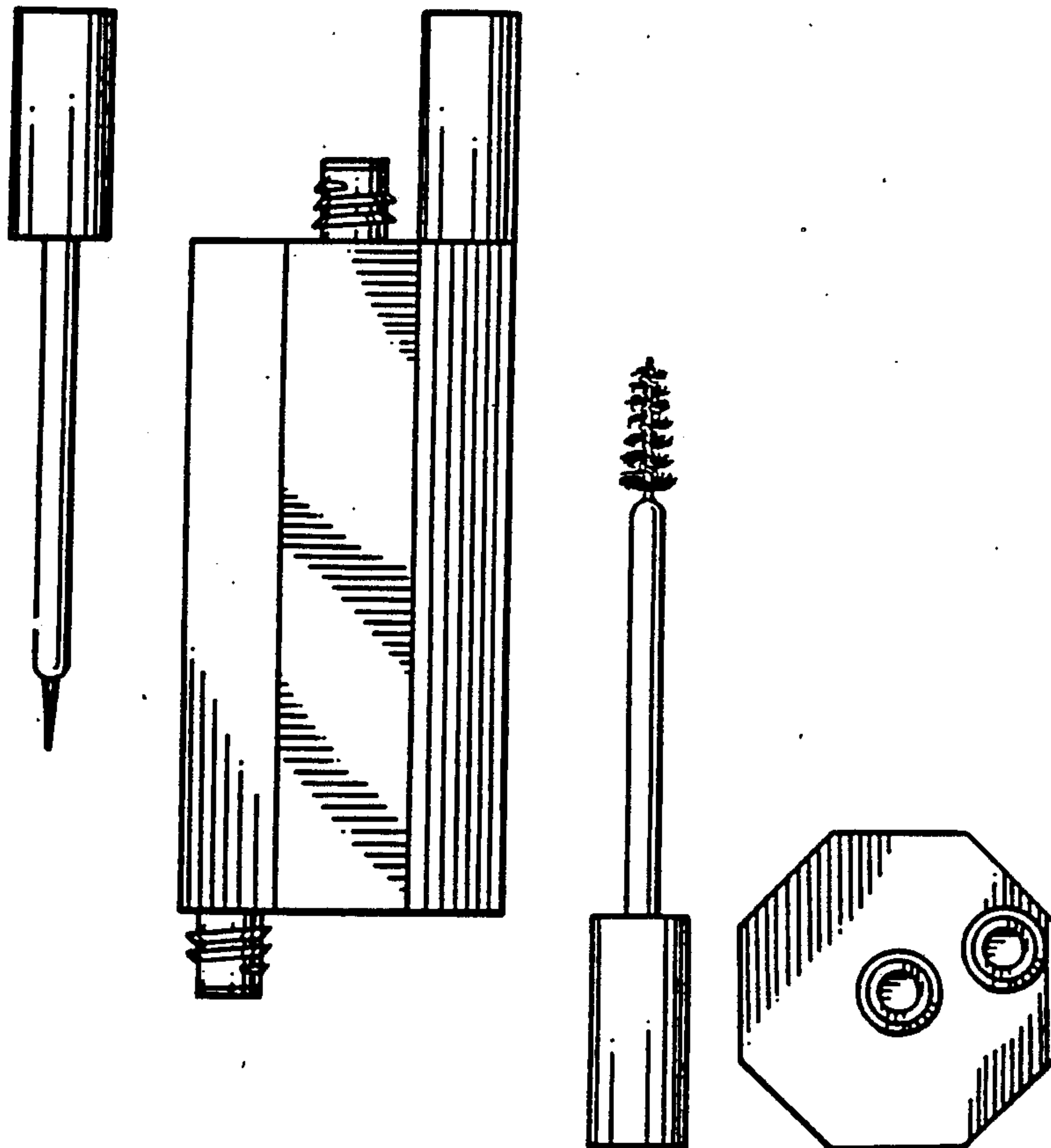
FIG. 3 is a side elevational view of FIG. 1;

FIG. 4 is another side elevational view showing a third embodiment of our new design wherein the applicator caps have been modified;

FIG. 5 is a top plan view of FIG. 1 with applicator caps removed;

FIG. 6 is a bottom plan view of FIG. 1 with applicator cap removed; and

FIG. 7 is a front elevational view of FIG. 1 with applicator caps on.



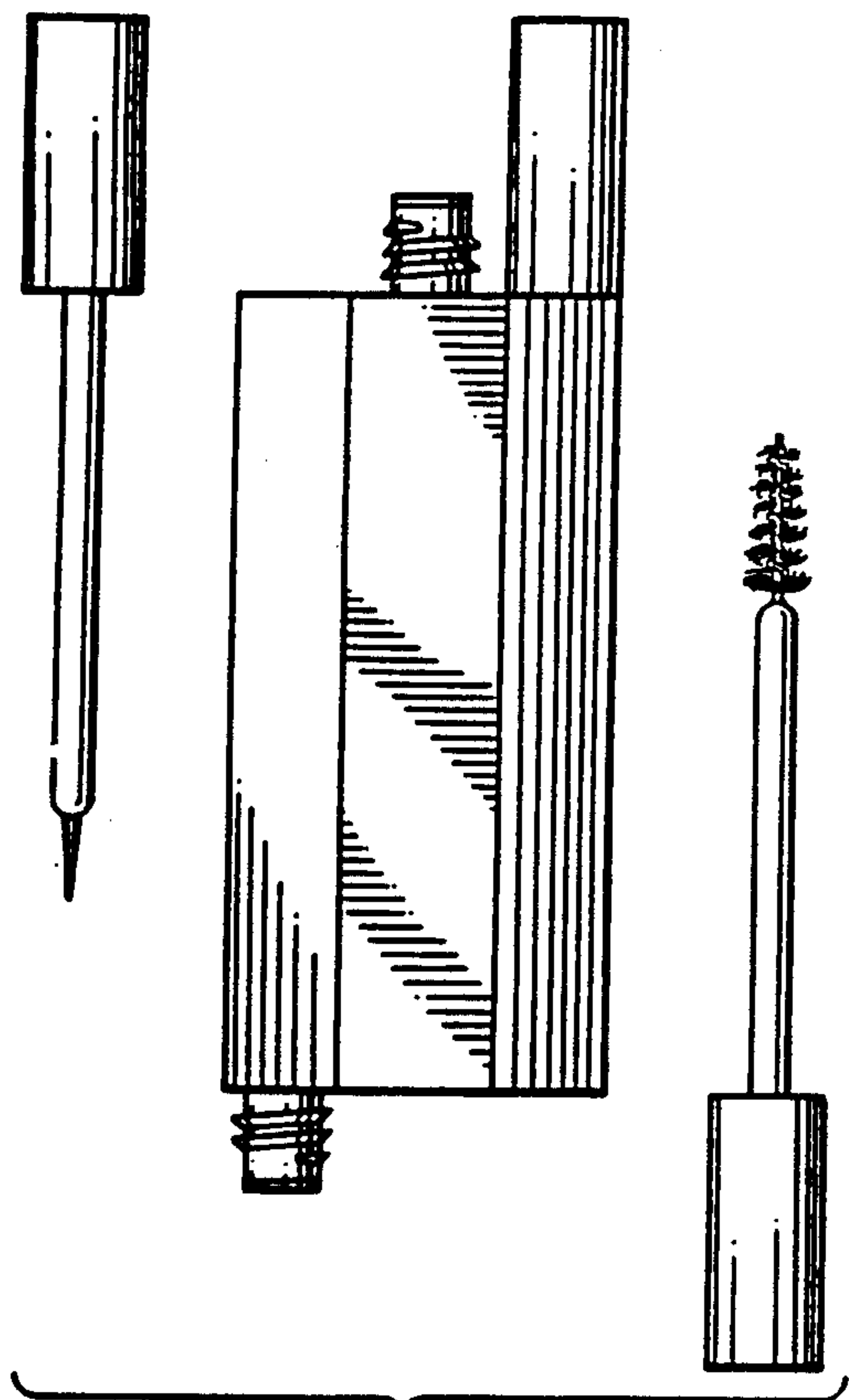


FIG. 1

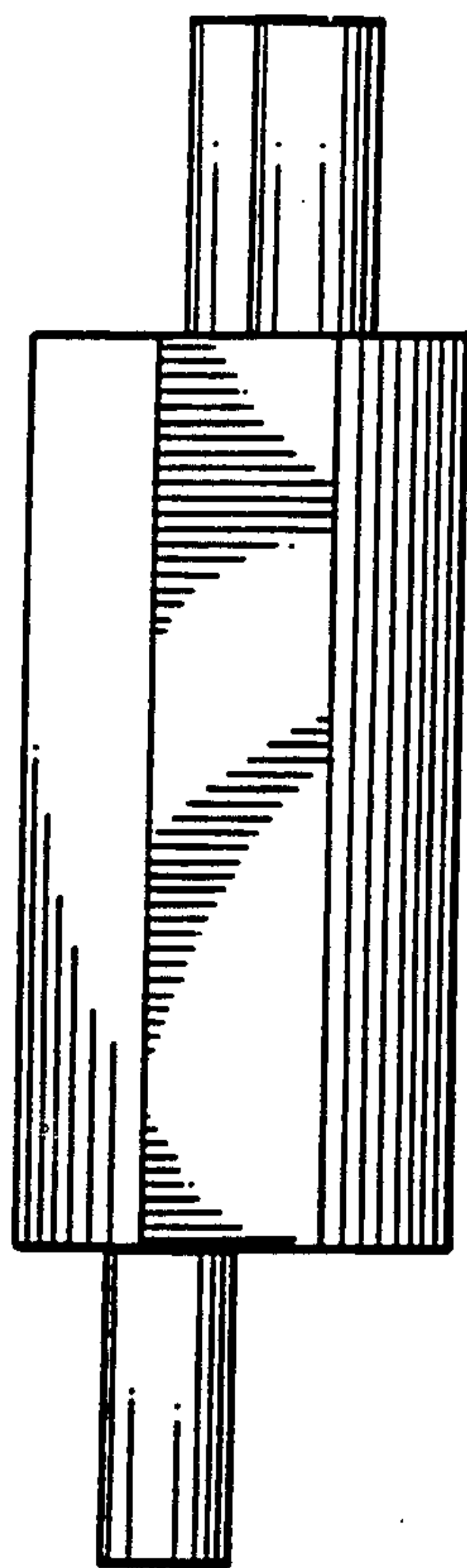


FIG. 3

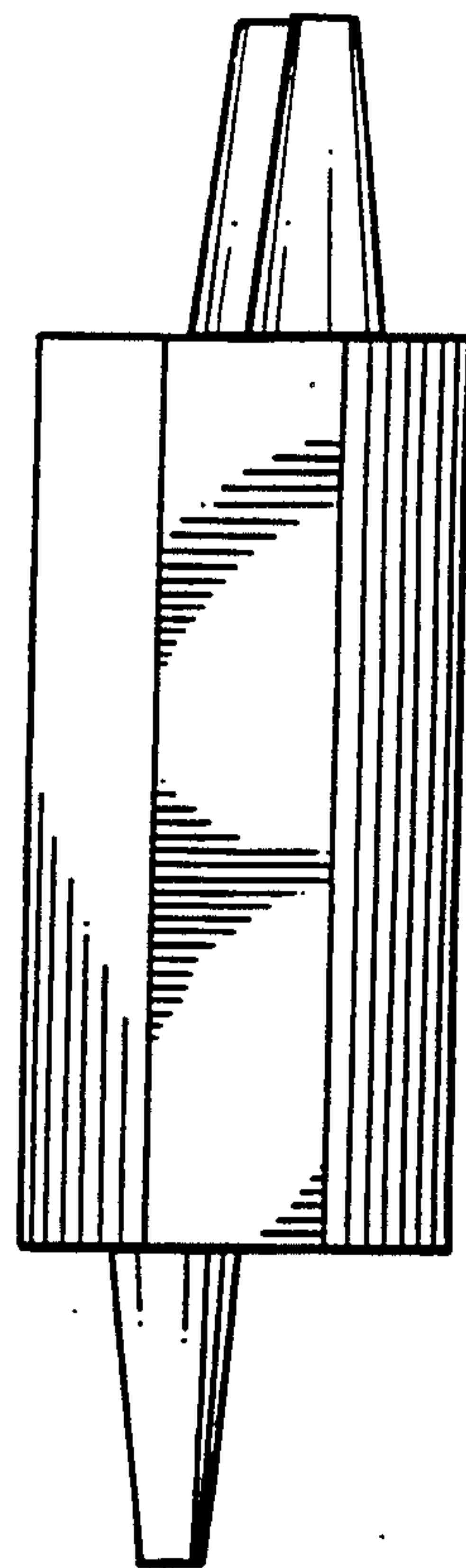


FIG. 4

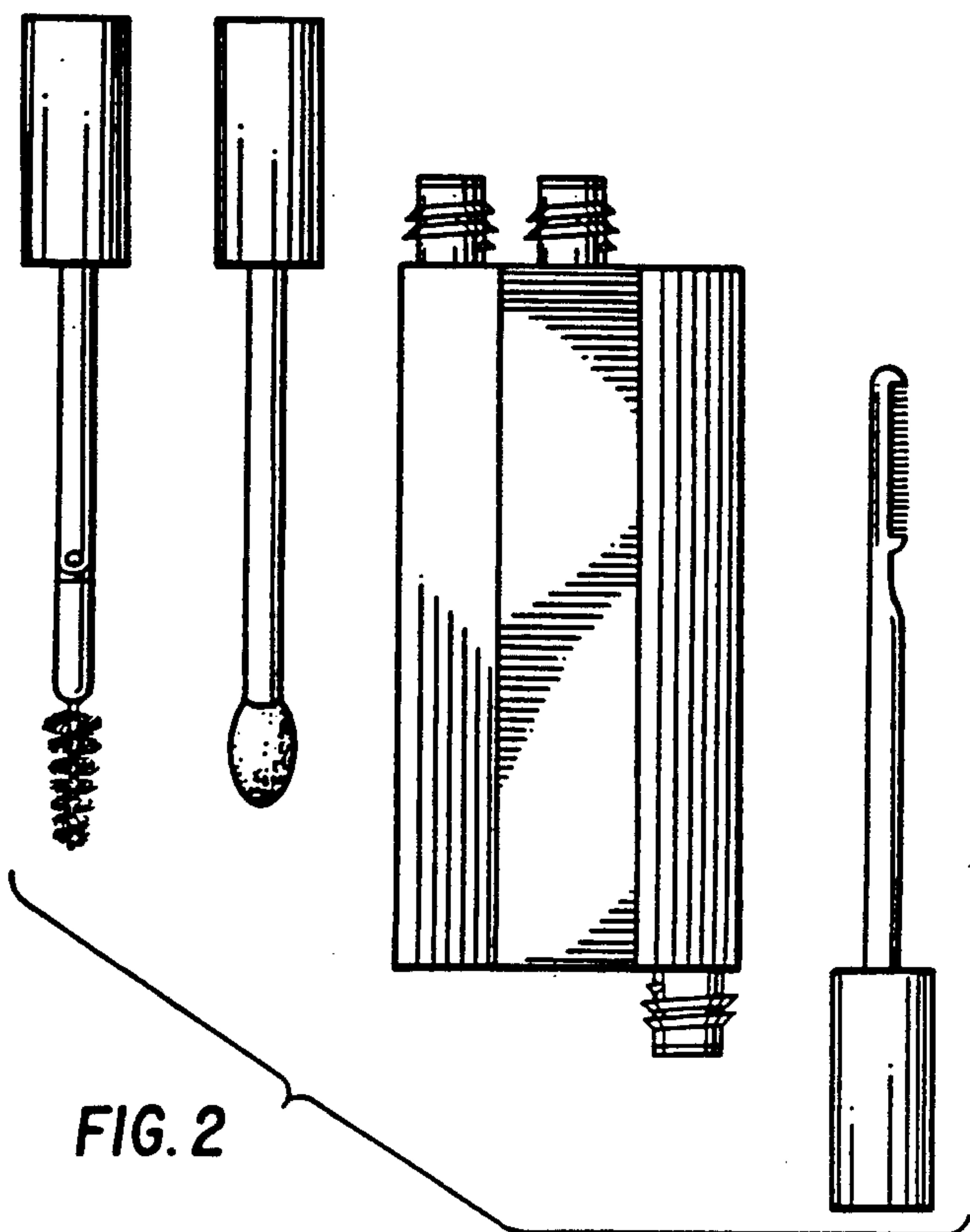


FIG. 2

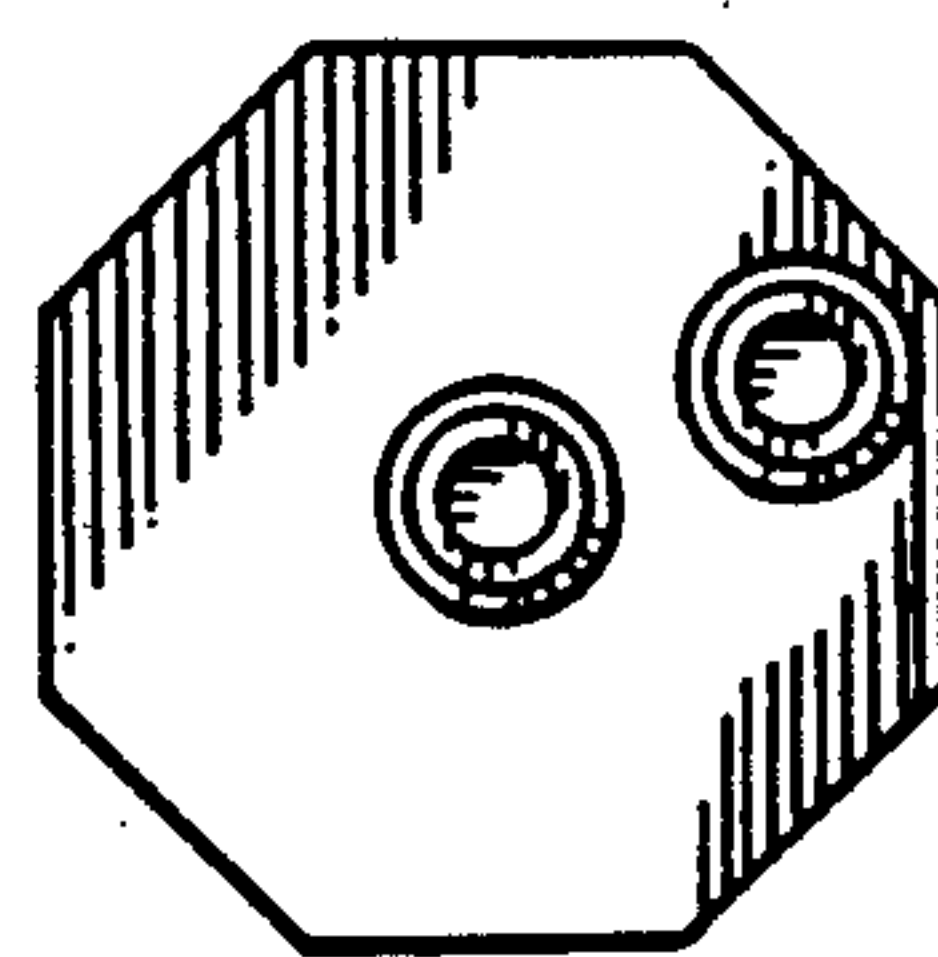


FIG. 5

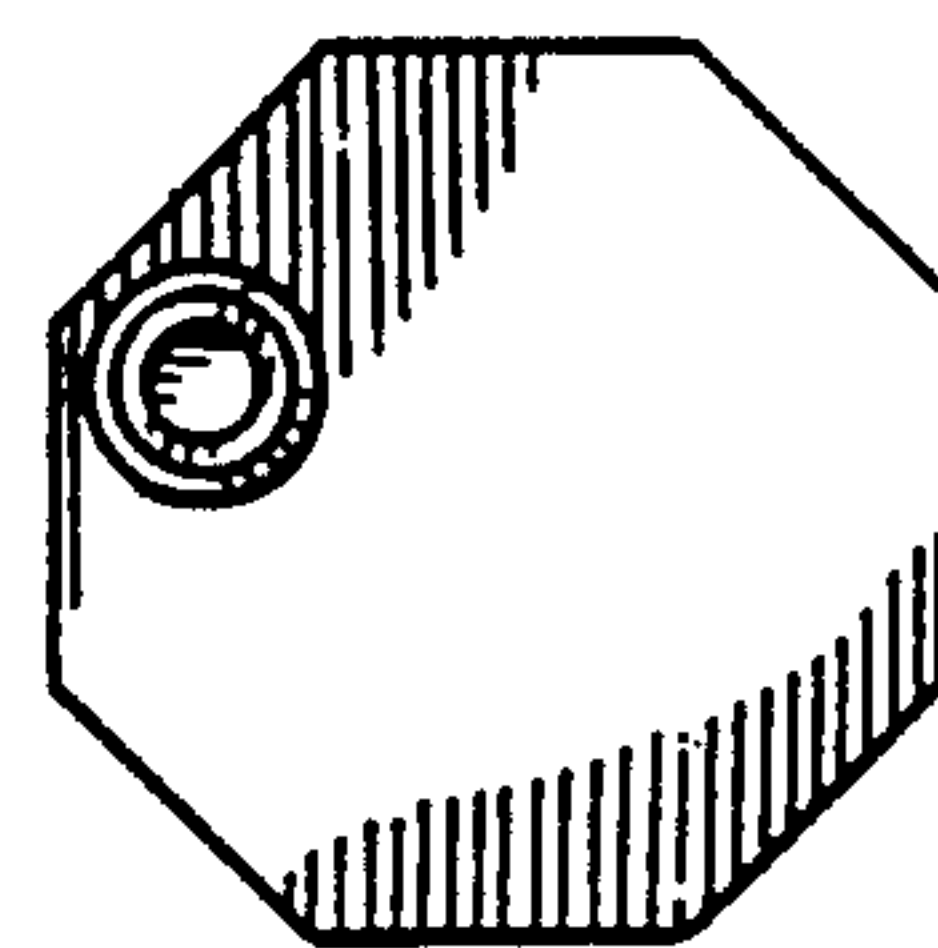


FIG. 6

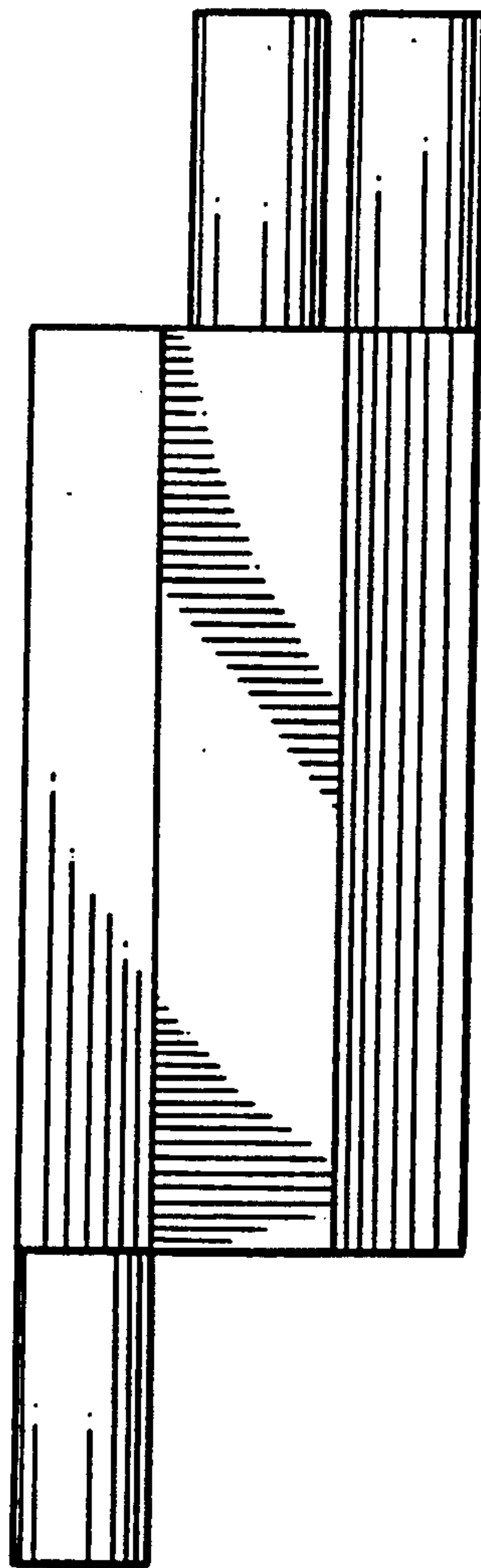


FIG. 7