

[54] WATERPROOF LIGHTER CONTAINER

FOREIGN PATENT DOCUMENTS

[76] Inventor: Michael J. Panaggio, 645 Pelican Bay Dr., Daytona Beach, Fla. 32119

326159 5/1935 Italy 206/38
541087 3/1956 Italy 206/37

[**] Term: 14 Years

Primary Examiner—James M. Gandy
Assistant Examiner—Holly H. Baynham
Attorney, Agent, or Firm—Duckworth, Allen, Dyer & Doppelt

[21] Appl. No.: 563,077

[57] CLAIM

[22] Filed: Aug. 6, 1990

The ornamental design for a waterproof lighter container, as shown and described.

[52] U.S. Cl. D27/144; D27/172

[58] Field of Search D27/144, 172; D9/390, D9/307; 431/124-144; D7/597, 590; 206/37, 86, 38

DESCRIPTION

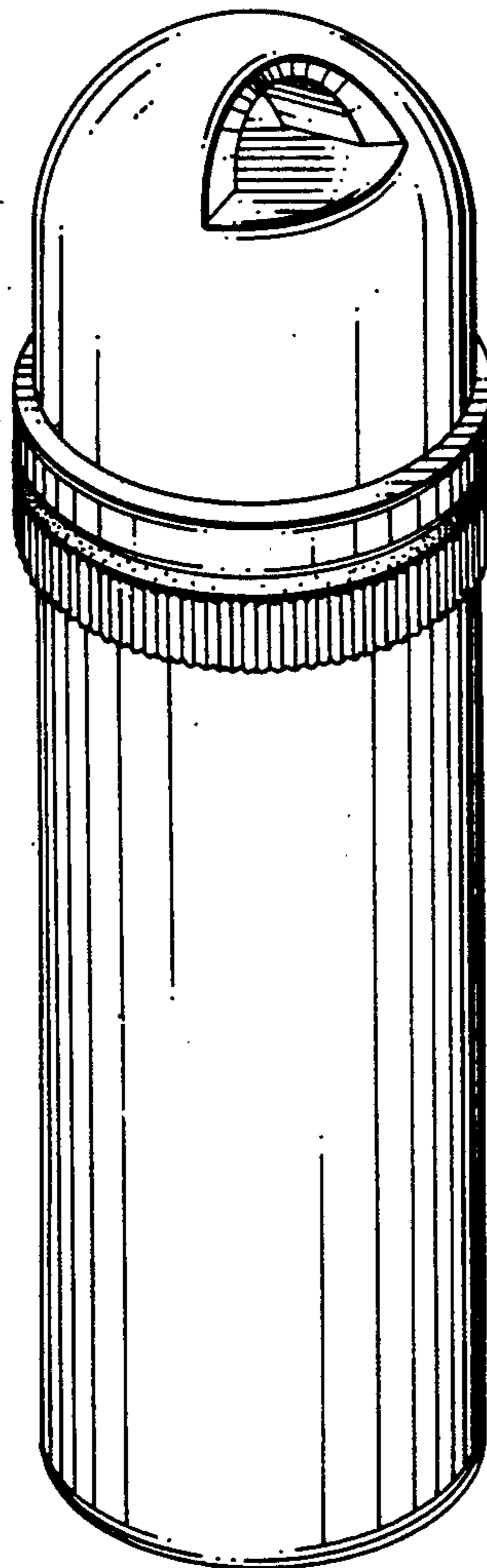
[56] References Cited

U.S. PATENT DOCUMENTS

D. 266,390 10/1982 Haner D7/597
D. 309,075 7/1990 Rossari D7/590
4,393,974 7/1983 Levesque 206/37
4,854,449 8/1989 Fitzhugh 206/37

FIG. 1 is front perspective view of a waterproof lighter container showing my new design; FIG. 2 is a top plan view thereof; FIG. 3 is a bottom plan view thereof; FIG. 4 is a right side elevational view thereof; FIG. 5 is a left side elevational view thereof; and FIG. 6 is a perspective view thereof with the cap removed.

The waterproof lighter container in FIGS. 4 and 5 is shown broken away to indicate indeterminate length.



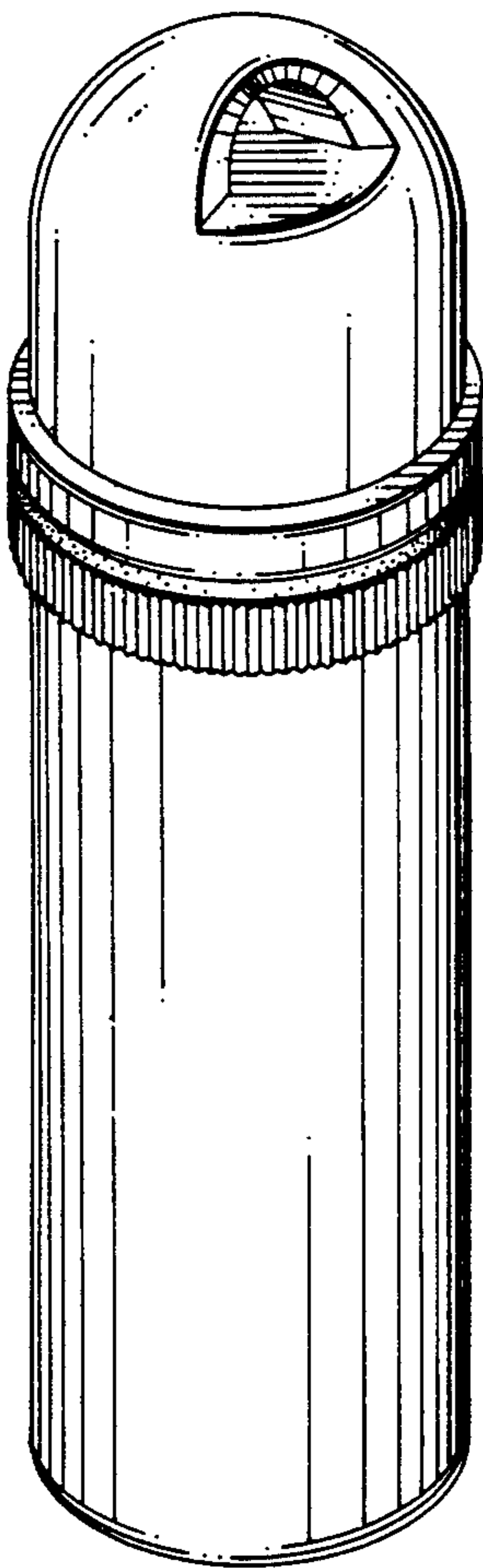


FIG. 1

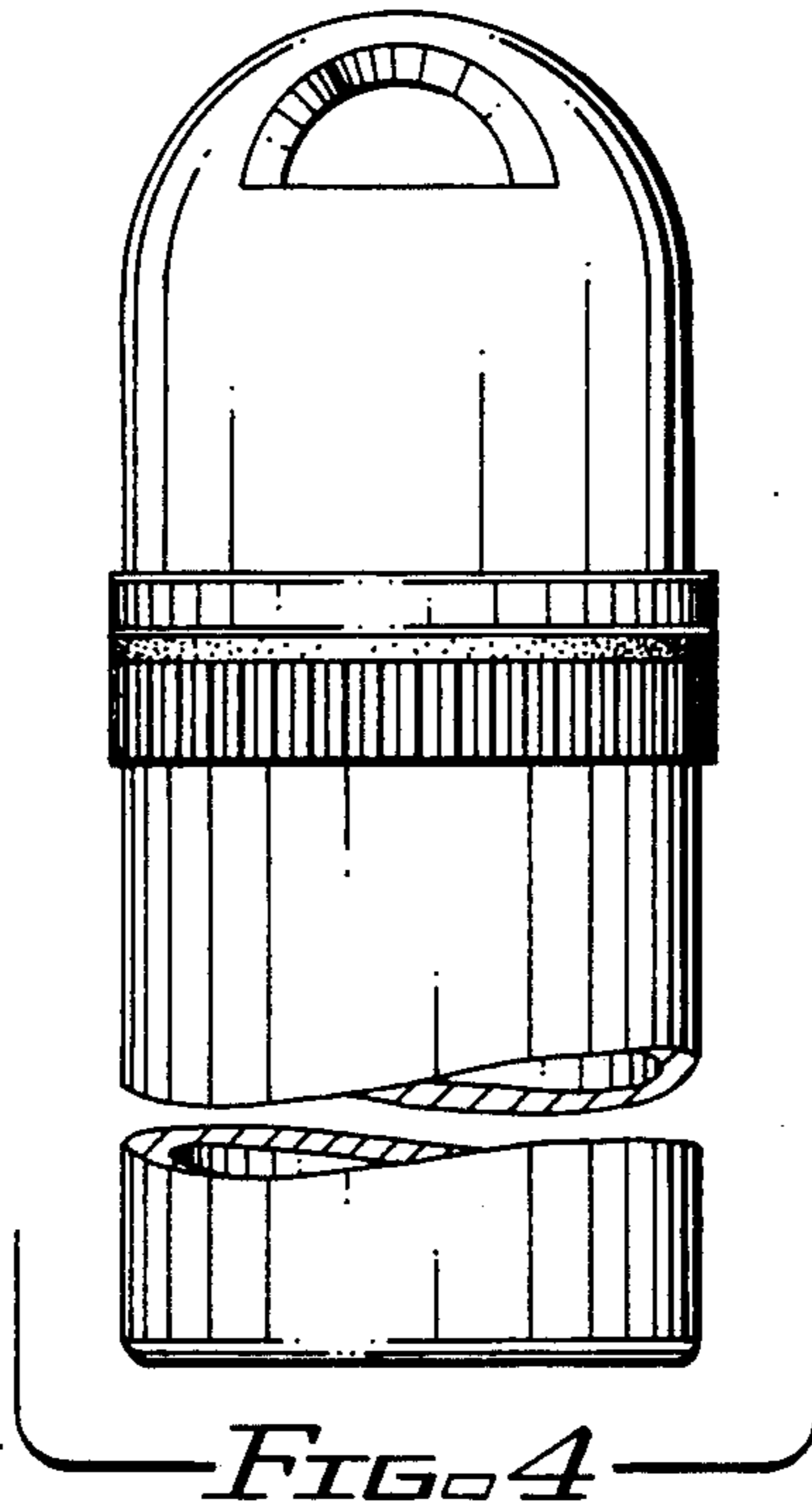


FIG. 4

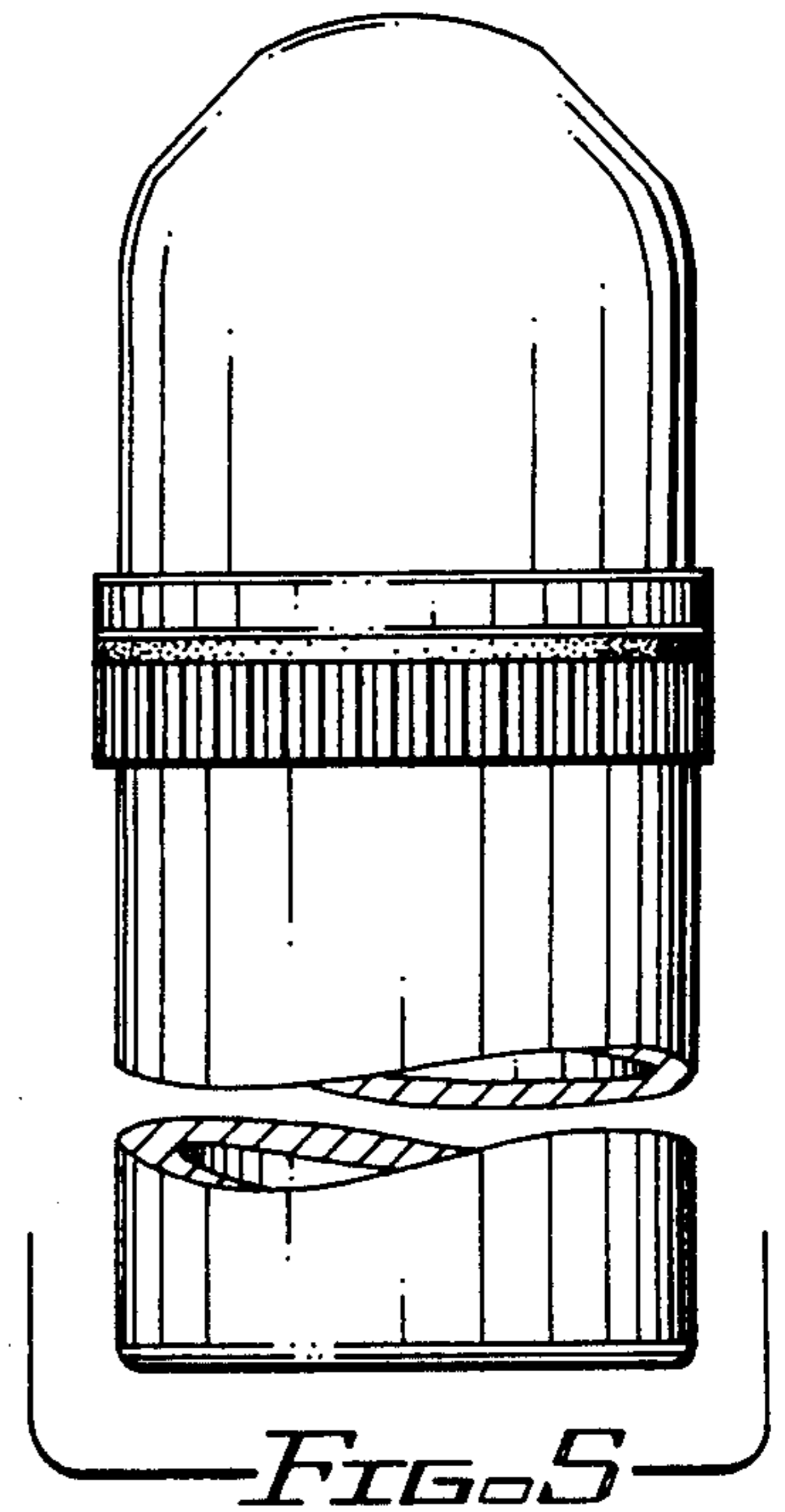


FIG. 5

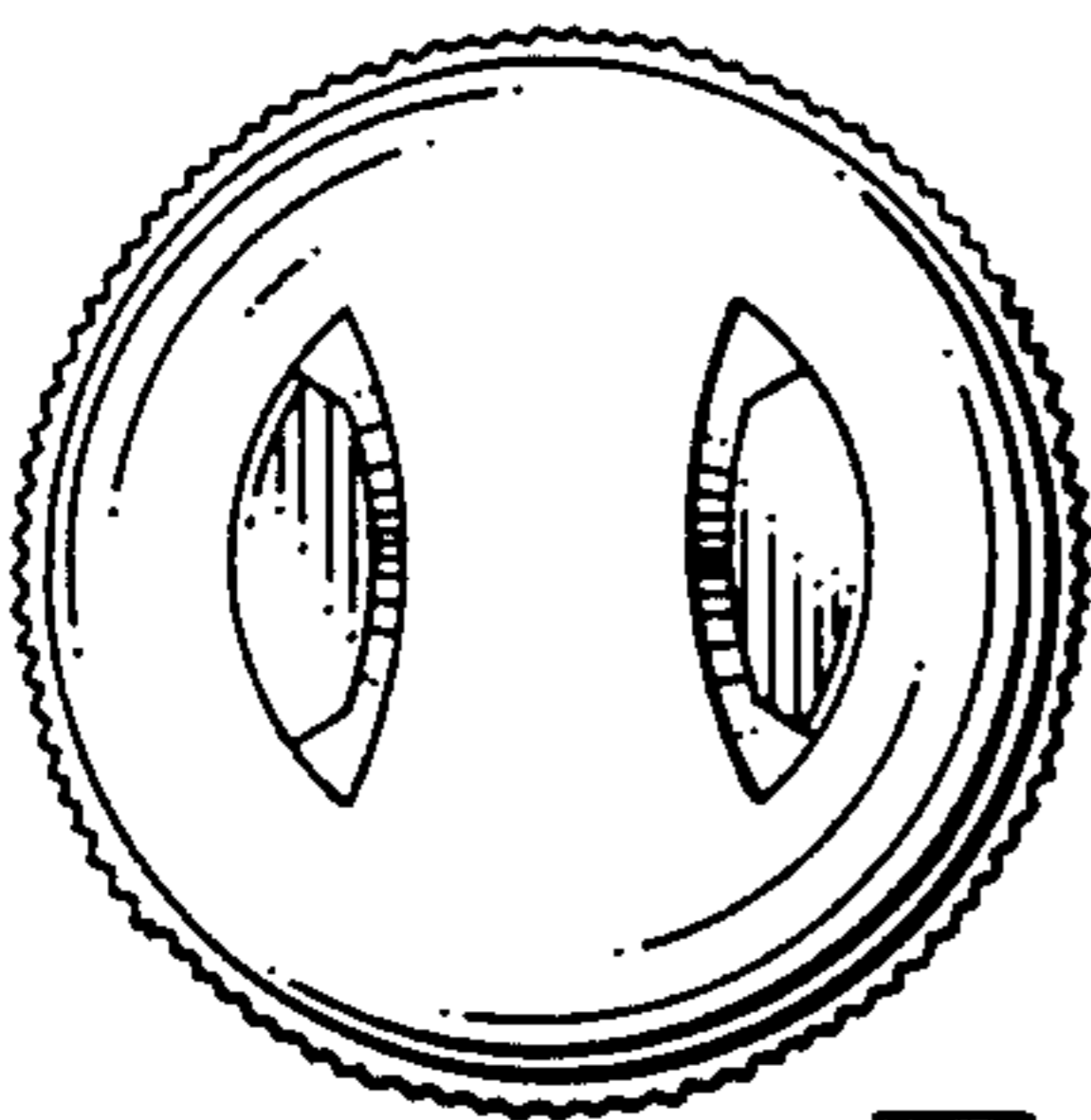


FIG. 2

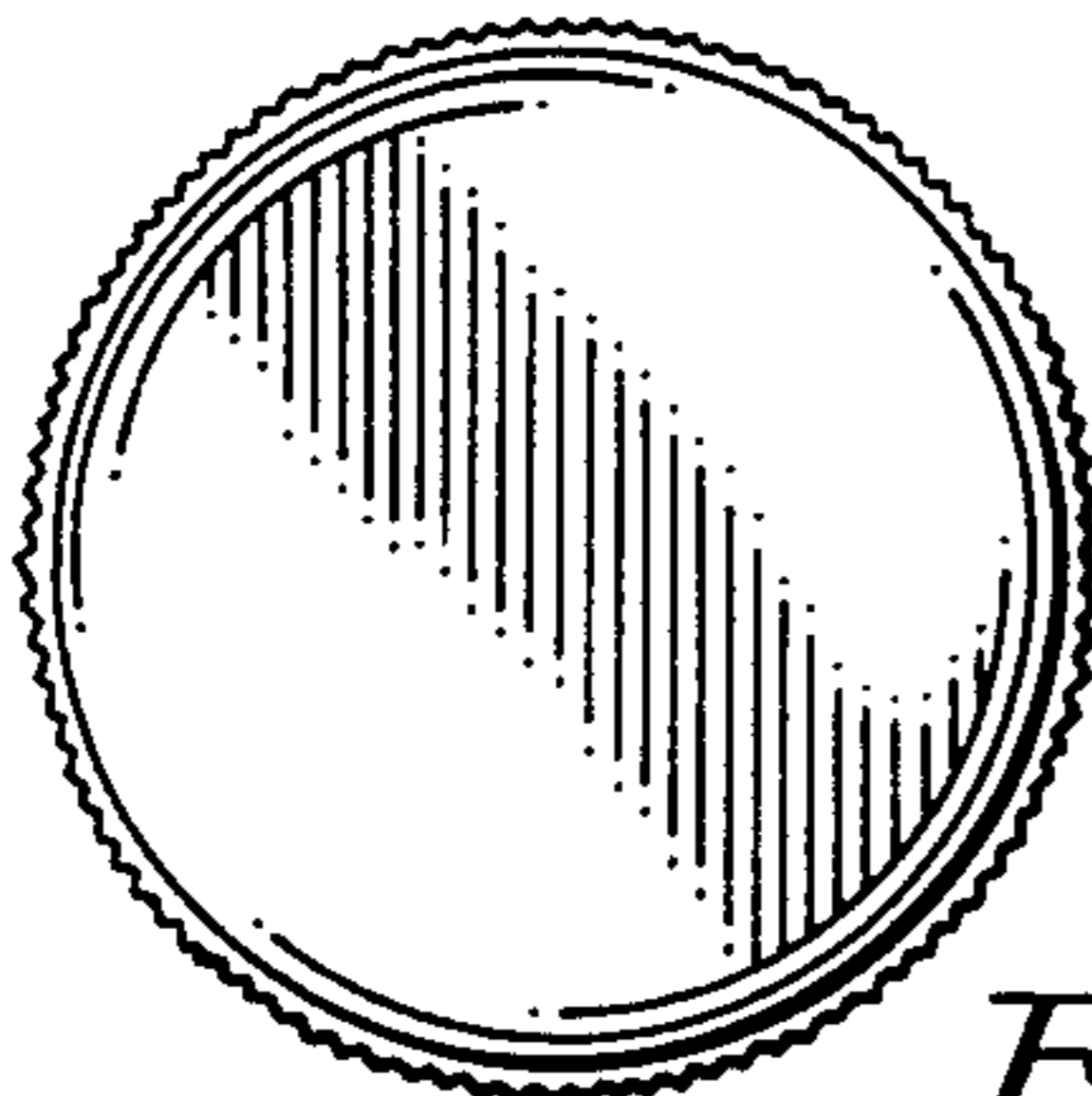


FIG. 3

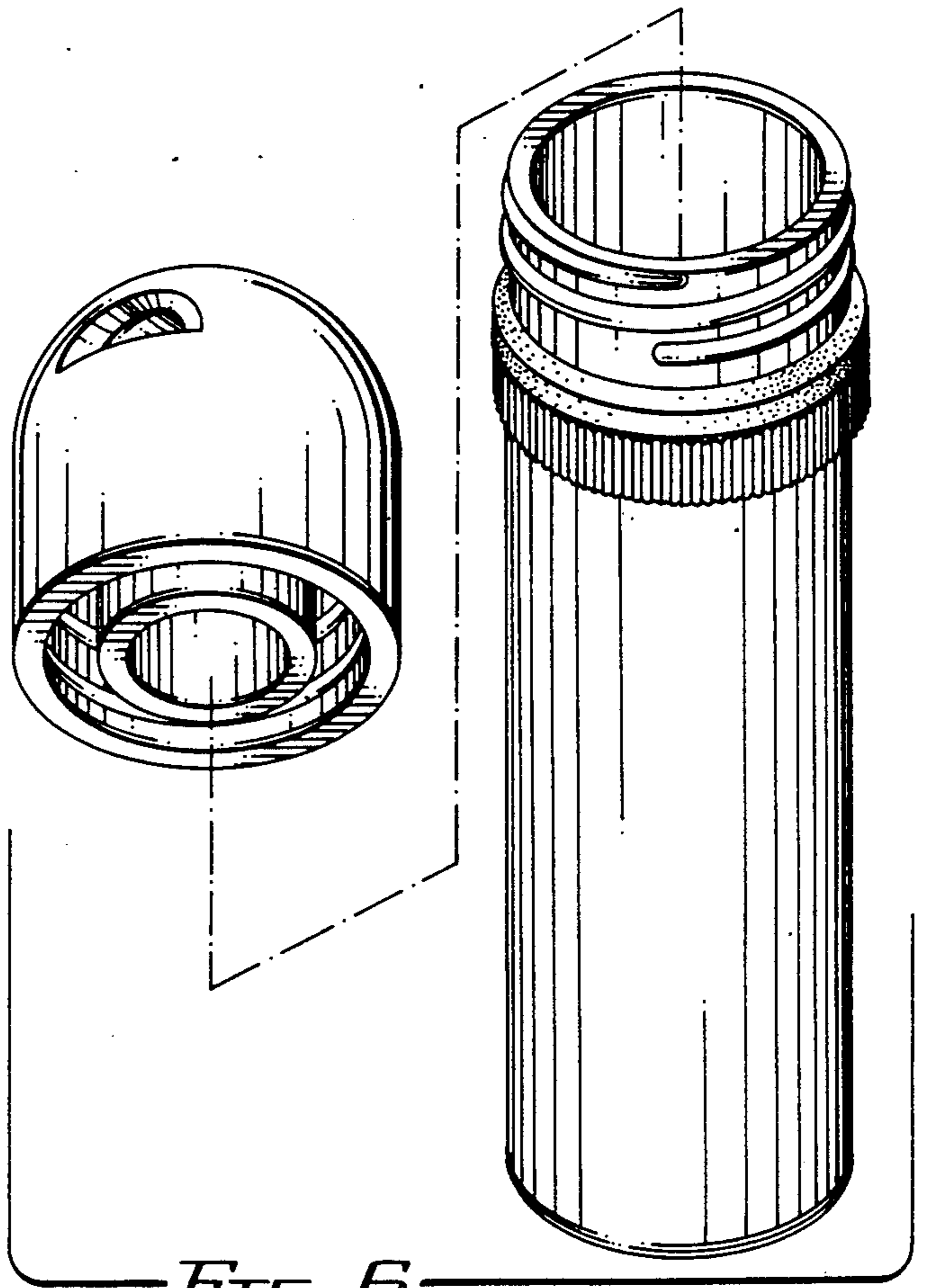


FIG. 6