

[54] HEADLIGHT FOR RUNNERS OR THE LIKE

[76] Inventor: Vernon L. Smith, 27230 Red River, Lathrup Village, Mich. 48076

[**] Term: 14 Years

[21] Appl. No.: 354,671

[22] Filed: May 22, 1989

[52] U.S. Cl. D26/39

[58] Field of Search D26/37-50; 362/157, 158, 183-208, 103, 104, 105

[56] References Cited

U.S. PATENT DOCUMENTS

D. 235,574	6/1975	Willis et al.	D26/39
2,234,995	4/1939	Waechter .	
3,032,647	5/1962	Wansky et al.	372/191
3,665,451	5/1972	Keith .	
3,906,216	9/1975	Eriksson	362/105
3,947,676	3/1976	Battilana et al. .	
4,298,913	11/1981	Lozar .	

4,631,644 12/1986 Dannhauer .

Primary Examiner—Susan J. Lucas
Attorney, Agent, or Firm—Basile and Hanlon

[57] CLAIM

The ornamental design for a headlight for runners or the like, as shown and described.

DESCRIPTION

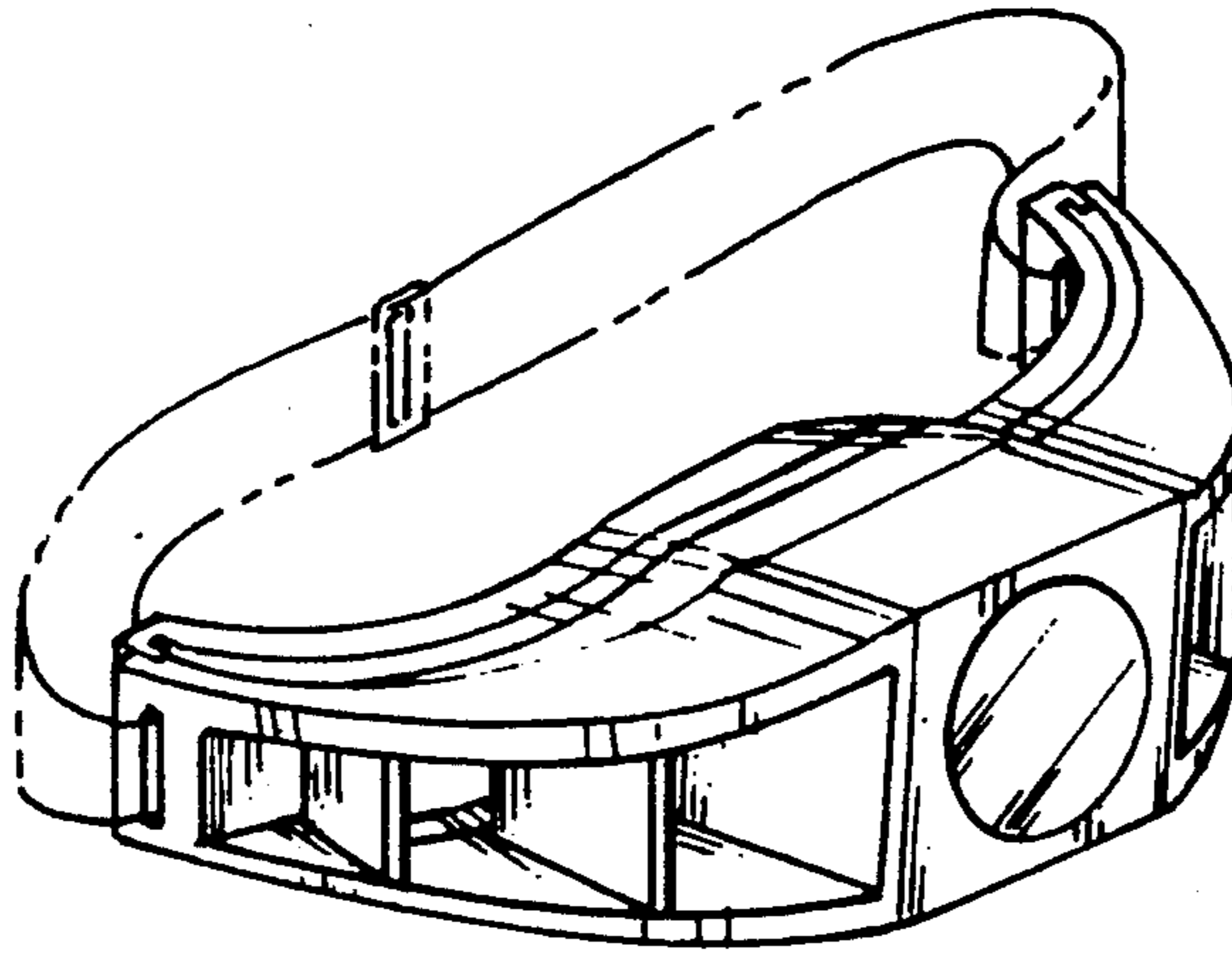
FIG. 1 is a top, front, left side perspective view of a headlight for runners or the like showing my new design, the headstrap being shown in broken lines for illustrative purposes only;

FIG. 2 is a top plan view thereof on an enlarged scale; FIG. 3 is a front elevational view thereof on an enlarged scale;

FIG. 4 is a bottom plan view thereof on an enlarged scale;

FIG. 5 is a rear elevational view thereof on an enlarged scale;

FIG. 6 is a left side elevational view thereof on an enlarged scale, the right side being a mirror image.



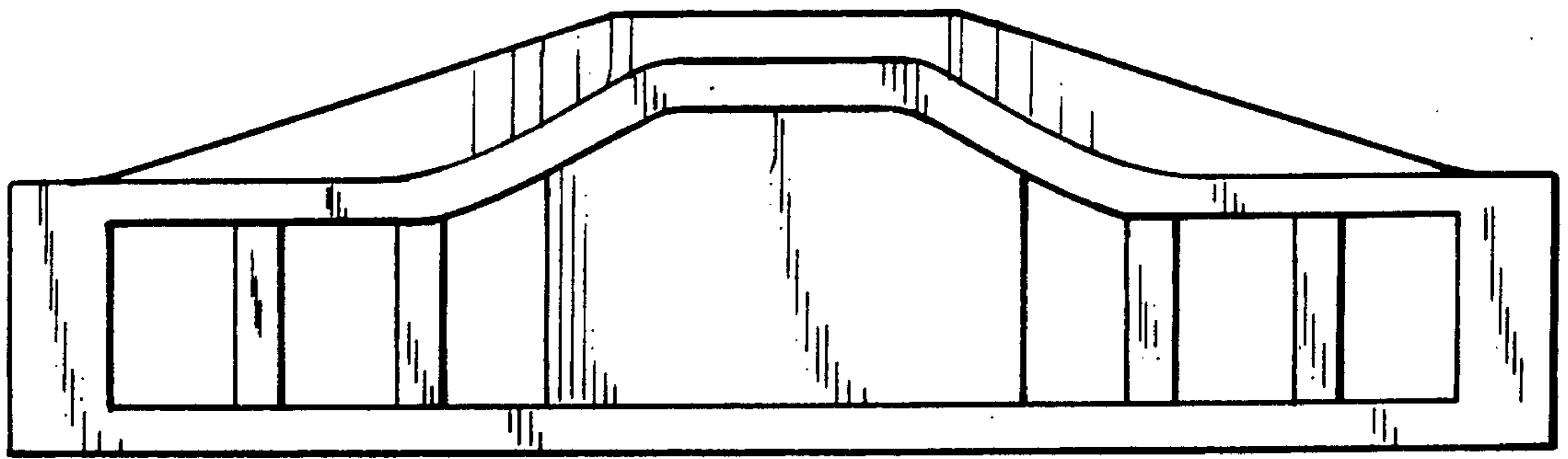


FIG - 5

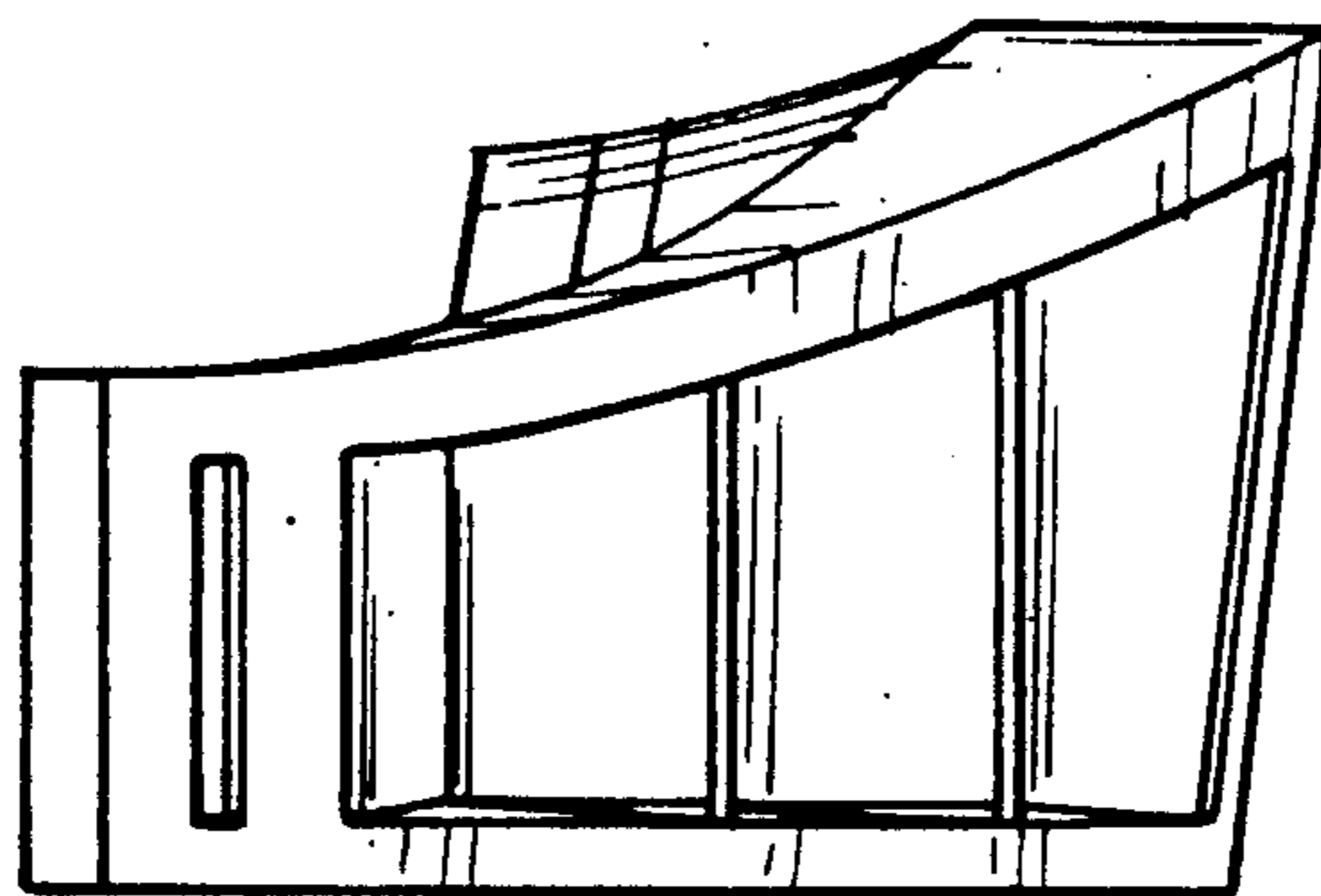


FIG - 6

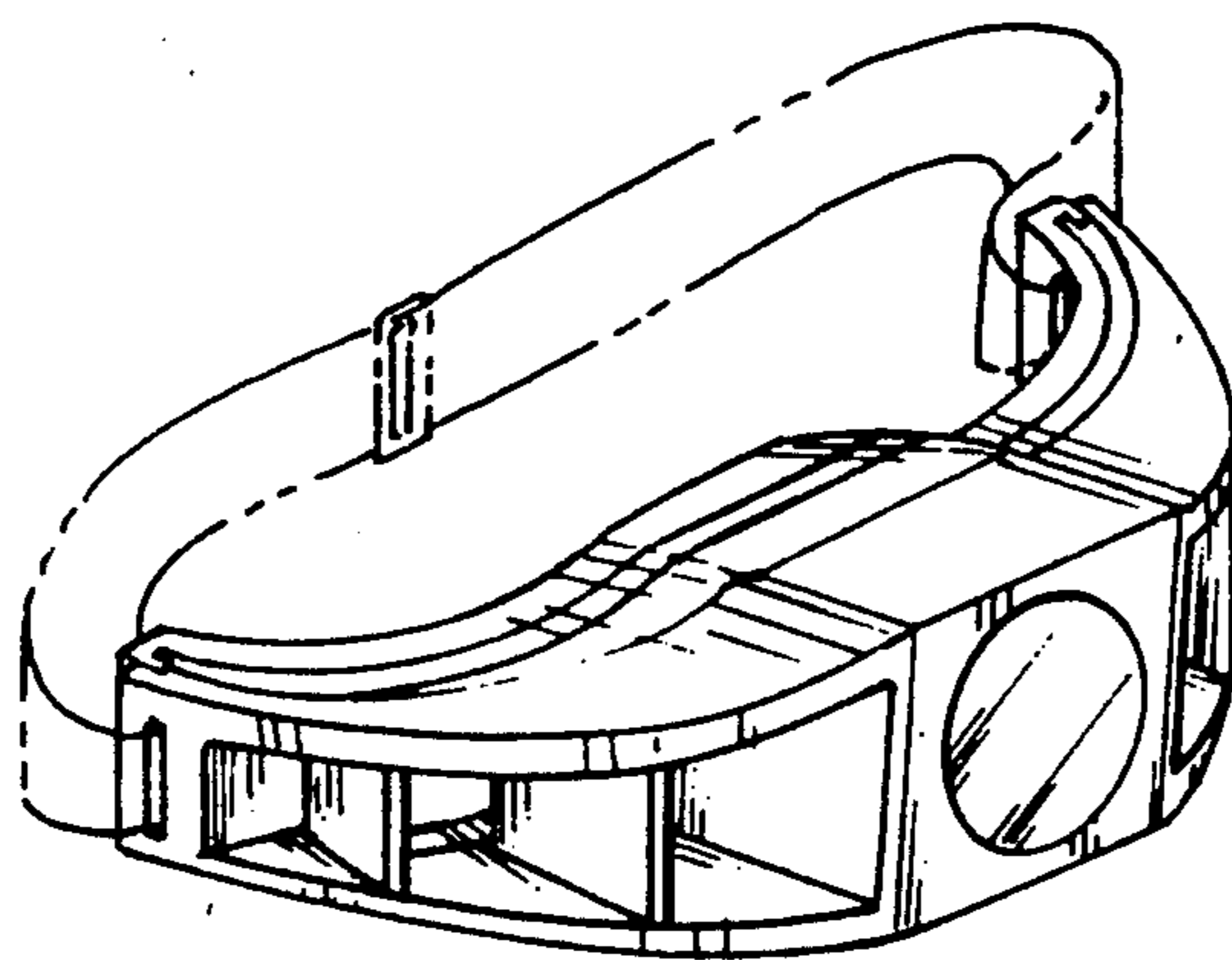


FIG - 1

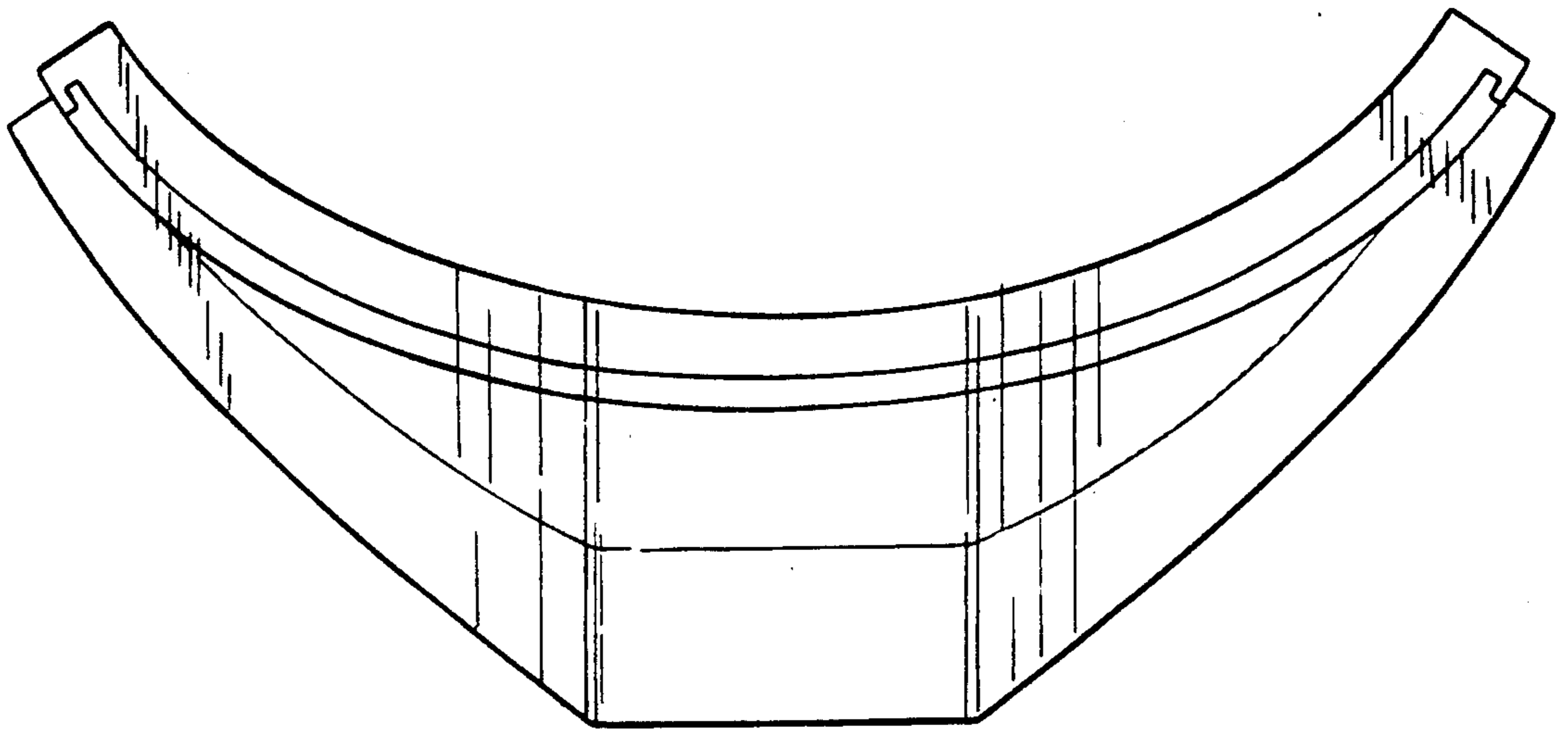


FIG-2

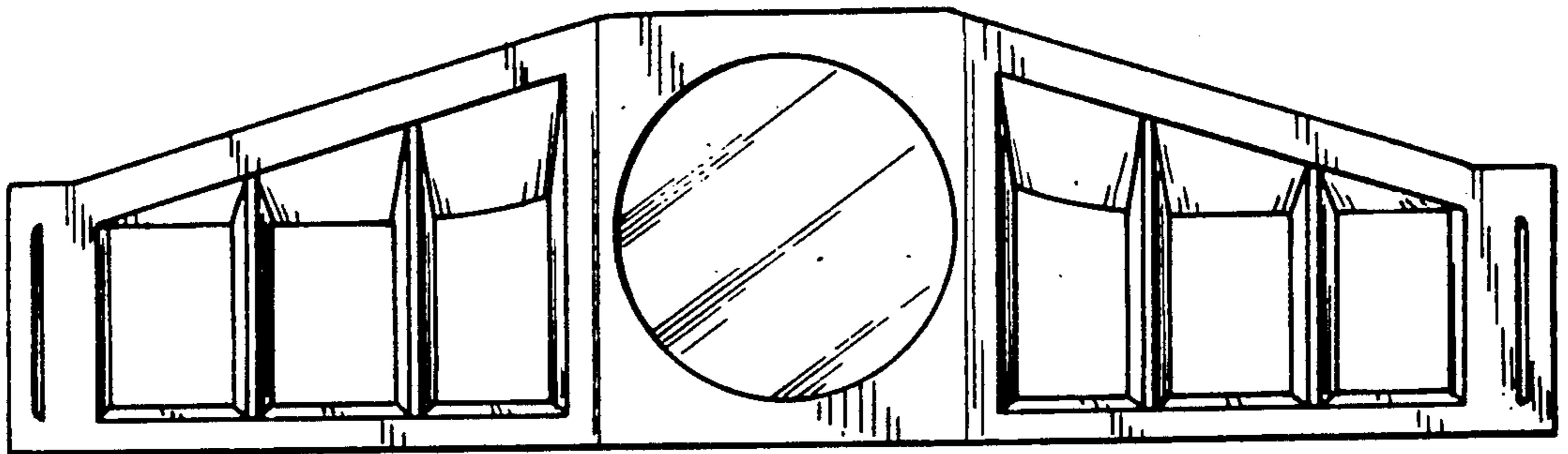


FIG-3

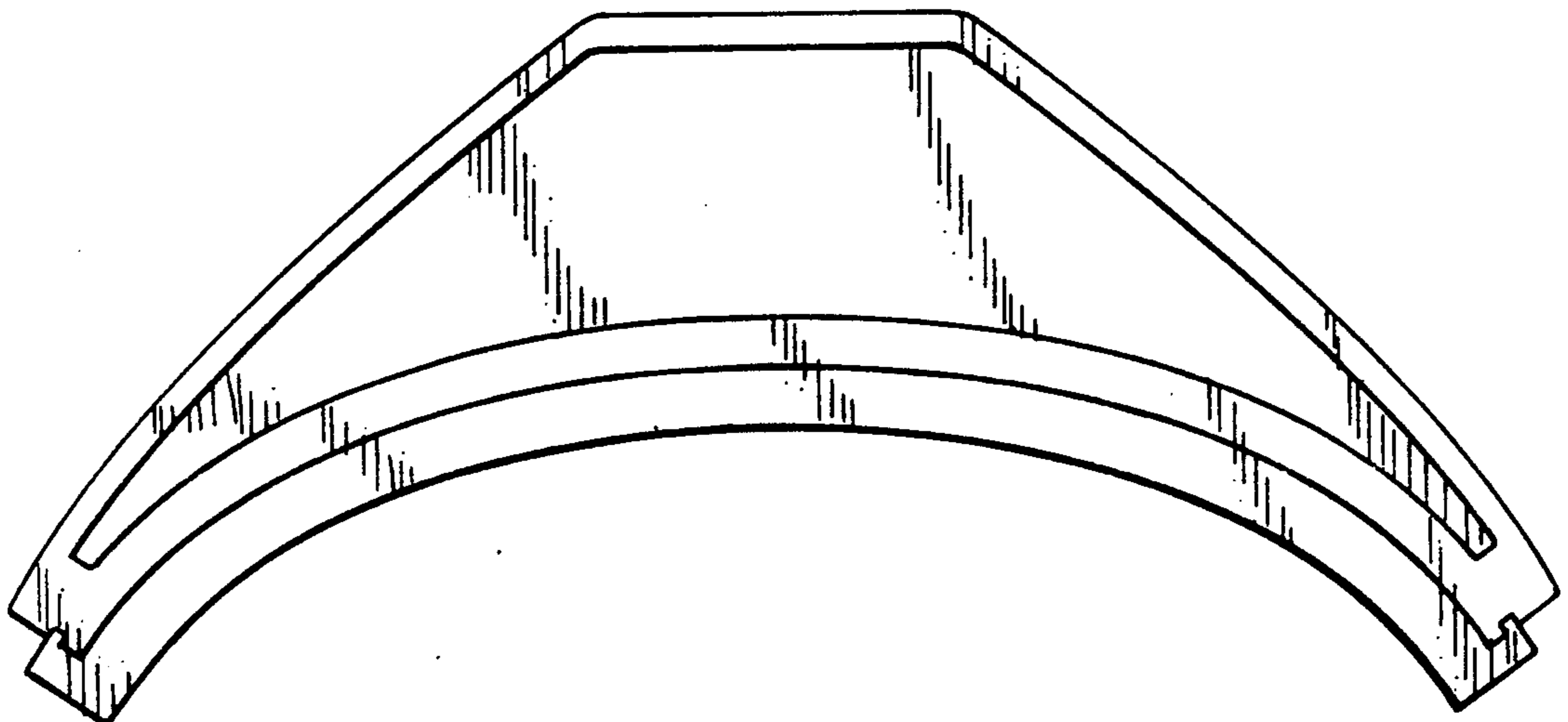


FIG-4