

[54] SWIMMING POOL

DESCRIPTION

[76] Inventor: Richard B. Dempsey, 49 W. 24th St., New York, N.Y. 10010

[**] Term: 14 Years

[21] Appl. No.: 388,135

[22] Filed: Aug. 1, 1989

[52] U.S. Cl. D25/2

[58] Field of Search D25/2; D24/38; D23/277, D23/280, 287; 52/169.7, 169.8, 169.9; 4/506, 513, 488-489, 538, 355, 584, 541-542, 490

[56] References Cited

U.S. PATENT DOCUMENTS

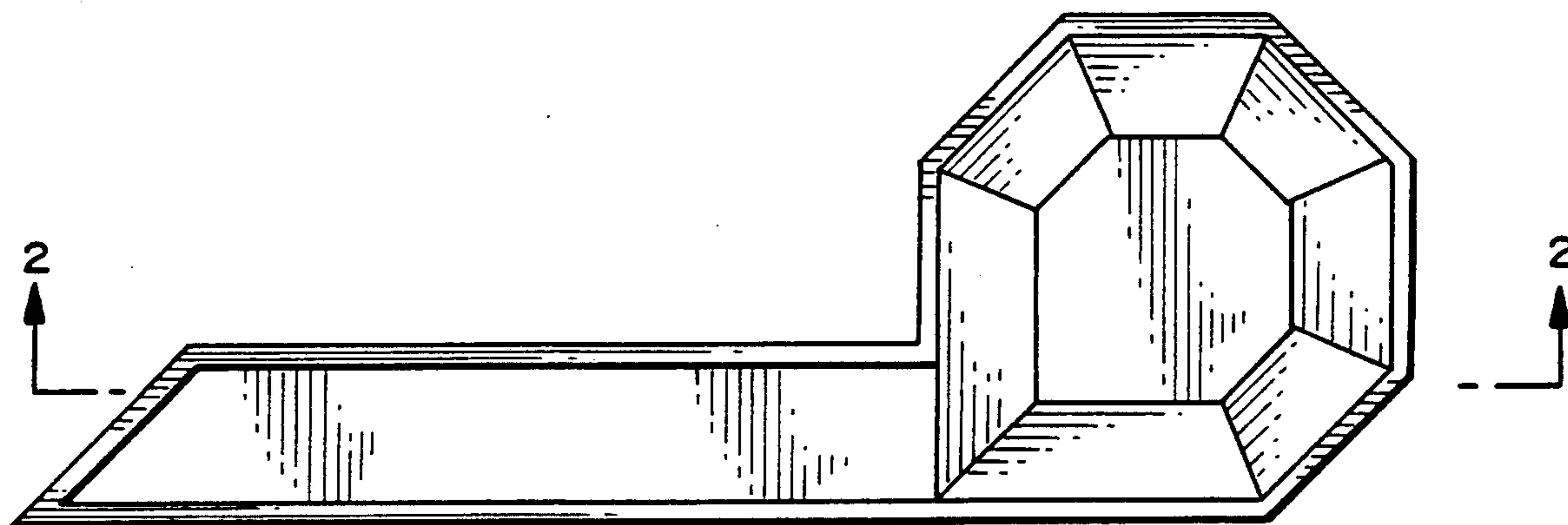
D. 234,051	1/1975	Fontana	D25/2
D. 234,503	3/1975	Ahrens	D25/2
D. 244,939	7/1977	Harman	D25/2
D. 257,591	12/1980	Brown	D25/2
D. 281,198	10/1985	Hansen	D24/38
D. 294,389	2/1988	Brodeur et al.	D24/38
D. 300,247	3/1989	Eckert et al.	D25/2
4,306,394	12/1981	Blakeway	52/169.7
4,339,833	7/1982	Mandell	4/542

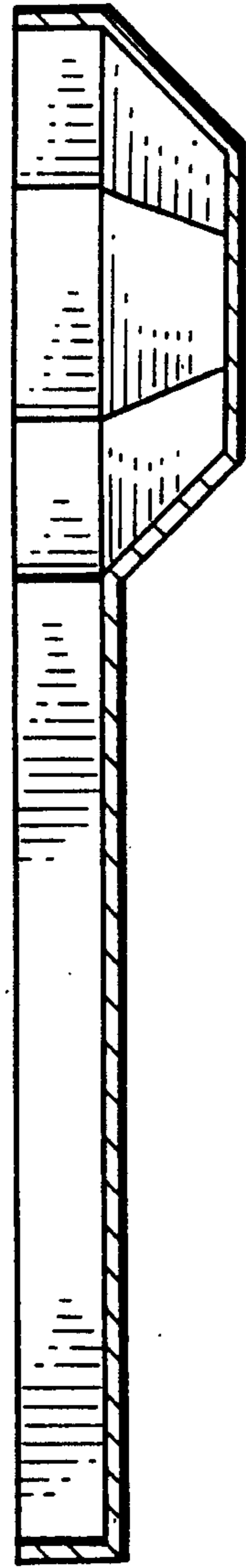
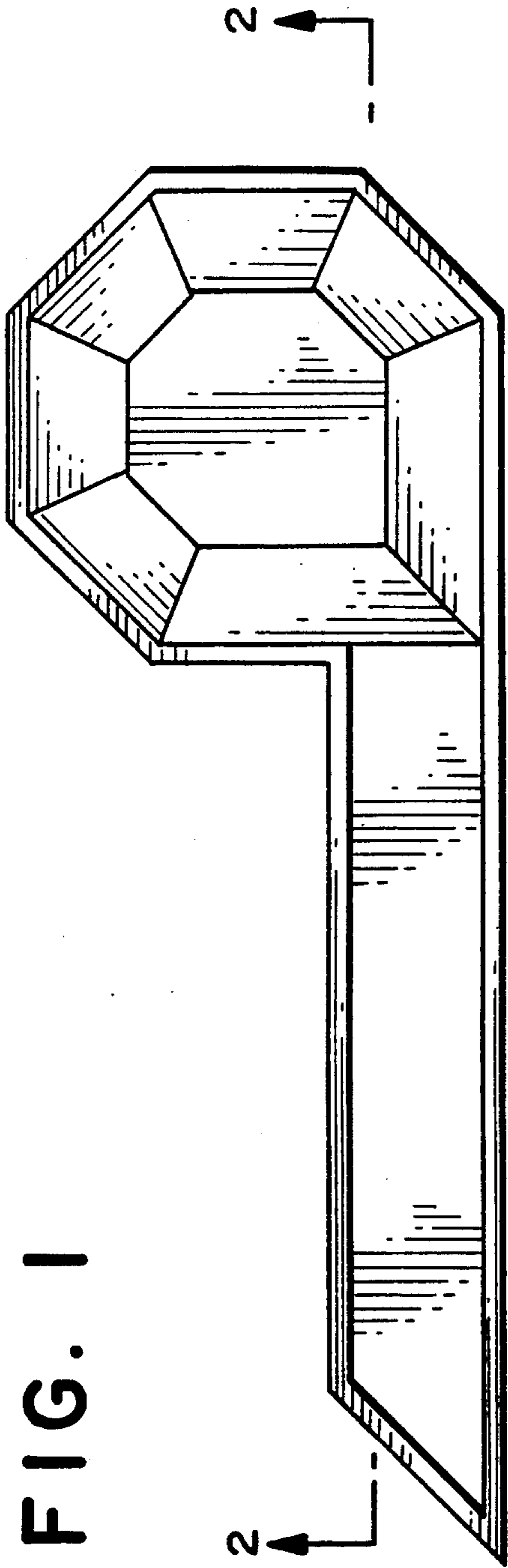
Primary Examiner—A. Hugo Word
Assistant Examiner—Doris V. Coles
Attorney, Agent, or Firm—Leitner, Greene & Christensen

[57] CLAIM

The ornamental design for a swimming pool, as shown and described.

FIG. 1 is a top plan view of a swimming pool, showing my new design;
 FIG. 2 is a cross sectional view taken on line 2—2 in FIG. 1;
 FIG. 3 is a perspective view thereof;
 FIG. 4 is a cross sectional perspective view taken on line 4—4 in FIG. 3;
 FIG. 5 is a top plan view of a second embodiment;
 FIG. 6 is a cross sectional view taken on line 6—6 in FIG. 5;
 FIG. 7 is a perspective view thereof;
 FIG. 8 is a cross sectional perspective view taken on line 8—8 in FIG. 7;
 FIG. 9 is a top plan view of a third embodiment;
 FIG. 10 is a cross sectional view taken on line 10—10 in FIG. 9;
 FIG. 11 is a perspective view thereof;
 FIG. 12 is a cross sectional perspective view taken on line 12—12 in FIG. 11;
 FIG. 13 is a top plan view of a fourth embodiment;
 FIG. 14 is a cross sectional view taken on line 14—14 in FIG. 13;
 FIG. 15 is a perspective view thereof;
 FIG. 16 is a cross sectional perspective view taken on line 16—16 in FIG. 15;
 FIG. 17 is a top plan view of a fifth embodiment;
 FIG. 18 is a cross sectional view taken on line 18—18 in FIG. 17;
 FIG. 19 is a perspective view thereof;
 FIG. 20 is a cross sectional perspective view taken on line 20—20 in FIG. 19;
 FIG. 21 is a top plan view of a sixth embodiment;
 FIG. 22 is a cross sectional view taken on line 22—22 in FIG. 21;
 FIG. 23 is a perspective view thereof; and
 FIG. 24 is a cross sectional perspective view taken on line 24—24 in FIG. 23.





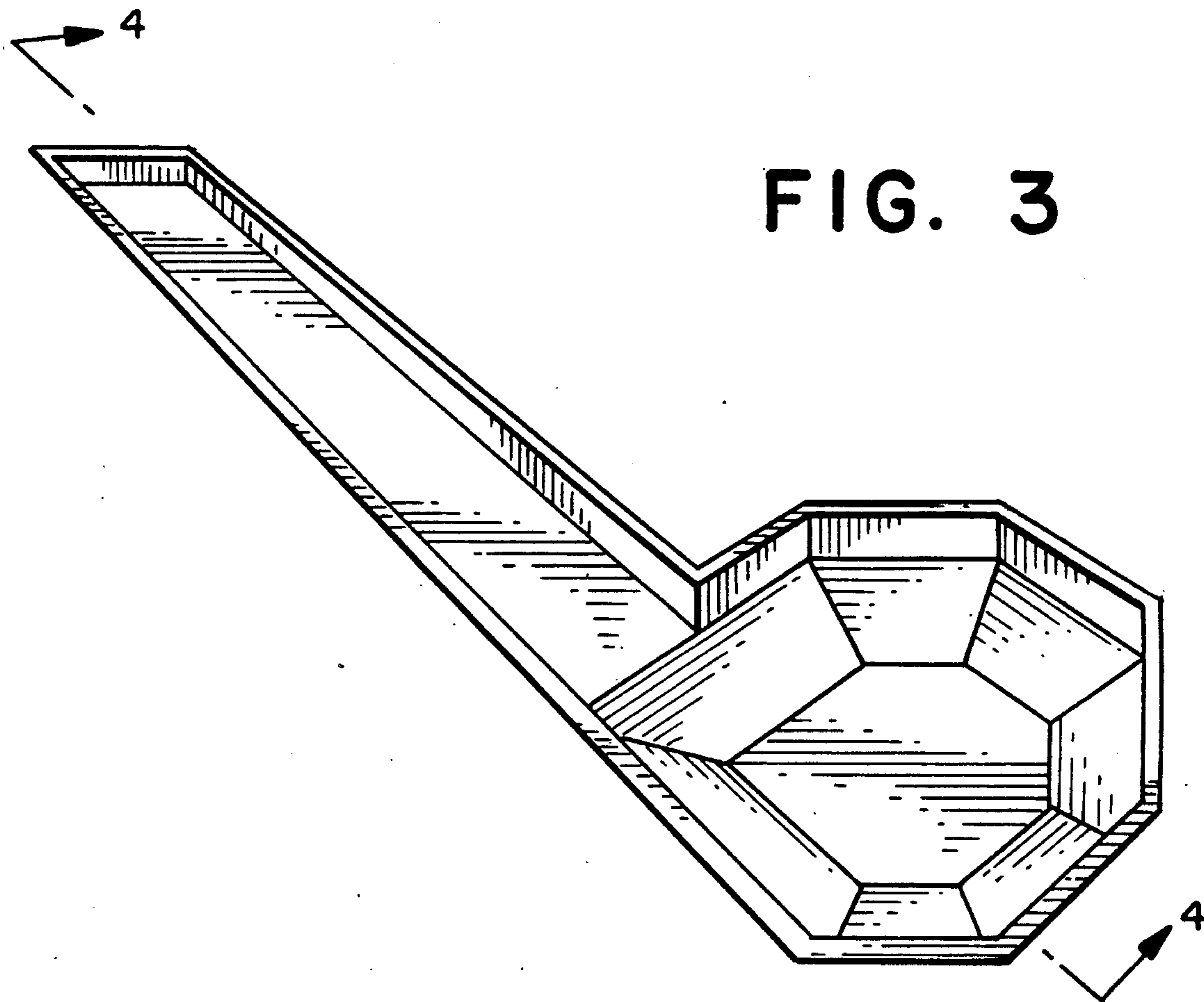


FIG. 3

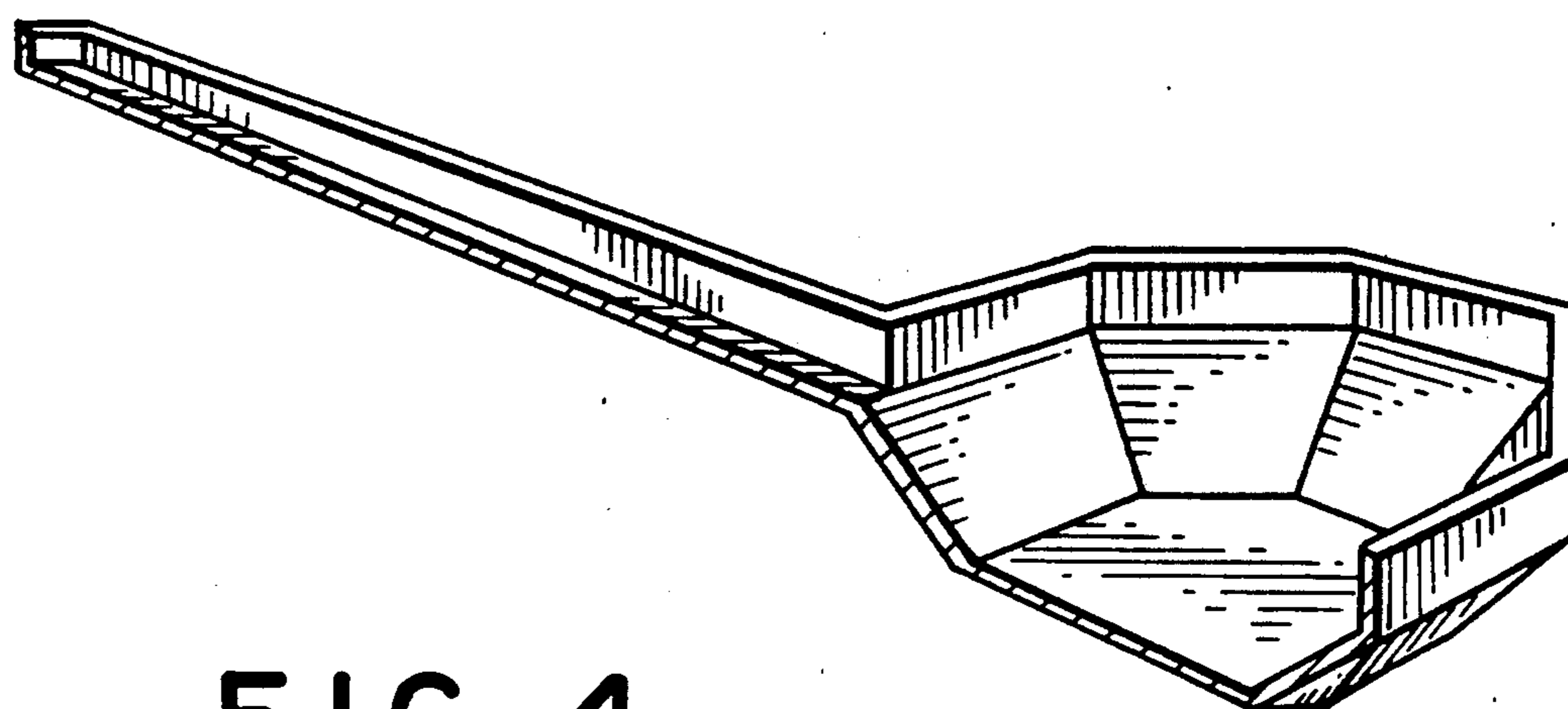


FIG. 4

FIG. 5

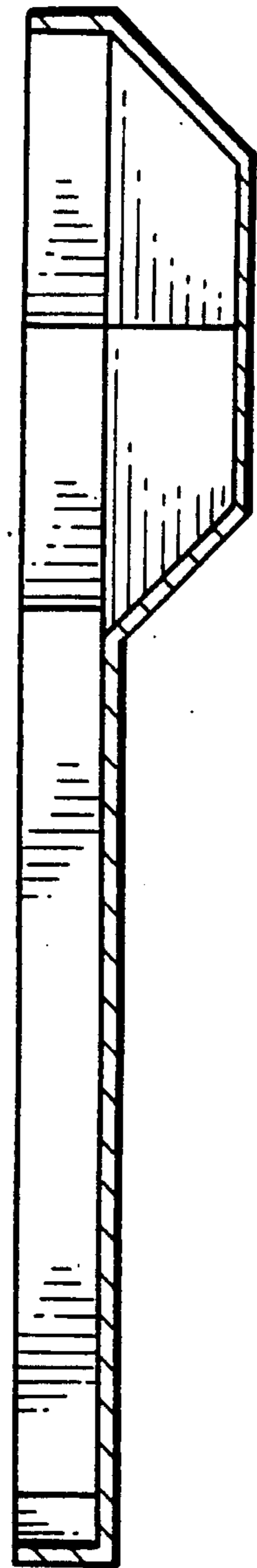
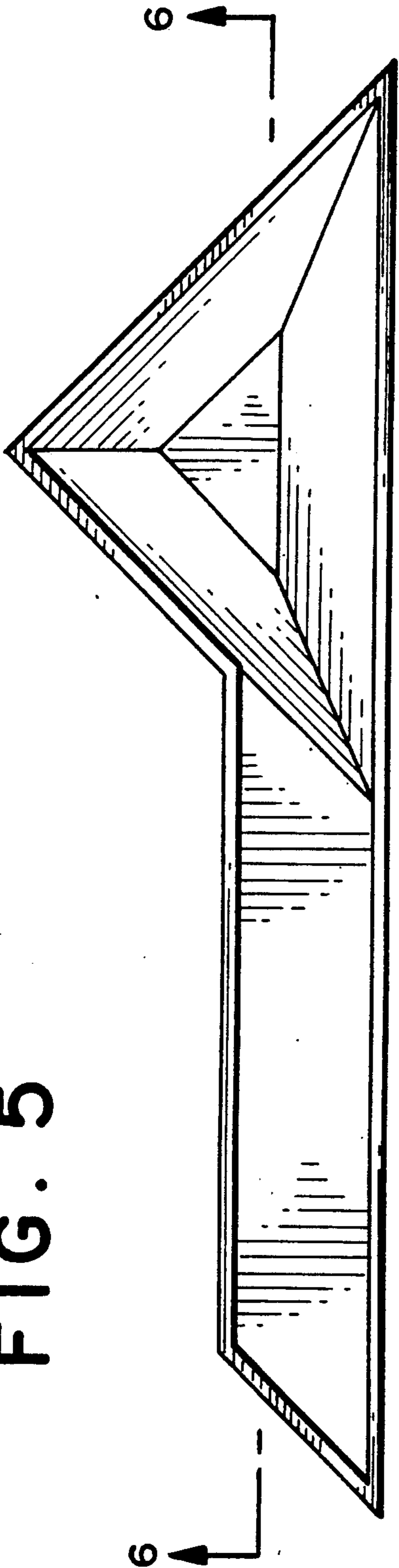
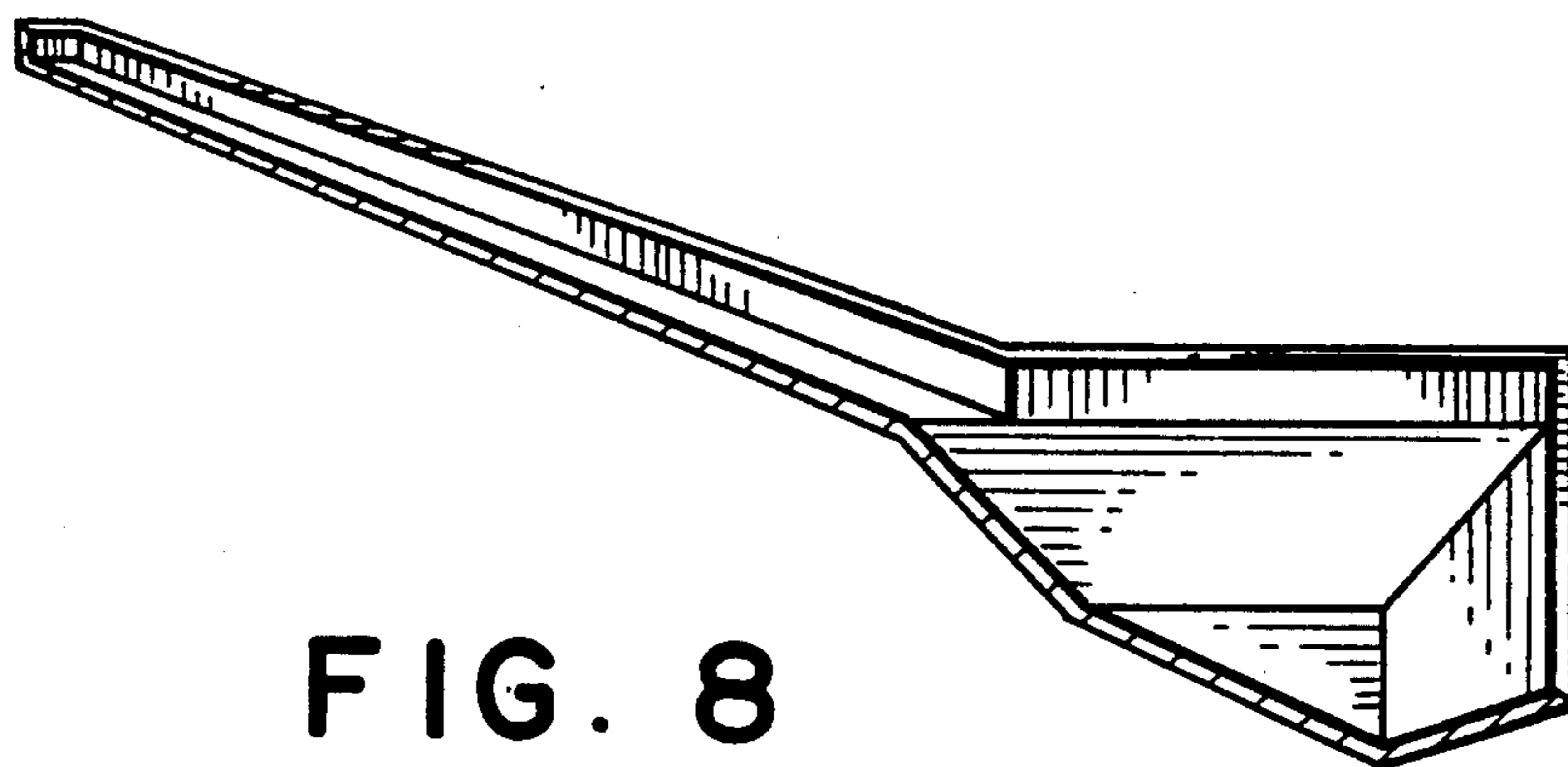
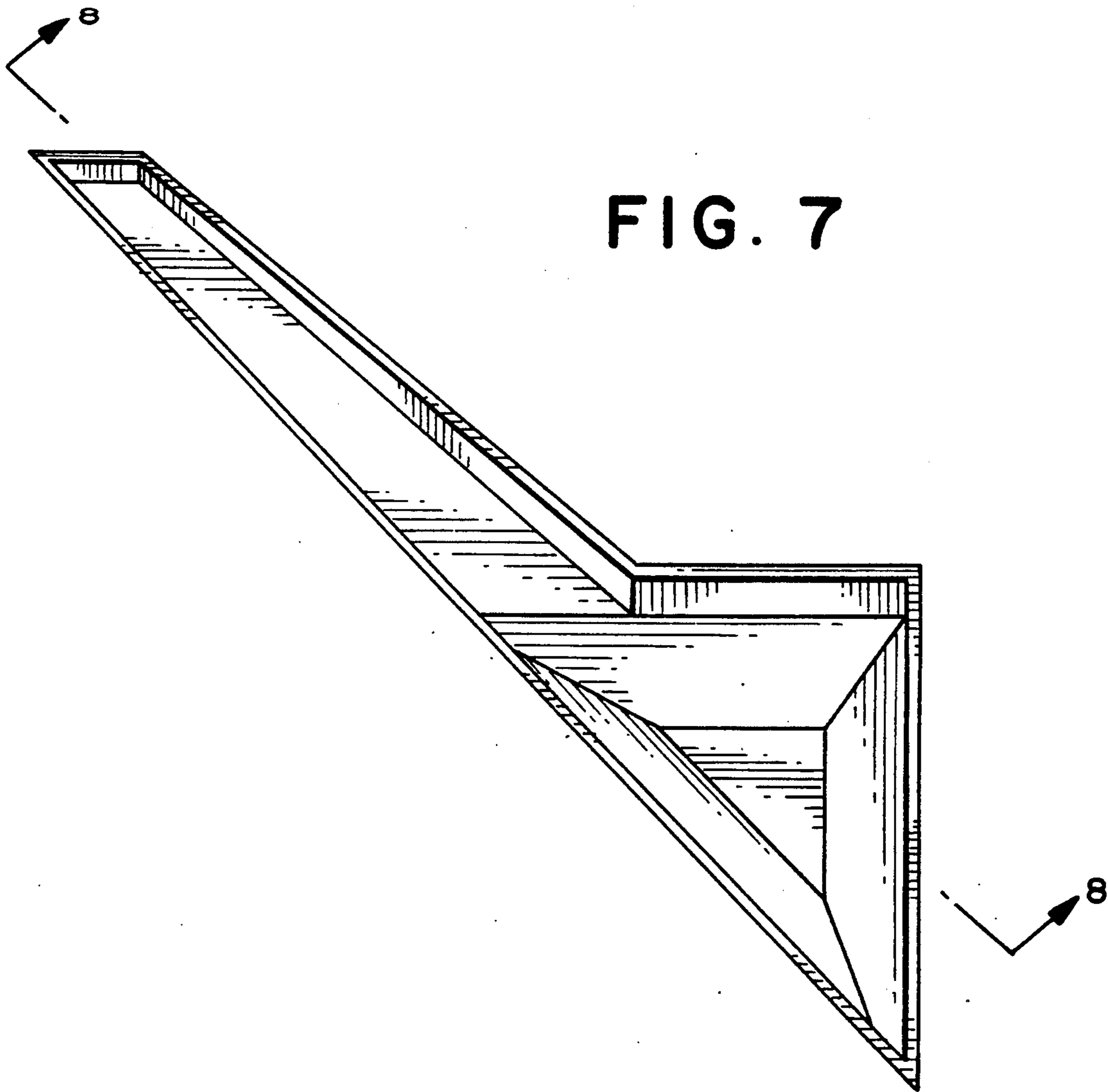


FIG. 6



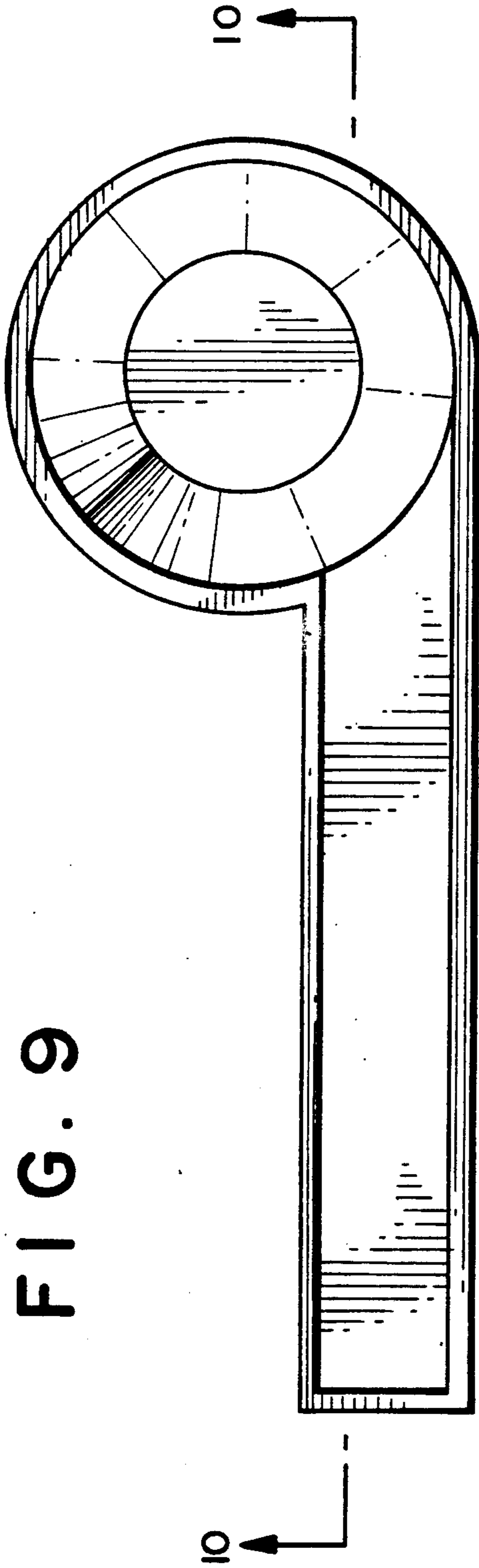


FIG. 9

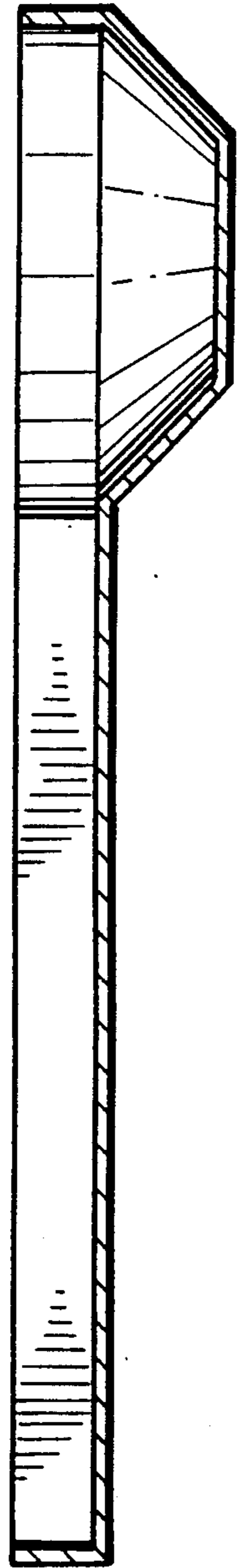
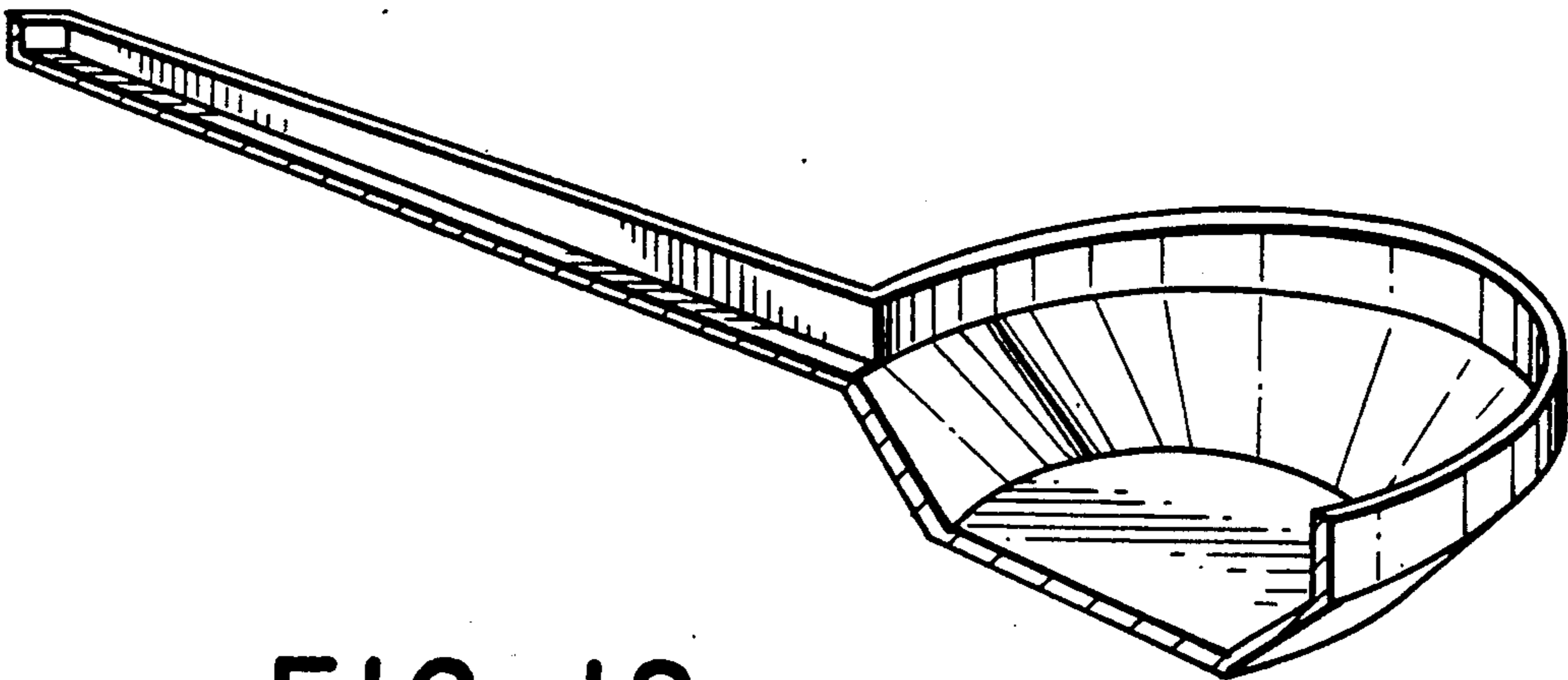
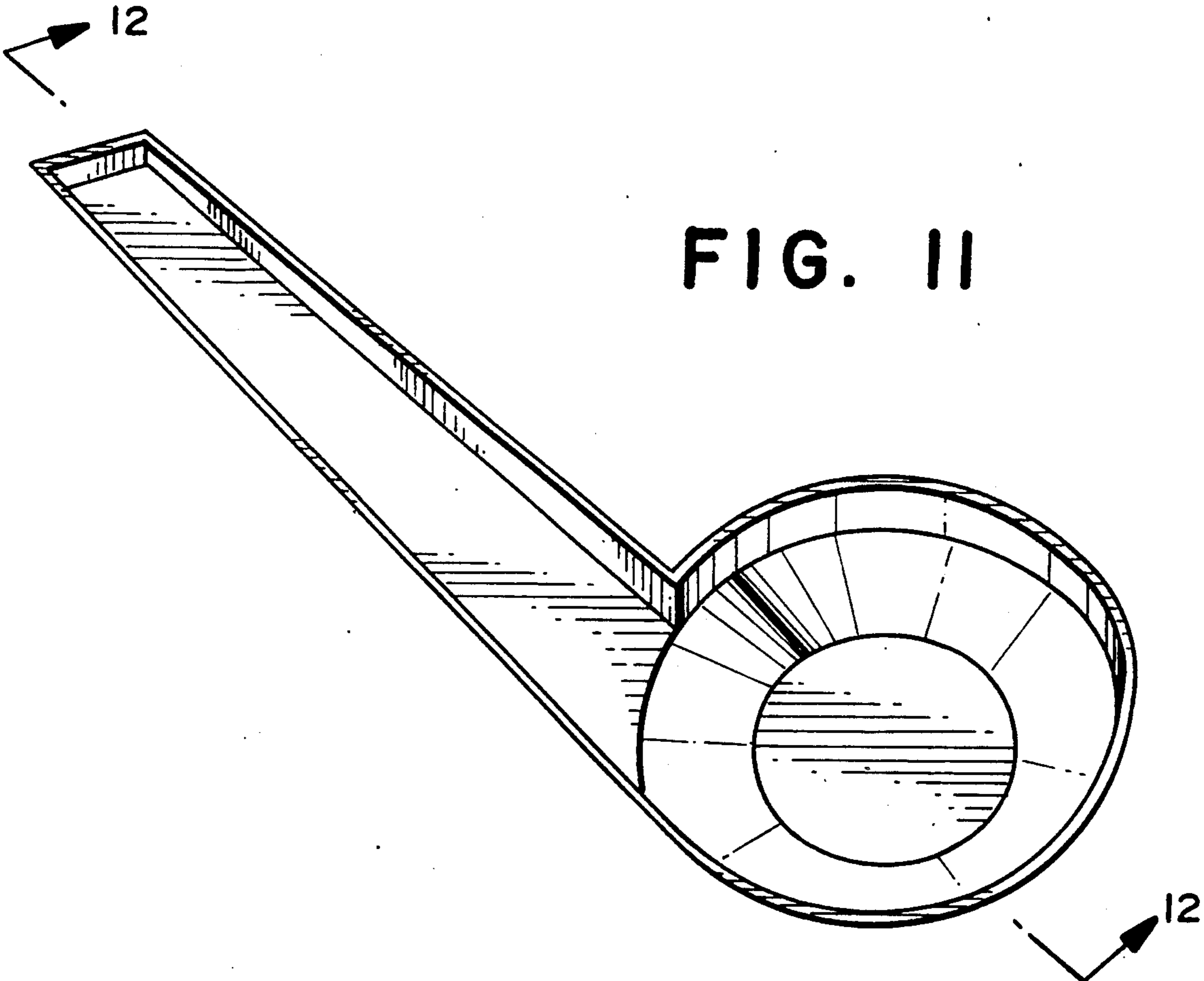


FIG. 10



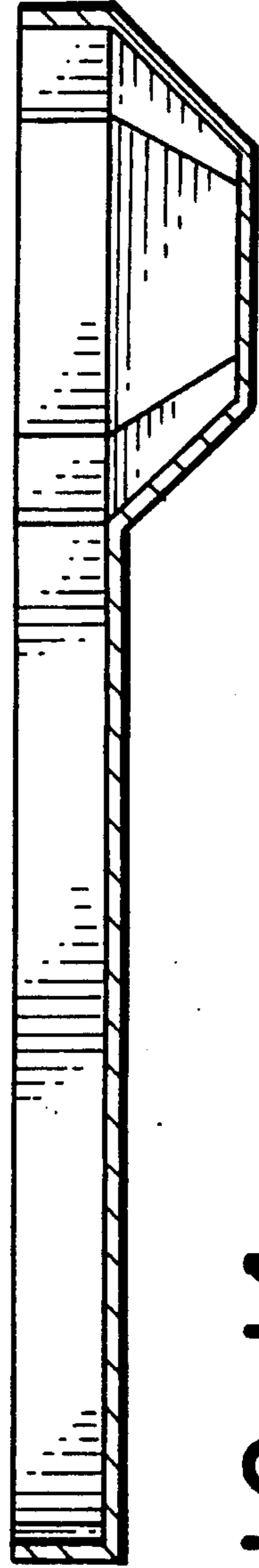
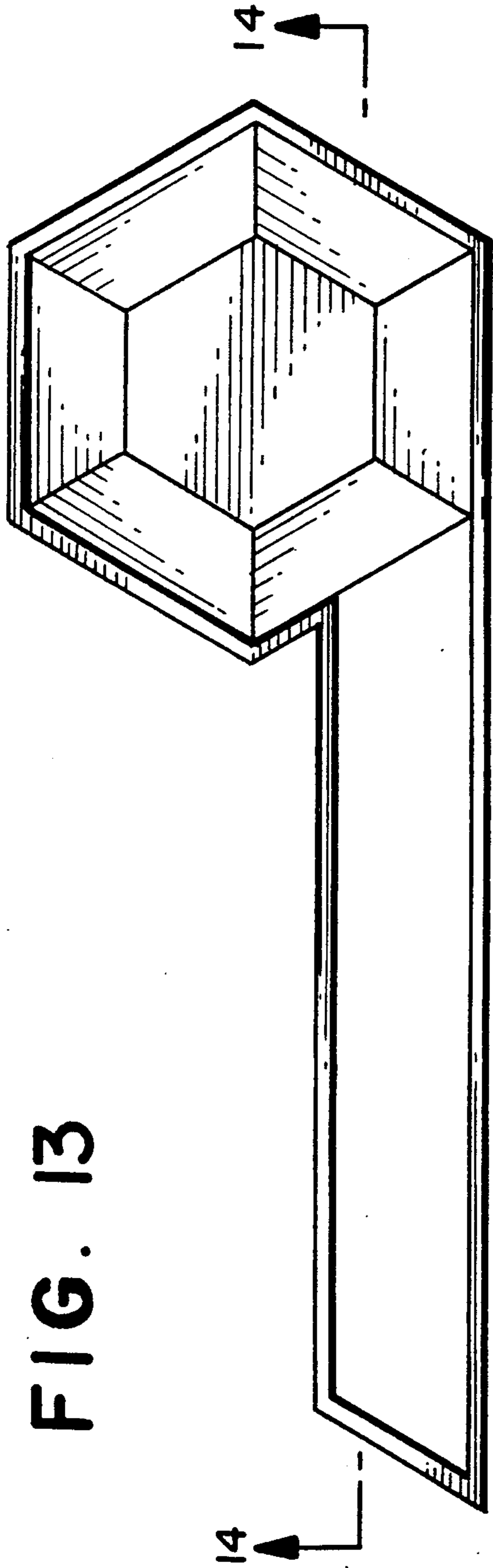
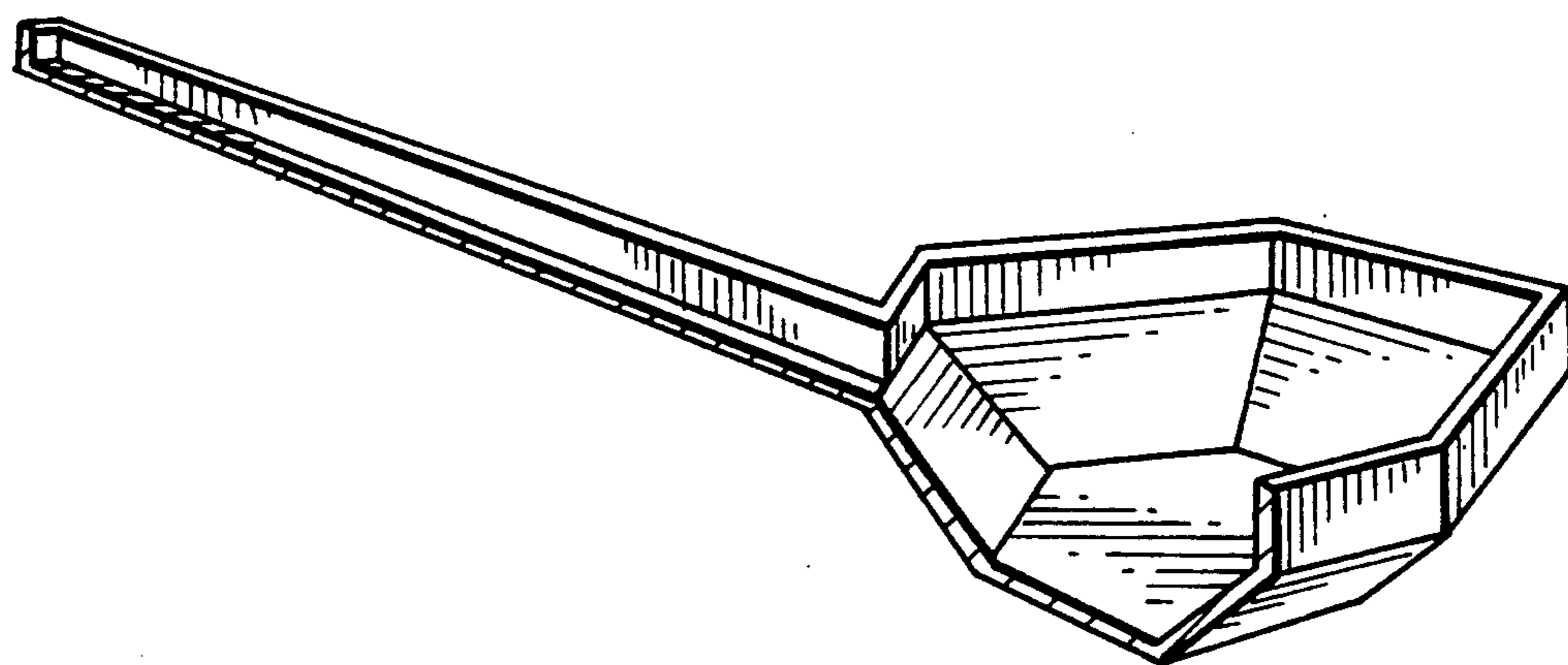
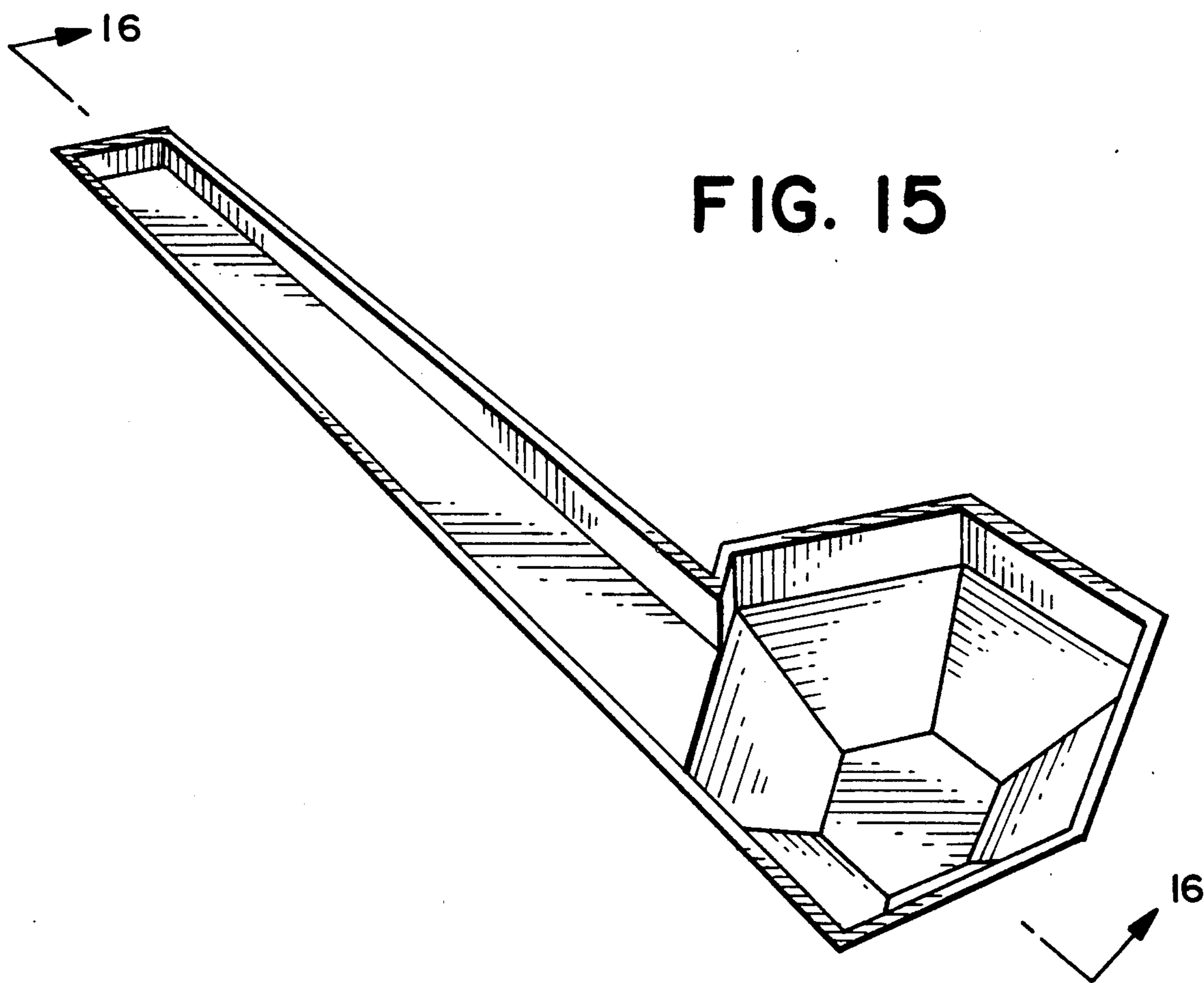
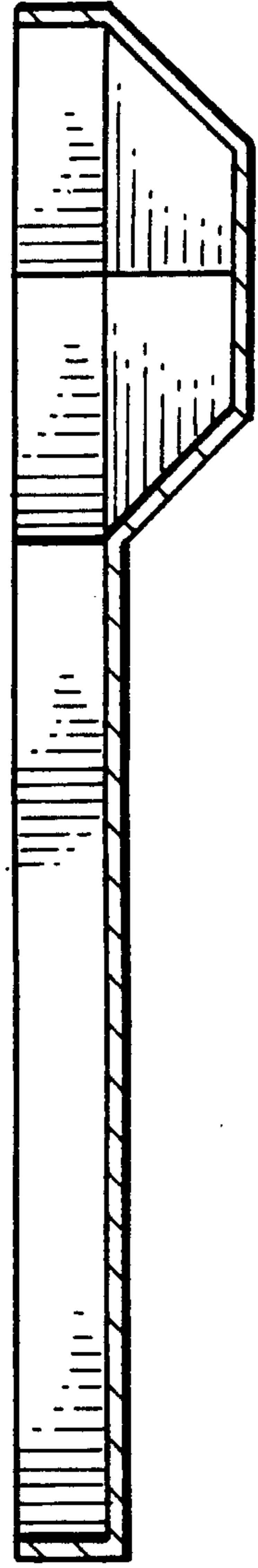
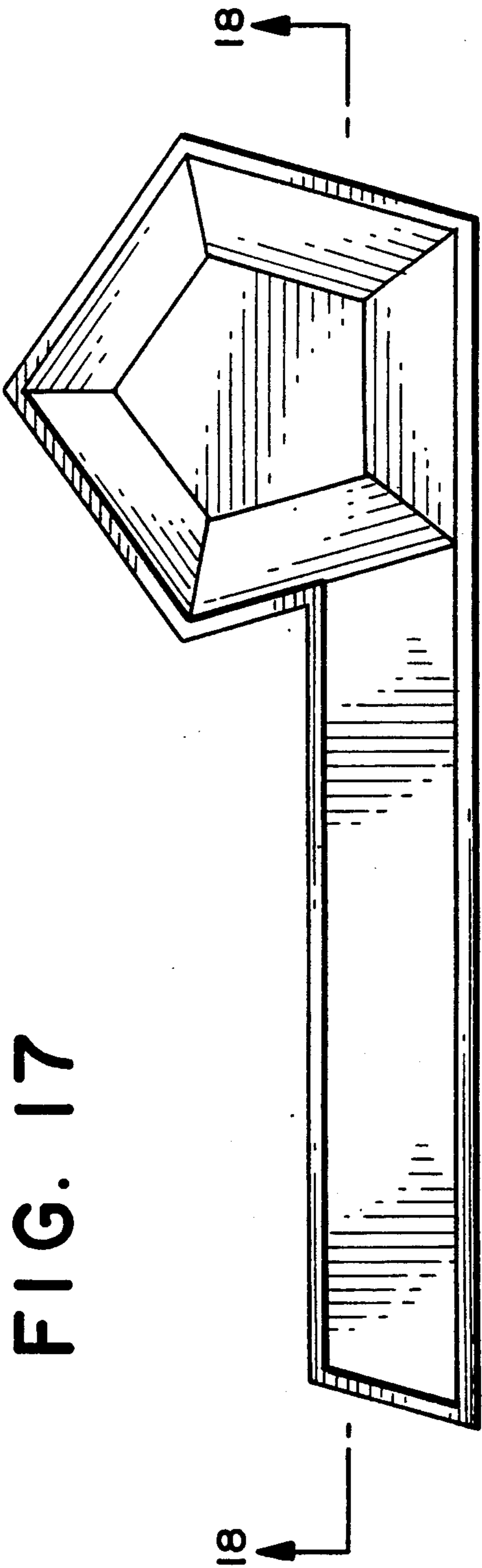


FIG. 14





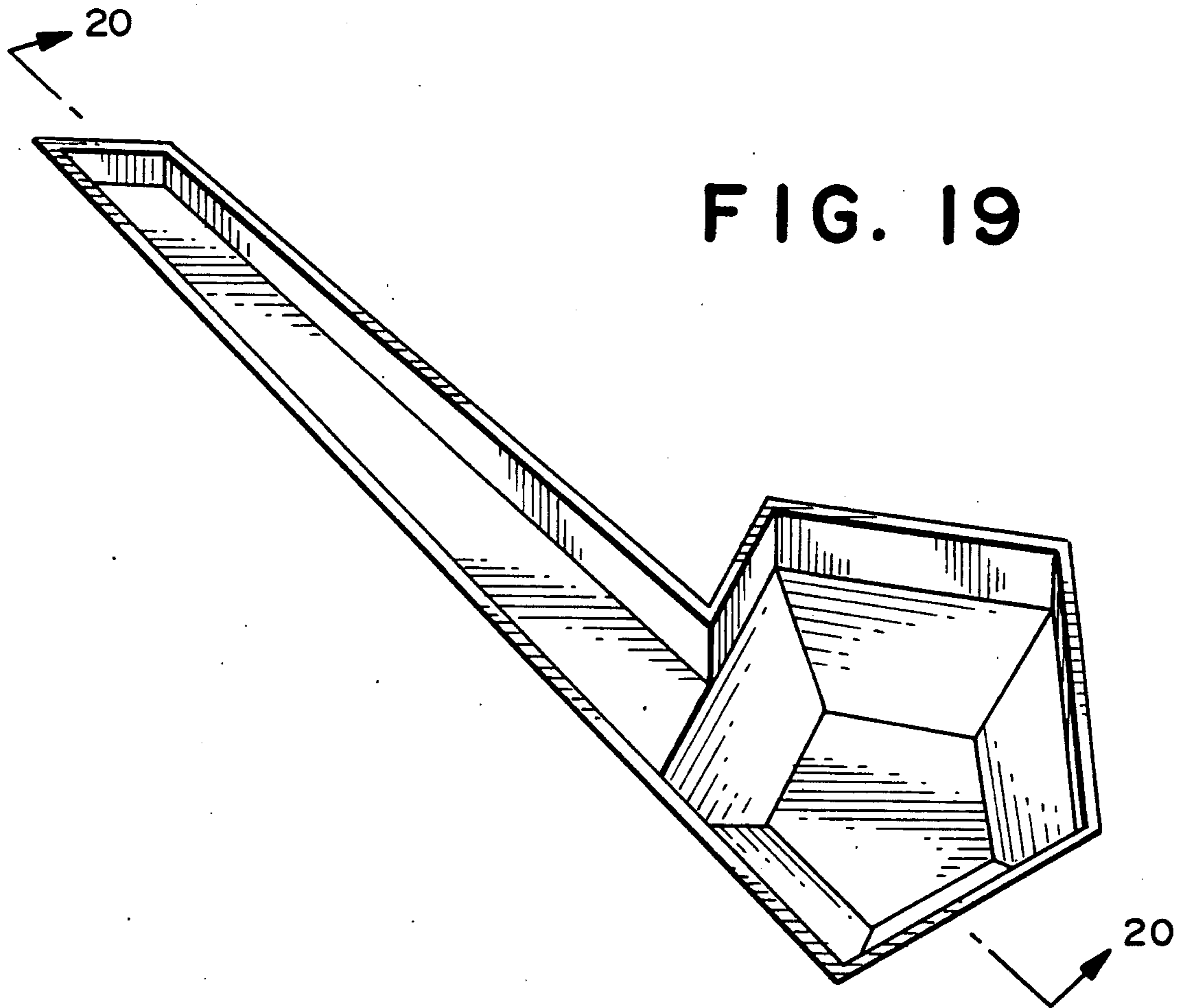


FIG. 19

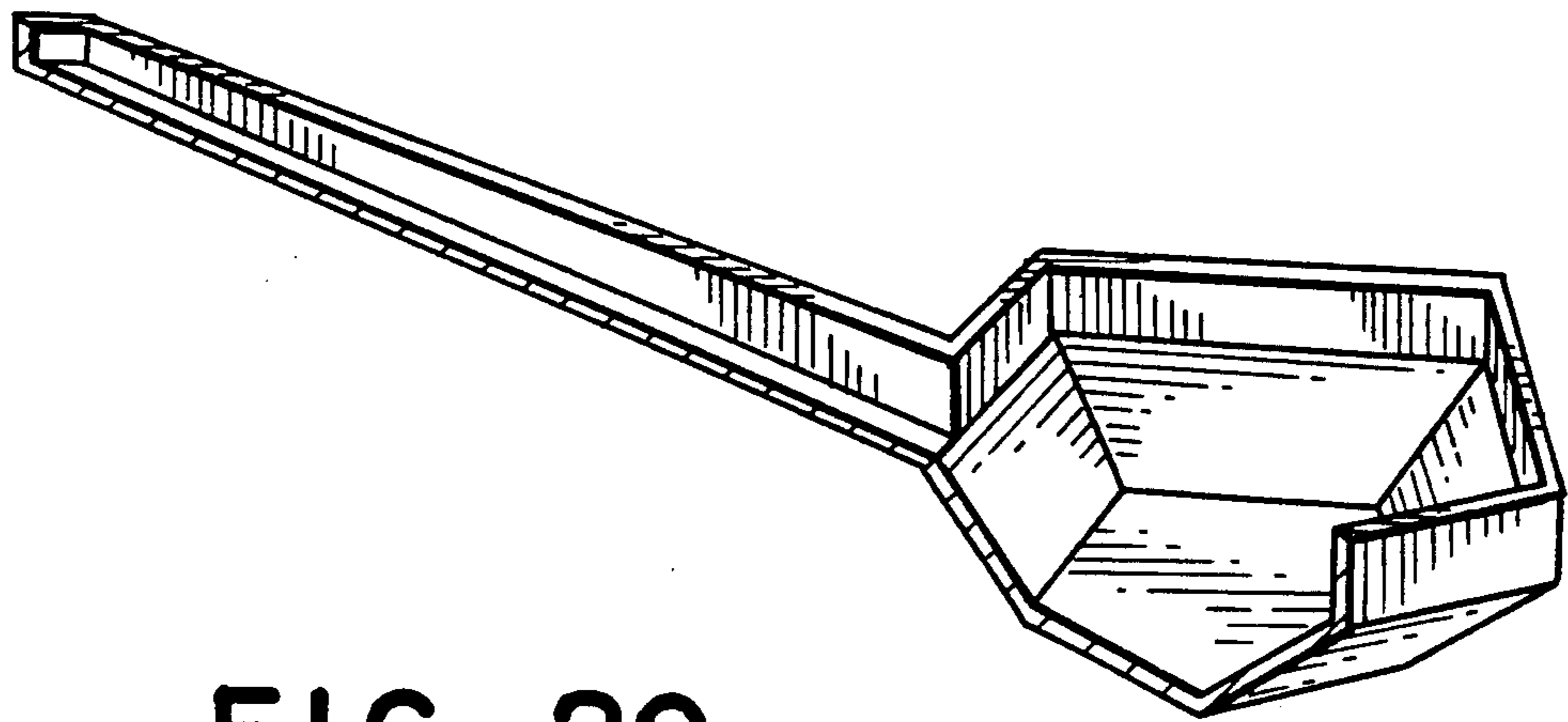


FIG. 20

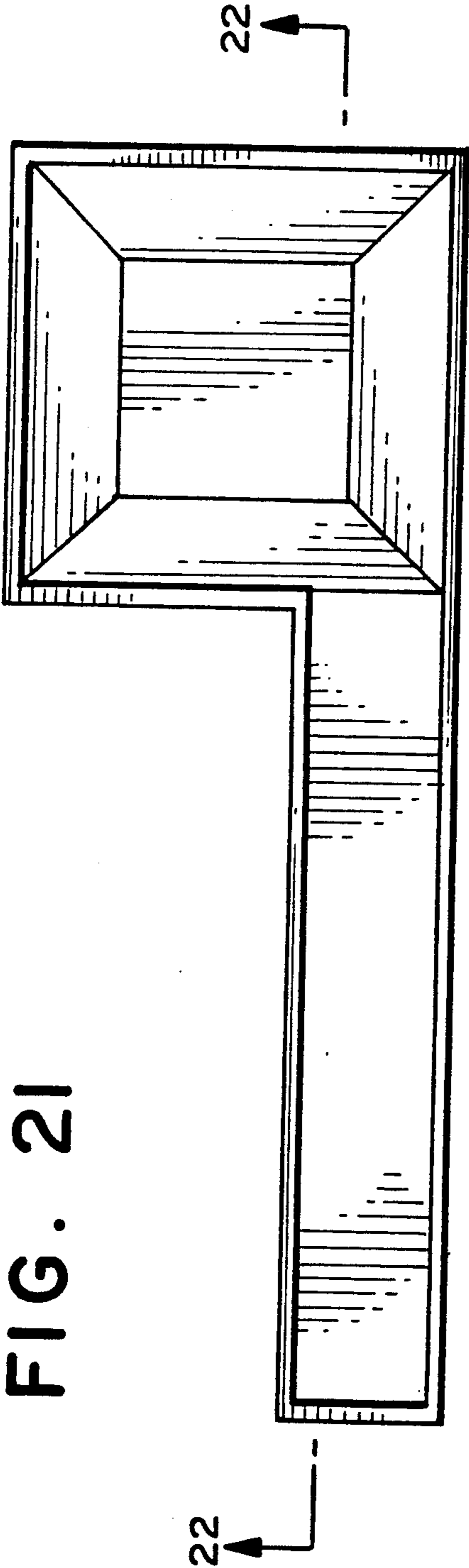


FIG. 21

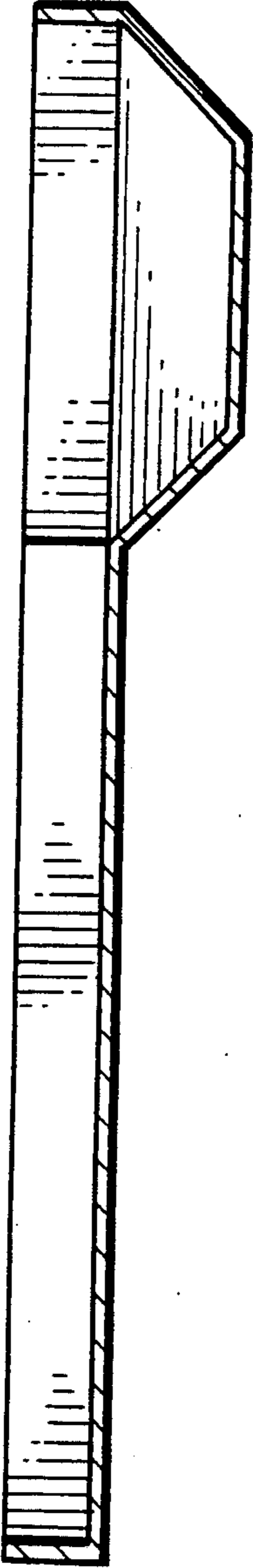


FIG. 22

