

# United States Patent [19]

Sone

[11] Patent Number: **Des. 320,661**

[45] Date of Patent: **\*\* Oct. 8, 1991**

[54] **OXYGENATOR**

[75] Inventor: **Yoshihisa Sone, Tokyo, Japan**

[73] Assignee: **Terumo Kabushiki Kaisha, Tokyo, Japan**

[\*\*] Term: **14 Years**

[21] Appl. No.: **331,535**

[22] Filed: **Mar. 30, 1989**

[30] **Foreign Application Priority Data**

Oct. 4, 1988 [JP] Japan ..... 63-38758

Oct. 4, 1988 [JP] Japan ..... 63-38759

[52] U.S. Cl. .... **D24/169**

[58] Field of Search ..... D24/8, 17, 21;  
261/DIG. 28; 422/45, 46, 47, 48; 128/DIG. 3

[56] **References Cited**

**U.S. PATENT DOCUMENTS**

D. 290,875 7/1987 Badolato et al. .... D24/8

4,158,693 6/1979 Reed et al. .... 261/DIG. 28 X

4,282,180 8/1981 Raible ..... 261/DIG. 28 X

4,428,934 6/1984 Raible ..... 422/45 X

4,620,965 11/1986 Fukusawa et al. .... 422/46  
4,948,560 8/1990 Deguchi et al. .... 261/DIG. 28 X

*Primary Examiner*—Stella Reid

*Attorney, Agent, or Firm*—Frishauf, Holtz, Goodman & Woodward

[57] **CLAIM**

The ornamental design for an oxygenator, as shown and described.

**DESCRIPTION**

FIG. 1 is a front elevational view of an oxygenator showing my new design;  
FIG. 2 is a rear elevational view thereof;  
FIG. 3 is a top plan view thereof;  
FIG. 4 is a bottom plan view thereof;  
FIG. 5 is a right side elevational view thereof;  
FIG. 6 is a left side elevational view thereof;  
FIG. 7 is a front elevational view of a second embodiment of the oxygenator;  
FIG. 8 is a rear elevational view thereof;  
FIG. 9 is a top plan view thereof;  
FIG. 10 is a bottom plan view thereof;  
FIG. 11 is a right side elevational view thereof; and  
FIG. 12 is a left side elevational view thereof.

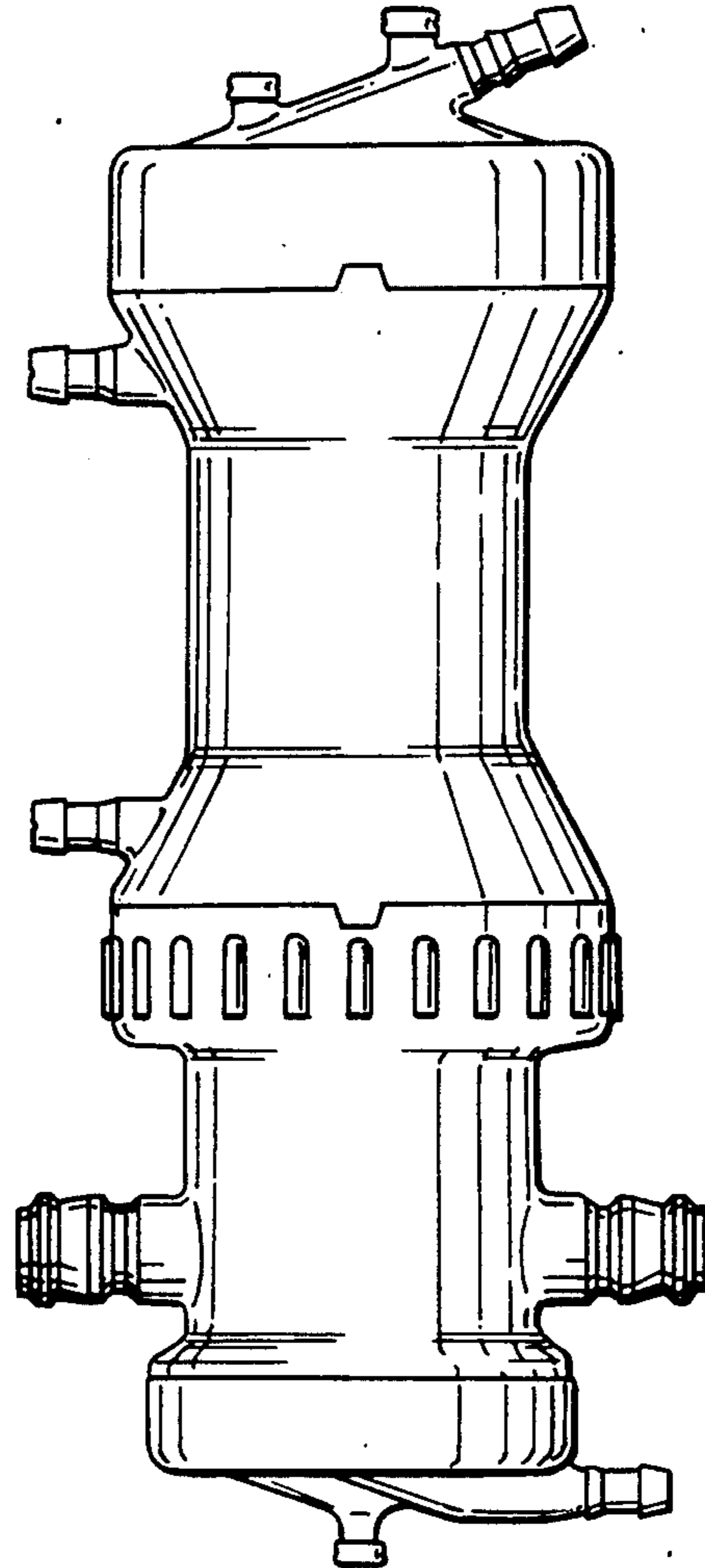
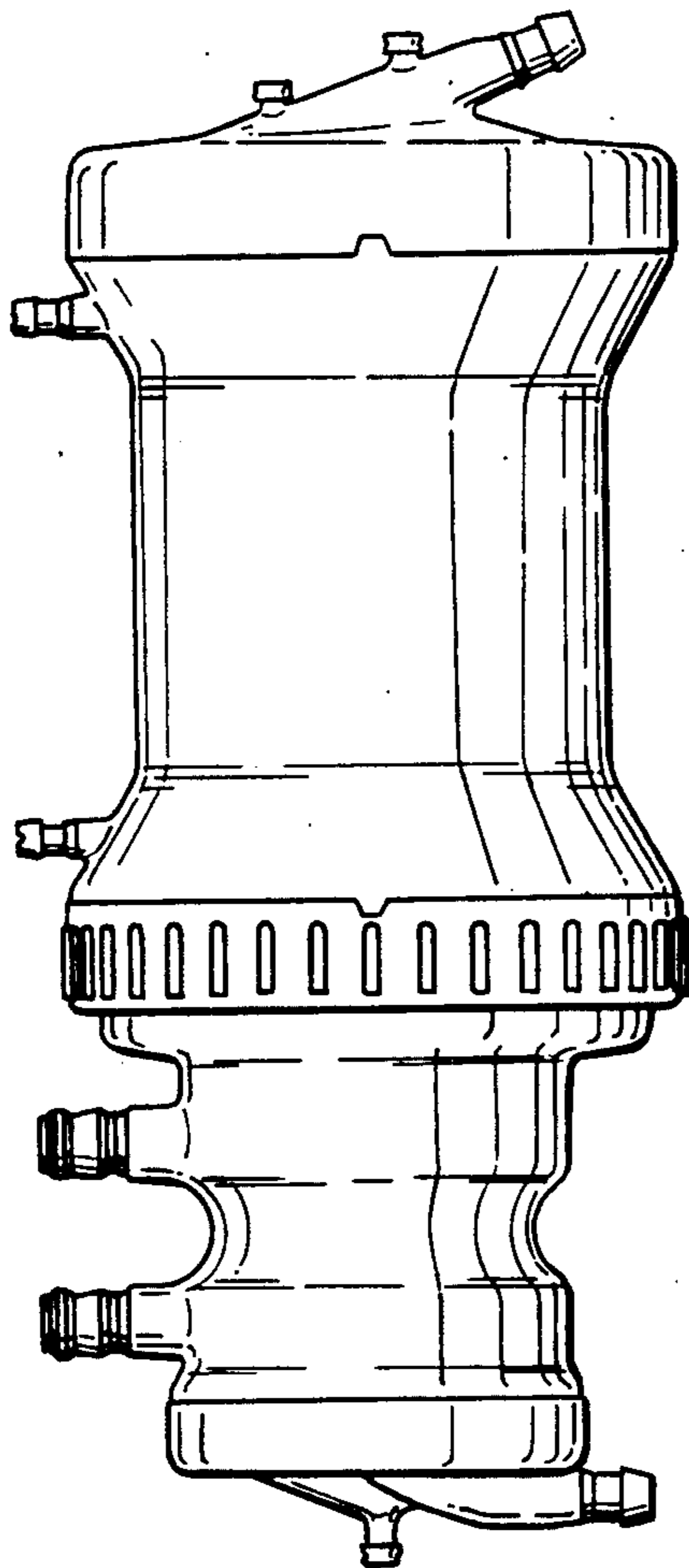


FIG. 1

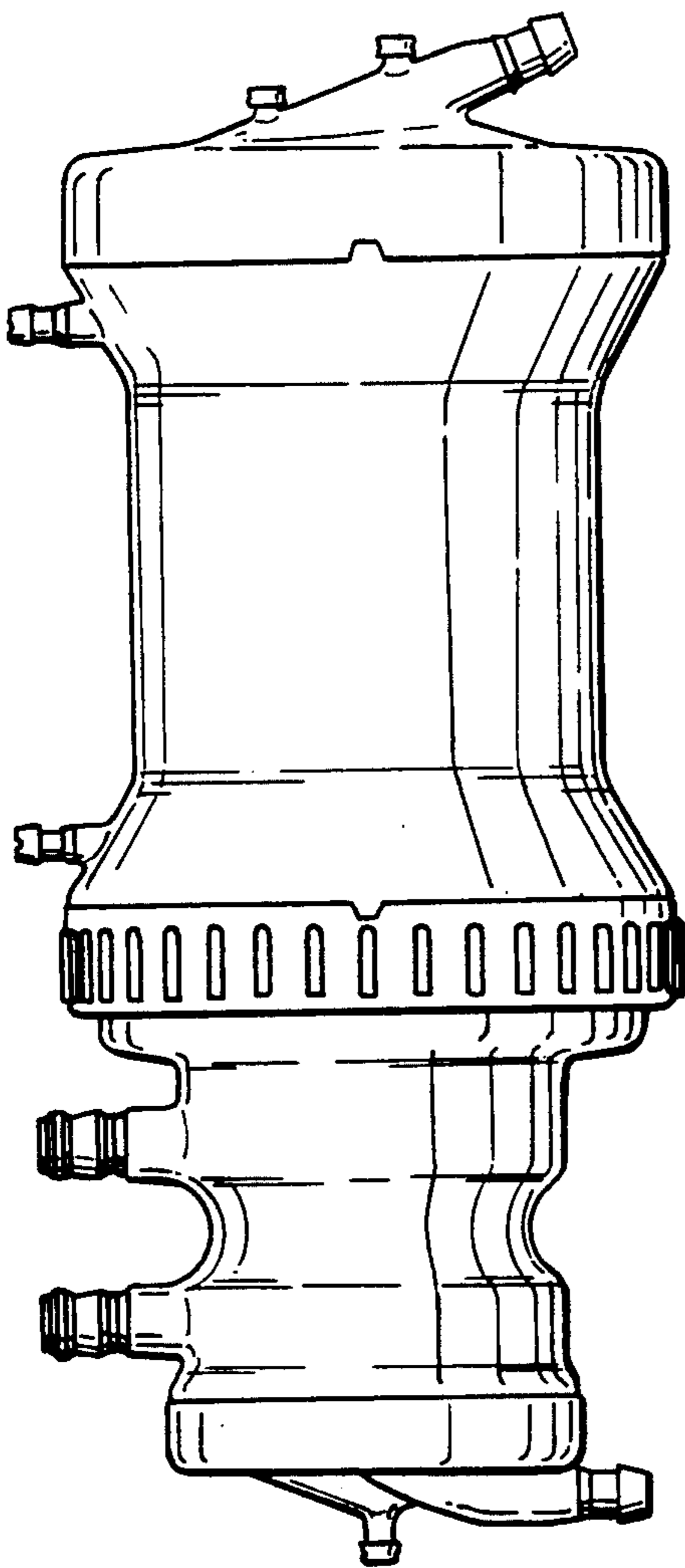


FIG. 2

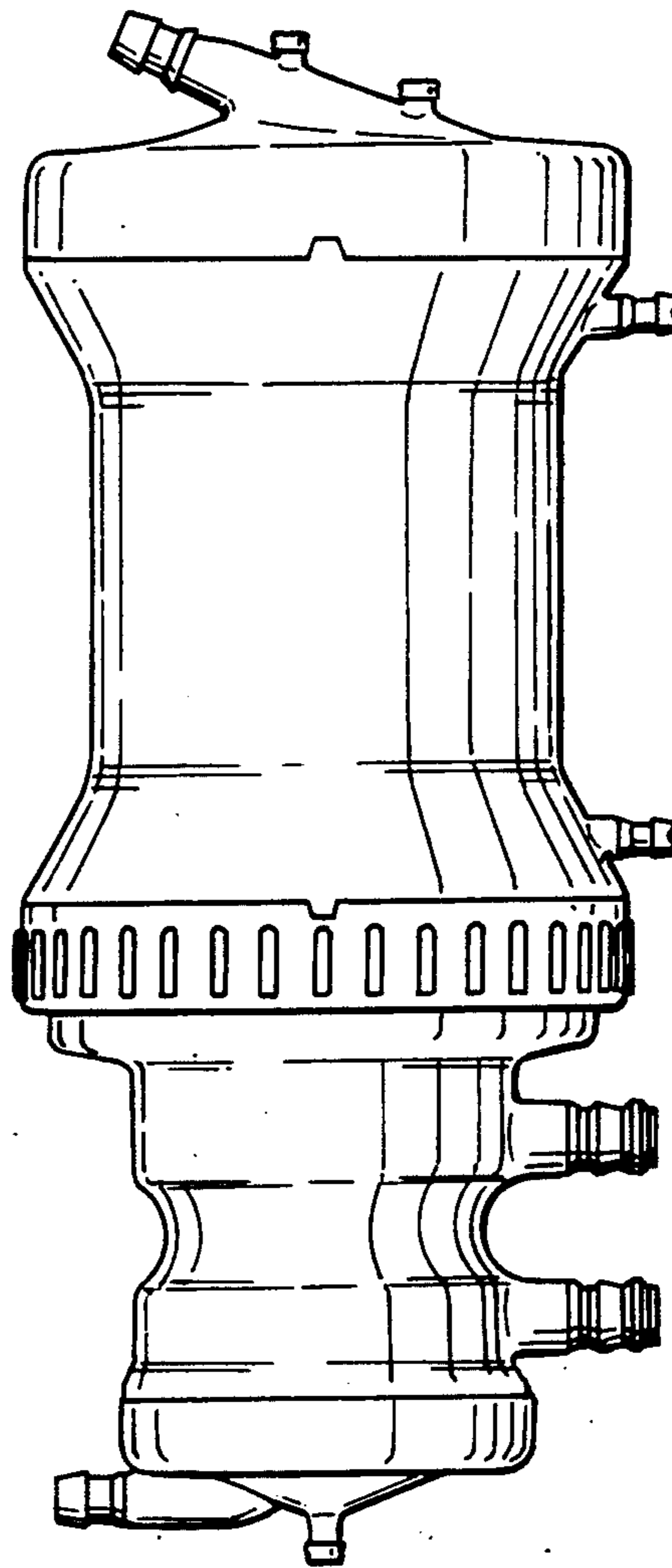


FIG. 3

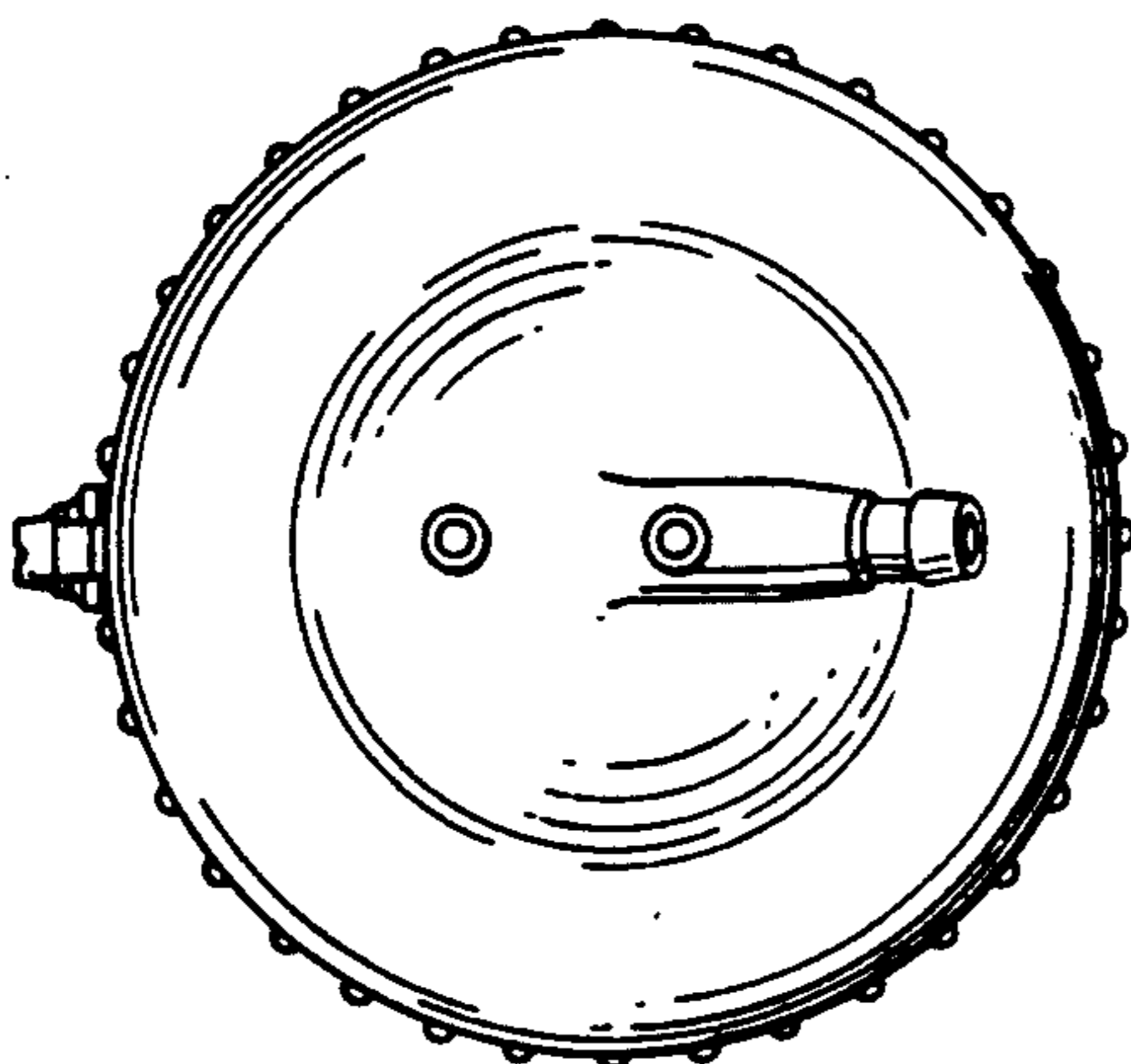


FIG. 4

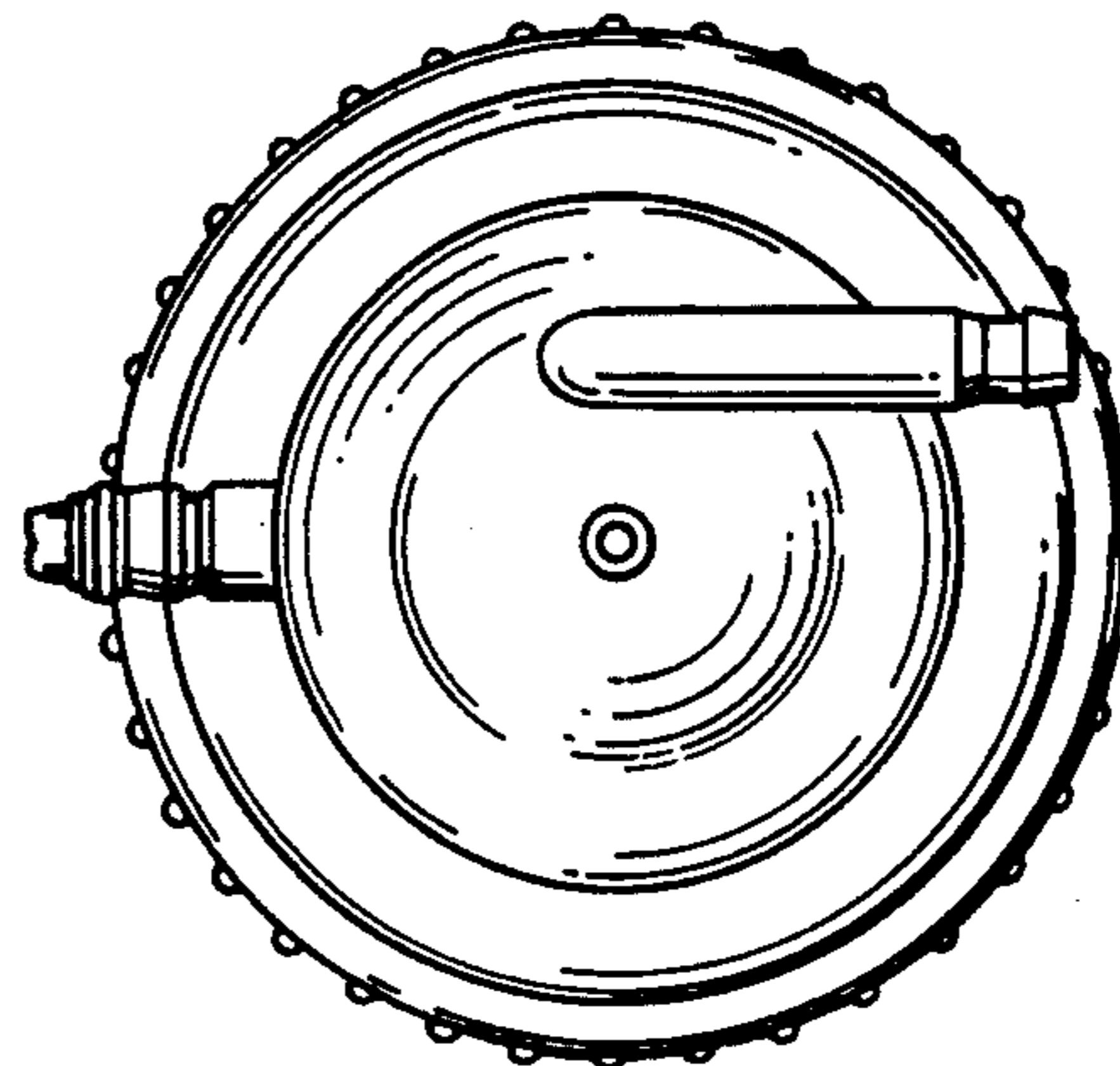


FIG. 5

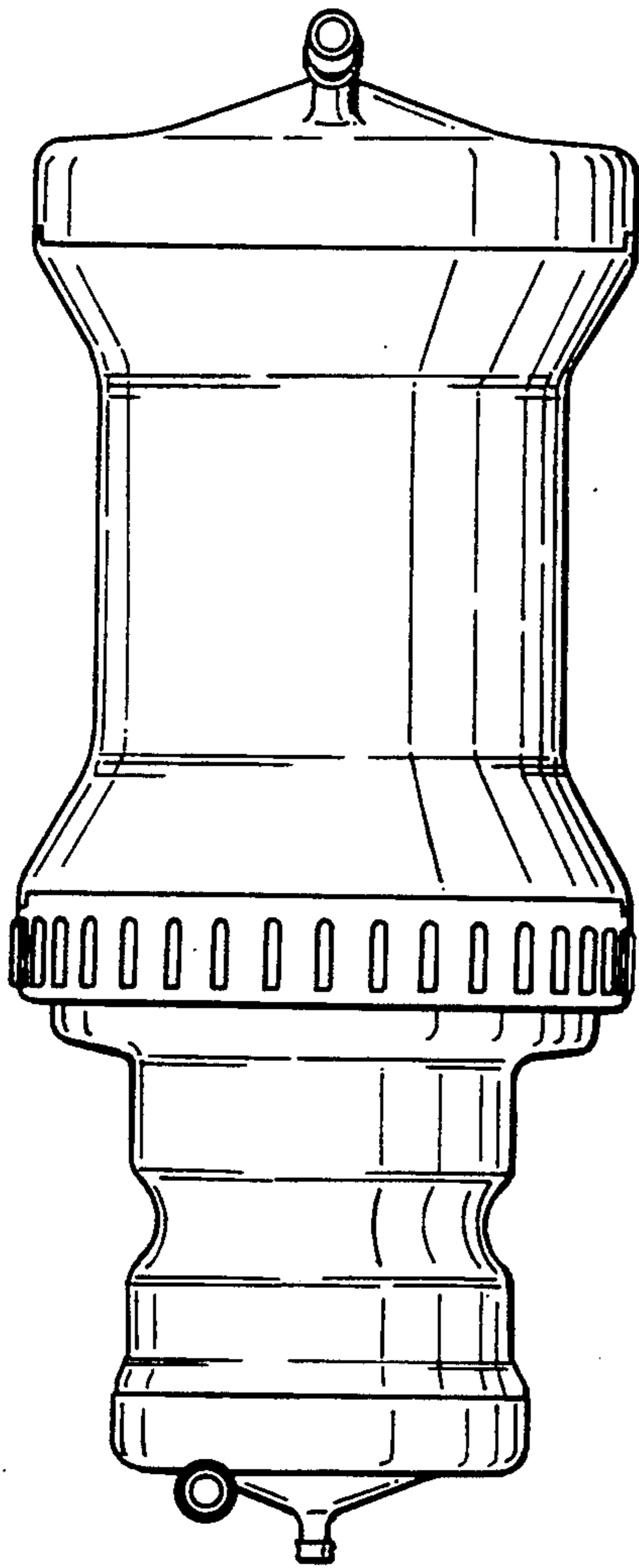


FIG. 6

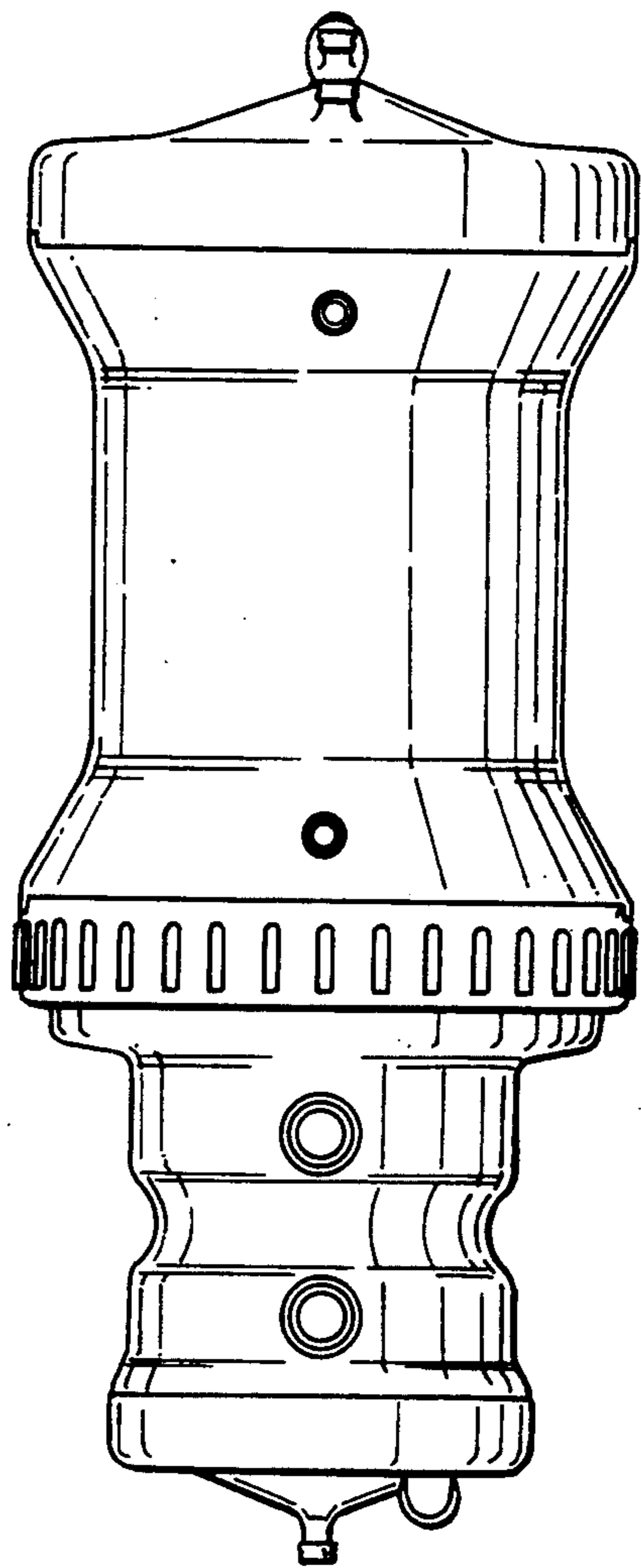


FIG. 7

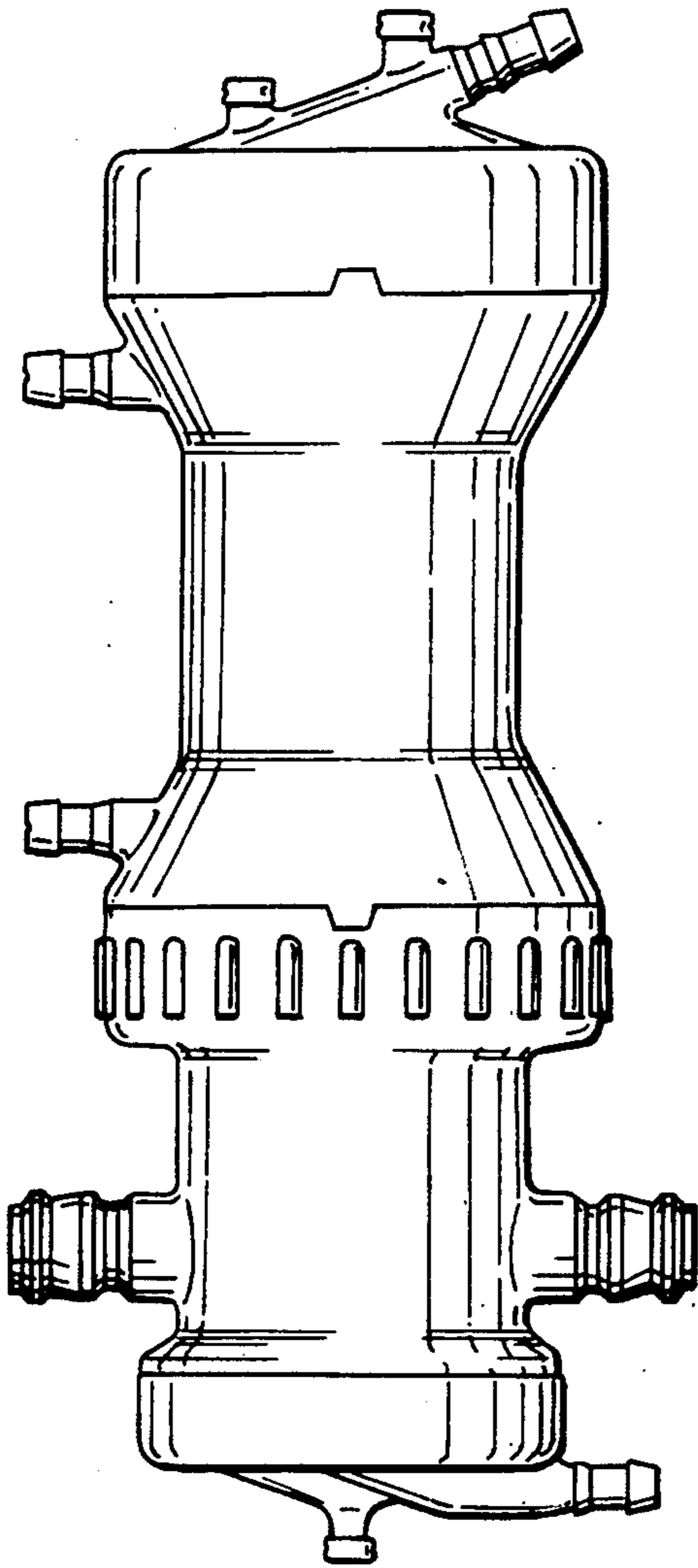


FIG. 8

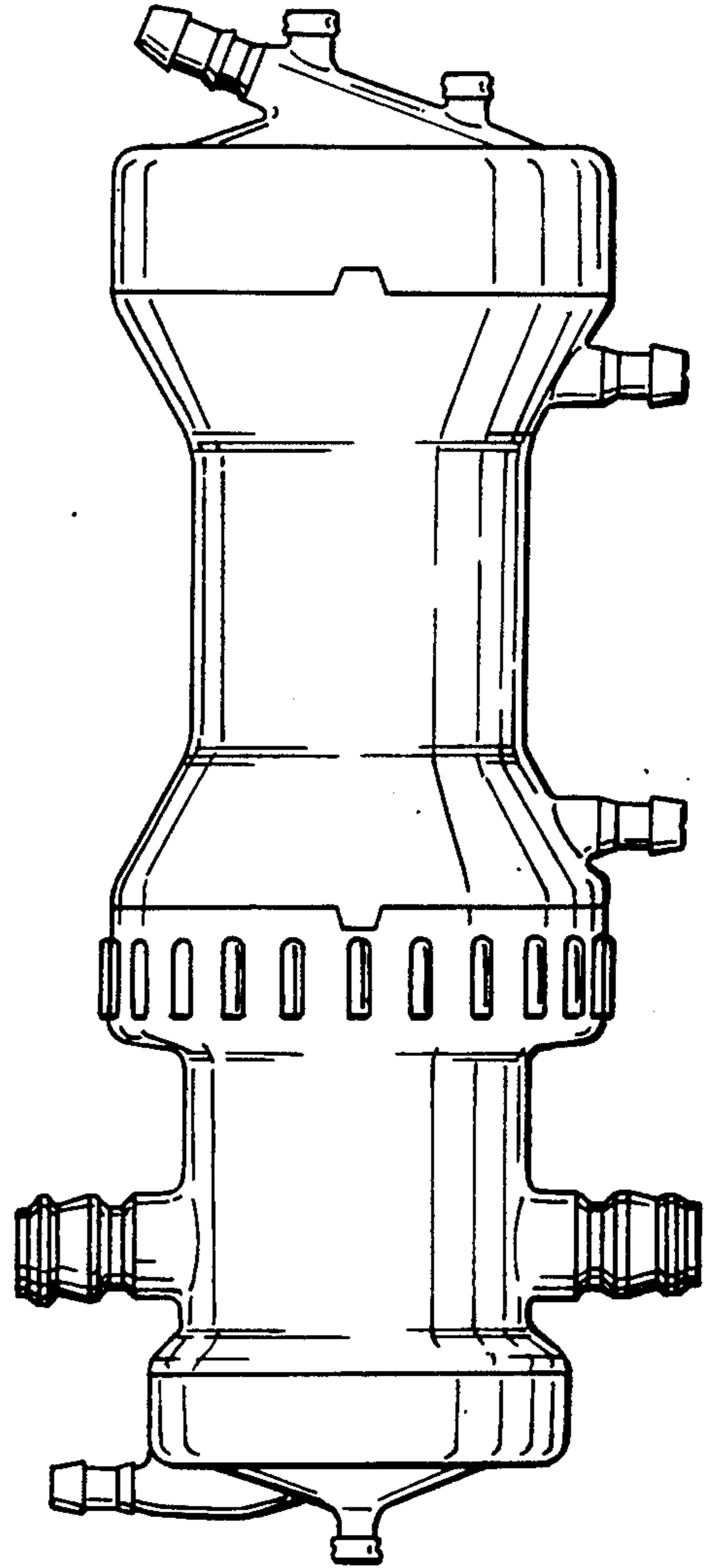


FIG. 9

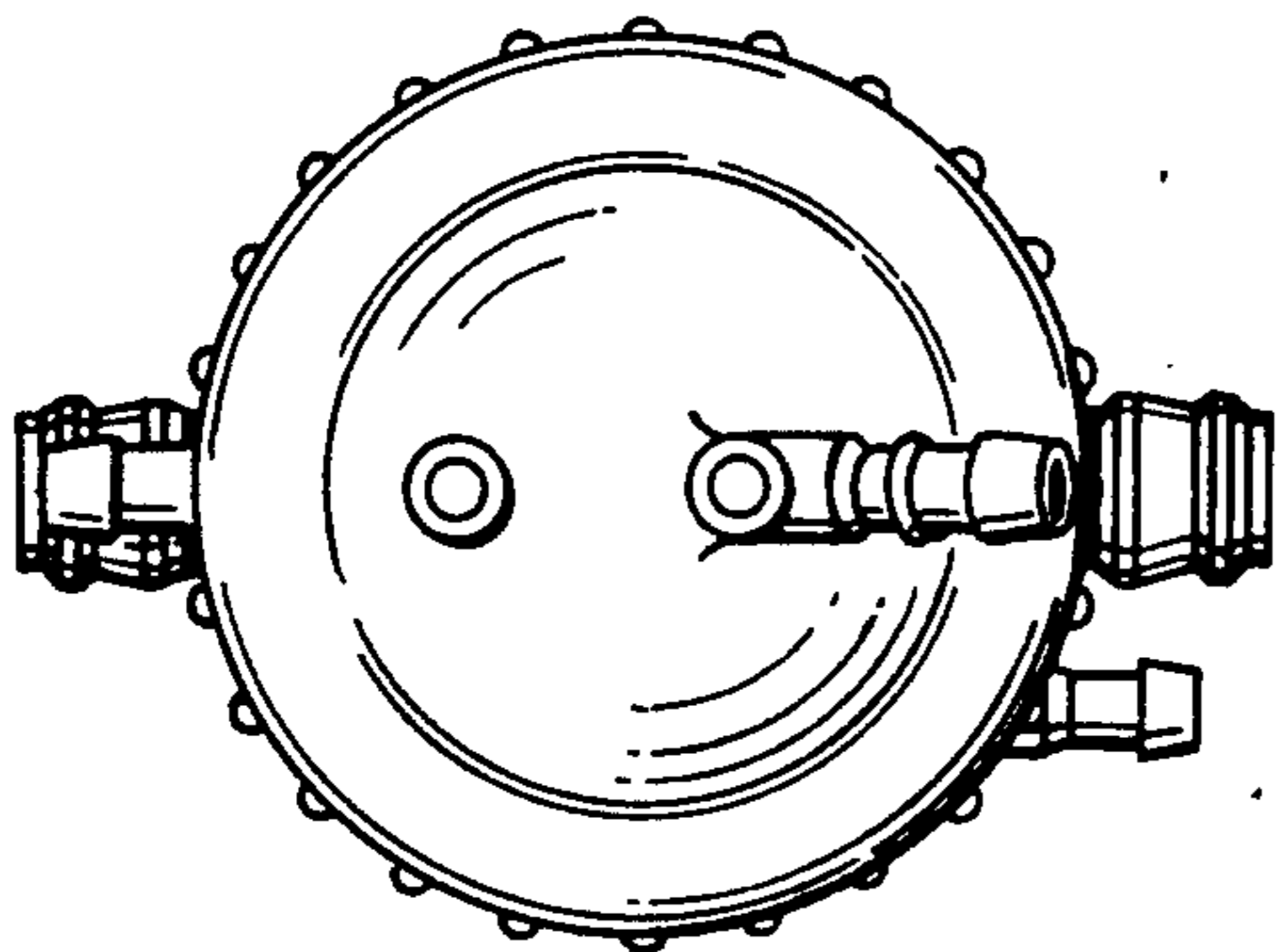


FIG. 10

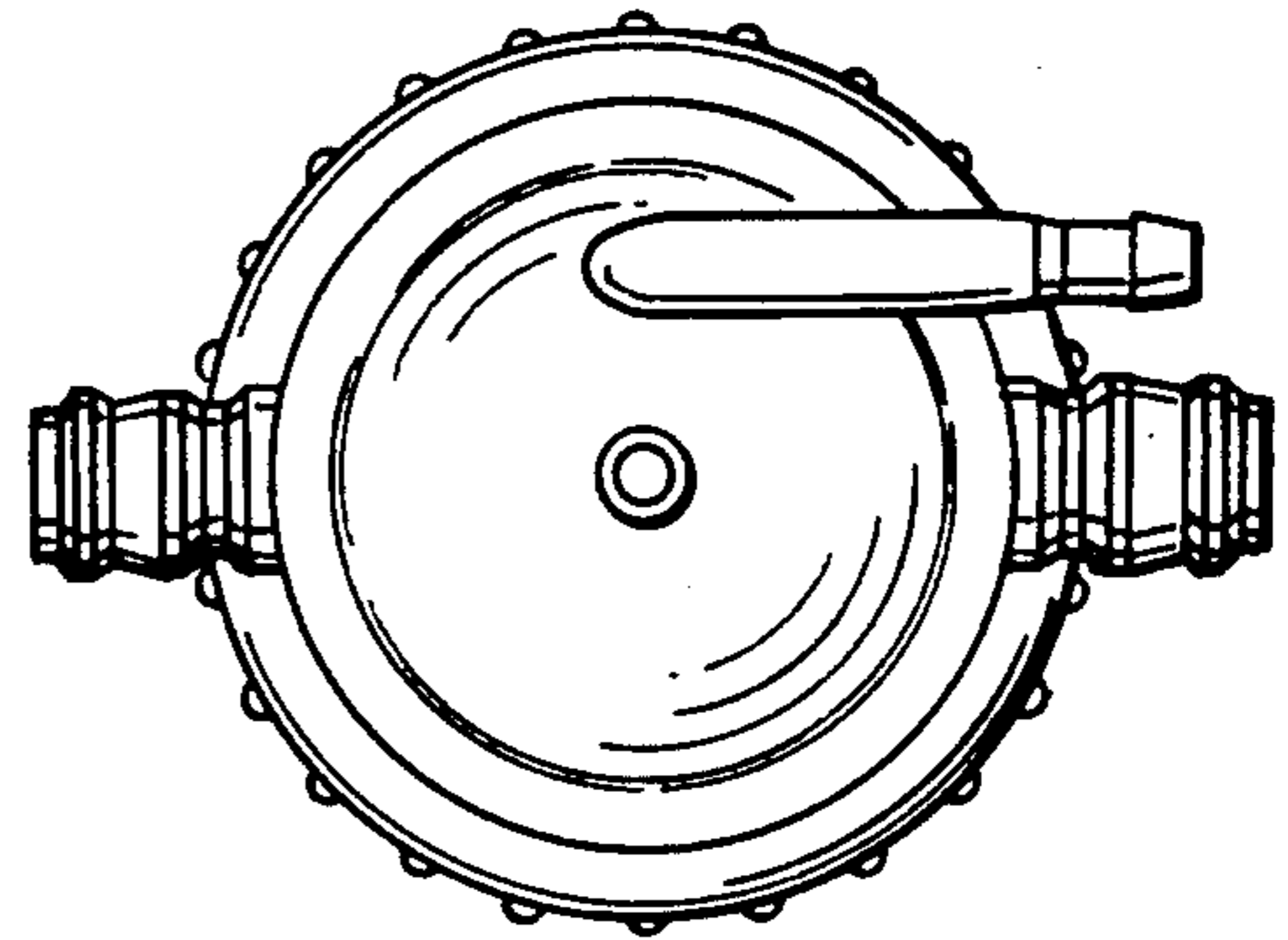


FIG. 11

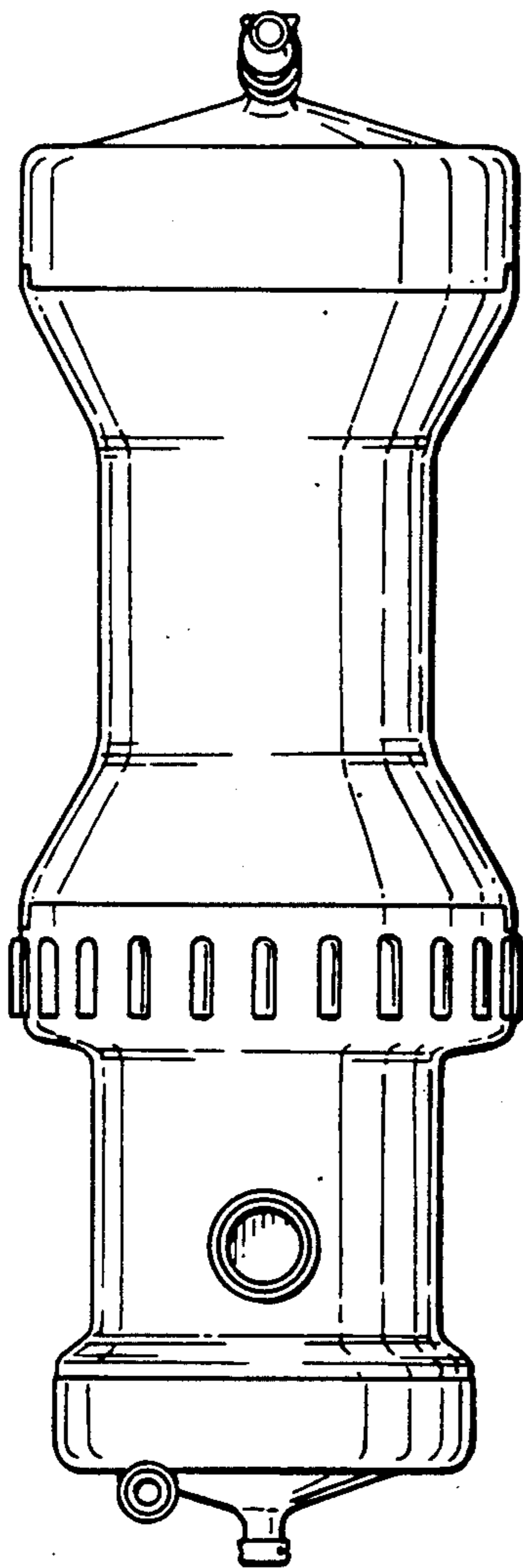


FIG. 12

