

[54] NASAL IMPLANT

[76] Inventors: Ole H. Johansson, 725 Yananoli St., Santa Barbara, Calif. 93103; Robert J. Capriotti, 2800 Garth Rd., Baytown, Tex. 77521

[\*\*] Term: 14 Years

[21] Appl. No.: 220,100

[22] Filed: Jul. 15, 1988

[52] U.S. Cl. .... D24/155

[58] Field of Search ..... D24/33; 623/10, 11, 623/8; 600/20; 128/DIG. 21

[56] References Cited

U.S. PATENT DOCUMENTS

- D. 127,595 6/1941 Vivian ..... D24/33
- D. 270,759 9/1983 Straith ..... D24/33

Primary Examiner—Stella Reid  
Attorney, Agent, or Firm—Daniel J. Meaney, Jr.

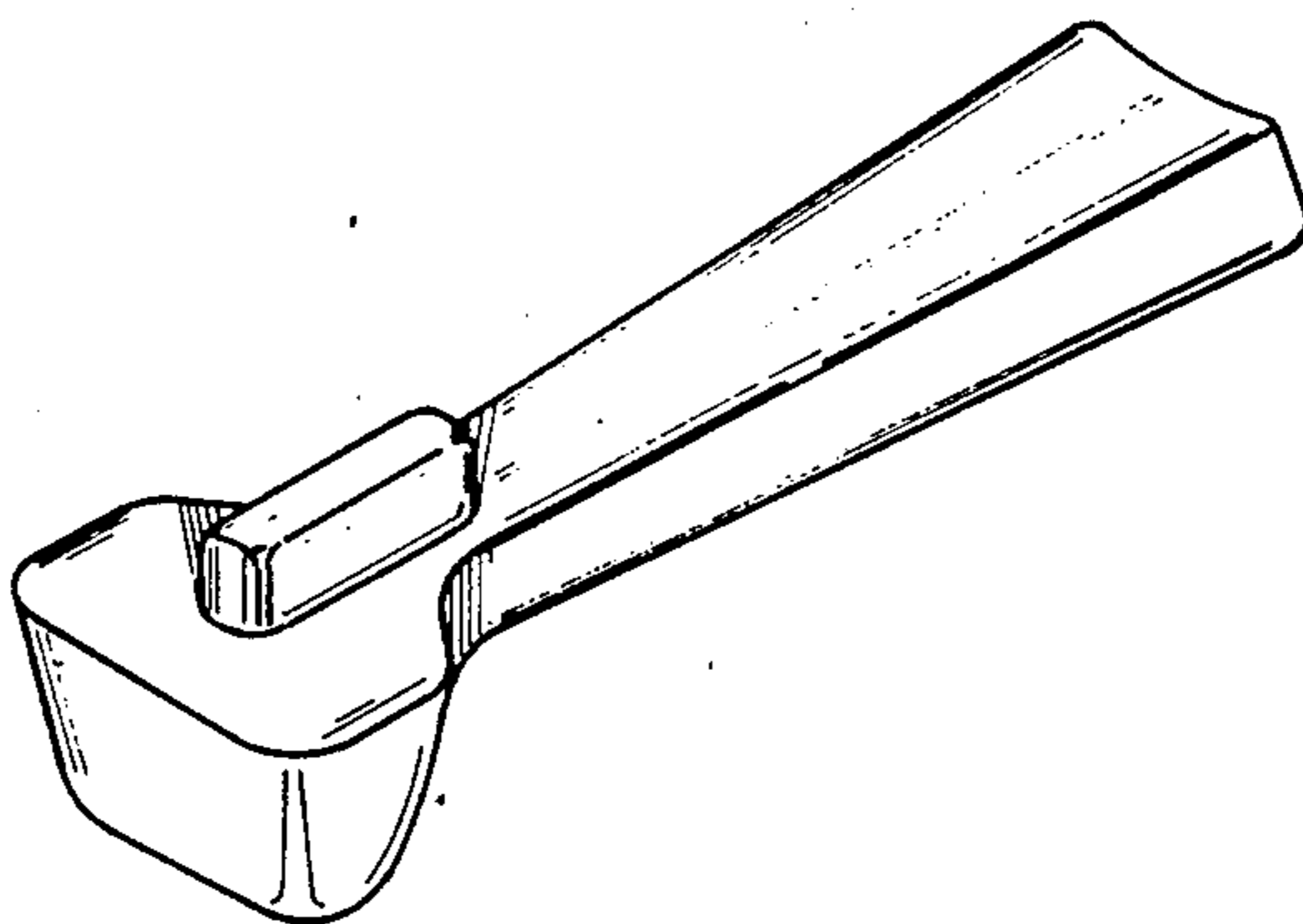
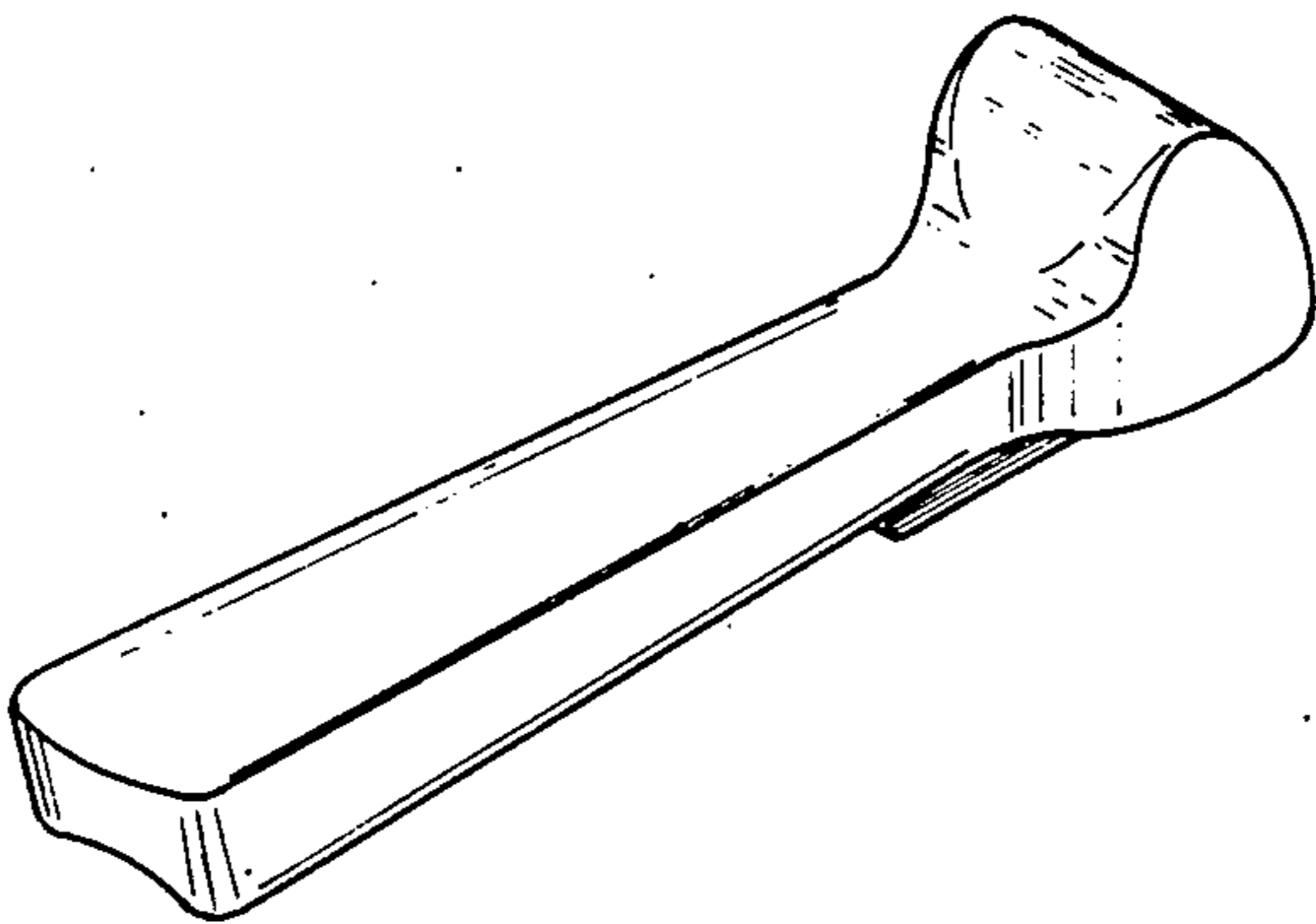
[57] CLAIM

The ornamental design for a nasal implant, as shown and described.

DESCRIPTION

FIG. 1 is a top, front, left end perspective view of a nasal implant, showing our new design;  
 FIG. 2 is a bottom, rear, right end perspective view thereof;  
 FIG. 3 is a front elevational view thereof, the rear elevational view being identical;

FIG. 4 is a top plan view thereof;  
 FIG. 5 is a bottom plan view thereof;  
 FIG. 6 is a left side elevational view thereof;  
 FIG. 7 is a right side elevational view thereof; and  
 FIG. 8 is a top, front, left end perspective view of a second embodiment of the nasal implant;  
 FIG. 9 is a bottom, rear, right end perspective view thereof;  
 FIG. 10 is a front elevational view thereof, the rear elevational view being identical;  
 FIG. 11 is a top plan view thereof;  
 FIG. 12 is a bottom plan view thereof;  
 FIG. 13 is a left side elevational view thereof;  
 FIG. 14 is a right side elevational thereof;  
 FIG. 15 is a top, front, left end perspective view of a third embodiment of the nasal implant;  
 FIG. 16 is a bottom, rear, right end elevational view thereof;  
 FIG. 17 is a front elevational view thereof, the rear elevational view being identical;  
 FIG. 18 is a top plan view thereof;  
 FIG. 19 is a bottom plan view thereof;  
 FIG. 20 is a left side elevational view thereof;  
 FIG. 21 is a right side elevational view thereof;  
 FIG. 22 is a top, front, left end perspective view of a fourth embodiment of the nasal implant;  
 FIG. 23 is a bottom, rear, right end perspective view thereof;  
 FIG. 24 is a front elevational view thereof, the rear elevational view being identical;  
 FIG. 25 is a top plan view thereof;  
 FIG. 26 is a bottom plan view thereof;  
 FIG. 27 is a left side elevational view thereof; and  
 FIG. 28 is a right side elevational view thereof.



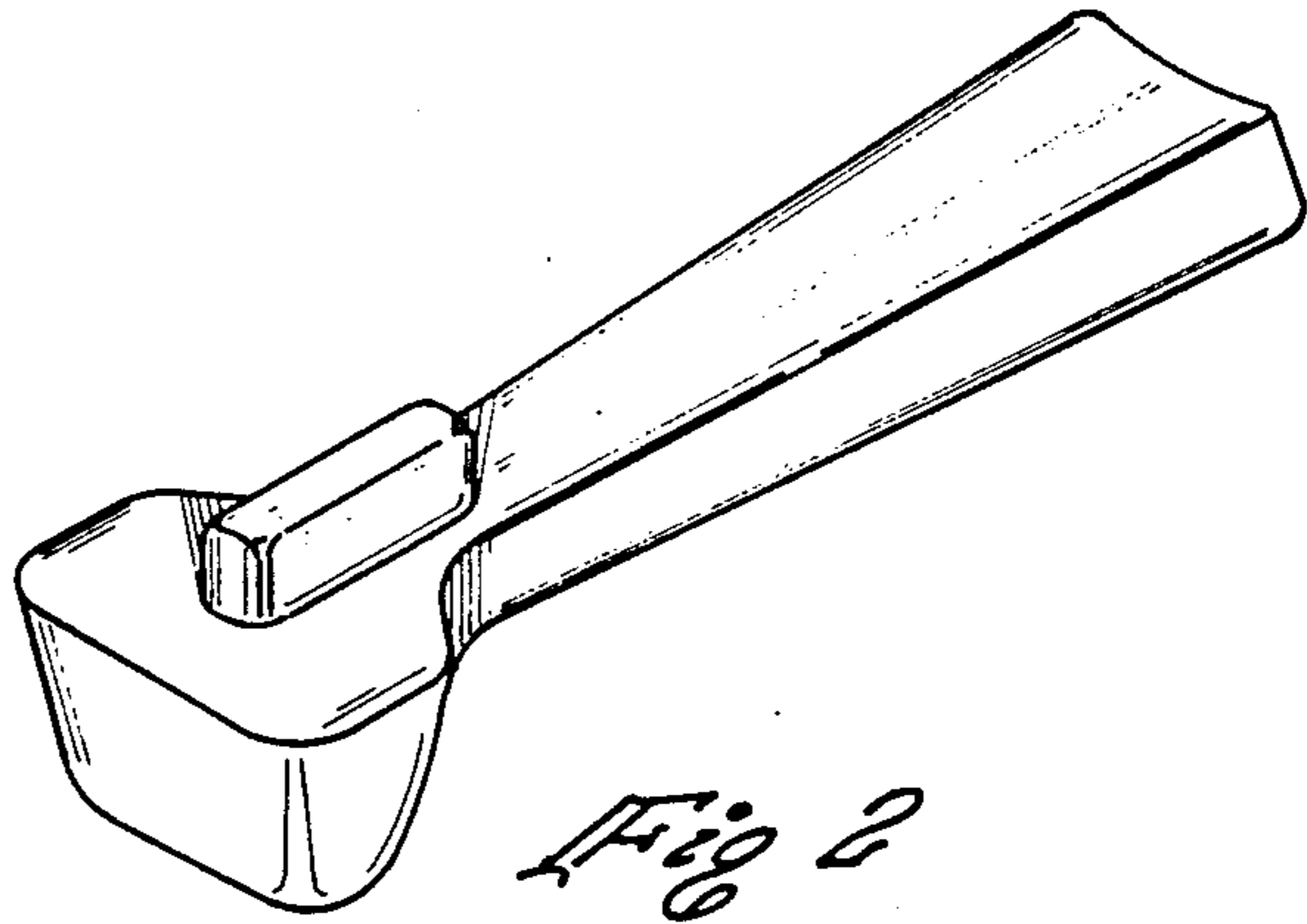
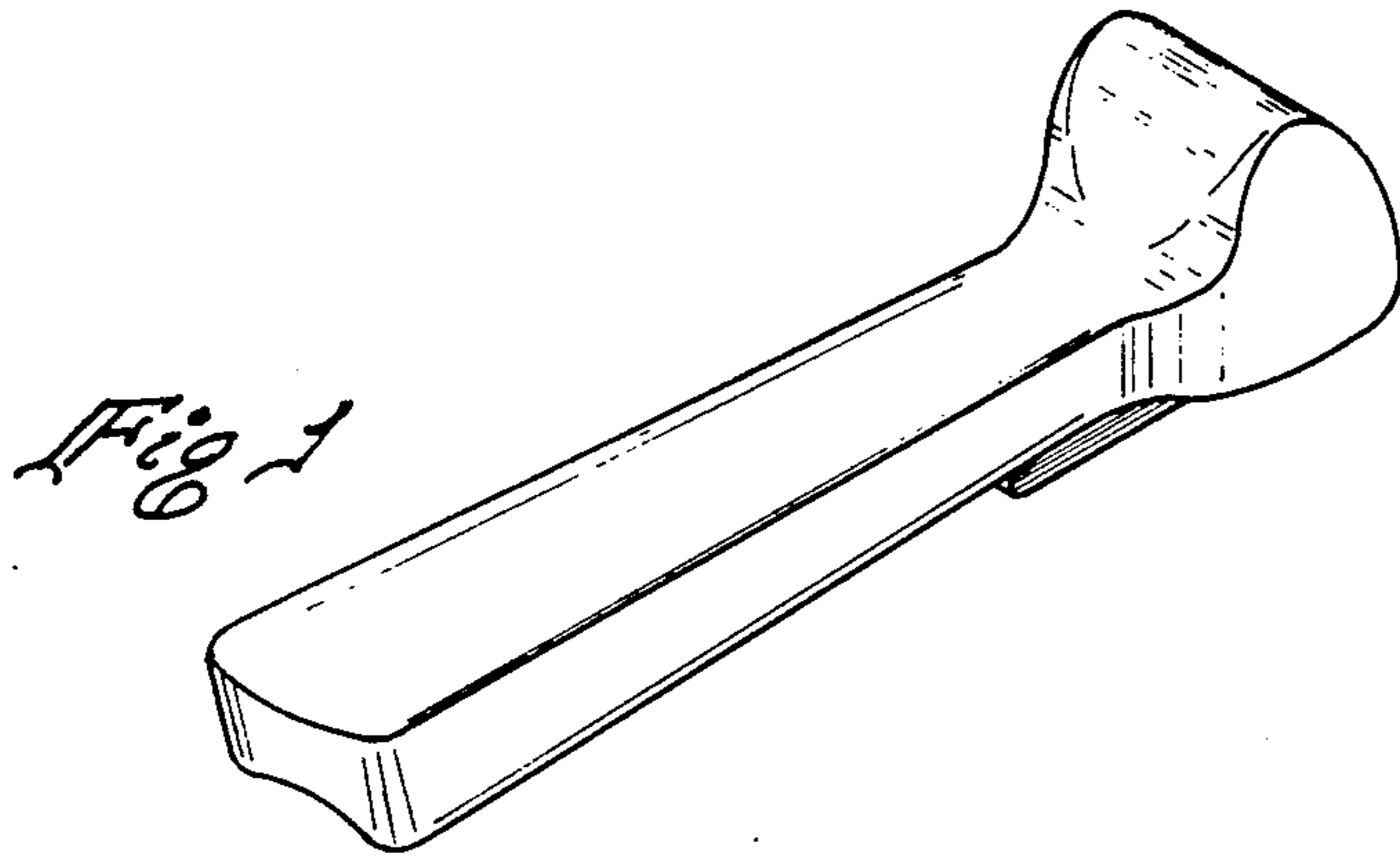


Fig 4

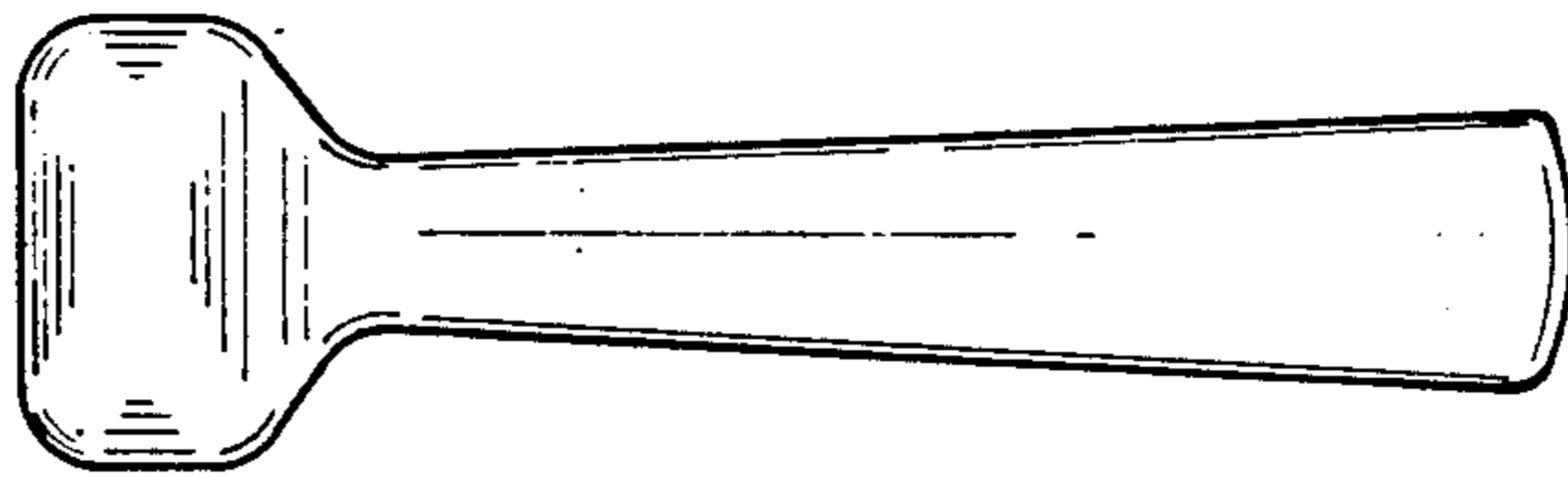


Fig 3

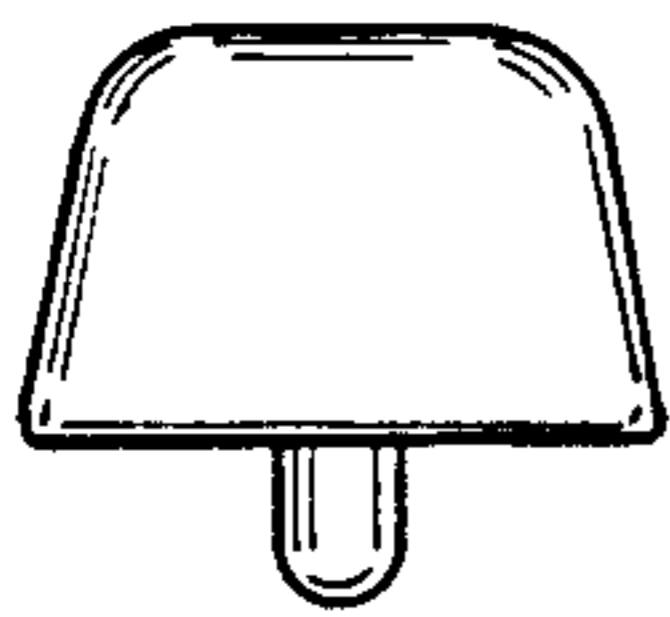
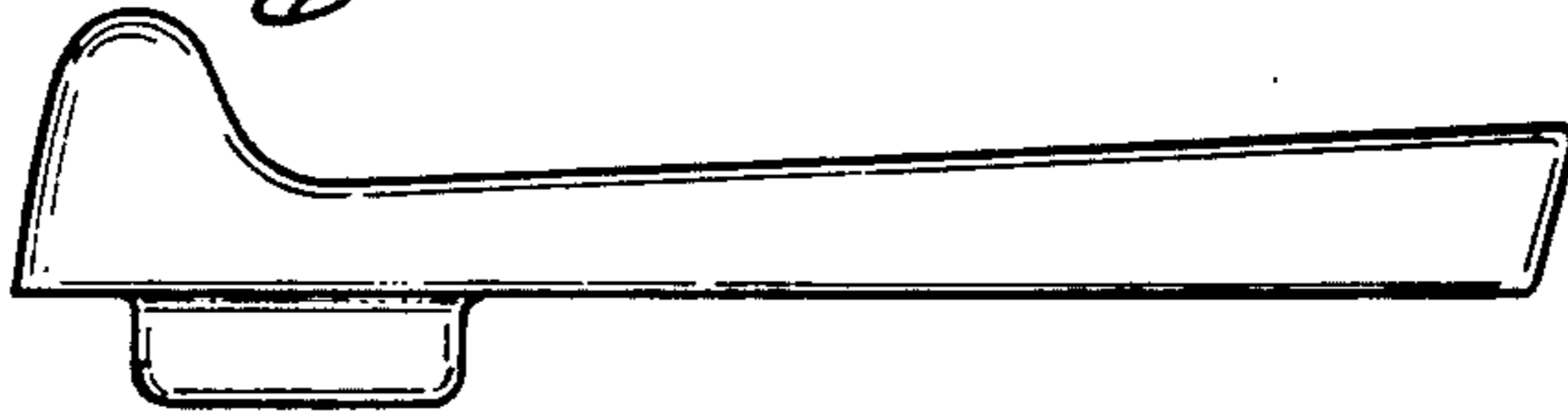


Fig 6

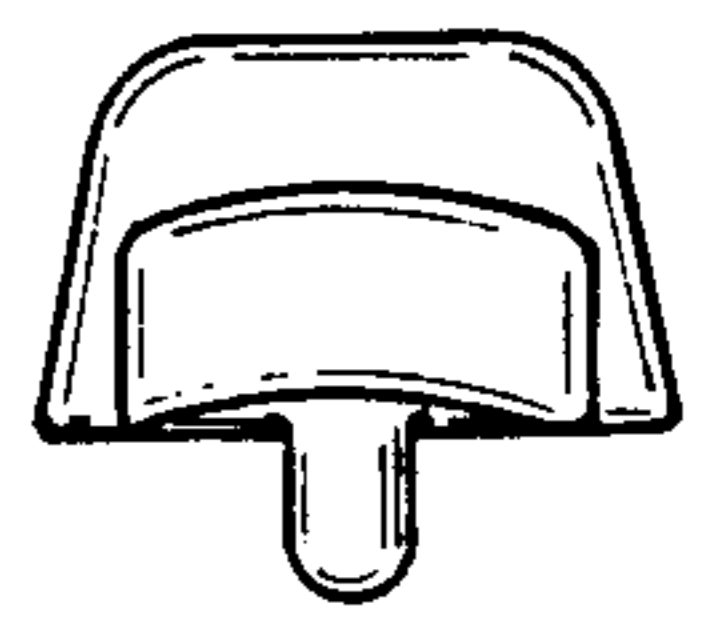


Fig 7

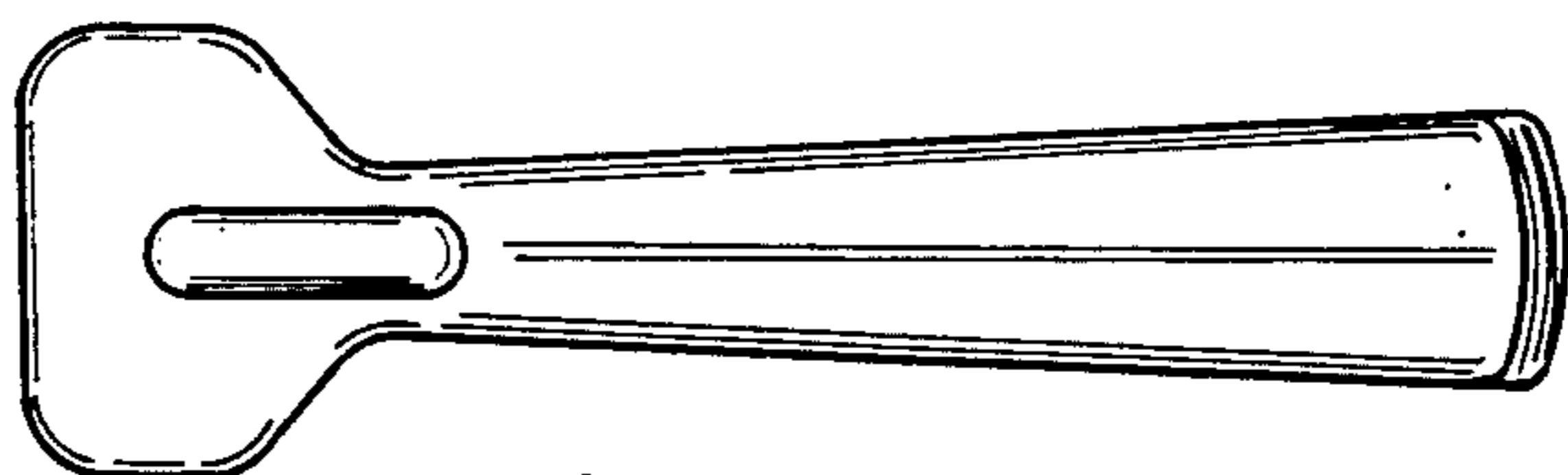


Fig 5

FIG. 8

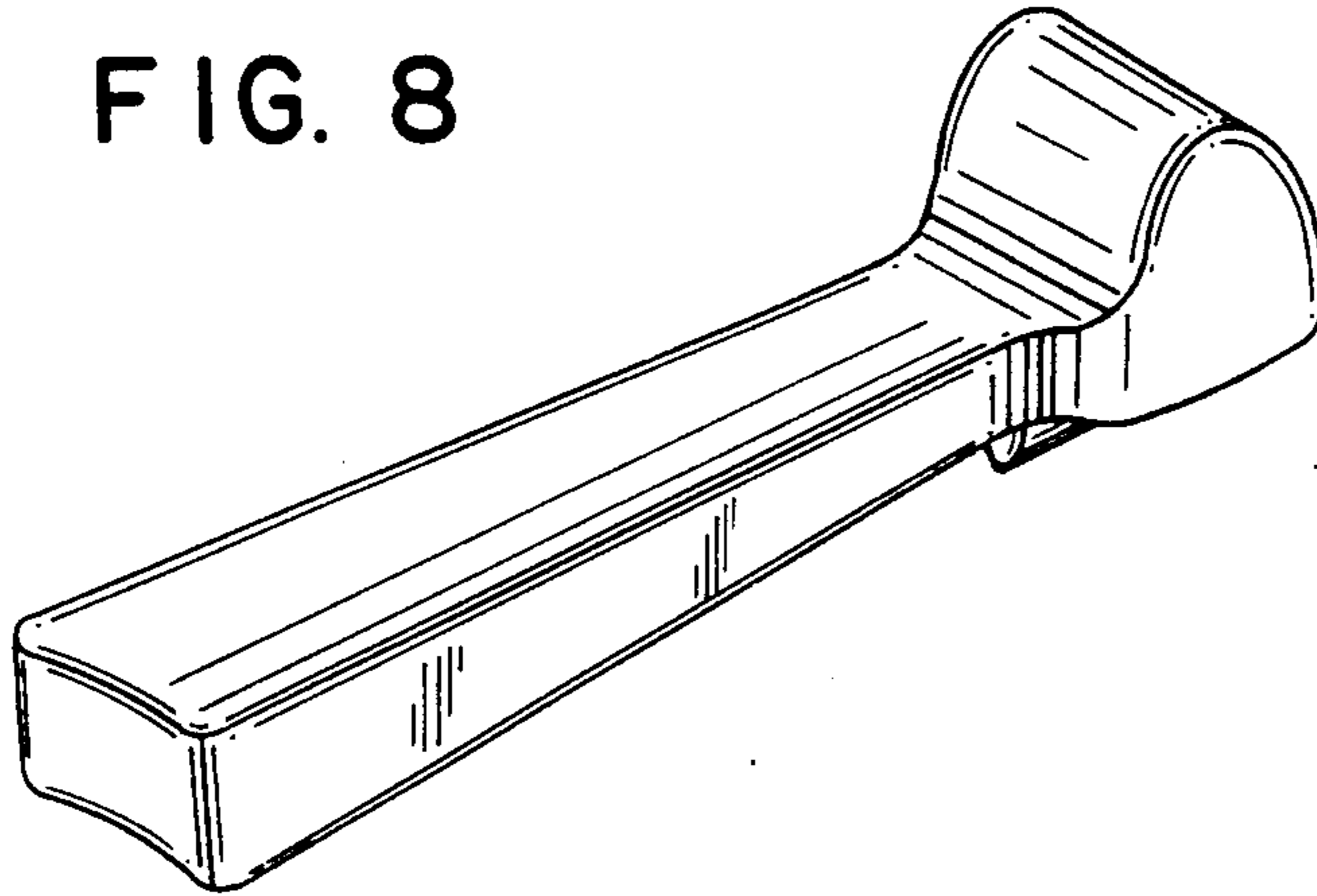


FIG. 9

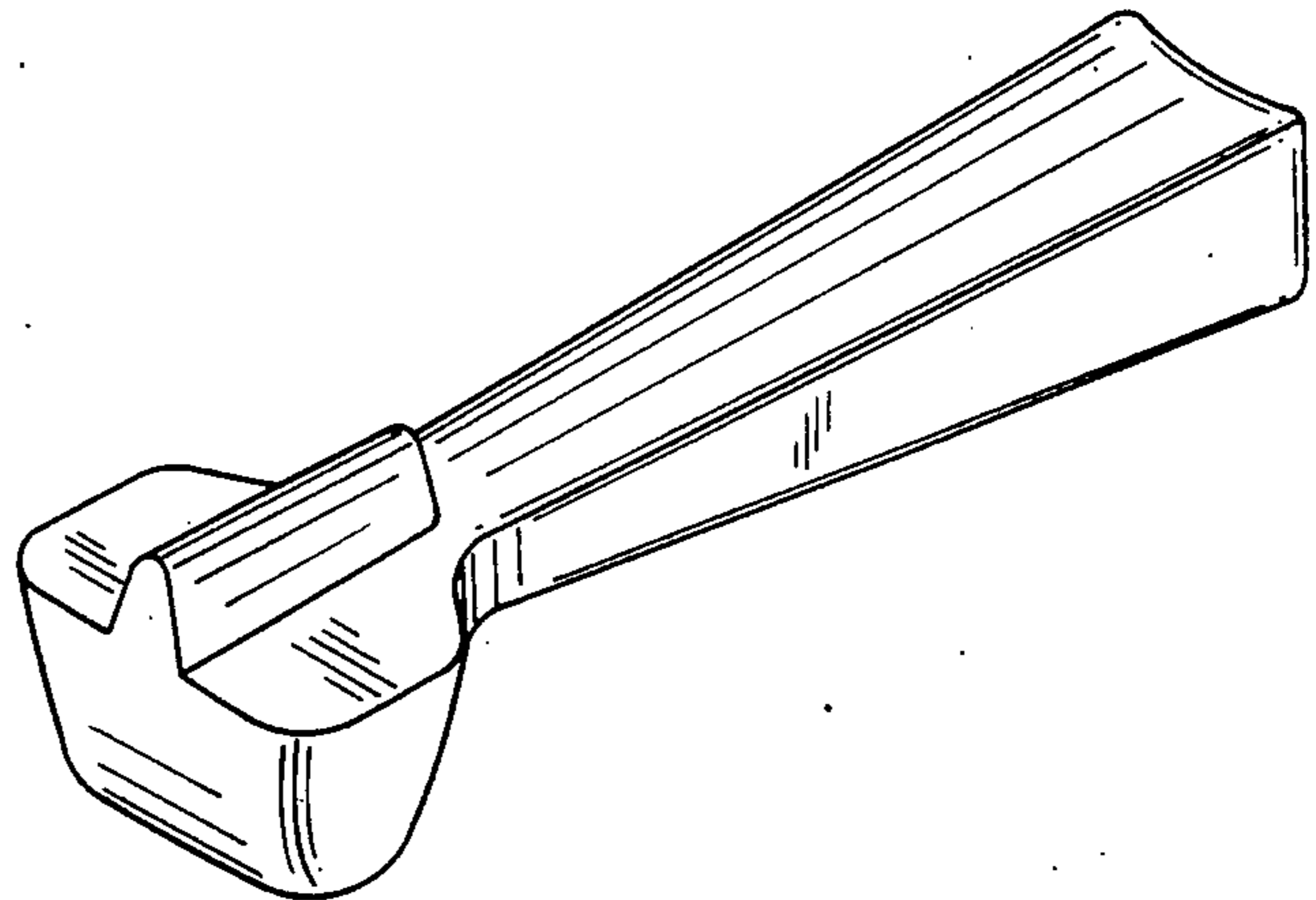


FIG. 10

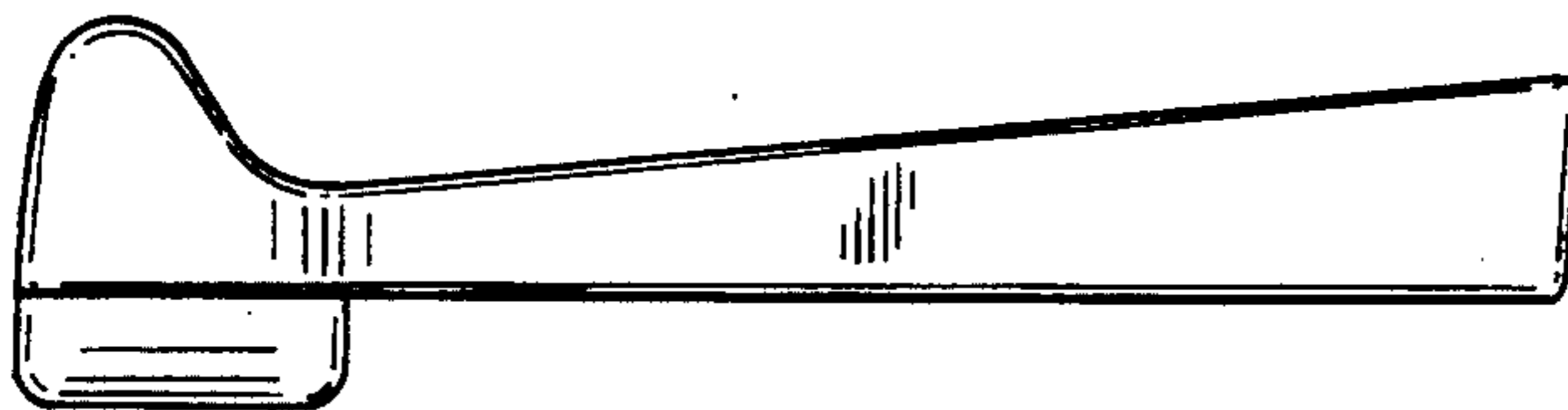


FIG. 13

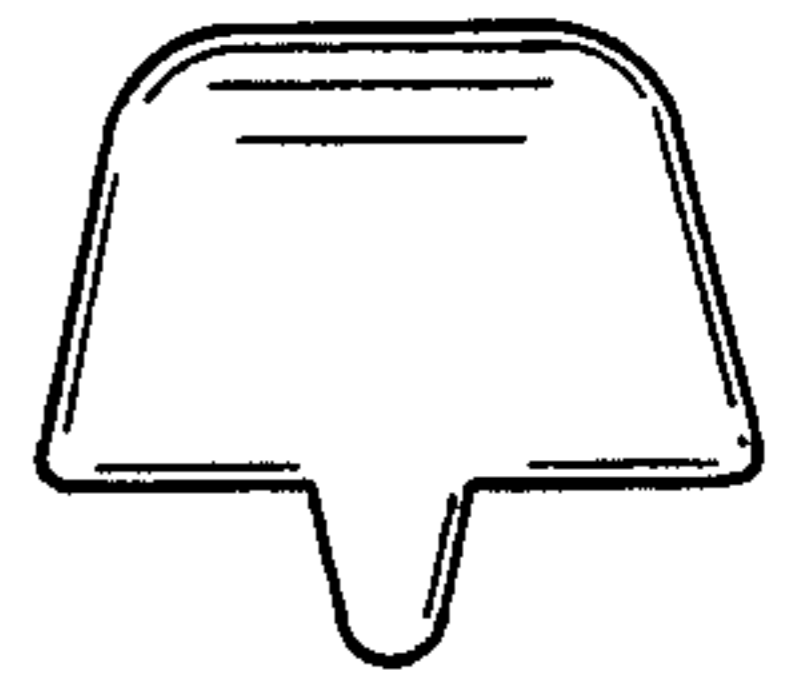


FIG. 11

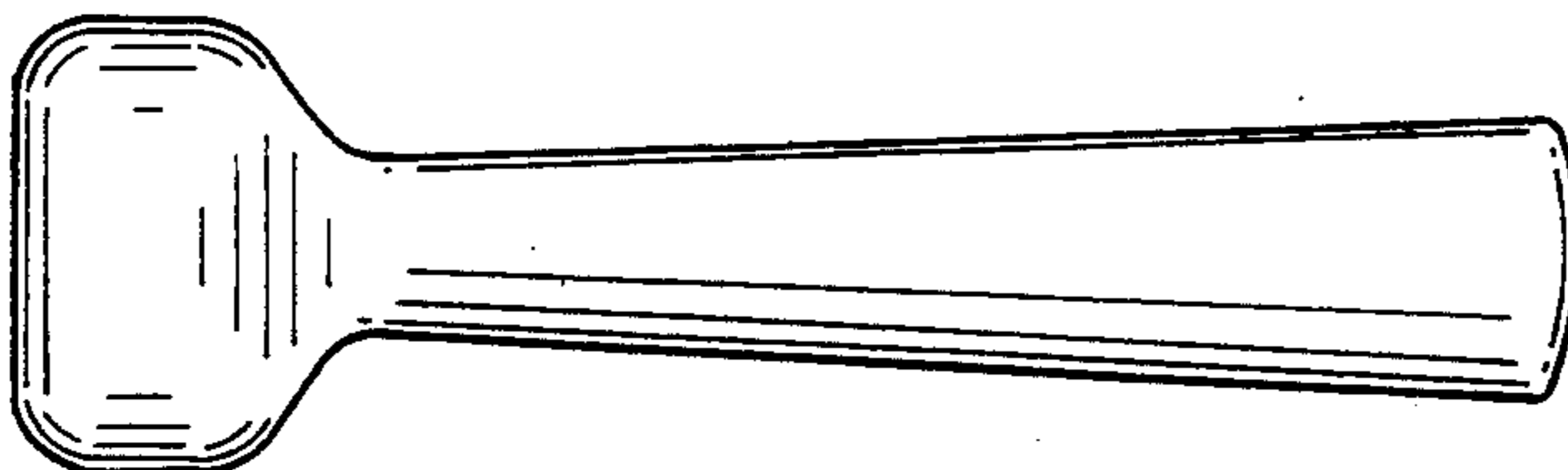


FIG. 14

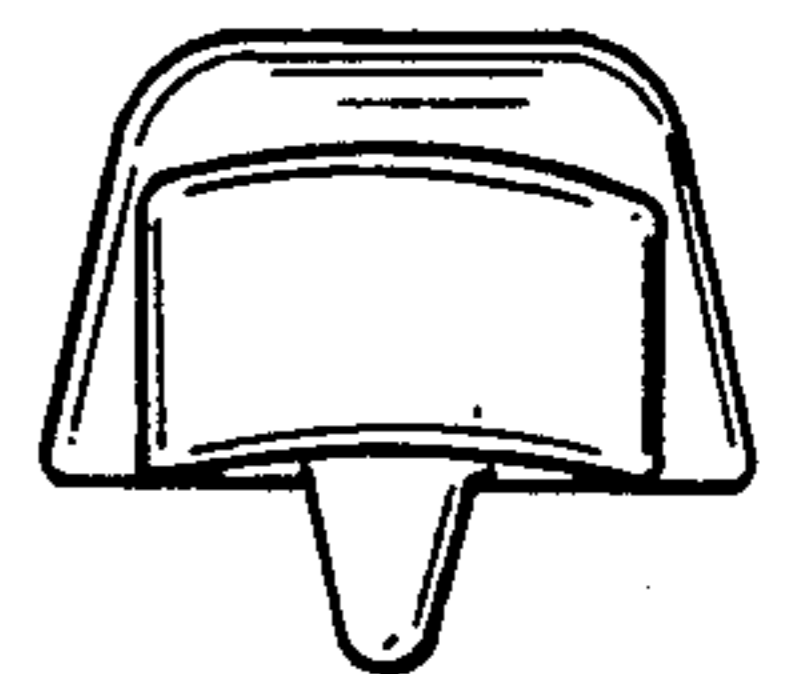


FIG. 12

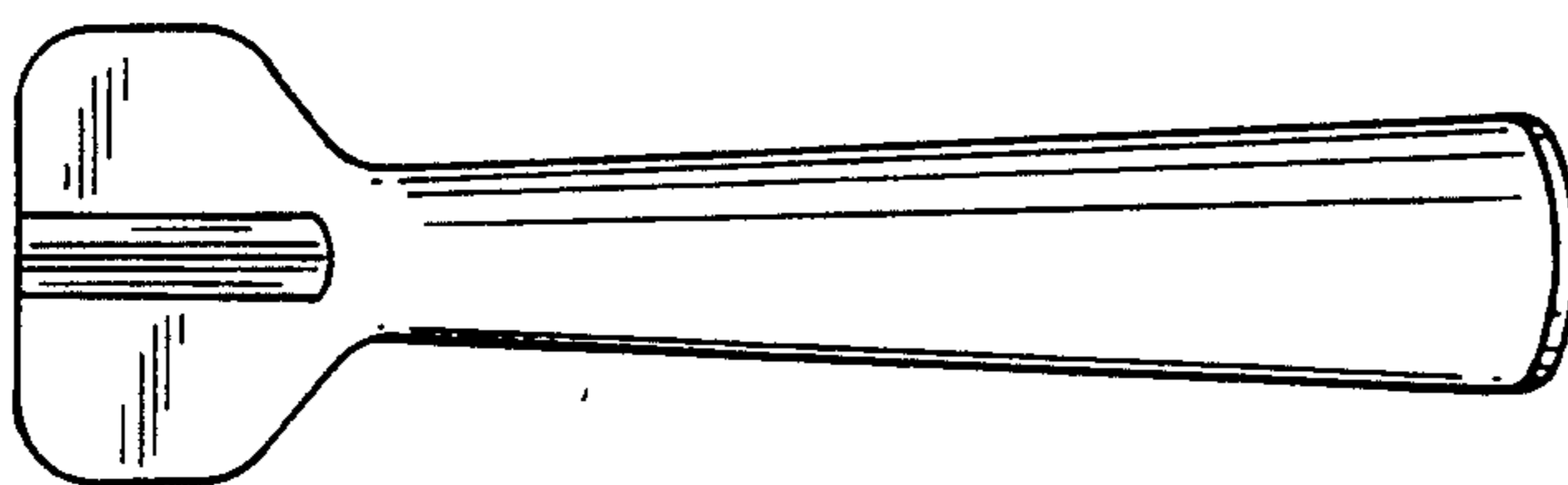


FIG. 15

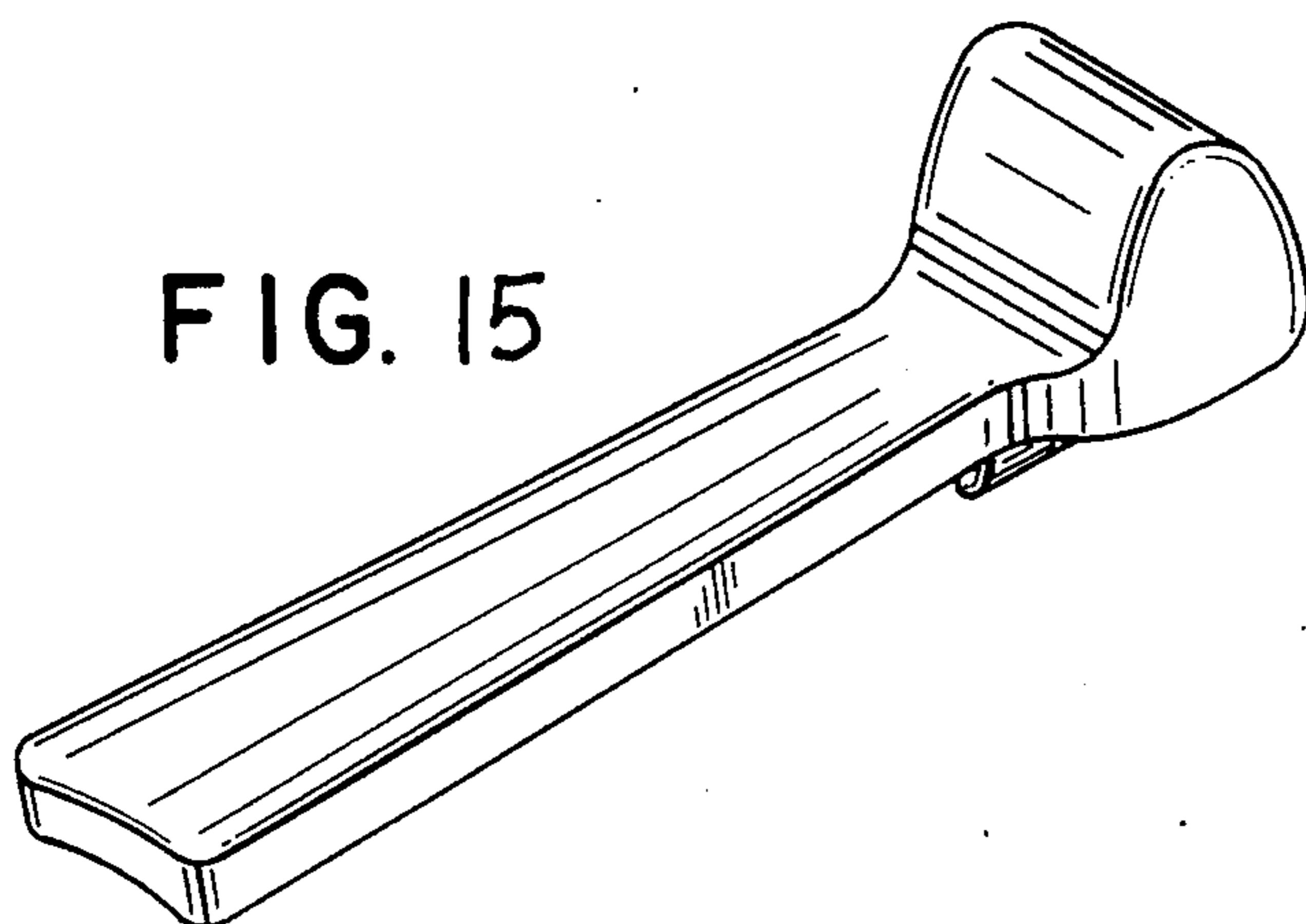


FIG. 16

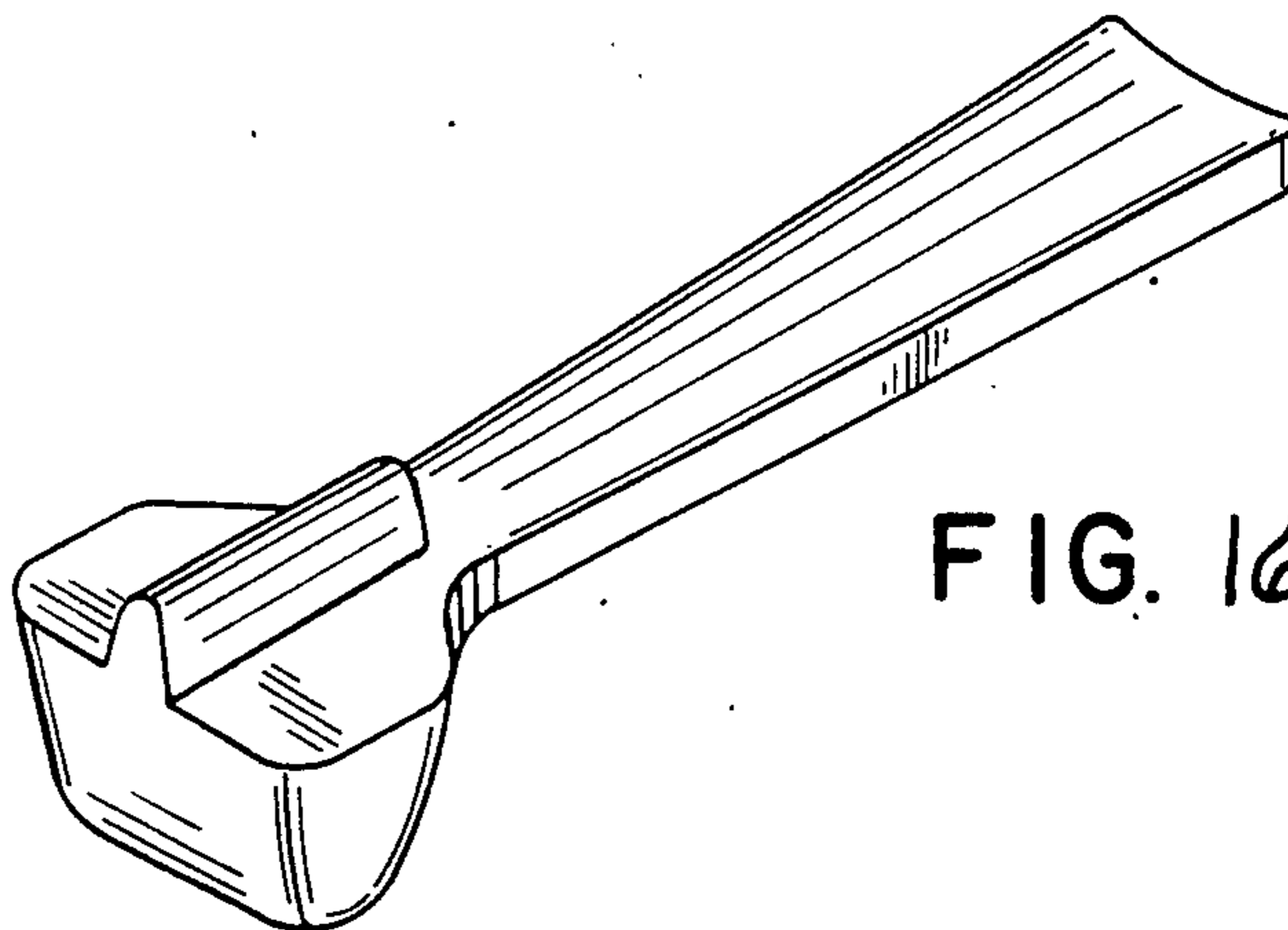


FIG. 17

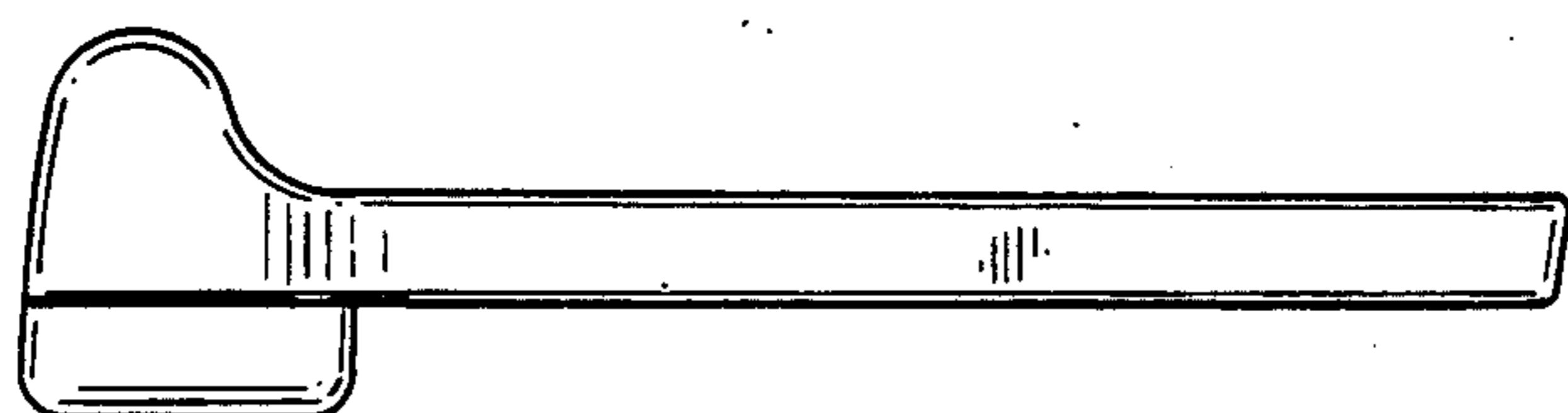


FIG. 20

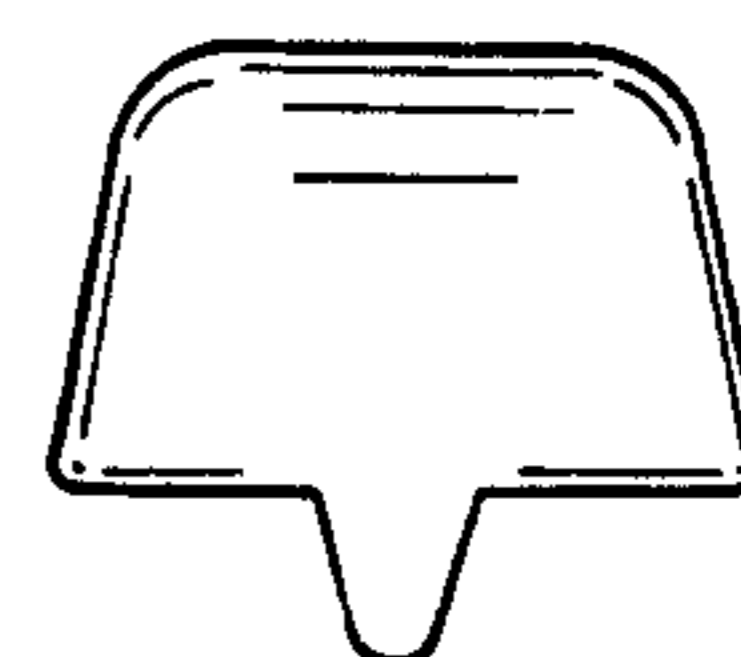


FIG. 18

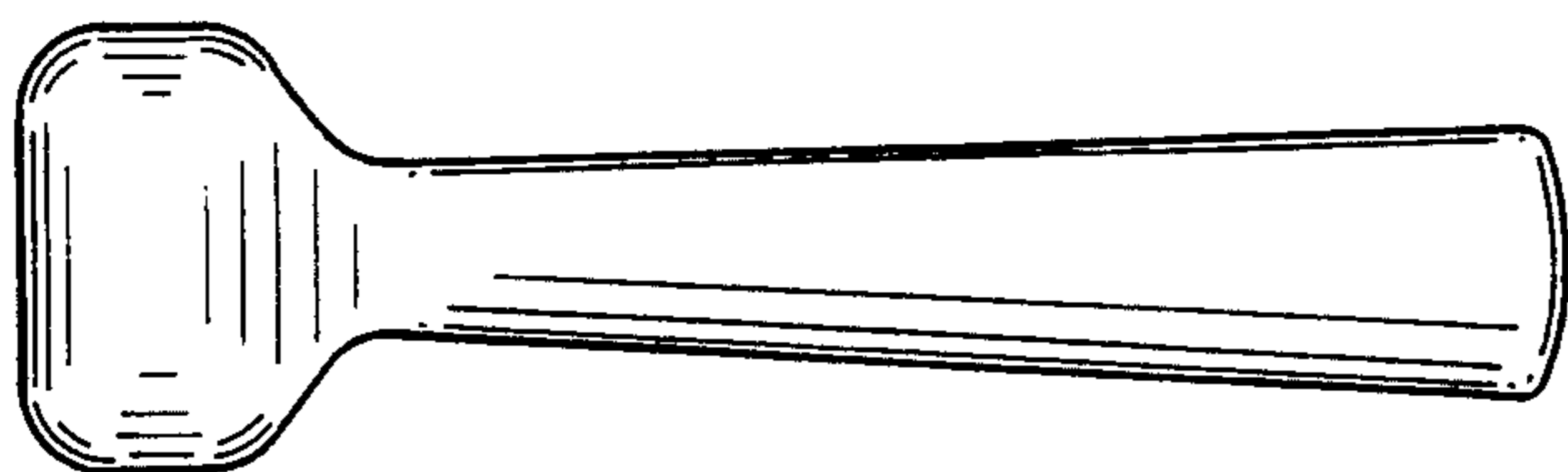


FIG. 21

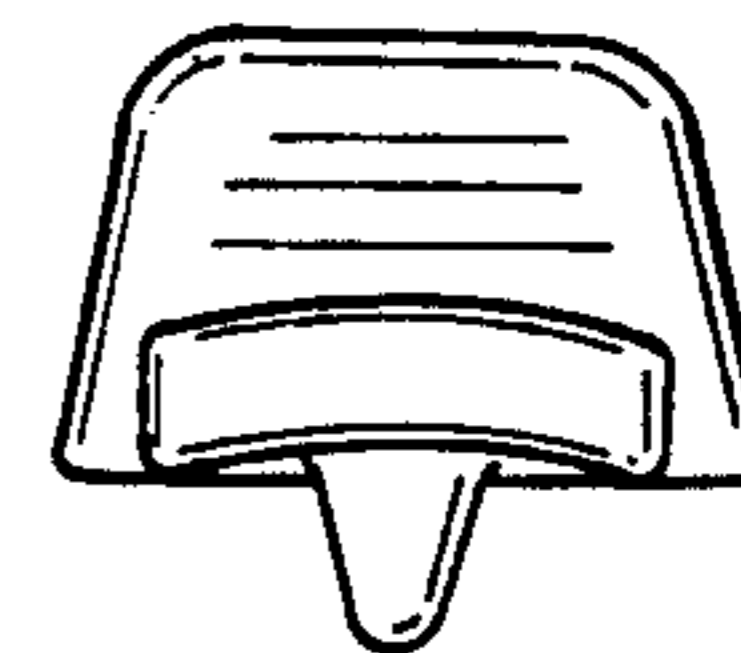
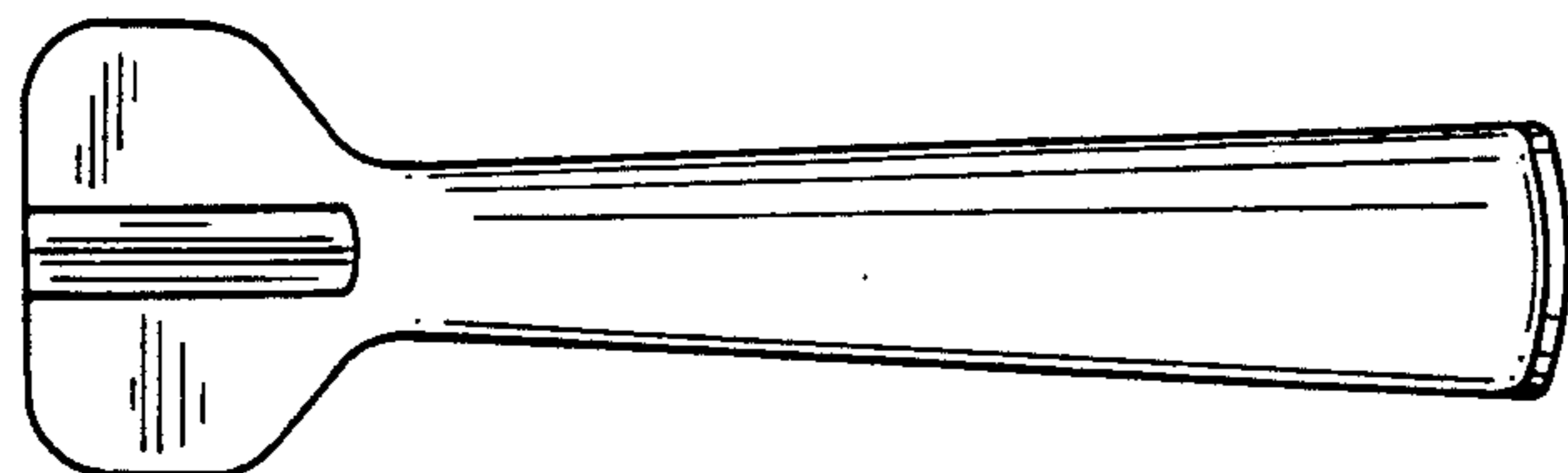


FIG. 19



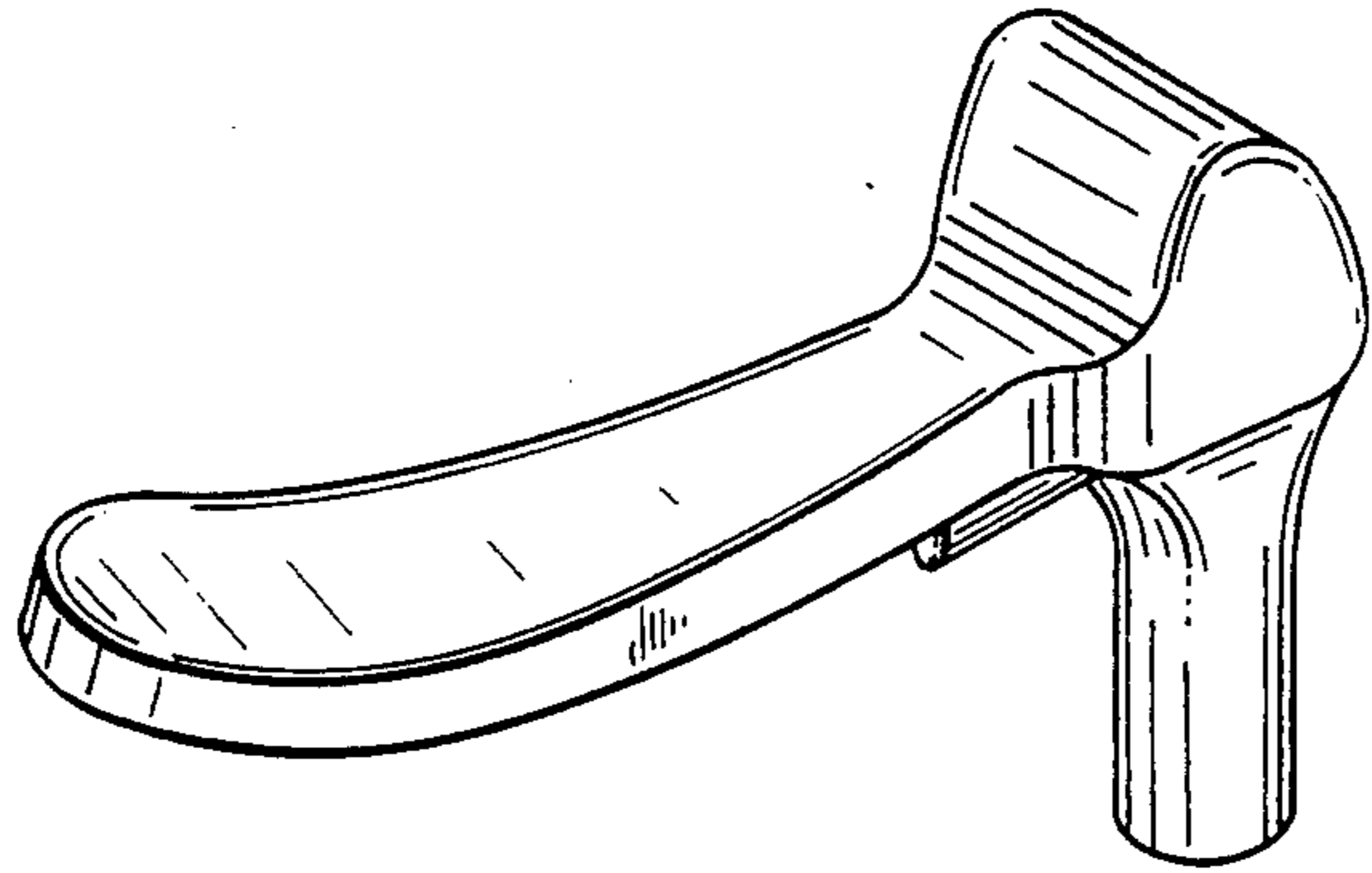


FIG. 22

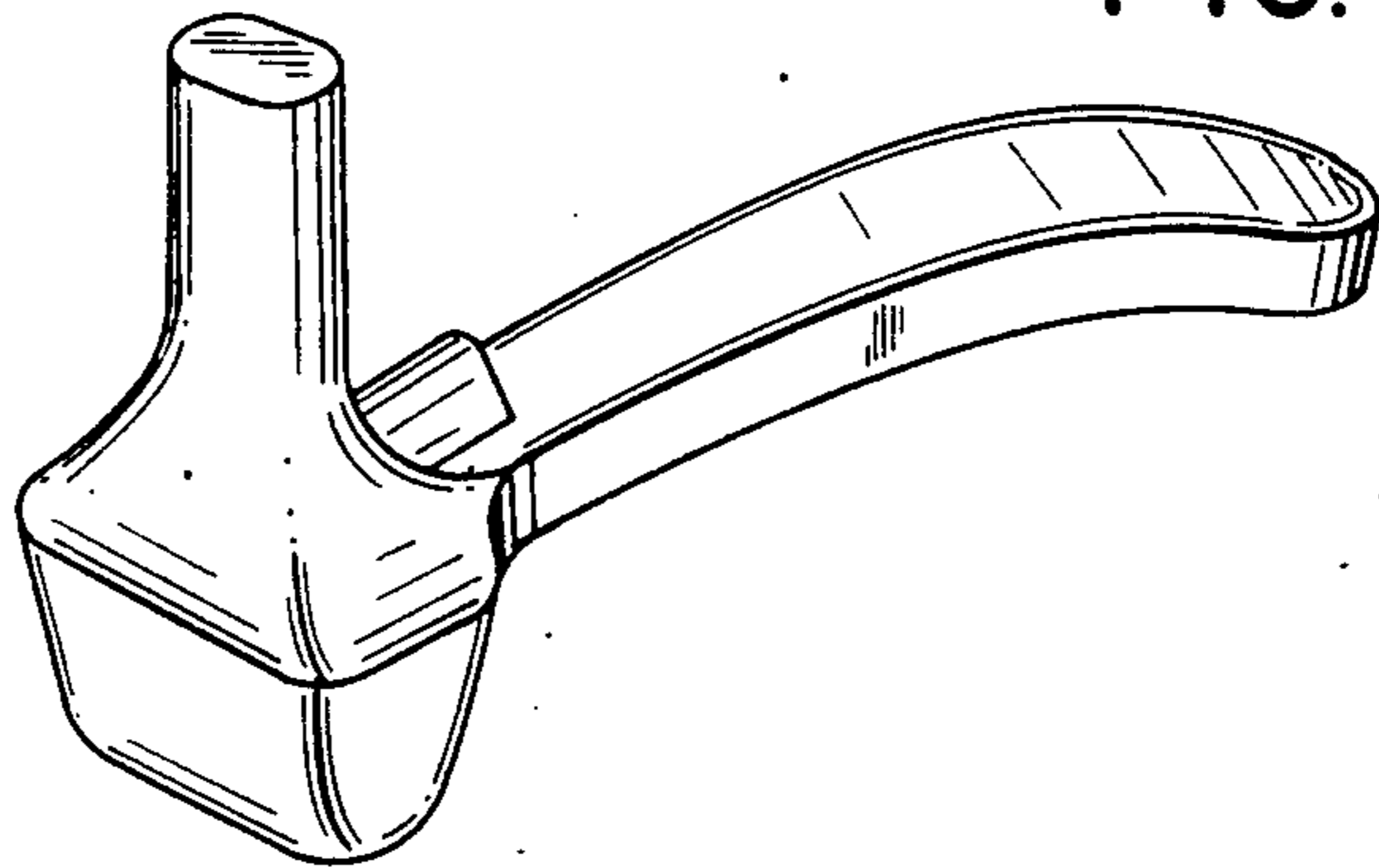


FIG. 23

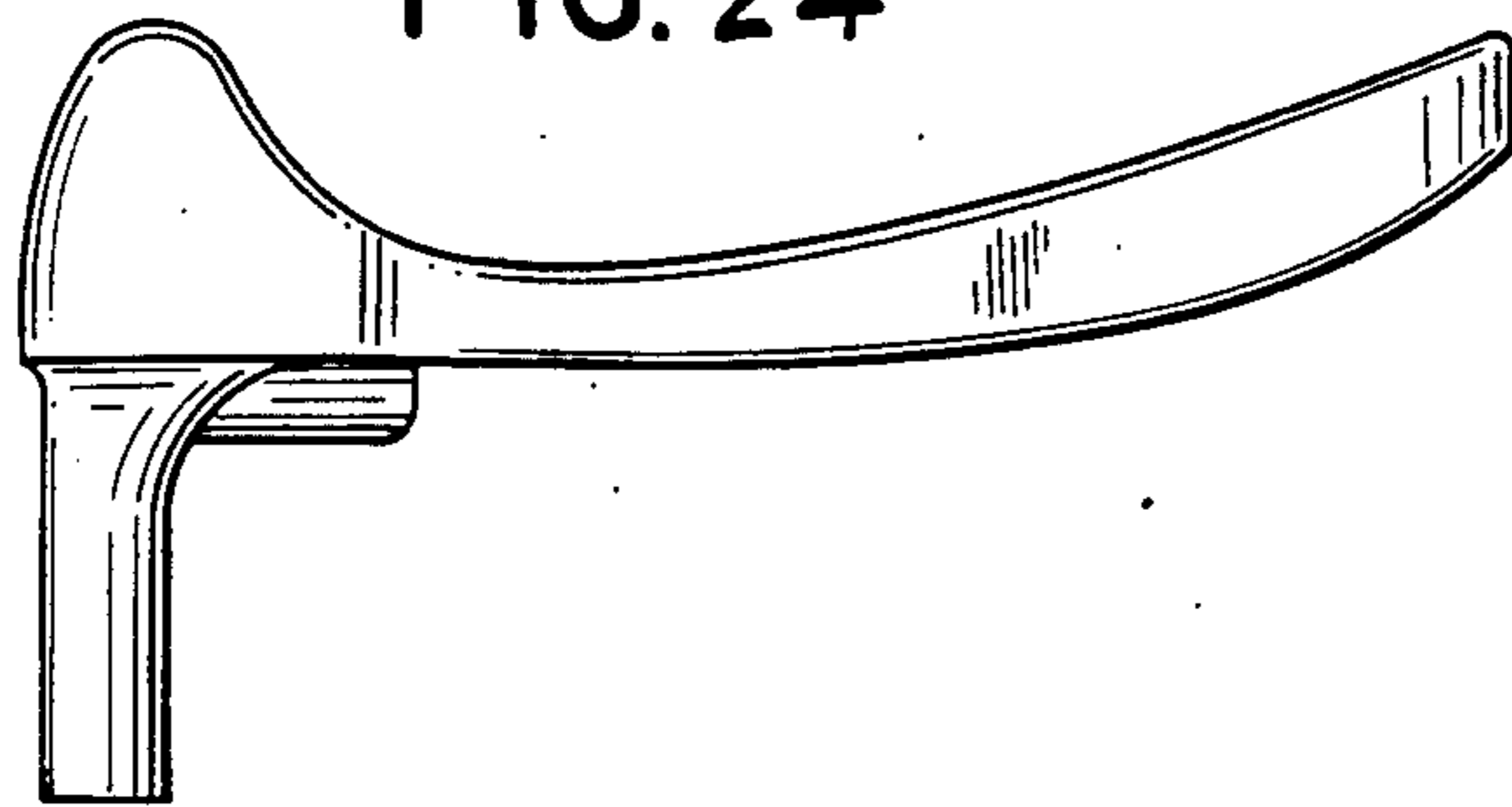


FIG. 24

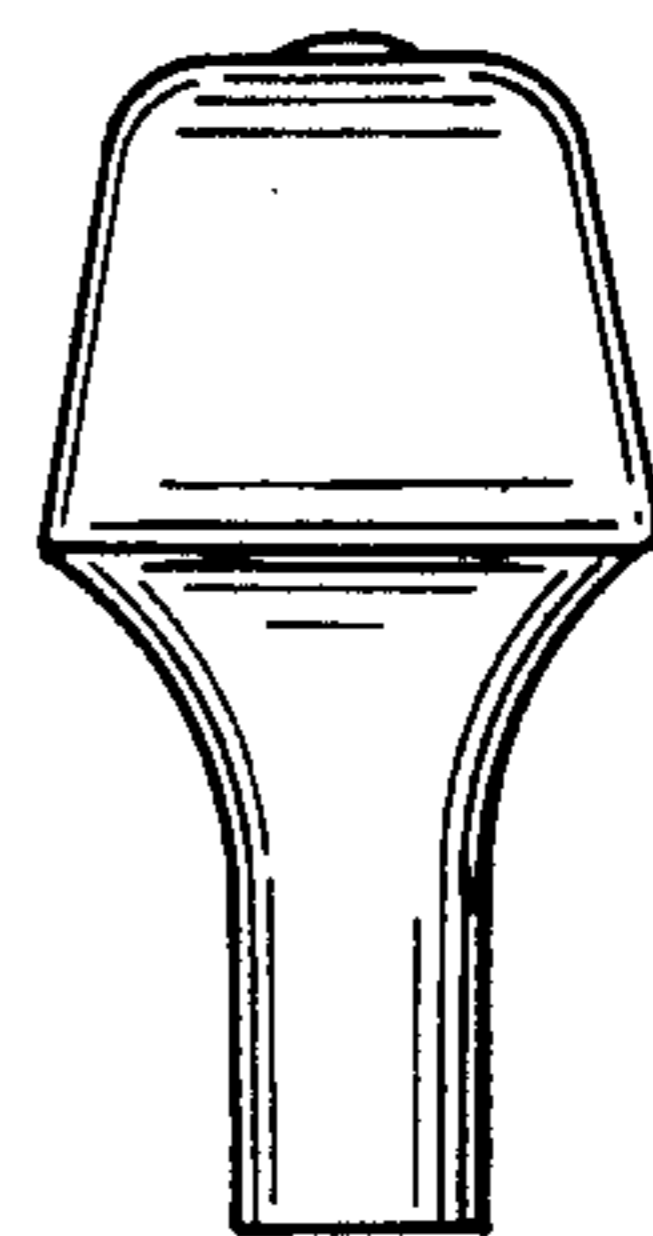


FIG. 27

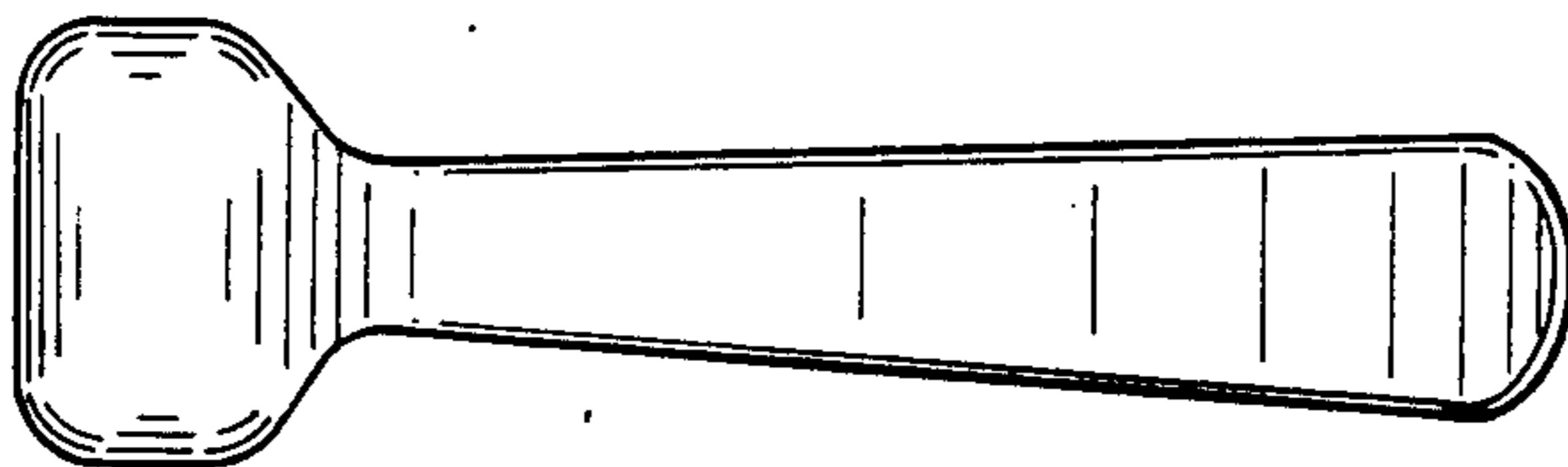


FIG. 25

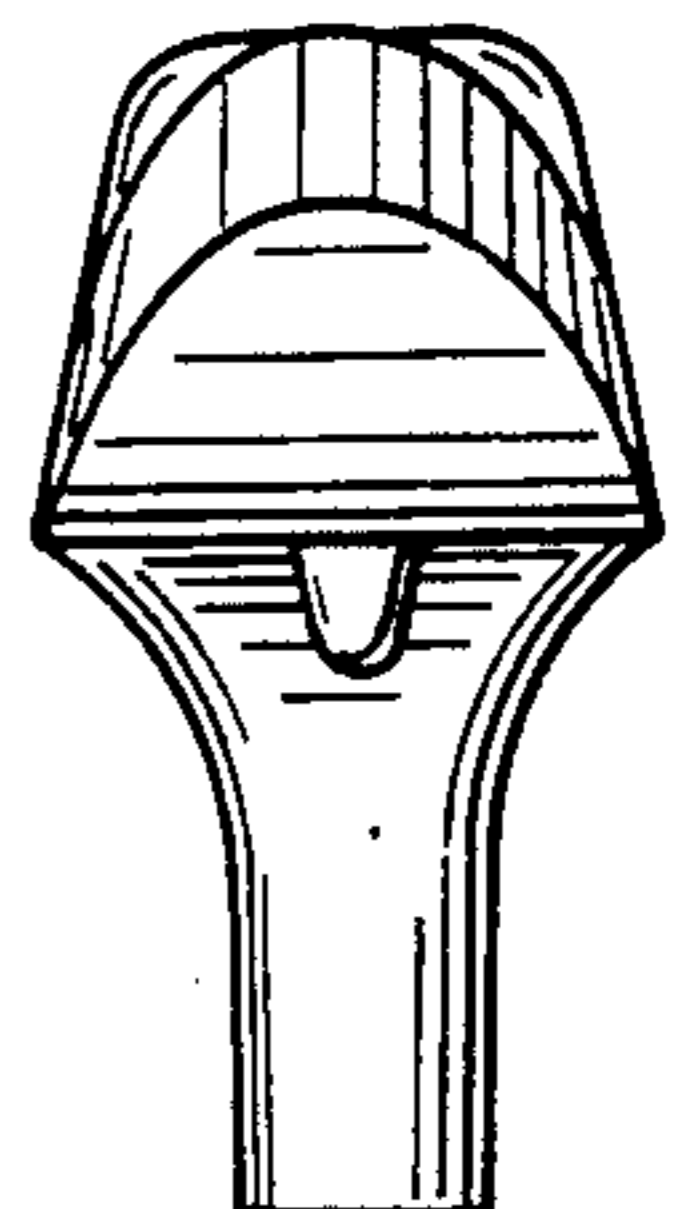


FIG. 28

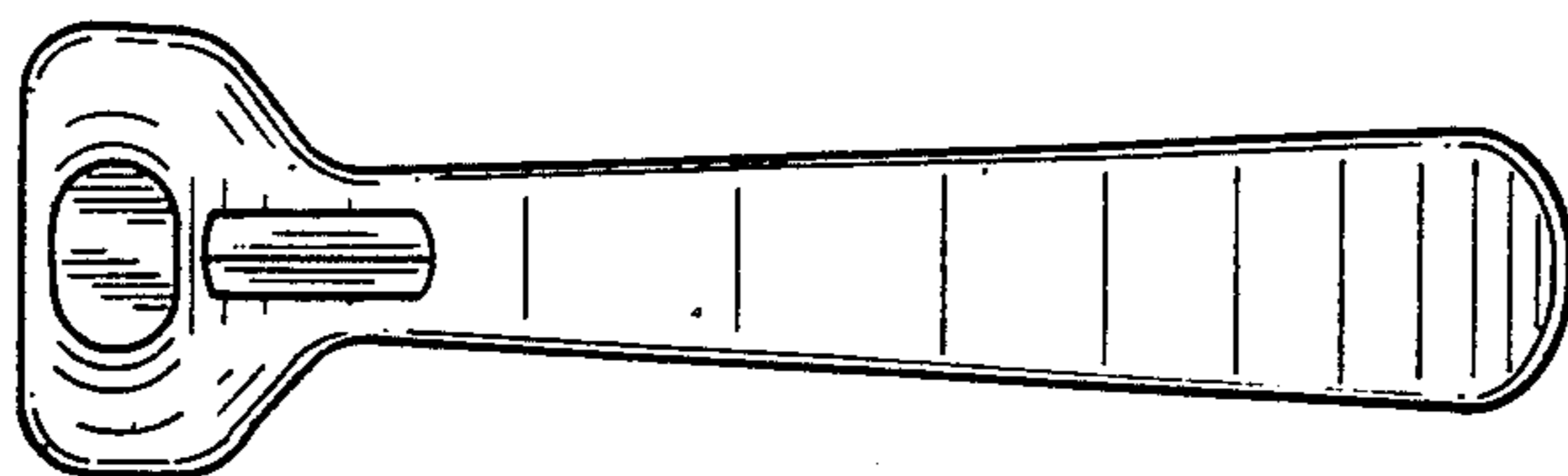


FIG. 26